

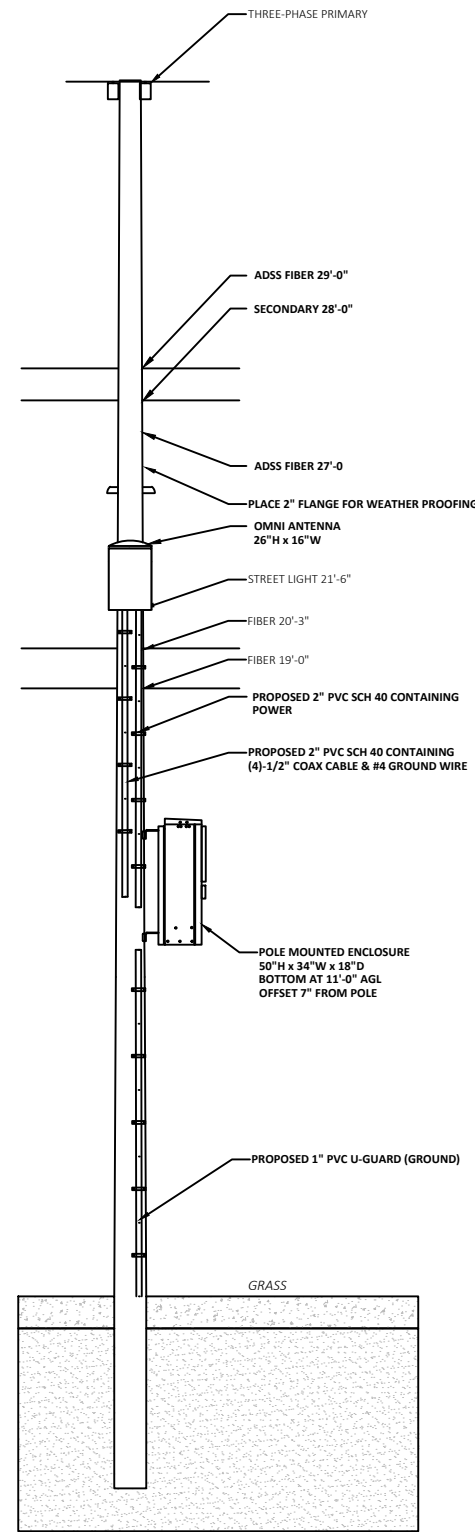
EXHIBIT X-5

SCHEDULE OF APPROVED WIRELESS FACILITIES

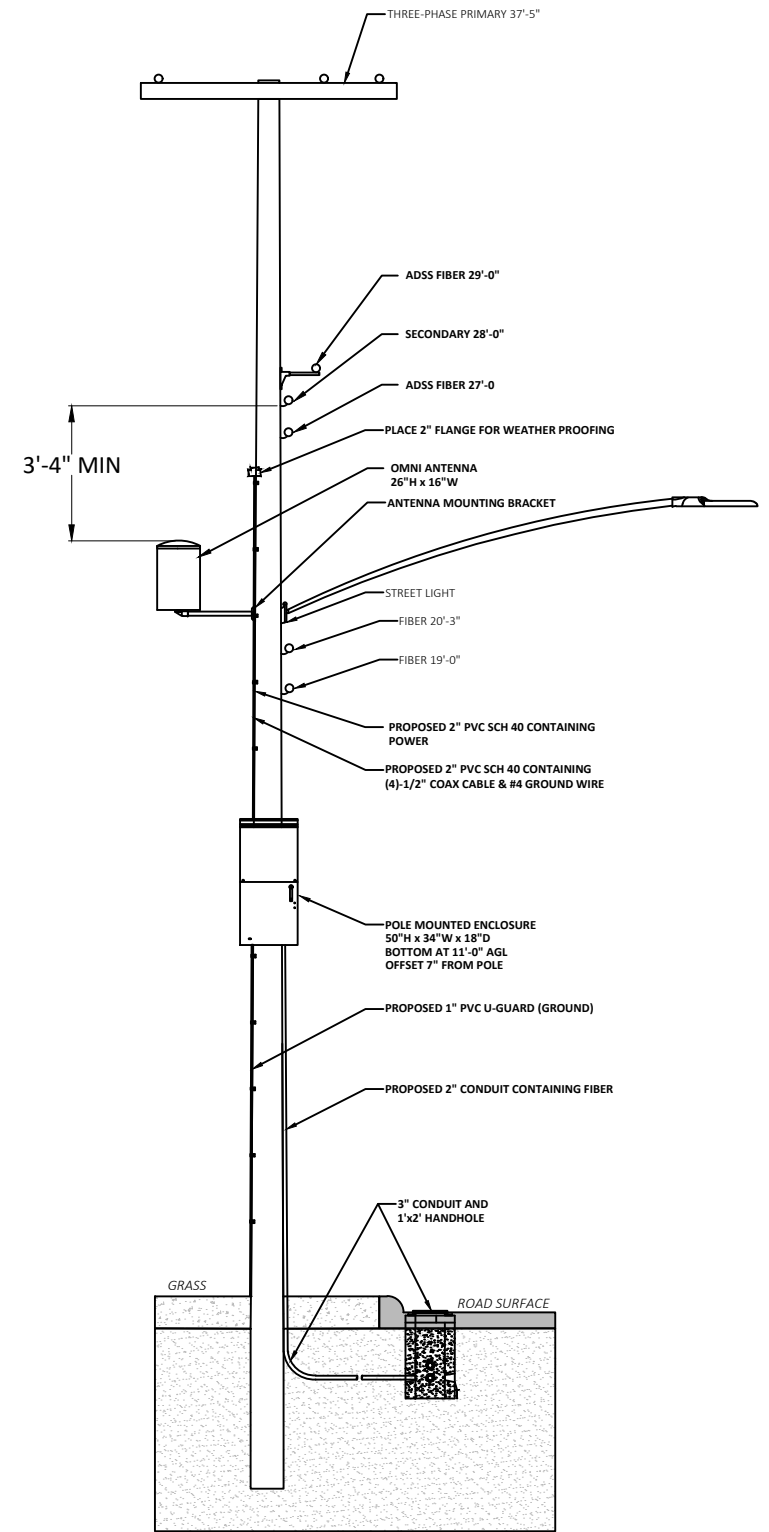
Facility Number	X-5 Wooden Utility Pole, Antenna Side Mounted
Attachment Types <i>(check all that apply and provide detail below)</i>	<input type="checkbox"/> Replacement City Pole (streetlight) <input type="checkbox"/> Replacement City Property Pole (streetlight) <input type="checkbox"/> Attach to existing City Pole (streetlight) <input type="checkbox"/> Attach to existing City Property Pole (streetlight) <input type="checkbox"/> Attach to existing City Pole (traffic signal) <input type="checkbox"/> Attach to existing City Property Pole (traffic signal) <input type="checkbox"/> Attach to existing City Pole (street furniture) <input type="checkbox"/> Attach to existing City Property Pole (street furniture) <input checked="" type="checkbox"/> Attach to Non-City Pole
Attachment Type Detail	Wooden Utility Pole, Antenna Side Mounted
Physical Description	Omni antenna (not to exceed 26”H x 16”W) will be installed, side mount, in the com zone with a mounting brackets. Remote radio head(s), power, and fiber equipment will be concealed and ventilated within a pole mounted enclosure (not to exceed 50”H x 34”W x 18”D) with the bottom of the enclosure installed at a minimum of 11’ above ground level. The enclosure will be offset 7” from the pole. Cabling will run from the pole base up to the antenna in conduit. Antenna and pole mounted enclosure will be painted to complement the pole. Replacement poles will be installed based on the existing pole’s condition.
Concealment	The antenna and related telecommunication equipment will be concealed as detailed above.
Included Documents	The following documents: A. Pole Profile including equipment specifications and ground connection details. B. Photo mock-up showing existing and proposed pole views.
RF Compliance	<input checked="" type="checkbox"/> Facility conforms to information already on file <input checked="" type="checkbox"/> RF information attached

Information	Crown Castle will attach FCC signage appropriate to the installed equipment.
Comments	

WOODEN UTILITY POLE ANTENNA SIDE MOUNTED



PROPOSED PROFILE - REAR VIEW
FROM FIELD/SIDEWALK LOOKING TOWARDS ROAD



PROPOSED PROFILE - SIDE VIEW
FROM ROADSIDE LOOKING UP ROAD

SCALE IN FEET



NOTES:

1. ALL DISTANCES, DIMENSIONS, LOCATIONS, EQUIPMENT DESIGNATIONS AND SPECIFICATIONS ARE APPROXIMATE.
2. ALL MATERIAL, COLOR & STYLE WILL MATCH CURRENTLY EXISTING MATERIALS AND WHERE NEEDED ANY RF FRIENDLY MATERIAL WILL BE PAINTED TO MATCH.
3. IT IS ASSUMED THAT ALL PROPOSED UTILITIES WILL BE ROUTED BELOW GRADE TO THE PROPOSED INSTALLATION.
4. THE PURPOSE OF THE DESIGN IS TO SHOW A CONCEPTUAL DESIGN FOR THE REPLACEMENT/MODIFICATIONS OF EXISTING LIGHT POLE. THEREFORE, THESE DESIGNS ARE INHERENTLY APPROXIMATE IN NATURE AND SHOULD NOT BE USED AS AN EXACT, SCALED ENGINEERING DRAWING.
5. POLE REPLACEMENT SPECIFICATIONS AND DIMENSIONS, INCLUDING STRUCTURAL FOUNDATIONS, WILL VARY BASED ON REQUIRED ANTENNA HEIGHTS REQUESTED BY CROWN CASTLE.
6. EQUIPMENT CLOSURE TO BE NO LARGER THAN (4'-2" Hx2'-10" Wx1'-6" D).
7. ANTENNA TO BE NO LARGER THAN 16" Øx26" H.
8. CROWN CASTLE WILL PLACE SMALL PLACARD ON POLE IDENTIFYING OWNERSHIP/CONTACT INFORMATION.
9. LED LIGHT & LUMINAIRE ARM WILL BE AT SAME HEIGHT AS EXISTING
10. PROPOSED LIGHTING WILL CONFORM TO THE CITY OF BOSTON'S LIGHTING STANDARDS.
11. LUMINAIRES WILL MATCH THE EXISTING FIXTURE UNLESS THE EXISTING FIXTURE IS A METAL HALIDE OR HIGH PRESSURE SODIUM FIXTURE. IN THESE SCENARIOS, THE FIXTURE WILL BE UPGRADED TO A CITY OF BOSTON APPROVED LED FIXTURE.

05/22/2017 N:\Engineering\Crown Castle\EXHIBIT EXAMPLES FOR CITY OF BOSTON\AA - AUTOCAD\EXHIBIT X-5.dwg

REVISIONS		
REV	DESCRIPTION	DATE

PREPARED BY: Innovative Thinking. Engineered Solutions. 21 OXFORD RD MANFIELD, MA 02048 www.ucseeng.com 1-508-337-7600	TITLE: EXHIBIT X-5 PROPOSED BOSTON, MA
PREPARED FOR: 	POLE INFO: WOOD POLE
SURVEYED BY: UCS	PRINT NO: 1 OF 2
DRAWN BY: AW	SCALE:
ISSUE DATE: 4/27/17	AS BUILT: AS SHOWN

WOODEN UTILITY POLE ANTENNA SIDE MOUNTED





EXISTING PHOTOGRAPHIC VIEW



PROPOSED PHOTOGRAPHIC SIMULATION

REVISIONS

REV	DESCRIPTION	DATE

PREPARED BY:  21 OXFORD RD MANSFIELD, MA 02048 www.ucseeng.com 1-508-337-7600	TITLE: EXHIBIT X-5 PROPOSED BOSTON, MA
PREPARED FOR: 	POLE INFO: WOOD POLE
SURVEYED BY: UCS	PRINT NO: 2 OF 2
DRAWN BY: AW	SCALE:
ISSUE DATE: 4/27/17	AS BUILT: AS SHOWN