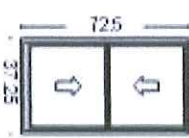


Line #	Location:	Attributes
--------	-----------	------------

10 1ST FLOOR

**Architect, Double Hung, 37.25 X 72.5**

Item Price	Qty	Ext'd Price
\$662.92	2	\$1,325.84



PK # 816

Viewed From Exterior

1: Non-Standard Size Non-Standard Size Double Hung, Equal  
 Frame Size: 37 1/4 X 72 1/2  
 General Information: Standard, Luxury, Wood, Pine, 4 3/8", 4 3/16"  
 Exterior Color / Finish: Primed, Primed Wood  
 Interior Color / Finish: Primed Interior  
 Sash / Panel: Standard  
 Glass: Insulated Dual Low-E Advanced Low-E Insulating Glass Argon Non High Altitude  
 Hardware Options: Spoon-Style Lock, White, No Limited Opening Hardware, No Sash Lift  
 Screen: No Screen  
 Grille: No Grille  
 Wrapping Information: No Exterior Trim, No Interior Trim, 4 3/16", 4 3/8", Factory Applied, Pella Recommended Clearance, Perimeter Length = 220", Glazing Pressure = 60.

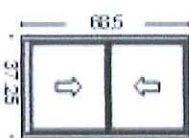
Rough Opening: 38" X 73.25"

Line #	Location:	Attributes
--------	-----------	------------

15 2ND FLOOR

**Architect, Double Hung, 37.25 X 68.5**

Item Price	Qty	Ext'd Price
\$645.53	2	\$1,291.06



PK # 816

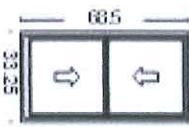
Viewed From Exterior

1: Non-Standard Size Non-Standard Size Double Hung, Equal  
 Frame Size: 37 1/4 X 68 1/2  
 General Information: Standard, Luxury, Wood, Pine, 4 3/8", 4 3/16"  
 Exterior Color / Finish: Primed, Primed Wood  
 Interior Color / Finish: Primed Interior  
 Sash / Panel: Standard  
 Glass: Insulated Dual Low-E Advanced Low-E Insulating Glass Argon Non High Altitude  
 Hardware Options: Spoon-Style Lock, White, No Limited Opening Hardware, No Sash Lift  
 Screen: No Screen  
 Grille: No Grille  
 Wrapping Information: No Exterior Trim, No Interior Trim, 4 3/16", 4 3/8", Factory Applied, Pella Recommended Clearance, Perimeter Length = 212", Glazing Pressure = 65.

Rough Opening: 38" X 68.25"

Line #	Location:	Attributes	Item Price	Qty	Ext'd Price
20	2ND FLOOR - CLOSET		\$617.56	1	\$617.56

**Architect, Double Hung, 33.25 X 68.5**

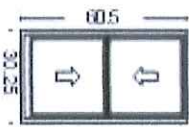


Viewed From Exterior

PK # 816  
 1: Non-Standard Size Non-Standard Size Double Hung, Equal  
 Frame Size: 33 1/4 X 68 1/2  
 General Information: Standard, Luxury, Wood, Pine, 4 3/8", 4 3/16"  
 Exterior Color / Finish: Primed, Primed Wood  
 Interior Color / Finish: Primed Interior  
 Sash / Panel: Standard  
 Glass: Insulated Dual Low-E Advanced Low-E Insulating Glass Argon Non High Altitude  
 Hardware Options: Spoon-Style Lock, White, No Limited Opening Hardware, No Sash Lift  
 Screen: No Screen  
 Grille: No Grille,  
 Wrapping Information: No Exterior Trim, No Interior Trim, 4 3/16", 4 3/8", Factory Applied, Pella Recommended Clearance, Perimeter Length = 204",  
 Glazing Pressure = 75.

Line #	Location:	Attributes
25	3RD FLOOR	

**Architect, Double Hung, 30.25 X 60.5**



Viewed From Exterior

PK # 816  
 1: Non-Standard Size Non-Standard Size Double Hung, Equal  
 Frame Size: 30 1/4 X 60 1/2  
 General Information: Standard, Luxury, Wood, Pine, 4 3/8", 4 3/16"  
 Exterior Color / Finish: Primed, Primed Wood  
 Interior Color / Finish: Primed Interior  
 Sash / Panel: Standard  
 Glass: Insulated Dual Low-E Advanced Low-E Insulating Glass Argon Non High Altitude  
 Hardware Options: Spoon-Style Lock, White, No Limited Opening Hardware, No Sash Lift  
 Screen: No Screen  
 Grille: No Grille,  
 Wrapping Information: No Exterior Trim, No Interior Trim, 4 3/16", 4 3/8", Factory Applied, Pella Recommended Clearance, Perimeter Length = 182",  
 Glazing Pressure = 90.

Rough Opening: 31" X 61.25"

Item Price	Qty	Ext'd Price
\$569.77	2	\$1,139.54

For more information regarding the finishing, maintenance, service and warranty of all Pella® products, visit the Pella® website at [www.pella.com](http://www.pella.com)

Customer: R. O'Connor Design-Build LLC

Project Name: 111 St Botolph Street Front

Order Number: 185

Quote Number: 8216376

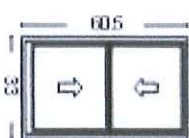
Line # Location:

30 3RD FLOOR - LAUNDRY

Attributes

**Architect, Double Hung, 33 X 60.5**

Item Price	Qty	Ext'd Price
\$578.46	1	\$578.46

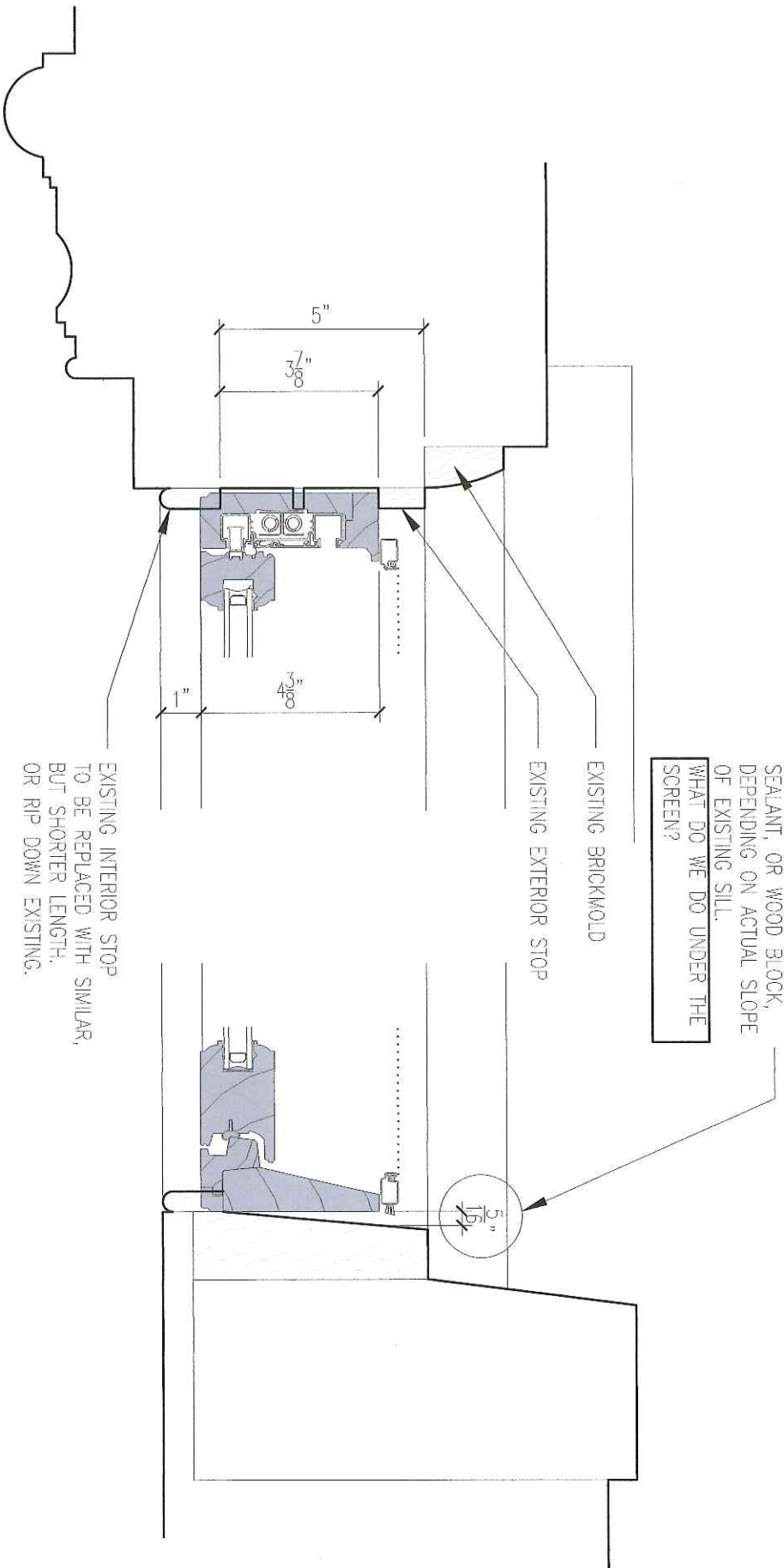


PK # 816

Viewed From Exterior

- 1: Non-Standard Size Non-Standard Size Double Hung, Equal
- Frame Size: 33 X 60 1/2
- General Information: Standard, Luxury, Wood, Pine, 4 3/8", 4 3/16"
- Exterior Color / Finish: Primed, Primed Wood
- Interior Color / Finish: Primed Interior
- Sash / Panel: Standard
- Glass: Insulated Dual Low-E Advanced Low-E Insulating Glass Argon Non High Altitude
- Hardware Options: Spoon-Style Lock, White, No Limited Opening Hardware, No Sash Lift
- Screen: No Screen
- Grille: No Grille.
- Wrapping Information: No Exterior Trim, No Interior Trim, 4 3/16", 4 3/8", Factory Applied, Pella Recommended Clearance, Perimeter Length = 187", Glazing Pressure = 85.

Rough Opening: 33 - 3/4" X 61 - 1/4"



SEALANT, OR WOOD BLOCK,  
 DEPENDING ON ACTUAL SLOPE  
 OF EXISTING SILL.  
 WHAT DO WE DO UNDER THE  
 SCREEN?

**JAMB**

**SILL**

BASED ON PELLA  
 WOOD EXTERIOR LX  
 DOUBLE HUNG

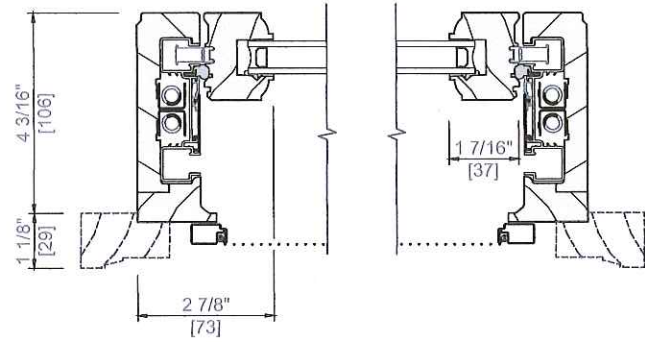
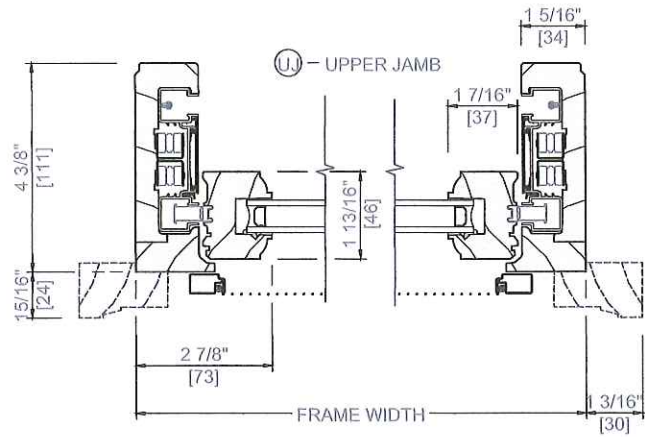
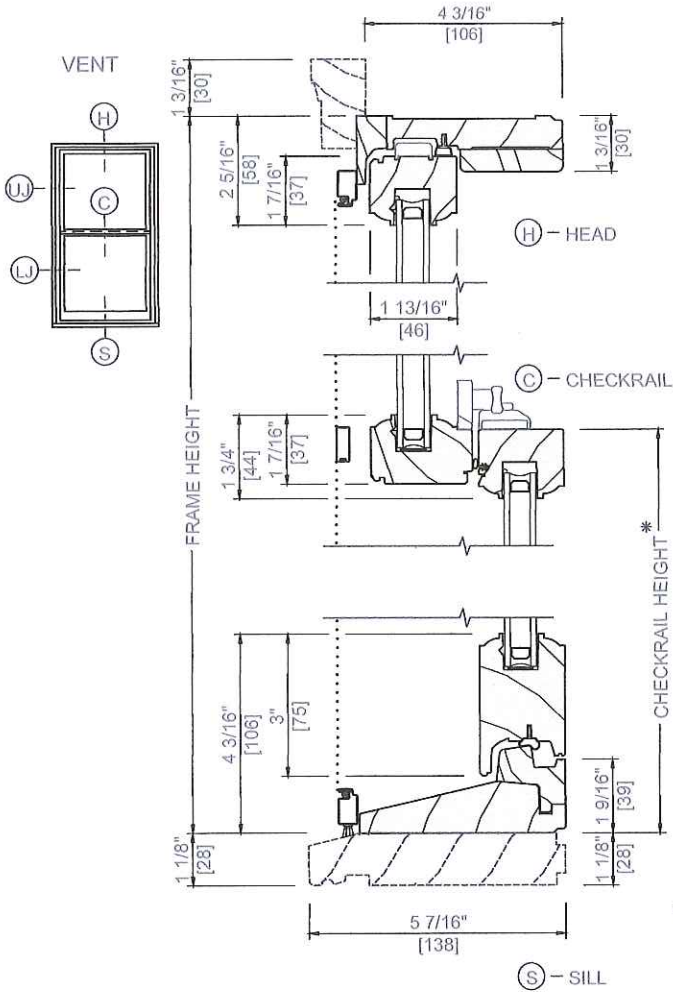
EXISTING INTERIOR STOP  
 TO BE REPLACED WITH SIMILAR,  
 BUT SHORTER LENGTH,  
 OR RIP DOWN EXISTING.



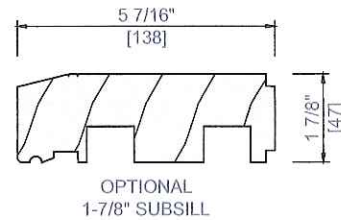
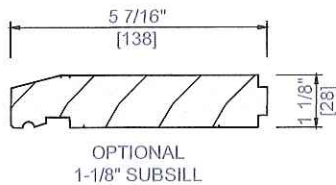
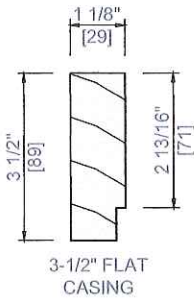
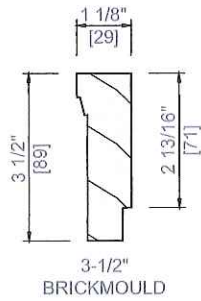
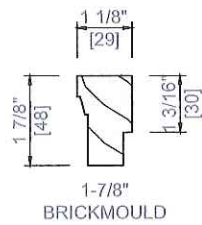


DOUBLE-HUNG

**UNIT SECTIONS**  
Wood Exterior  
LX Single- and Double-Hung



\* Dimension required for ordering units with unequal sash.



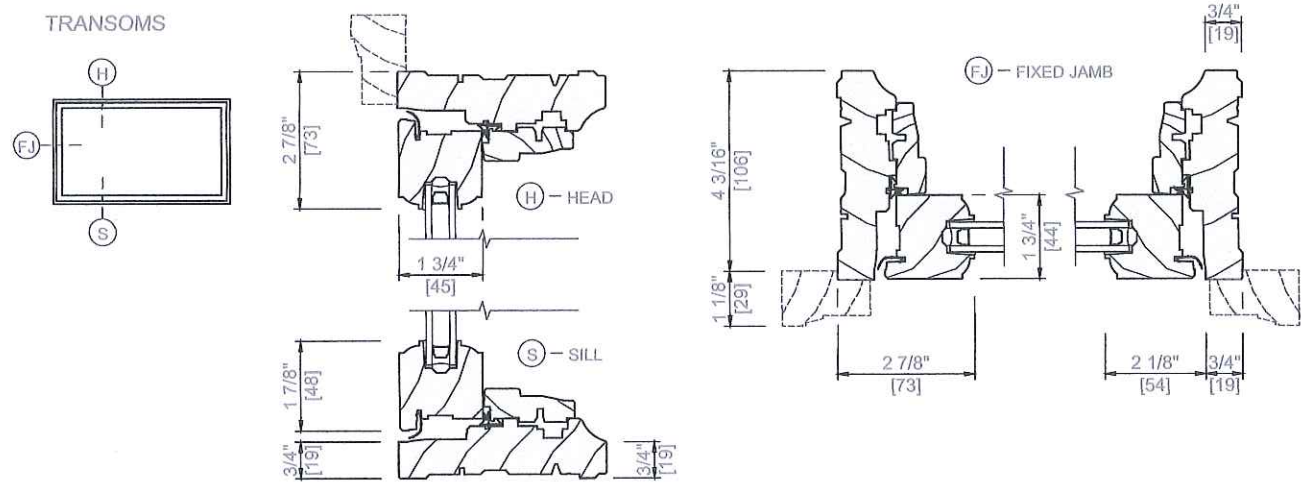
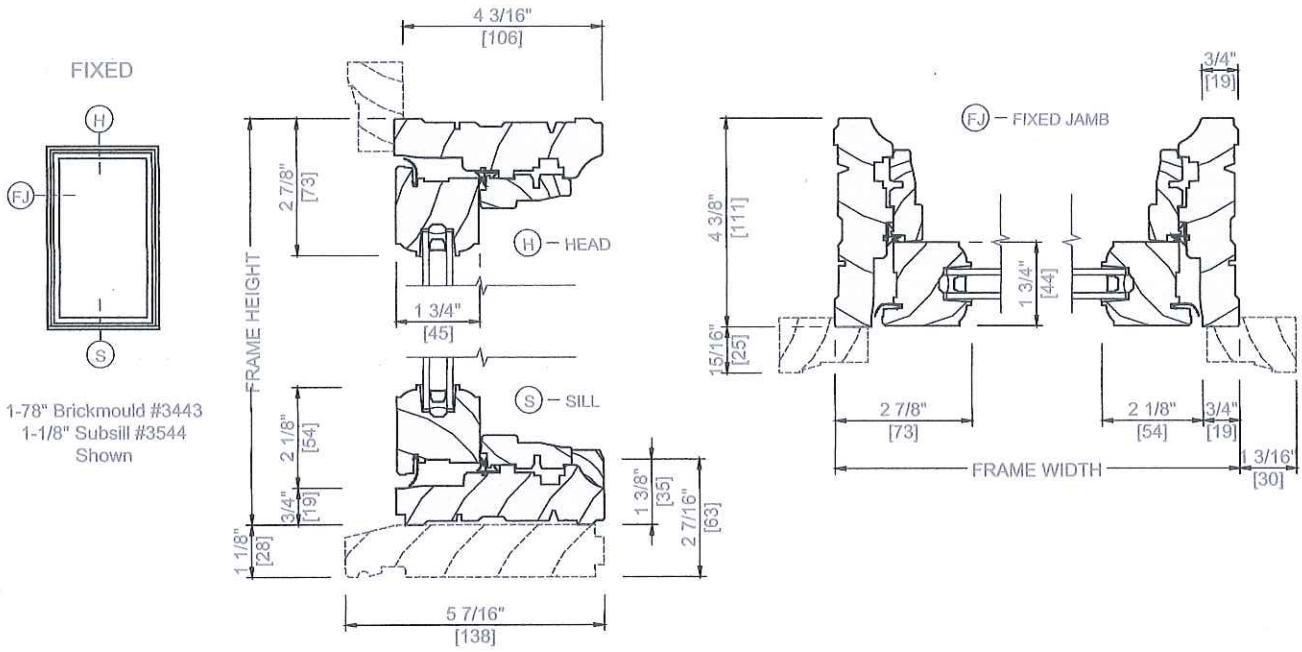
Scale 3" = 1' 0"  
All dimensions are approximate.



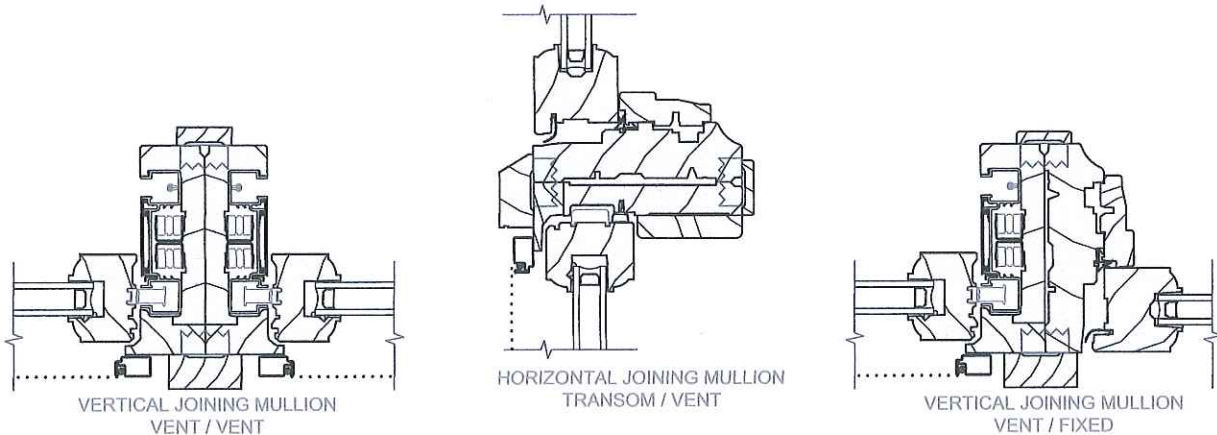
DOUBLE-HUNG

UNIT SECTIONS

Wood Exterior  
LX Fixed and Transoms



TYPICAL JOINING MULLIONS



Scale 3" = 1' 0"

All dimensions are approximate.

See Installation and Performance at [www.PellaADM.com](http://www.PellaADM.com) for mullion limitations and reinforcing requirements.



