

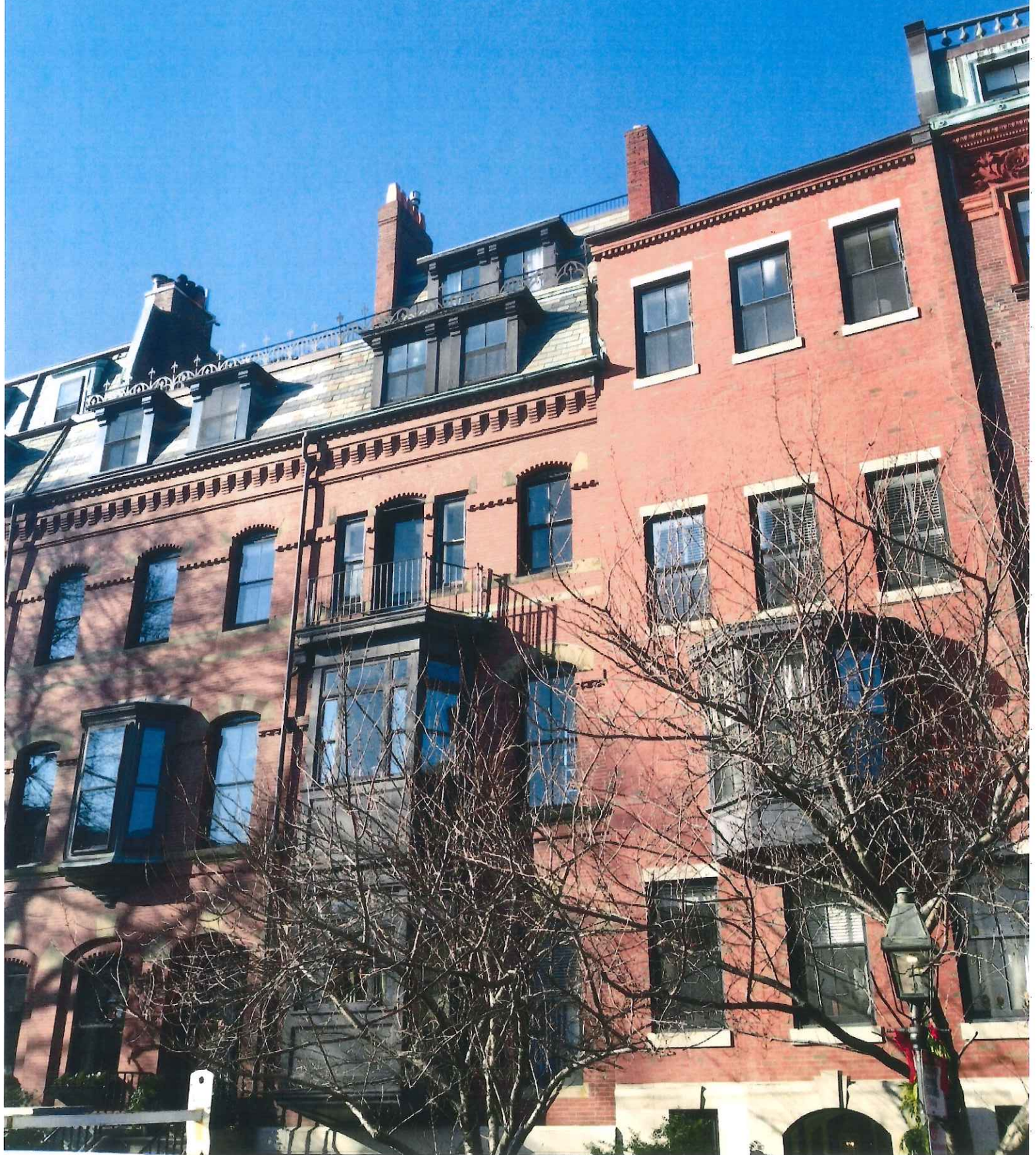
Mark Porter
33 Brommer Street
Boston, MA 02108
Historic photo



Mark Porter
33 Brimmer Street
Boston, MA 02108
Front elevation



Mark Porter
33 Brimmer Street
Boston, MA 02108
Another view



Mark Porter
33 Brimmer Street
Boston, MA 02109
Surrounding buildings
Front elevation





Mark Porter
33 Brimmer Street
Boston, MA 02108
photo of deterioration



Mark Porter
33 Brimmer Street
Boston, MA 02108
brick mold photo

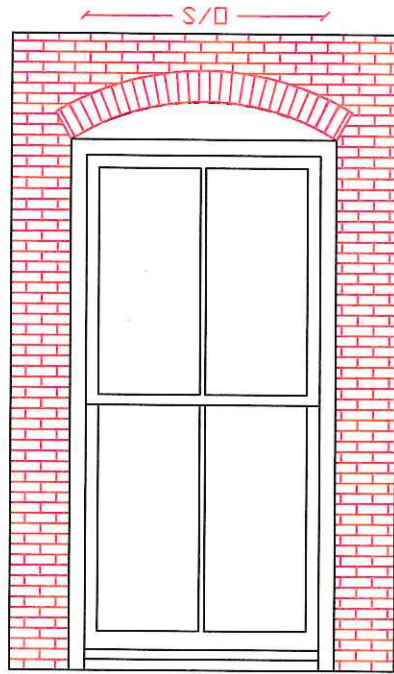


Mark Pirtler
33 Brimmer Street
Boston, MA 02108
Close up of 2/2 - straight



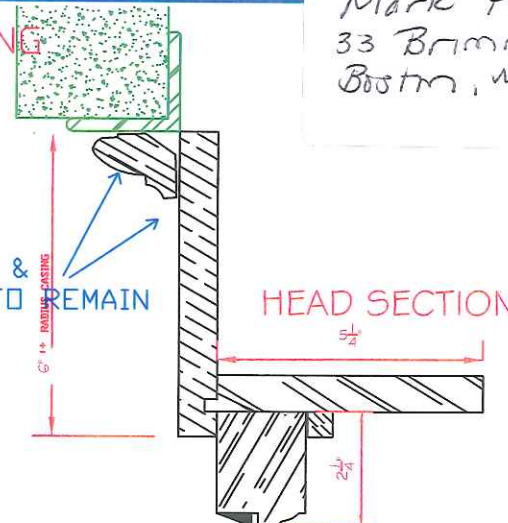
SSB WT & CHORD SASH - EXISTING CONDITIONS DRAWING

Mark Porter
33 Brimmer Street
Boston, MA 02108

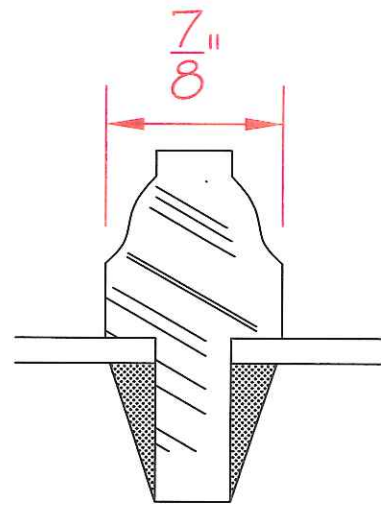


S/O
S/O

EXISTING CSG & STAFF BEAD TO REMAIN

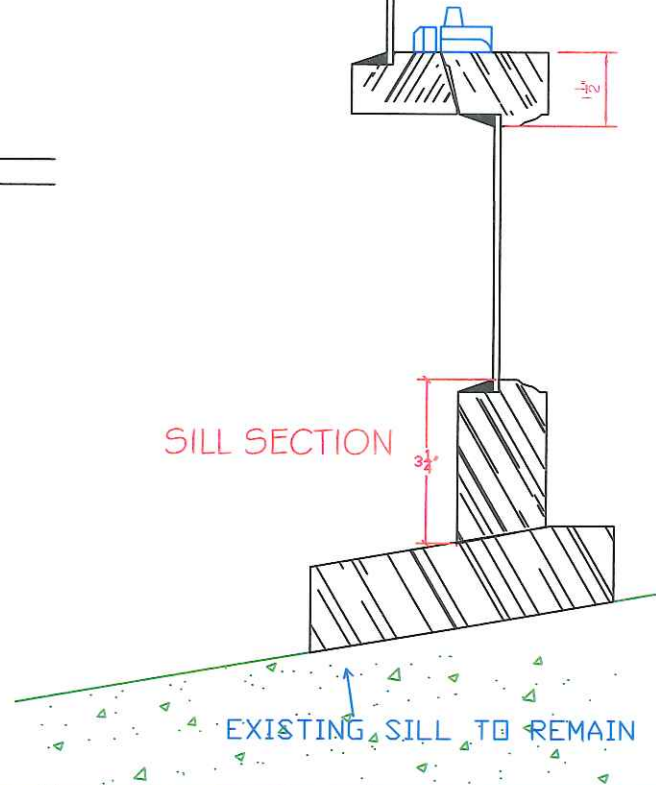


HEAD SECTION



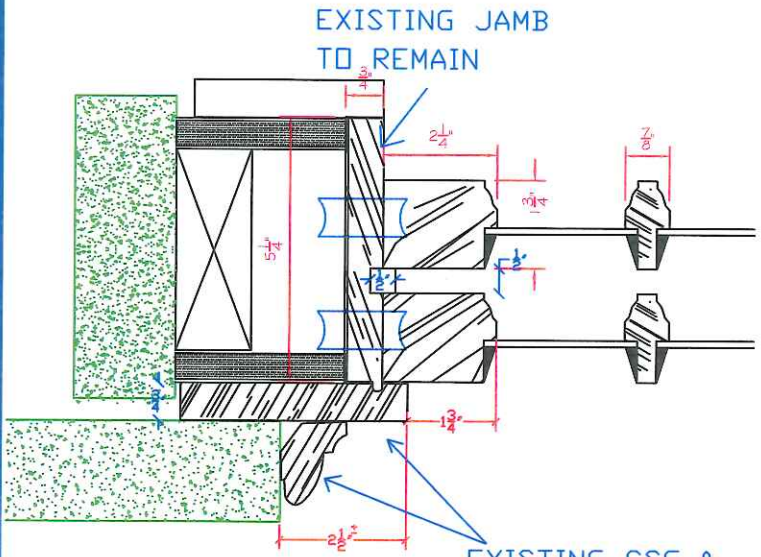
T.D.L. BAR
FULL SCALE

SILL SECTION



EXISTING SILL TO REMAIN

EXISTING JAMB
TO REMAIN

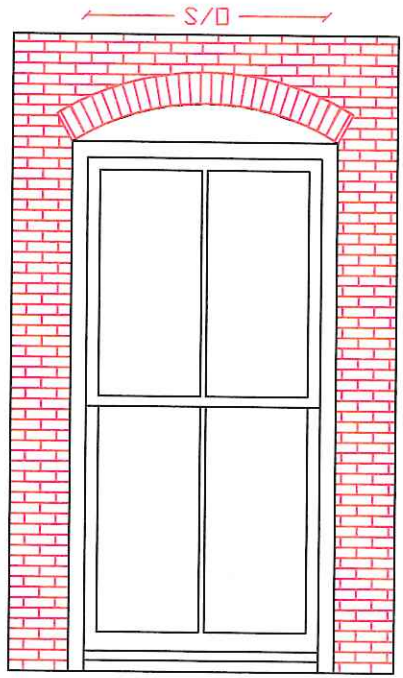


EXISTING CSG & STAFF BEAD TO REMAIN

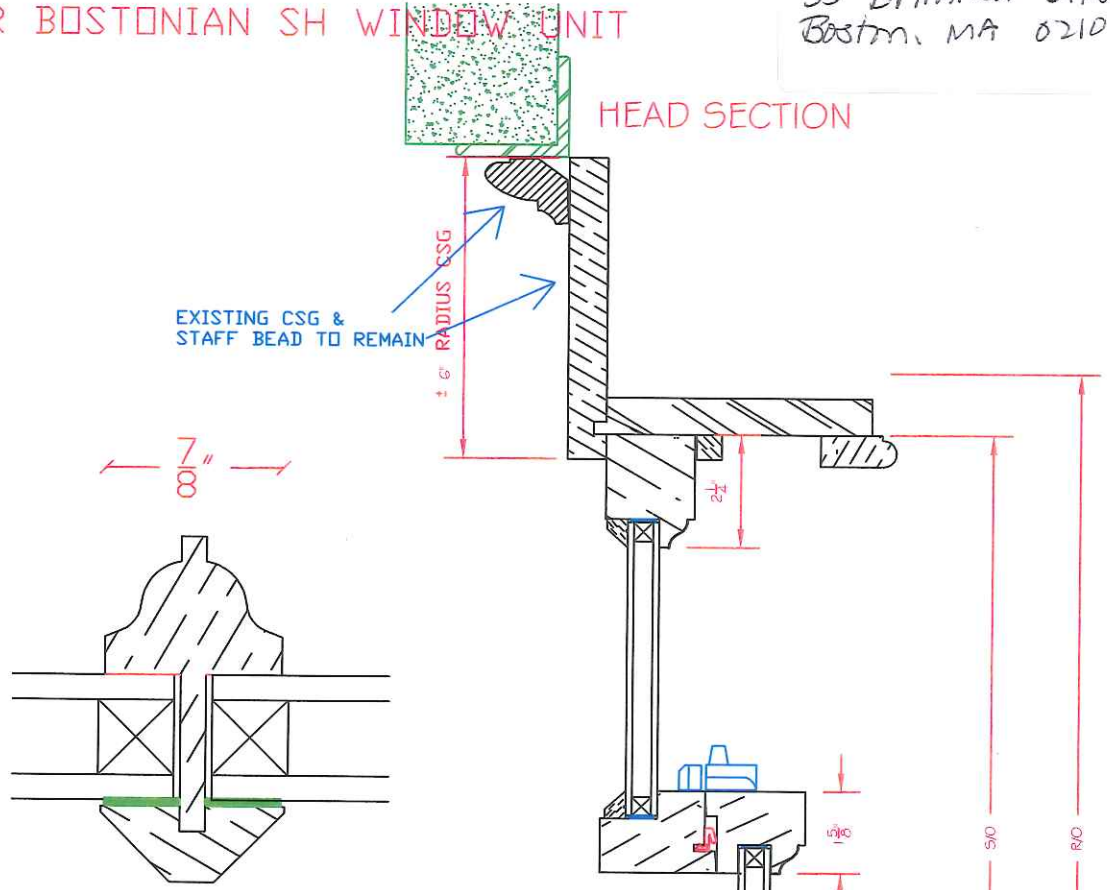
DEALER: JB SASH & DOOR CO., INC.
NUMBER: R.L.B.
DATE: 05/25/16
DRAWN: R.L.B.
CHECK:
EXISTING CONDITIONS-2/2

Mark Porter
 33 Brimmer Street
 Boston, MA 02108

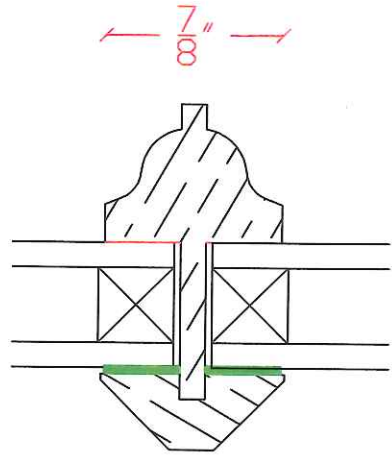
JB PROPER BOSTONIAN SH WINDOW UNIT



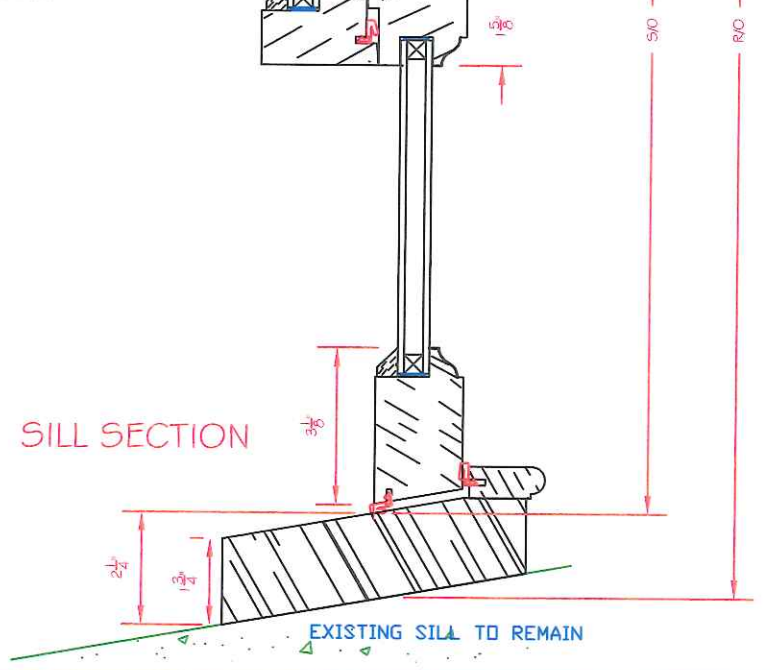
HEAD SECTION



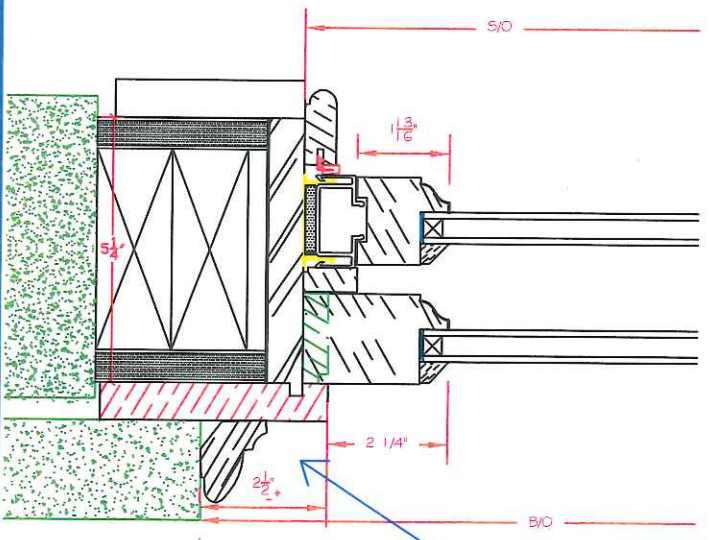
T.D.L. BAR
 FULL SCALE



SILL SECTION



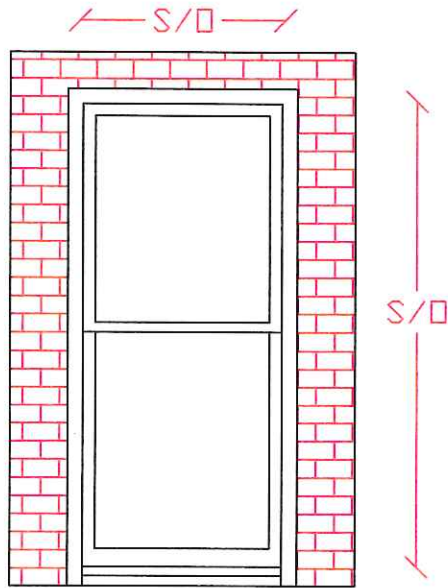
JAMB SECTION
 EXISTING CSG &
 STAFF BEAD TO REMAIN



DEALER: JB SASH & DOOR CO., INC.
 NUMBER: DATE: 03/19/15
 DRAWN: R.L.B. CHECK:

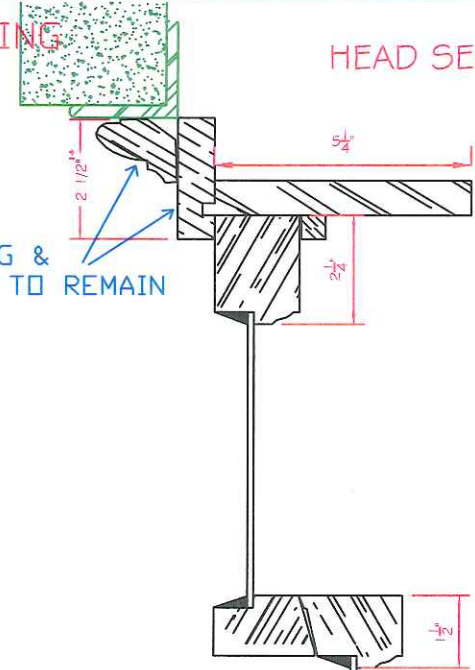
JBPB SH -2/2-RADIUS FILL

SSB WT & CHORD SASH - EXISTING CONDITIONS DRAWING

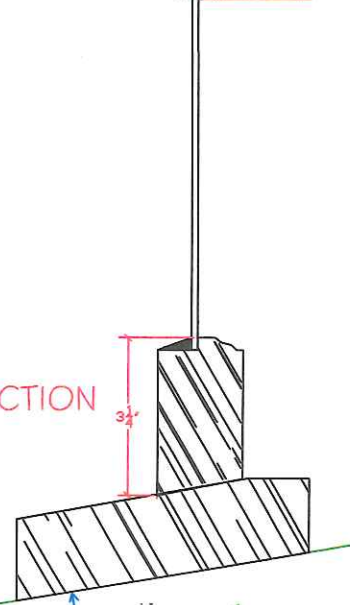


EXISTING CSG & STAFF BEAD TO REMAIN

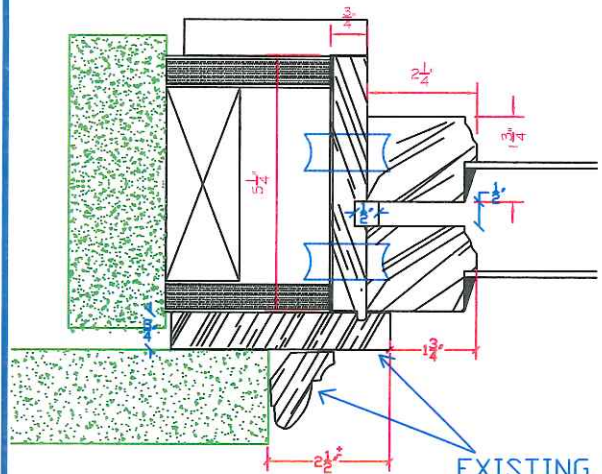
HEAD SECTION



SILL SECTION



EXISTING SILL TO REMAIN



EXISTING CSG & STAFF BEAD TO REMAIN

Mark Porter
33 Brimmer Street
Boston, MA 02108

SHEET 1
OF 1

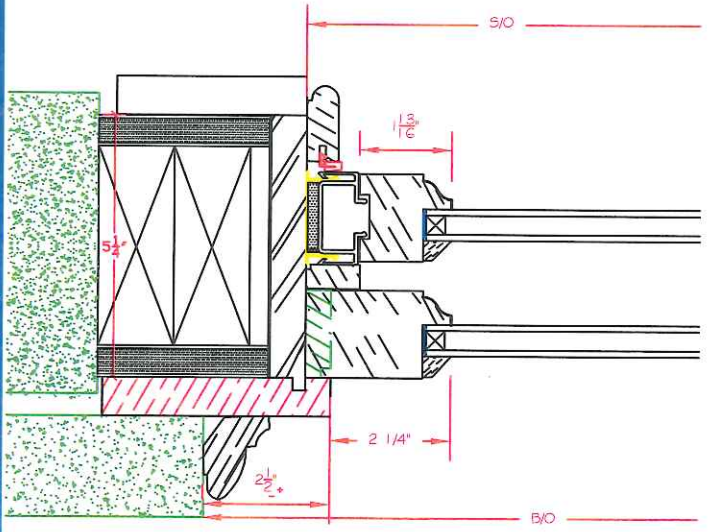
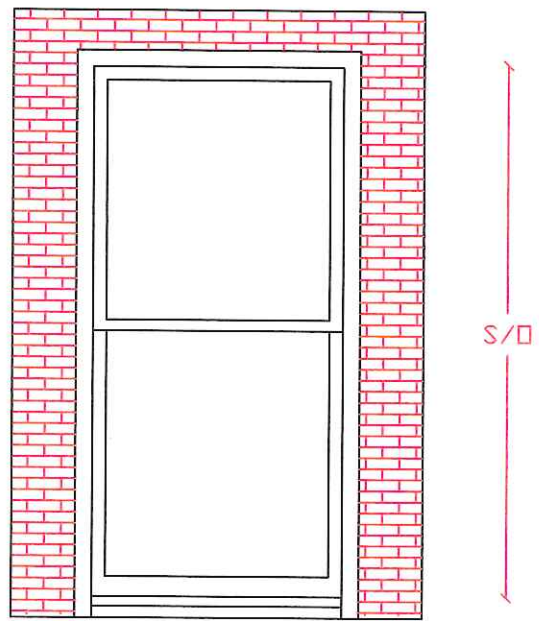
EXISTING CONDITIONS

DEALER: JB SASH & DOOR CO., INC.
DATE: 05/25/16
CHECK:

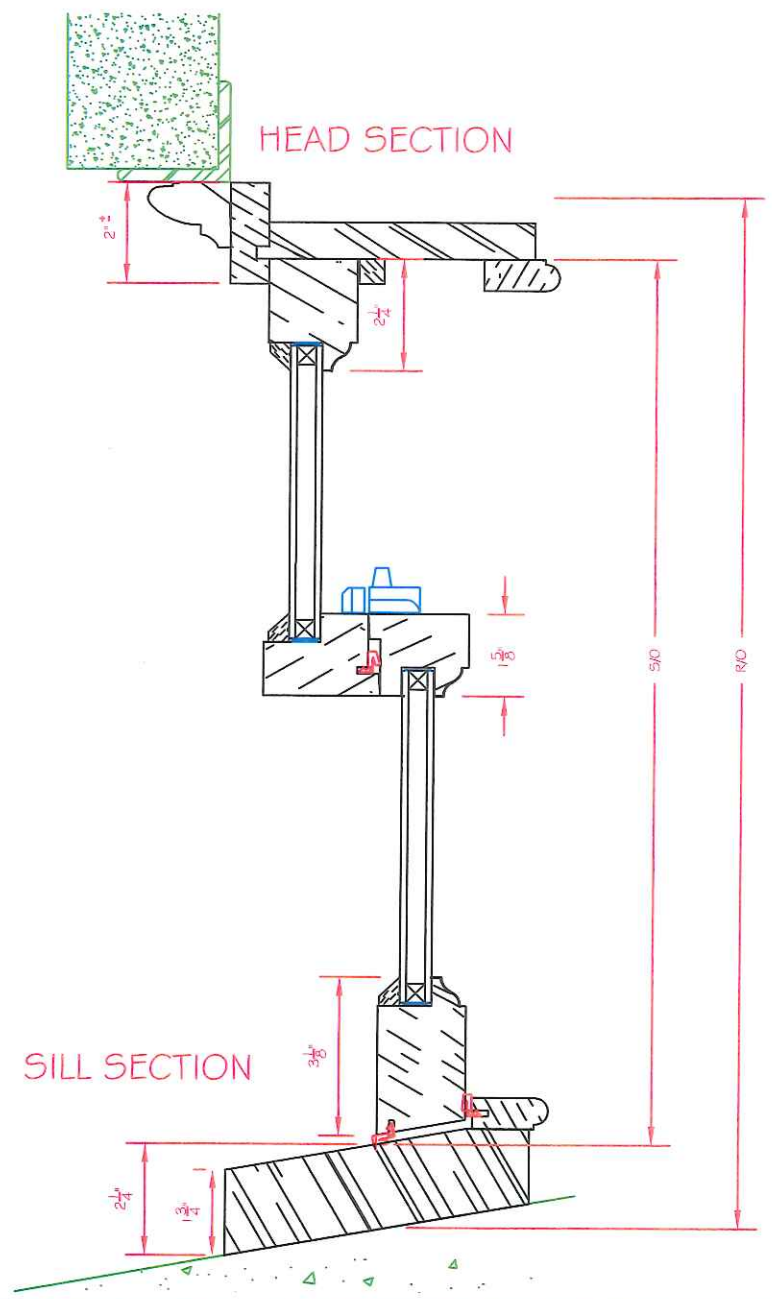
NUMBER:
DRAWN: R.L.B.

Mark Porter
 33 Brimmer Street
 Boston, MA 02108

JB PROPER BOSTONIAN SH WINDOW UNIT



JAMB SECTION



HEAD SECTION

SILL SECTION

DEALER: JB SASH & DOOR CO., INC.
 NUMBER:
 DRAWN: R.L.B.
 DATE: 03/19/15
 CHECK:
 JBPB SH - 1/1







