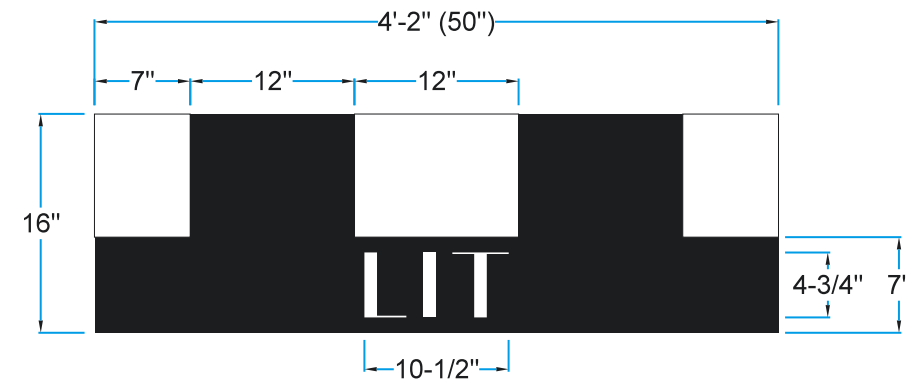
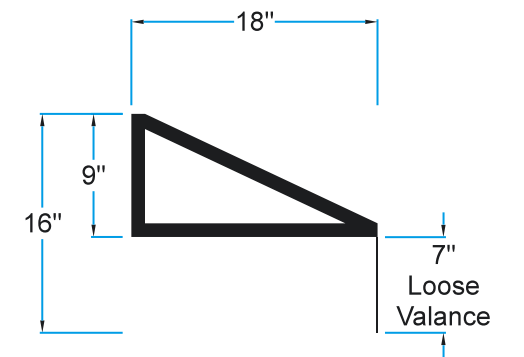


E1 Elevation: (Qty: 1) #8242.1 Shed Style Awning
Location: Over Center Window



E2 Elevation: (Qty: 2) #8242.1 Shed Style Awnings
Locations: Over Side Windows



SV Side View



PE Photo Elevation Views (Proposed & Existing)

Existing Signs
Removed Prior to
Awning Installations
(By ViewPoint)



- Description:
(Qty: 3) Open ended shed style awnings with graphics on loose valances.
- * Painted extruded aluminum tube frames with open ends
 - * Covered with Sunbrella awning fabric
 - * SGS Heat Sealed White DPF graphics on front loose valances
 - * Awnings installed with required hardware

Typeface/Logo:
* Art Supplied by Customer

- Colors:
- * Frames - Painted Black
 - * Fabric - Sunbrella Natural (White) #4604
 - Sunbrella Black #4608
 - * Graphics - White DPF

Installation:
* By ViewPoint

Job:
LIT Boutique
Location:
223 Newbury St., Boston, MA

Account Manager:
Rich Goins
File:
LIT Boston NewbSt awnings 2b.plt

Date:
11.28.16 D.75
Designer:
Pete Rivera

Revisions:
01.30.17 D.5

Revisions:



1.508.393.8200
FAX 1.508.393.4244

Customer Approval | Acct. Manager Approval | Production Approval