



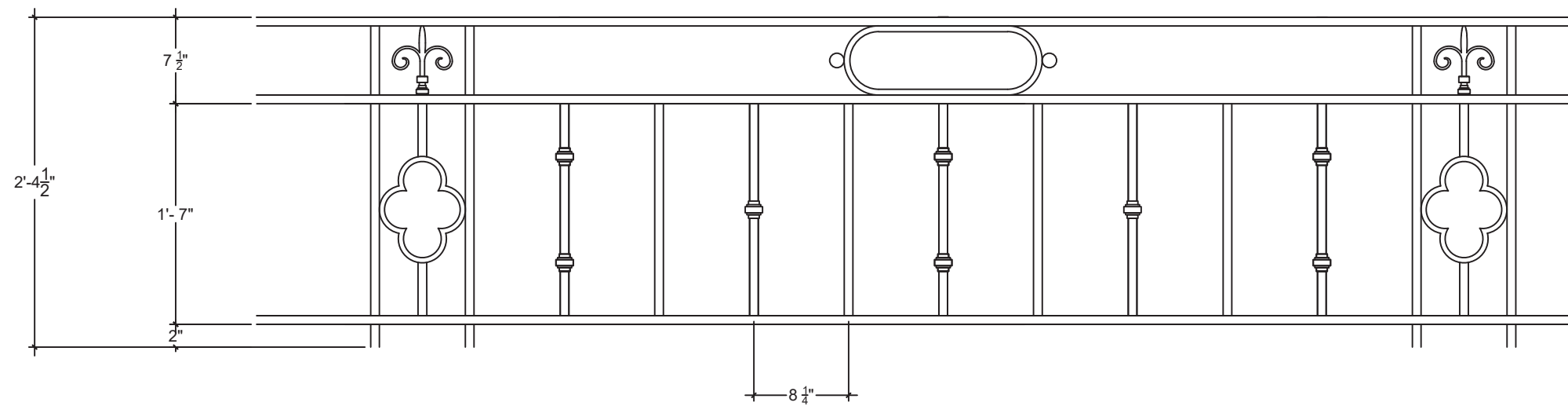
95

Blair

Trent Facade

Facing Beacon

Previously presented design
6/2017 BHAC Public Hearing



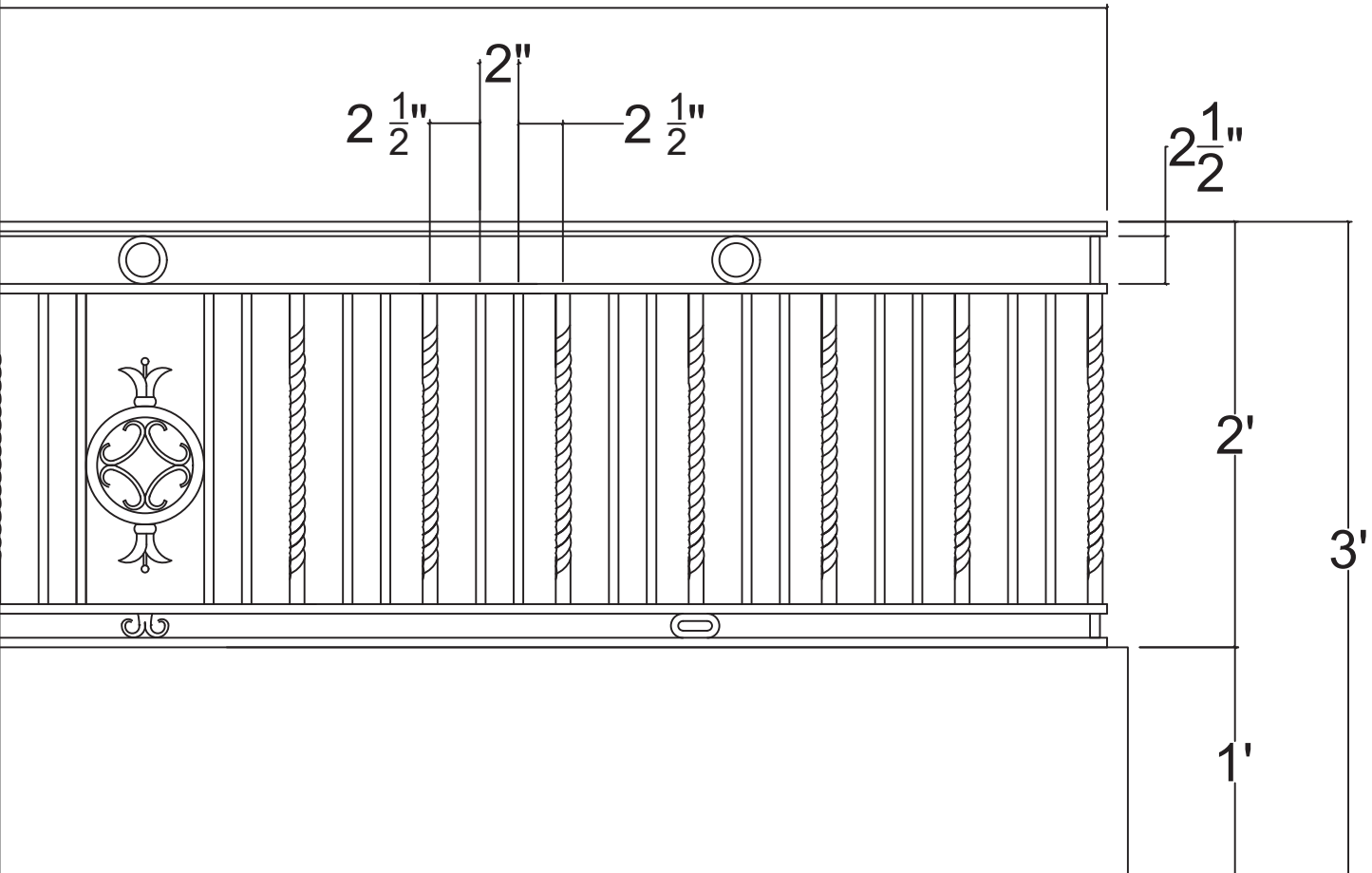
3/4" Stock

WOVENSTEEL
DISTINCTIVE IRONWORK
E. BOSTON MA .
617.567.5166

7/10/17
PROJECT: 95 Beacon St.
CLIENT: 95 Beacon Condo Assoc.
JOB: Front exterior fence
#1. revision



Revised Design 7/2017 - BHAC
Public Hearing



Ironwork layout

WOVENSTEEL
DISTINCTIVE IRONWORK
E. BOSTON MA .
617.567.5166

10/22/12
PROJECT: 96 Beacon St.
CLIENT: Perennial Gardens
JOB: front garden fence
#1. panels detail