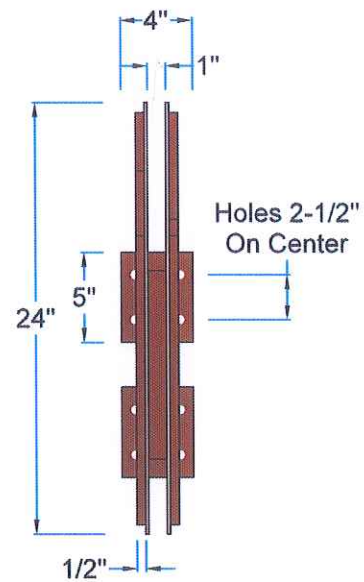
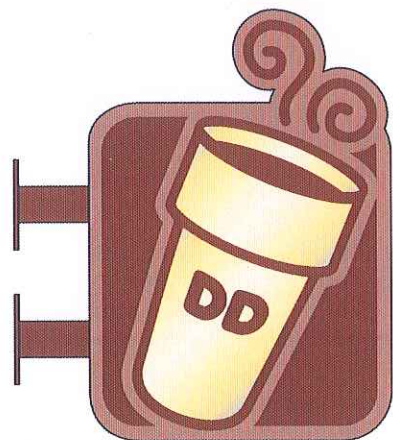


E1 Elevation: (Qty: 1) #6032 DF Blade Sign
24" x 16-7/8" = 2.81 Sq. Ft.



S1 Side View



E1 Elevation: Second Side
(Showing 2nd Side Graphics Orientation)

Description:
(Qty: 1) Double sided non-illuminating blade sign with dimensional graphics.
* Welded 2" x 1" aluminum tube frame and mounting extension brackets
* Painted Dibond cloud backers
* Painted 1/2" PVC graphics affixed first surface
* Surface applied vinyl graphics
* Cup Icon to have Flat Gold Leafed graphics

Logo:
* Art on File

Colors:
* Frame - Painted BM Night Shade #2116-10
* Brackets - Painted BM Night Shade #2116-10
* PVC Graphics - Painted BM Night Shade #2116-10
* Dibond Backers - Painted BM Jackson Tan #HC-46
* Cup Icon - 22k Gold Leaf (Flat)
* Vinyl Graphics - DD Brown H.P. 3M #220-19

Installation:
* By ViewPoint



PE Photo Elevation View (Proposed)

Job: Dunkin' Donuts
Location: 89 Broad St., Boston, MA

Account Manager: Sean Donovan
File: DD Boston 89Broad non-illum blade 1a.plt

Date: 06.01.17 R.25 D1.25
Designer: Pete Rivera

Revisions: Revisions:



ViewPoint
SIGN AND AWNING

1.508.393.8200
FAX 1.508.393.4244

Customer Approval Acct. Manager Approval Production Approval