

Jean Brooks Landscapes
Design & Construction

255 Commandants Way
Chelsea, MA 02150
617.354.0643
www.jeanbrookslandscapes.com

BURKE RESIDENCE
CABINET AND GRILL

1" equals 1'

NOTES:
Custom cabinet constructed of uv-stabilized High Density Polyethylene (HDPE). (Black)
Stone counter top.
Grill: 24" wide

AUGUST 30, 2017

Strata is available in a natural concrete finish and allows you to choose between a bioethanol, natural gas or propane burner. Built from the same innovative composite concrete as our collection of fire tables, Strata is cleverly designed to conceal a propane tank beneath it via a magnetic door, yet lightweight enough to be easily relocated as needed.



STRATA



CAD FILES

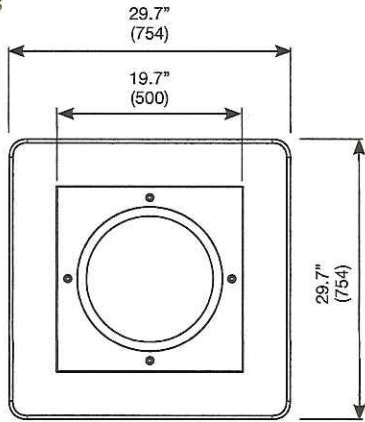


INQUIRE NOW

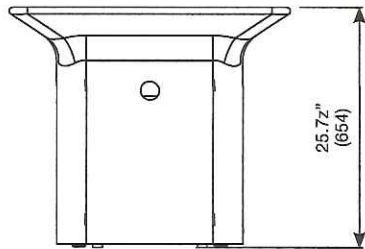


OPERATION MANUALS

DIMENSIONS



Top View



Front View



GLASS SCREEN ACCESSORY

MATERIALS

Durable composite concrete surround, 304 Stainless Steel Burner with lava rock.

WEIGHT

131lbs [59.5kg]
(Includes burner and lava rock)

MODEL OPTIONS

Fuel	Color	SKU
LP/NG	Natural	BJF.1.STR.NA.G
	Graphite	BJF.1.STR.GH.G
	Bone	BJF.1.STR.BO.G
	Rust	BJF.1.STR.RU.G
Bioethanol	Natural	BJF.1.STR.NA.E
	Graphite	BJF.1.STR.GH.E
	Bone	BJF.1.STR.BO.E
	Rust	BJF.1.STR.RU.E

HEAT OUTPUT

Fuel	BTU/Hr	Burn Hours*
LP	55,000	8 - 20
NG	55,000	Unlimited
Bioethanol	20,433	7 - 11

*These values are indicative only.
LP/NG Burners are UL/ULC Listed.
Bioethanol Burner is UL Listed.

OPTIONAL ACCESSORIES

Accessory	SKU
Outdoor Cover	BJF.1.C.STR
Glass Screen	BLD.1.A.G.S430
Look (Stool or Side Table)	BJF.1.S.LOK
Hideout (Tank Cover or Side Table)	BJF.1.HDT
Pivot (Stool or Side Table)	BJF.1.S.PVT

STRATA

TABLES - TALL

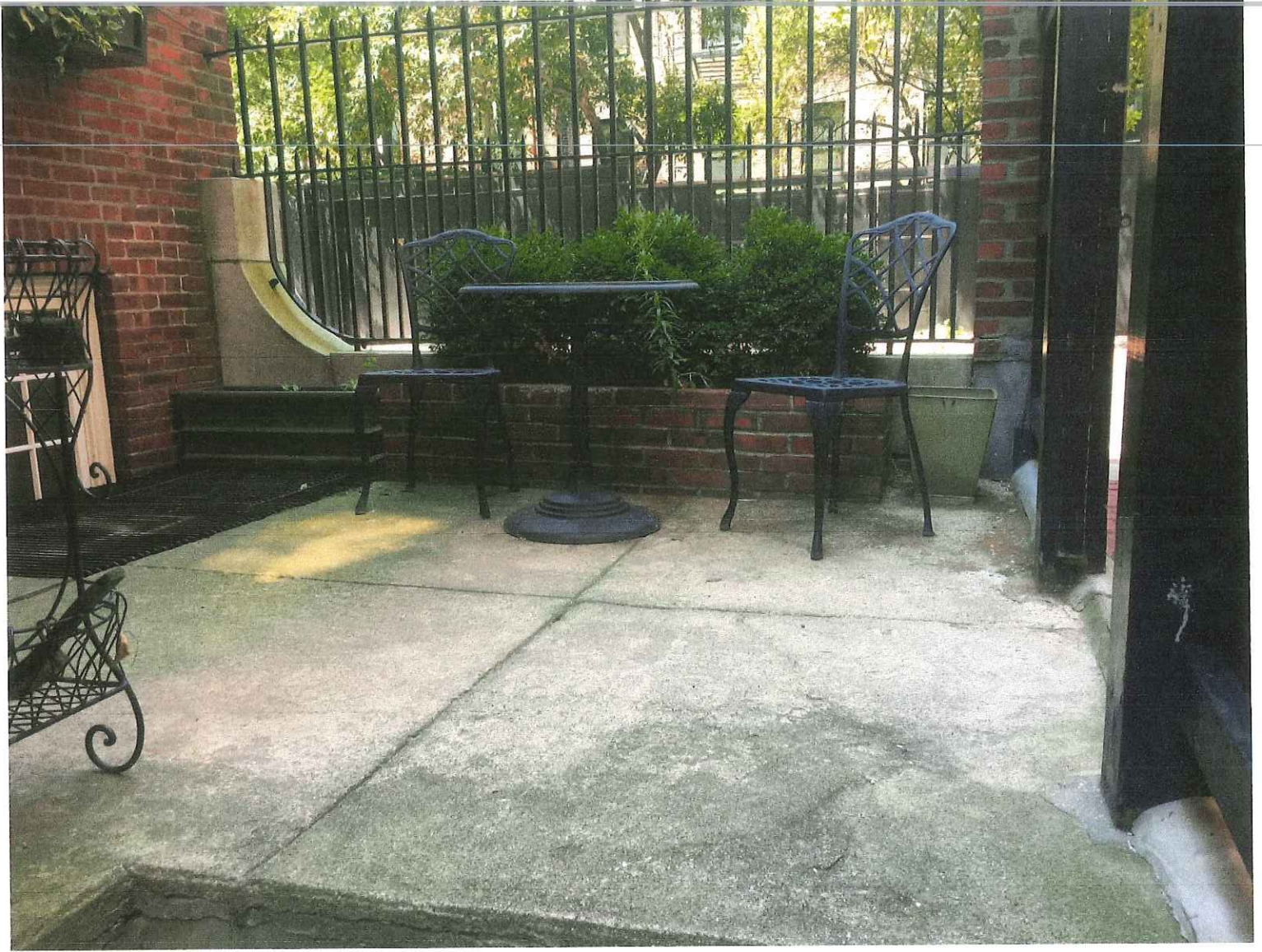
Disclaimer: All product specifications and data are subject to change without notice and believed to be correct at the time of publication. The Fire Company Pty Ltd (TFC), its affiliates, agents, and employees, and all persons acting on its or their behalf (collectively, "The Fire Company"), disclaim any and all liability for any errors, inaccuracies or incompleteness contained herein or in any other disclosure relating to any product. TFC disclaims any and all liability arising out of the use or application of any product described herein or of any information provided herein to the maximum extent permitted by law. The product specifications do not expand or otherwise modify TFC's terms and conditions of purchase, including but not limited to the warranty expressed therein, which apply to these products. No license, express or implied, by estoppel or otherwise, to any intellectual property rights is granted by this document or by any conduct of TFC. Customers using or selling TFC products not expressly indicated for use in such applications do so entirely at their own risk and agree to fully indemnify TFC for any damages arising or resulting from such use or sale. Please contact authorized personnel from TFC to obtain written terms and conditions regarding products designed for such applications. Brown Jordan is a trademark of Brown Jordan International, Inc. and is used under license to EcoSmart Inc. © 2017 V193617

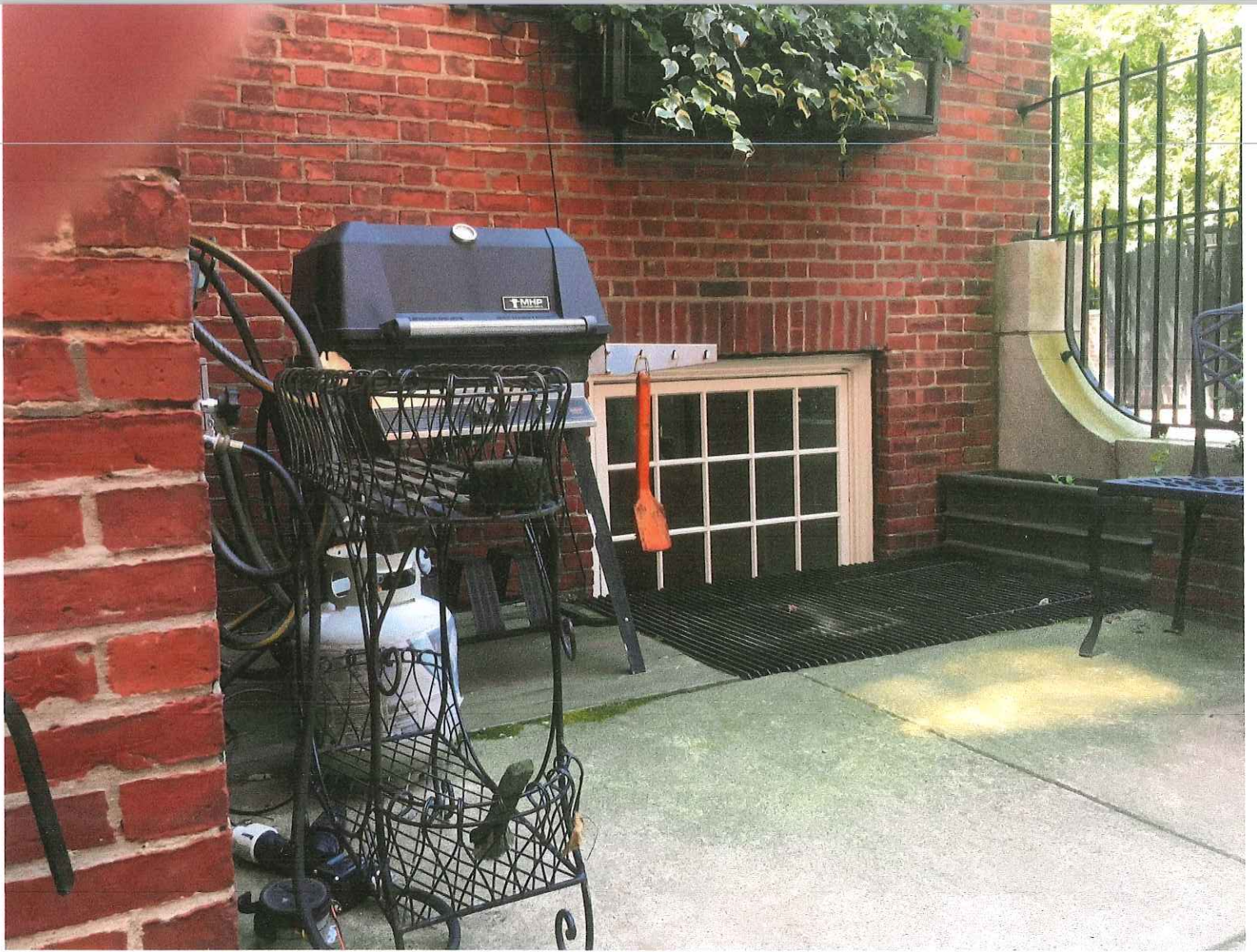


38 LIME STREET - 17.1345 BH - 6/2017 BHAC



38 LIME STREET - 17.1345BH - 6/2017 BHAC

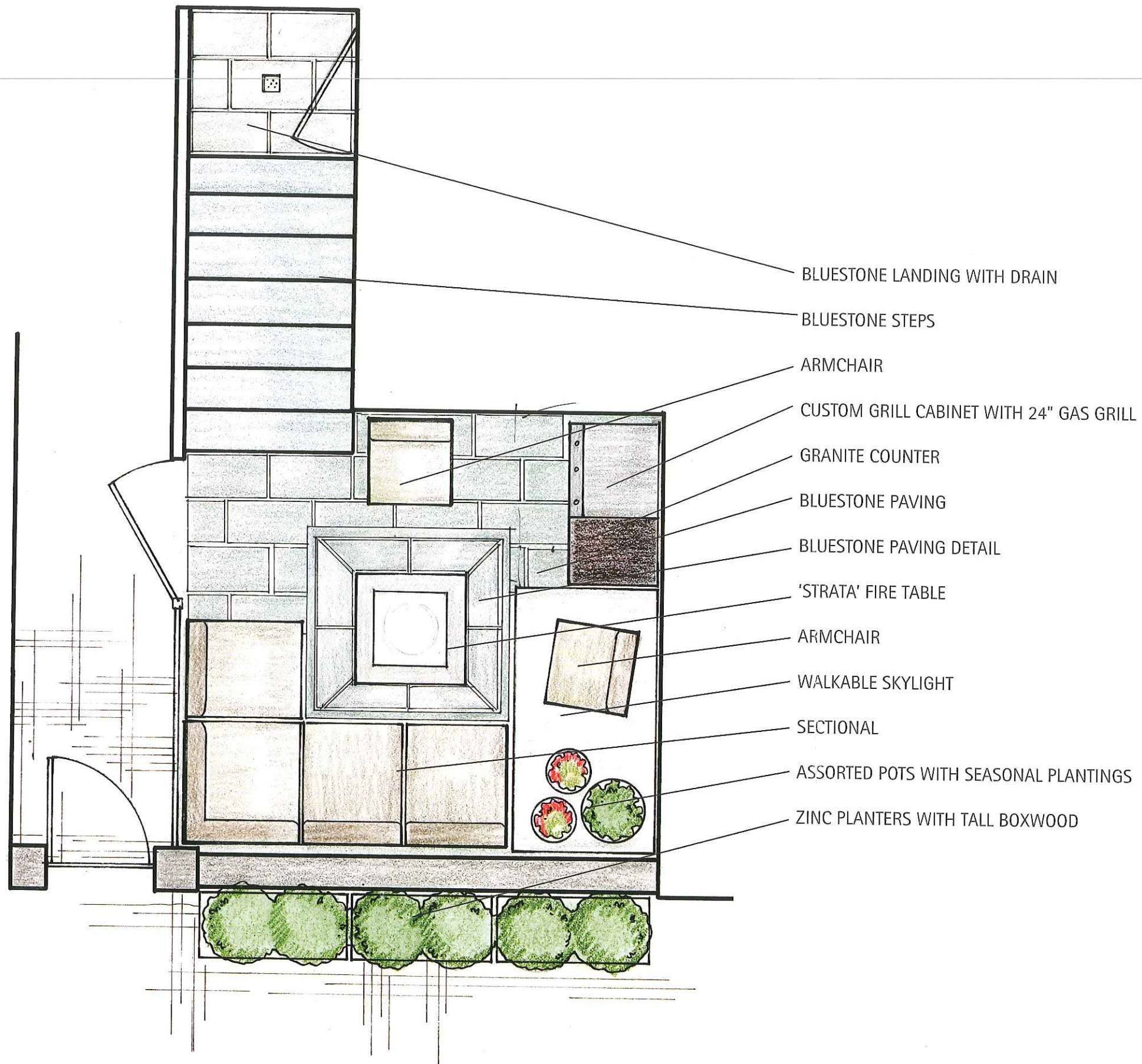












Jean Brooks Landscapes
Design & Construction

255 Commandants Way
Chelsea, MA 02150

617.354.0643
www.jeanbrookslandscapes.com

**BURKE RESIDENCE
COURTYARD A**
CONCEPTUAL DESIGN

3/8" equals 1'

JULY 10, 2017



CAD FILES



INQUIRE NOW



OPERATION MANUALS

MATERIALS

Durable composite concrete surround, 304 Stainless Steel Burner with lava rock.

WEIGHT

131lbs [59.5kg]
(Includes burner and lava rock)

MODEL OPTIONS

Fuel	Color	SKU
LP/NG	Natural	BJF.1.STR.NA.G
	Graphite	BJF.1.STR.GH.G
	Bone	BJF.1.STR.BO.G
	Rust	BJF.1.STR.RU.G
Bioethanol	Natural	BJF.1.STR.NA.E
	Graphite	BJF.1.STR.GH.E
	Bone	BJF.1.STR.BO.E
	Rust	BJF.1.STR.RU.E

HEAT OUTPUT

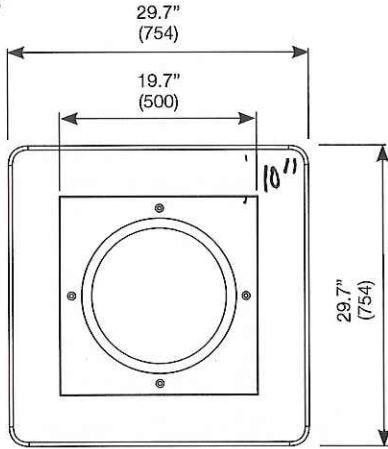
Fuel	BTU/Hr	Burn Hours*
LP	55,000	8 - 20
NG	55,000	Unlimited
Bioethanol	20,433	7 - 11

*These values are indicative only. LP/NG Burners are UL/JULC Listed. Bioethanol Burner is UL Listed.

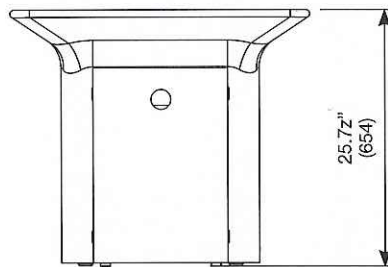
OPTIONAL ACCESSORIES

Accessory	SKU
Outdoor Cover	BJF.1.C.STR
Glass Screen	BLD.1.A.G.S430
Look (Stool or Side Table)	BJF.1.S.LOK
Hideout (Tank Cover or Side Table)	BJF.1.HDT
Pivot (Stool or Side Table)	BJF.1.S.PVT

DIMENSIONS



Top View



Front View

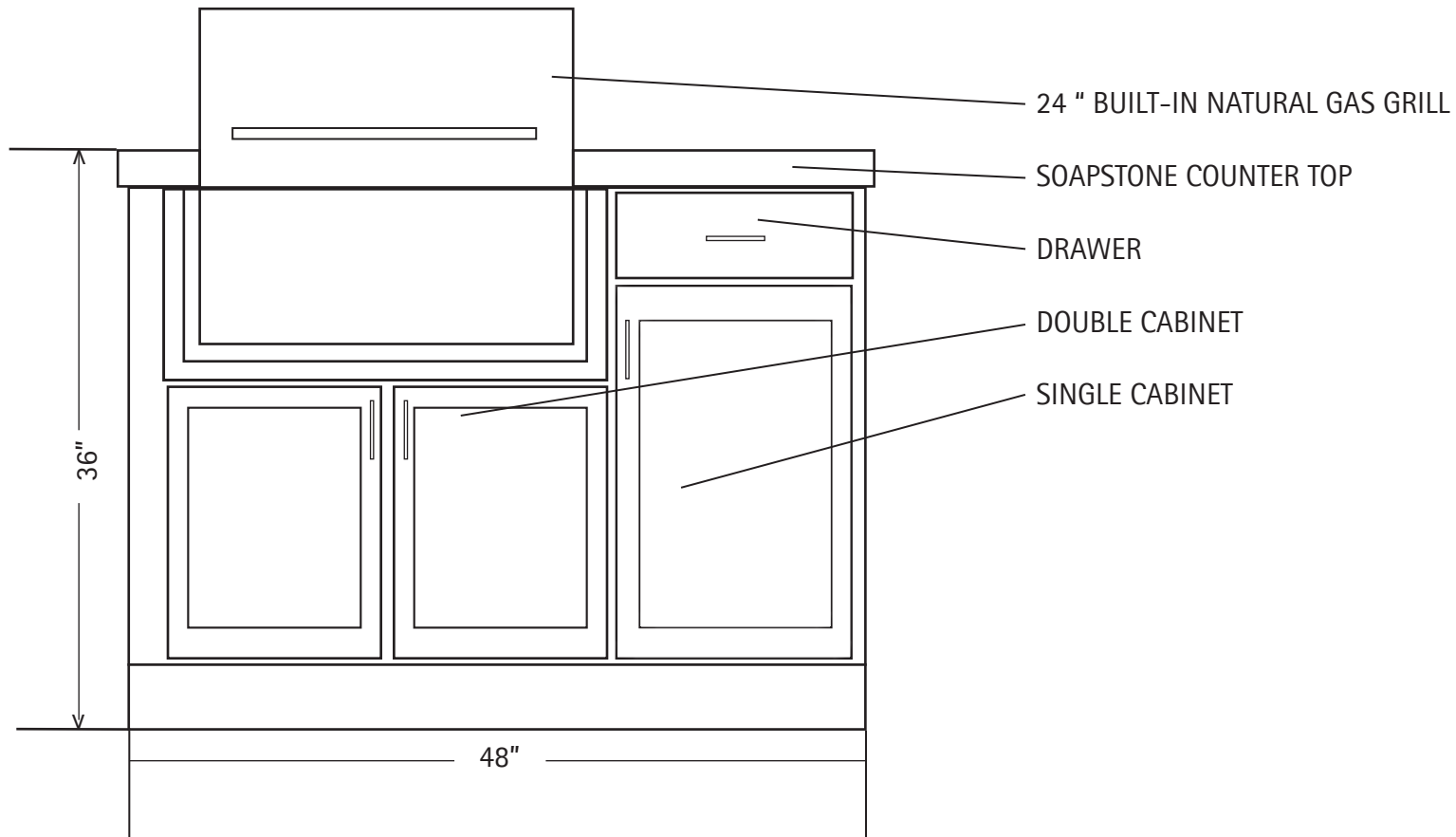


GLASS SCREEN ACCESSORY

STRATA

TABLES - TALL

Disclaimer: All product specifications and data are subject to change without notice and believed to be correct at the time of publication. The Fire Company Pty Ltd (TFC), its affiliates, agents, and employees, and all persons acting on its or their behalf (collectively, "The Fire Company"), disclaim any and all liability for any errors, inaccuracies or incompleteness contained herein or in any other disclosure relating to any product. TFC disclaims any and all liability arising out of the use or application of any product described herein or of any information provided herein to the maximum extent permitted by law. The product specifications do not expand or otherwise modify TFC P/LS terms and conditions of purchase, including but not limited to the warranty expressed therein, which apply to these products. No license, express or implied, by estoppel or otherwise, to any intellectual property rights is granted by this document or by any conduct of TFC. Customers using or selling TFC products not expressly indicated for use in such applications do so entirely at their own risk and agree to fully indemnify TFC for any damages arising or resulting from such use or sale. Please contact authorised personnel from TFC to obtain written terms and conditions regarding products designed for such applications. Brown Jordan is a trademark of Brown Jordan International, Inc. and is used under license to EcoSmart Inc. © 2017 V190617



NOTES:

Custom cabinet constructed of uv-stabilized High Density Polyethylene (HDPE). (Black)

Soapstone counter top.

Stainless steel grill: 24" wide

Jean Brooks Landscapes
Design & Construction

875 Main Street
Cambridge, MA 02139

617.354.0643
www.jeanbrookslandscapes.com

BURKE RESIDENCE

CABINET AND GRILL

1" equals 1'

.....

 AUGUST 1, 2017



LEFT: LOCATION OF CABINET AND GRILL
WALL PERPENDICULAR TO THE STREET

BELOW: EXAMPLE OF MATERIALS:
HDPE COMPOSITE, SOAP STONE, STAINLESS STEEL
(ON A LARGER SCALE)

