

V20171025_1154 AM

BHAC HEARING | 2017.11.16

JOHN JEFFRIES HOTEL

HACIN + ASSOCIATES
500 HARRISON AVE. STUDIO 4F
BOSTON MA 02118
P 617.426.0077
WWW.HACIN.COM @HACINASSOCIATES

© 2017 HACIN ARCHITECTS LLC ALL RIGHTS RESERVED.



PROVISOS FROM 10/12/17 CERTIFICATE OF APPROPRIATENESS LETTER:

- 1. PROVIDE SITE PLAN SHOWING FENCING FROM MUGAR WAY TO PINCKNEY STREET.**
- 2. REFINE GRANITE PAVERS TO REINFORCE THE BUILDING ENTRANCE AND DENOTE A CIVIC SPACE.**
- 3. ENHANCE THE CORNER ENTRANCE GRILLWORK BY INCORPORATING ADDRESS NUMBERS AND LIGHTING.**
- 4. REMOVE GRILL PANEL FROM BRICK BAY ON CHARLES STREET AND THE ADJACENT WALL WITHIN THE LOGGIA.**
- 5. MAINTAIN THE OFF-WHITE PAINTED FINISH ON ALL HISTORIC WINDOWS ON THE JOHN JEFFRIES HOUSE.**
- 6. PROVIDE SPECIFIC DETAILS/CUTSHEETS FOR:**
 - SIGNAGE**
 - ENTRY DOOR HARDWARE**
 - EXTERIOR LIGHT FIXTURES**
- 7. PROVIDE DETAILS OF THE WALL TRELLIS AND MODIFY THE STAINLESS CABLES TO HAVE A DARK FINISH.**
- 8. PROVIDE NIGHT RENDERINGS TO DEMONSTRATE EXTERIOR LIGHTING CONCEPT.**



CONTEXTUAL FENCING DIAGRAM

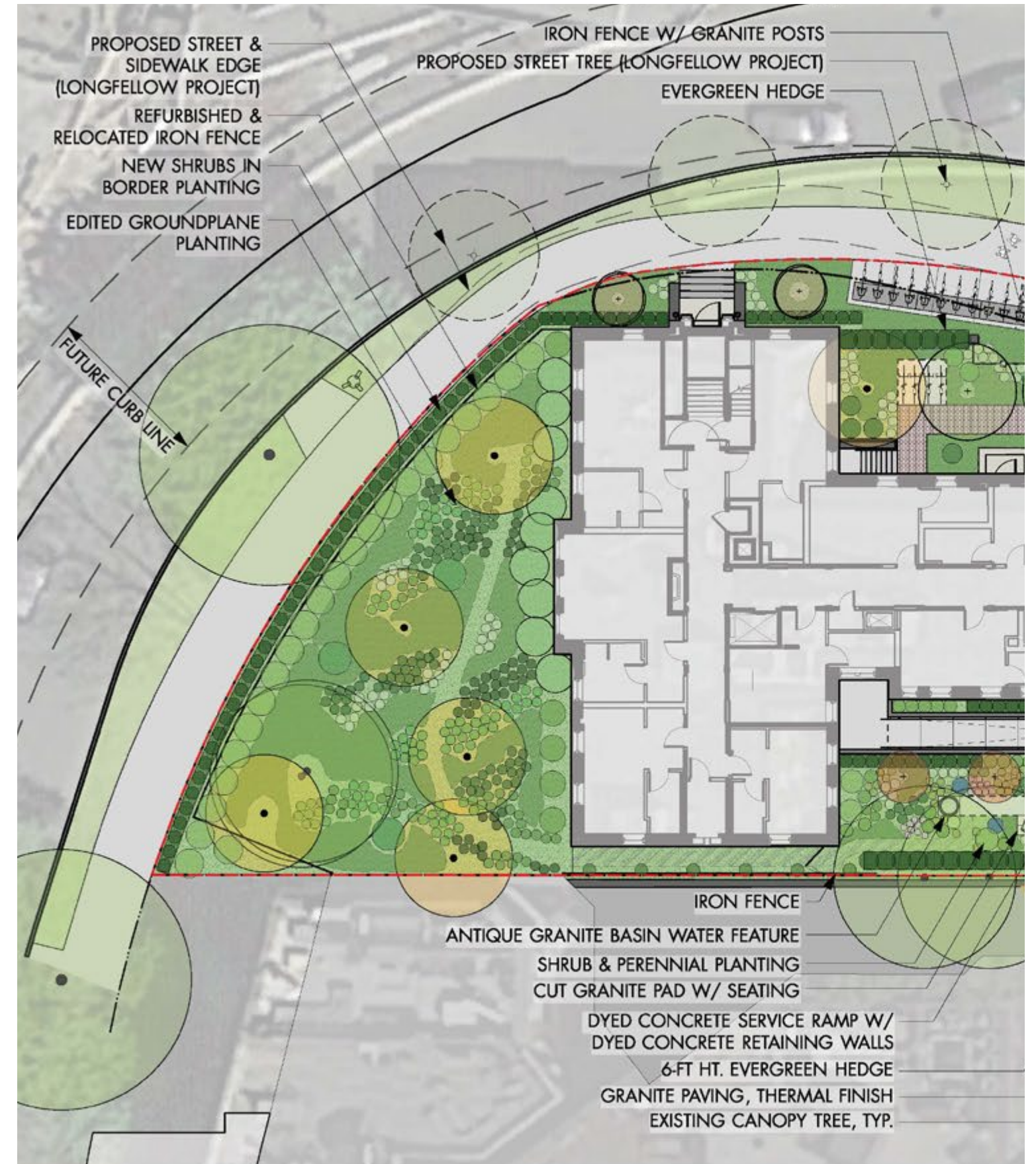
JOHN JEFFRIES HOTEL | BHAC HEARING | 2017.11.16 | PG 3

© 2017 HACIN ARCHITECTS LLC ALL RIGHTS RESERVED.





SITE PLAN OPTION A - EXISTING FENCE REMAINS



SITE PLAN OPTION B - EXISTING FENCE RELOCATED [8/17/17 HEARING]

FENCING ALONG MUGAR WAY

JOHN JEFFRIES HOTEL | BHAC HEARING | 2017.11.16 | PG 4



VIEW ALONG MUGAR WAY - OPTION A: EXISTING FENCE REMAINS

JOHN JEFFRIES HOTEL | BHAC HEARING | 2017.11.16 | PG 5

© 2017 HACIN ARCHITECTS LLC ALL RIGHTS RESERVED.



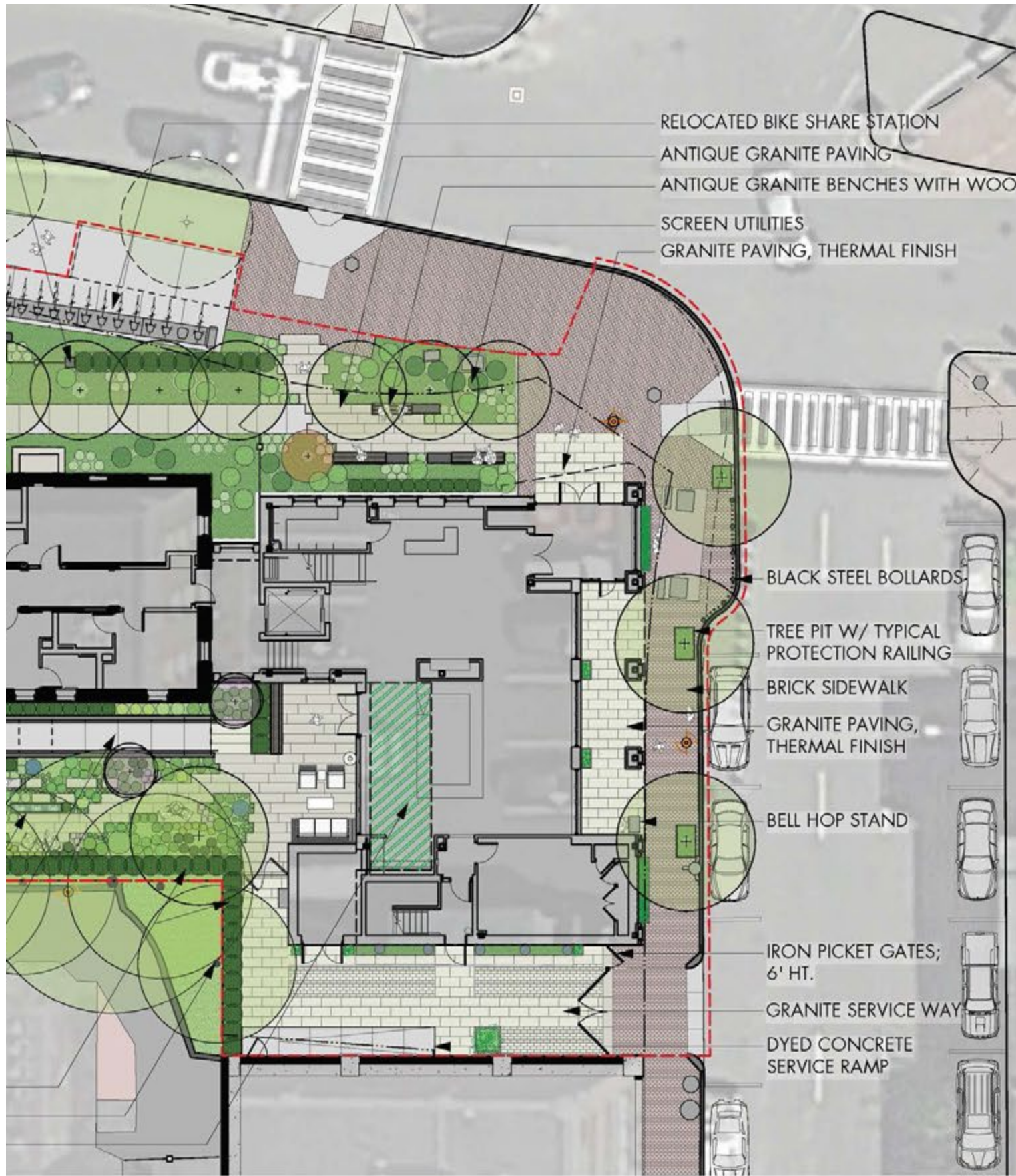


VIEW ALONG MUGAR WAY - OPTION B: EXISTING FENCE RELOCATED

JOHN JEFFRIES HOTEL | BHAC HEARING | 2017.11.16 | PG 6

© 2017 HACIN ARCHITECTS LLC ALL RIGHTS RESERVED.

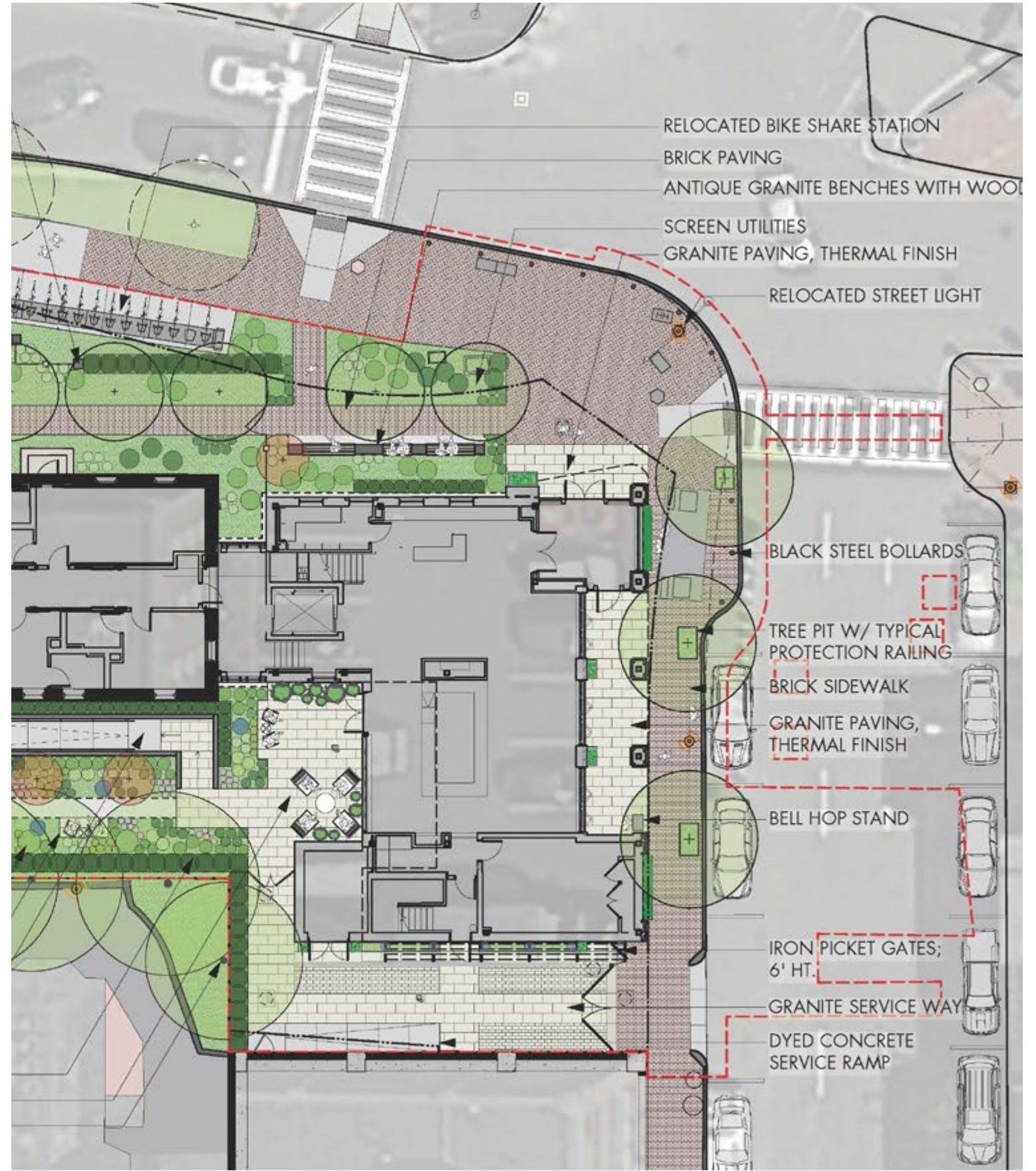




SITE PLAN - 8/17/17 HEARING

ENTRY PAVERS

JOHN JEFFRIES HOTEL | BHAC HEARING | 2017.11.16 | PG 7



SITE PLAN - REVISED





8/17/17 HEARING

VIEW AT CORNER OF CHARLES & CAMBRIDGE STREETS

JOHN JEFFRIES HOTEL | BHAC HEARING | 2017.11.16 | PG 8

© 2017 HACIN ARCHITECTS LLC ALL RIGHTS RESERVED.



REVISED





VIEW OF ENTRANCE & LOGGIA - REVISED

JOHN JEFFRIES HOTEL | BHAC HEARING | 2017.11.16 | PG 9

© 2017 HACIN ARCHITECTS LLC ALL RIGHTS RESERVED.





VIEWS OF LOGGIA - REVISED

JOHN JEFFRIES HOTEL | BHAC HEARING | 2017.11.16 | PG 10

© 2017 HACIN ARCHITECTS LLC ALL RIGHTS RESERVED.





8/17/17 HEARING

VIEW OF EXISTING BUILDING - OFF WHITE WINDOWS TO REMAIN

JOHN JEFFRIES HOTEL | BHAC HEARING | 2017.11.16 | PG 11

© 2017 HACIN ARCHITECTS LLC ALL RIGHTS RESERVED.



REVISED





8/17/17 HEARING

VIEW OF CORNER ENTRANCE

JOHN JEFFRIES HOTEL | BHAC HEARING | 2017.11.16 | PG 12

© 2017 HACIN ARCHITECTS LLC ALL RIGHTS RESERVED.



REVISED



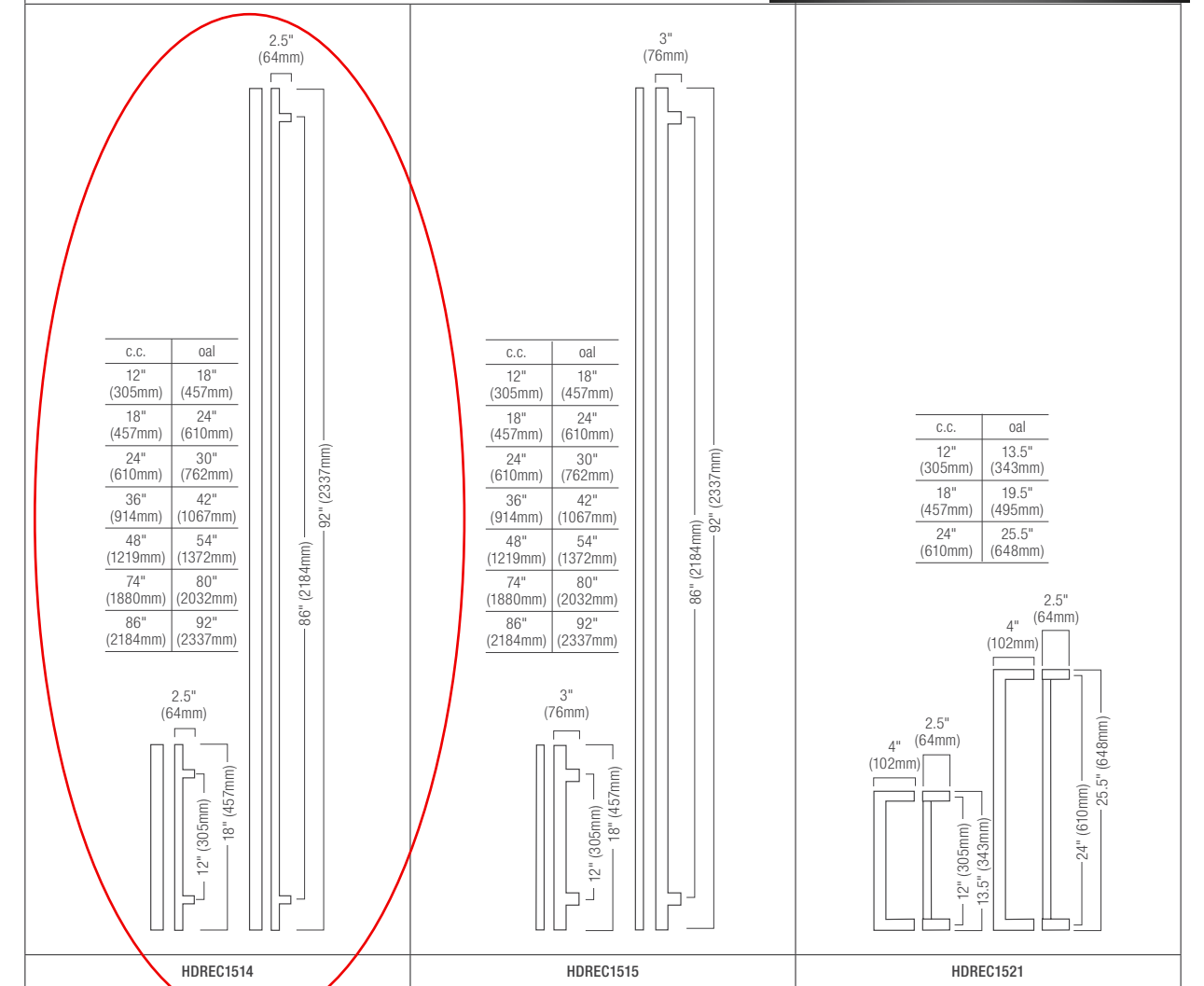


RECTANGULAR DOOR PULLS

Series 1500 (Continued)

DESIGN OPTIONS - SERIES 1500 (1514, 1515, 1521)

SERIES 1500 - 1" X 1.5" (25MM X 38MM); RECTANGULAR TUBULAR SECTIONS; STAINLESS STEEL, BRONZE AND BRASS



HOTEL SIGN:

BLACK PAINTED WOOD WITH CARVED PAINTED LETTERS

DOOR HARDWARE:

FORMS + SURFACES SATIN BRONZE RECTANGULAR PULL, 80" LENGTH

ADDRESS NUMBERS TO MATCH HARDWARE FINISH

ENTRY DOOR HARDWARE & SIGNAGE

JOHN JEFFRIES HOTEL | BHAC HEARING | 2017.11/16 | PG 13





ENTRY SCONCE:

- CUSTOM FIXTURE
- BLACK SATIN FINISH
- RIBBED FROSTED GLASS SHADE
- 2700K LED
- 6" PROJECTION, 94" HEIGHT

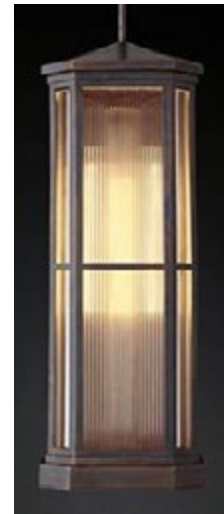
EXTERIOR LIGHT FIXTURES - ENTRY

JOHN JEFFRIES HOTEL | BHAC HEARING | 2017.11/16 | PG 14

© 2017 HACIN ARCHITECTS LLC ALL RIGHTS RESERVED.



PRECEDENT:
BLACK FINISH



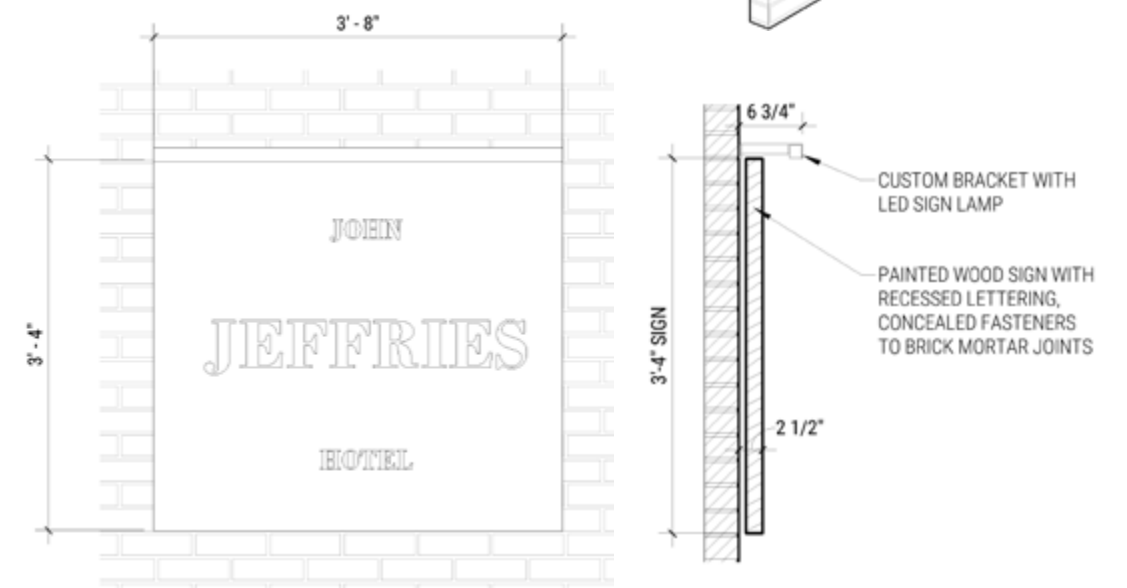
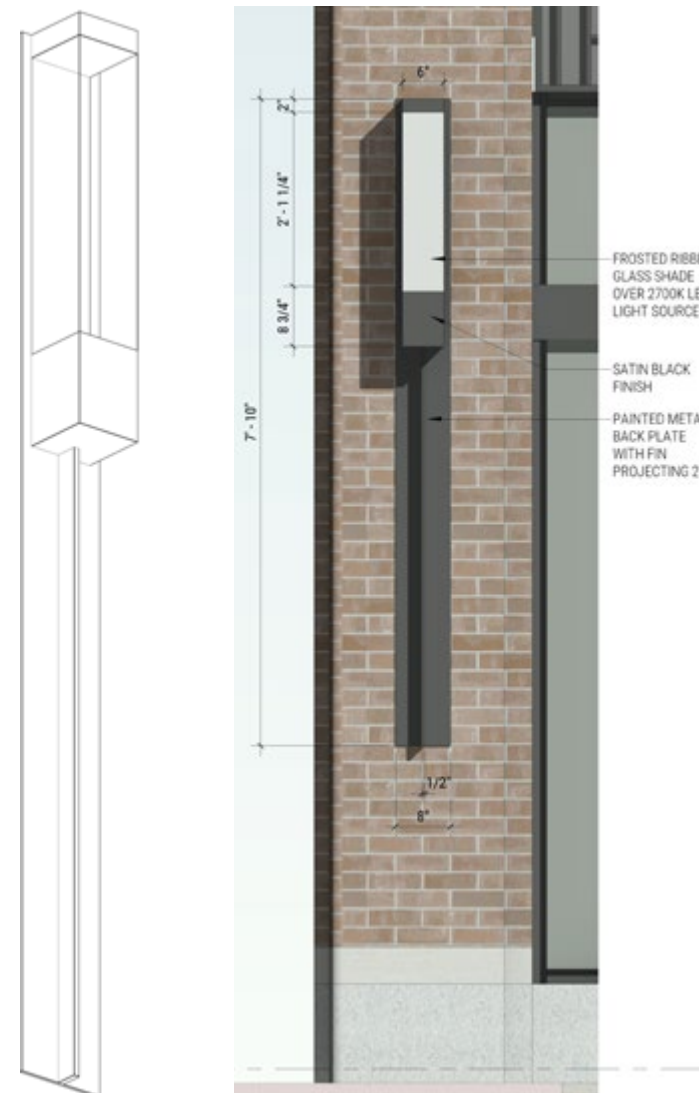
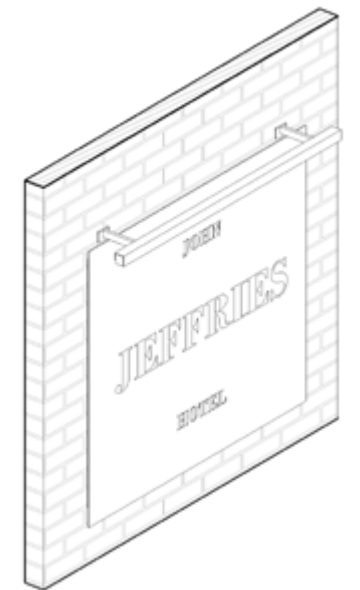
PRECEDENT:
RIBBED GLASS



PRECEDENT:
LINEAR SHAPE WITH WALL BRACKETS [BLACK FINISH]

SIGN LIGHT:

- CUSTOM FIXTURE
- BLACK SATIN FINISH
- CONCEALED LIGHT SOURCE
- 2700K LED
- 6" PROJECTION TO LIGHT
- 3'-8" FIXTURE LENGTH





ENTRY RECESSED DOWN LIGHTS:

- 3 RECESSED FIXTURES OVER ENTRY
- 2" DIAMETER BLACK TRIM
- 2700K LED

EXTERIOR LIGHT FIXTURES - ENTRY

JOHN JEFFRIES HOTEL | BHAC HEARING | 2017.11/16 | PG 15

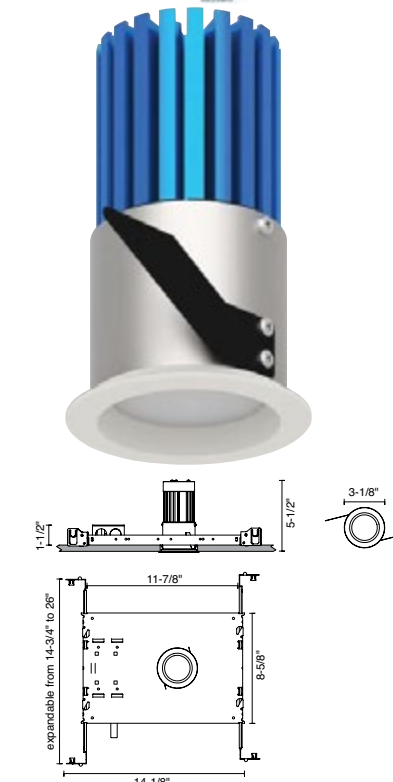
© 2017 HACIN ARCHITECTS LLC ALL RIGHTS RESERVED.

JOB NAME _____
CONTACT _____
ORDERING CODE _____

ORDERING CODE LM-79

NU2RD

XICATO eldoLED
your product | our drive



DESCRIPTION

The NU2RD, 2" recessed downlight by ALPHABET offers multiple cutting edge LED technology options, premium performance, thoughtful construction and pleasing aesthetics. Premium dimming offered using EldoLED 1% flicker free drivers in 120V, 277V, and 347V. A minimalistic look is achieved with an ultra thin 1/16" flange. Color choices of Trim and Bezel for a customized look. Several beam angles available.

HOUSING

Small fixture housing and driver box assembly allows for both remodel and new construction applications. Thermally advanced anodized heat sink using 6063 alloy. Wet location rated is offered standard. 90min constant power IOTA emergency battery backup available.

MOUNTING

A simple mounting system allows for quick and secure installation with LED and Driver serviceability from below the ceiling. The LED assembly uses two electrocoated spring steel wings that securely grip onto variable ceiling thicknesses ranging from 1/2" to 1 1/4" thick. Integrated Bar Hangers feature integral toothed nails, T-bar mounting slots with locking holes, Tabs for joist positioning, and extendibility form 14-3/4" to 26". Retrofit mounting option allows for installation from below ceiling by use of compact driver box. Ceiling cutout of 2-7/8" diameter required.

LISTINGS

- ETLus Listed to UL1598, cETL Listed to CSA C22.2 #250.0
- Type IC with IC, ICAT, or CP box options.
- Suitable for wet locations.
- Made in the USA - meets the requirements of the Buy American provision within the ARRA.

SERIES	624
TYPE	RD round downlight
LED	XTM19
DELIVERED LUMEN	07LM 600 lm 10LM 860 lm 13LM 1120 lm
CCT	27K 2700K B27K ¹ 2700K beauty 30K 3000K V30 3000K vibrant 35K 3500K 40K 4000K
CRI	83 83CRI 98 98CRI
REFLECTOR & LM MULTIPLIER	S35 35° specular with clear lens (0.91) S45 45° specular with clear lens (1.00) D40 40° diffused with clear lens (0.84) D50 50° diffused with clear lens (0.86)
VOLTAGE	120 120V 277 277V
DIMMING ²	DIM10 ² standard driver with flicker free 0-10V dimming to 1% DIM10Z ⁴ flicker free 0-10V dimming to 0% DALI ⁴ flicker free dali dimming to 0% DALIZ ⁴ flicker free dali dimming to 1% LUDA lutron high-lume/ecosystem A-series to 1% ELV3 trailing edge dimmable to 10%
MOUNTING OPTIONS	NC new construction with ceiling fitting plate IC insulation contact housing ICAT insulation contact / airtight housing CP chicago plenum housing RET retrofit, no ceiling fitting plate
TRIM & BEZEL COLOR	WH white MC matte chrome BK black BZ bronze WT wheat
ELECTRICAL OPTIONS	EM7 emergency battery backup, 90 minutes at 7 watts to LED FOR 347V order separate "347V to 277V" step down transformer OPTION p/n: P70489

ORDERING CODE _____

Follow the steps to specify your fixture, example:
624 - RD - XTM19 - 13LM - 35K - 98 - S35 - 120 - DIM10 - NC - WH - EM7

XTM19 DELIVERED LM	POWER			
	W (83CRI)	VA (83CRI)	W (98CRI)	VA (98CRI)
600	9.5	10.2	11.4	12.1
860	12.4	13.1	15.4	16.1
1120	16.5	17.2	N/A	N/A

- NOTES**
- 1 98 CRI not available for 13LM.
 - 2 B27K Beauty Series choose 98 CRI (actual 93).
 - 3 ELV dimming not available in 10LM or 13LM in NC and RET mounting.
 - 4 Driver uses logarithmic dimming curve as standard. For linear dimming curve add "LIN" after dimming code, i.e. DIM10LIN.
 - 5 See page 2 for Driver box sizes.





LOGGIA SURFACE MOUNTED CEILING LIGHTS:

- CUSTOM FIXTURE BLACK SATIN FINISH
- FROSTED GLASS INNER SHADE, CLEAR GLASS OUTER SHADE
- LED WITH 2700K COLOR TEMPERATURE
- 24" DIAMETER X 12"H
- SUPPLEMENTED BY CONCEALED ACCENT LIGHTING IN CEILING COVE

EXTERIOR LIGHT FIXTURES

JOHN JEFFRIES HOTEL | BHAC HEARING | 2017.11/16 | PG 16

© 2017 HACIN ARCHITECTS LLC ALL RIGHTS RESERVED.





LOGGIA COVE CEILING LIGHTS:

- LED TAPE LIGHT CONCEALED IN RECESSED CEILING COVES
- 2700K COLOR TEMPERATURE

EXTERIOR LIGHT FIXTURES

JOHN JEFFRIES HOTEL | BHAC HEARING | 2017.11/16 | PG 17



Project: _____

Fixture Type: _____

Location: _____

Contact/Phone: _____

PRODUCT DESCRIPTION

Juno FlexConnect linear lighting is a flexible architectural luminaire system featuring onboard current regulation for consistent light output from start to end of run. Delivering up to 400 lumens per foot, this system is ideal for coves, cabinetry, accent lighting, and other indoor architectural applications. Juno FlexConnect luminaires feature silicone encapsulation for durability, reliability, and ease of installation. Patent-pending optical pigment provides industry leading color quality.

PRODUCT SPECIFICATIONS

Construction Flexible, silicone encapsulated LED Light engine is equipped with 3M adhesive • Twelve (12) LEDs per foot • LEDs are evenly spaced every 1" • Onboard current regulation maintains consistent light output from start to end of run • Rated for indoor or outdoor use when used with appropriate accessories.

Field-Cuttable Features integrated connectors every six (6) inches, allowing luminaire to be field cut and reconnected in six (6) inch increments. NOTE: MUST USE SLWCUTTER FOR CUTTING LUMINAIRE - see instructions.

Color Quality Features patent-pending optical pigment resulting in industry leading color consistency within 3 SDCM • Available in 2200K, 2700K, 3000K, 3500K, and 4000K in 80 CRI • 2700K and 3000K are also available in 95 CRI • Pigmented silicone is UV resistant for excellent color consistency over life.

Drivers Compatible with Juno Class 2, 24VDC remote mount drivers (ordered separately) • Dimmable drivers are available in 60W or 96W, 120-277V input, and are compatible with 0-10V, ELV, or Triac dimmers • Lutron Hi-Lume A-series 24VDC, 2-wire and 3-wire/EcoSystem compatible drivers are also available • For a list of compatible dimmers, refer to [JUNOLINEARLED-DIM](#)

Run Length Supplied in 20' spools • Beginning of spool features 12" of 22AWG wire which can be removed if longer starter cable is required • Minimum run length of 1' • Maximum run length of 40' for SLW212 series and 20' for SLW412 series.

Operating Environment -30°C to 50°C, 95% humidity (non-condensing)

Life Rated for L70 50,000 hours.

Labels ETL/cETL listed for wet locations • IP67 Rated • CE certified.

Product specifications subject to change without notice.

Warranty 5-year limited warranty. Complete warranty terms located at:

http://www.acuitybrands.com/CustomResources/Terms_and_Conditions.aspx

JUNO® TASK LINEAR ACCENT

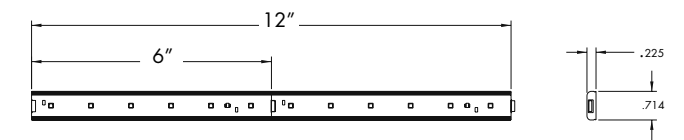


SLW212 and SLW412 Series, Wet Location (IP67)

Indoor/Outdoor



DIMENSIONS



PRODUCT CODES

24V Standard Output Flexible LED Strips - IP67 Wet Location

Cat. #	CCT	CRI Min	R9	Watts per Foot	Lumens per Foot
SLW212 20FT 27K 80CRI	2700K	80	35	2.2	175
SLW212 20FT 30K 80CRI	3000K	80	34	2.2	175
SLW212 20FT 35K 80CRI	3500K	80	20	2.2	205
SLW212 20FT 40K 80CRI	4000K	80	20	2.2	205
SLW212 20FT 27K 95CRI	2700K	95	78	2.2	140
SLW212 20FT 30K 95CRI	3000K	95	75	2.2	140

24V High Output Flexible LED Strips - IP67 Wet Location

SLW412 20FT 27K 80CRI	2700K	80	32	4.4	340
SLW412 20FT 30K 80CRI	3000K	80	28	4.4	340
SLW412 20FT 35K 80CRI	3500K	80	18	4.4	400
SLW412 20FT 40K 80CRI	4000K	80	16	4.4	400
SLW412 20FT 27K 95CRI	2700K	95	77	4.4	270
SLW412 20FT 30K 95CRI	3000K	95	74	4.4	270

Order in 20' spools.





ACCENT LIGHTS AT LOGGIA PIERS:

- BLACK FINISH
- DOWNLIGHT ONLY
- VERY NARROW LIGHT BEAM
- LED WITH 2700K COLOR TEMPERATURE
- 3"W X 5"H X 2.6"D
- ILLUMINATING BRICK RECESSES AT PIERS

EXTERIOR LIGHT FIXTURES

JOHN JEFFRIES HOTEL | BHAC HEARING | 2017.11/16 | PG 18

© 2017 HACIN ARCHITECTS LLC ALL RIGHTS RESERVED.

Outdoor Wall lights

Vedette Q

Light management: versions with single or double emission and up to **5 different optics** available

Passive heat dissipation: **anodized aluminum** casing



Black silk-screened pattern along the glass edge for glare reduction and groove to allow rainwater to **drain off**



inter•lux

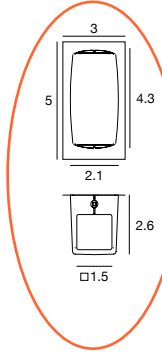


Remote driver

inter•lux

Vedette Q Wall light - Single emission - PowerLED 2 W 630 mA

ETL wet location listed C.C. IP65



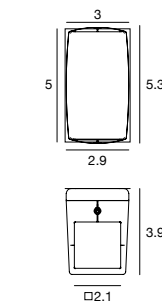
type	color	lumens	optic
White E96102	4000K	141 lm CRI 80	N 8° 08
Black E96103	3000K	132 lm CRI 80	W 15° 15
Grey E96104	2700K	126 lm CRI 80	M 30° 30
Cor-Ten E96105			60° 60
			Diff. 00

power supply options (remote only)

S	D010
Standard non-dim, 120-277V	1%, 0-10V dimming, 120-277V

Vedette Q Wall light - Single emission - PowerLEDs 8 W 600 mA

ETL wet location listed C.C. IP65



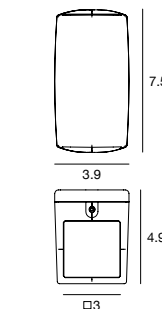
type	color	lumens	optic
White E96110	4000K	339 lm CRI 80	N 15° 15
Black E96111	3000K	307 lm CRI 80	W 30° 30
Grey E96112	2700K	291 lm CRI 80	M 60° 60
Cor-Ten E96113			Diff. 00

power supply options (remote only)

S	D010
Standard non-dim, 120-277V	1%, 0-10V dimming, 120-277V

Vedette Q Wall light - Single emission - PowerLEDs 20 W 400 mA

ETL wet location listed C.C. IP65



type	color	lumens	optic
White E96118	4000K	909 lm CRI 83	N 15° 15
Black E96119	3000K	848 lm CRI 83	W 30° 30
Grey E96120	2700K	788 lm CRI 83	M 60° 60
Cor-Ten E96121			Diff. 00

power supply options (remote only)

S	D010
Standard non-dim, 120-277V	1%, 0-10V dimming, 120-277V

inter-lux.com

inter-lux.com

Outdoor





ACCENT LIGHTS AT TRELLIS:

- BLACK FINISH
- CONCEALED BEHIND TRELLIS BRACKETS
- LED WITH 2700K COLOR TEMPERATURE
- ILLUMINATING VINES ALONG BRICK WALL

EXTERIOR LIGHT FIXTURES

JOHN JEFFRIES HOTEL | BHAC HEARING | 2017.11/16 | PG 19

© 2017 HACIN ARCHITECTS LLC ALL RIGHTS RESERVED.

FL1

FLOOD/ACCENT - 12V



Clear Anodized Aluminum Finish (CLA)
[FIXTURE TO BE BLACK FINISH]

12V • 50W MR16 • 10W LED • 12.5W LED

Precision machined lighting fixture for MR16 halogen lamps or integral LED lamp module with driver. Can be used for ground mounted landscape up lighting, tree mounted down lighting, and wall or ceiling mount applications.

FEATURES

- Thick walled cap and optimized high temperature silicone O-ring placement prevents leaking.
- Patented 'double-taper' locking knuckle that locks and stays locked.
- Thick walled cap allows for more threads and larger set screw to prevent stripping.
- LED modules are field replaceable and feature replaceable lenses.
- LED drivers utilize dynamic transformer recognition to simplify installation and patented LEDSense® thermal management to keep LED running at the optimum temperature.

CONSTRUCTION

Material: Precision machined from aluminum, brass, or stainless steel. All stainless steel hardware.

Cap: Removable cap is available in four cutoff styles. Tempered borosilicate glass lens is factory sealed to cap using high temperature silicone adhesive. Also available with 'Flush Lens' option.

Accessories: Up to 3 lens or shielding options can be specified (see spec. sheet for limitations).

Lamp: MR16 halogen lamp up to 50W, 10W LED module with integral driver and a High/Low switch for selection of 35 Watt or 20 Watt halogen equivalent output, or 12.5W LED module with integral driver and push button selection of 4 outputs (50 Watt, 35 Watt, 20 Watt & 12 Watt halogen equivalent).

Finishes: 14 standard powder coat finishes, clear anodized aluminum finish, 3 brass finishes & 3 stainless steel finishes. See FINISHES section of catalog (inside back cover).

Mounting Knuckle: Standard K1 double-taper knuckle gives positive lock for 180° vertical aiming and prevents undesired fixture movement. Optional K2 Rotate & Lock knuckle adds a full 360° of lockable, rotational aiming. K1 and K2 knuckle option designs are protected under U.S. Patents #6,966,679, #7,108,405 and #7,458,552.

Certification: CSA tested and certified to US and Canadian safety standards for use in wet locations.

APPLICATIONS

Landscape • Wall • Ceiling

All features and ratings subject to change without notice. See web site or contact V3 for most current info.

METALS			CAP STYLES			
6061-T6 Aluminum	C36000 Brass	304 Stainless Steel	C1	C2/C2L	C3	C4/C4L
See catalog page 28 for mount / power options & accessories.						
KNUCKLE OPTION						
	The K1 Knuckle option utilizes self locking double tapers to give a positive lock, even if the knuckle screw should loosen. This knuckle allows for 180° of vertical aiming and is recommended for use in landscape applications or on mounts that have alternate means for rotational aiming. The K2 Knuckle option adds rotational aiming capability. The clamp and reverse taper design of the K2 Knuckle allows for smoother rotational adjusting with no material deformation, a full 360° of rotational aiming with no dead spots, and the ability to loosen and adjust while mounted on a ceiling without the knuckle coming apart under the weight of the fixture. The K2 Knuckle option is ideal for wall or ceiling mount applications.					
FLUSH LENS OPTION						
	The Flush Lens option replaces the standard flat lens with a machined lens that has a stepped edge profile so that the top face of the lens is flush with the top of the cap. This flush fit allows water and debris to more easily flow off of the lens when the fixture is aimed up, greatly reducing the amount of mineral deposits and debris on the lens. The Flush Lens option is recommended whenever the fixture will be aimed up and there is the likelihood of lens deposits or debris build up.					

©Vision3 Lighting 2013



VISION-3
LIGHTING

VISION3LIGHTING.COM

RELATED
BEAL

MCLD

H+A



FLOOD LIGHTING AT SERVICE LANE:

- 2 ADJUSTABLE FIXTURES MOUNTED TO BUILDING AND AIMED AT SERVICE LANE PAVING
- 2700K LED
- BLACK FINISH

EXTERIOR LIGHT FIXTURES

JOHN JEFFRIES HOTEL | BHAC HEARING | 2017.11/16 | PG 20

© 2017 HACIN ARCHITECTS LLC ALL RIGHTS RESERVED.

DATE	PROJECT	FIRM	TYPE
------	---------	------	------

RISE IS A SYSTEM OF BEAUTIFULLY DESIGNED OUTDOOR RATED LUMINAIRE THAT PROVIDE EFFICIENT AND POWERFUL LIGHT USING THE LATEST IN LED TECHNOLOGY. RISE F170 SINGLE IS A POWERFUL AND COMPACT LED LIGHT FIXTURE, DELIVERING UP TO 2900 LUMENS, THAT CAN BE USED IN SPOT, ACCENT, LANDSCAPE AND FLOODLIGHT APPLICATIONS. ITS UNIQUE MACRO™ LOCK FEATURE ALLOWS FOR FULL 180 DEGREE TILT AND 360 DEGREE PAN AIMABILITY USING ONLY ONE TOOL.



FEATURES :

- ONLY 5° LASER SPOT
- STRONGEST CBCP IN MARKET
- POWERFUL OUTPUT 1200-2900LMS
- MACRO™ LOCK - 180° TILT AND 360° PAN
- 11 UNIQUE BEAM ANGLES
- MULTIVOLT (110-277V)
- 8 CCTS: 2200K THROUGH 6500K
- 80+ AND 90+ CRI
- DIMMABLE TO 5%
- IP66 RATED

F170	FIXTURE MODEL	FIXTURE CONFIG.	POWER/LUMEN OUTPUT*	CCT/COLOR	CRI	BEAM ANGLE	FINISHES	ACCESSORIES	WIRING AND MOUNTING
	F170	IS - Single Head	LO - Low Output MO - Medium Output HO - High Output	22 - 2200K 25 - 2500K 27 - 2700K 30 - 3000K 35 - 3500K 40 - 4000K 50 - 5000K 65 - 6500K RD - Red GR - Green BL - Blue AM - Amber	8 - 80 9 - 90* X - For RD, GR, BL, AM *90 CRI not available in 2200K, 2500K, 5000K, and 6500K	05 - Laser Spot (5°) 10 - Very Narrow Spot (10°) 15 - Narrow Spot (15°) 20 - Spot (20°) 40 - Flood (40°) 60 - Wide Flood (60°) 80 - Very Wide Flood (80°) E1 - Elliptical 1 (15°x60°) E2 - Elliptical 2 (30°x60°) E3 - Elliptical 3 (60°x15°) E4 - Elliptical 4 (60°x30°)	K - Black Z - Bronze S - Silver W - White C - Custom* *Select color at pantone.com	X - No Accessory H - Half Snoot F - Full Snoot C - Custom Will ship as X if not specified	A - 19" Flying Leads - Internal Cable IC; Bottom Exit; 1/2" NPT ; UL/CE Rated B* - 10' External Cable Side Exit; Surface Mount ; UL/CE Rated C* - 10' External Cable Bottom Exit; Surface Mount - 1/2" NPT ; UL/CE Rated Will ship as A if not specified XX

EXAMPLE: F170-IS-LO-22-8-05-S-X-A

*See Photometry Chart for Lumen Data

PERFORMANCE	WATTS	POWER	LUMEN OUTPUT	OPTIC	EFFICACY	CBCP
	13	Low Output	1321	5°	102	76,168
	25	Medium Output	2239	5°	90	129,065
	38	High Output	2907	5°	77	167,560

ALL LUMEN DATA IS FROM 4000K 80CRI FIXTURES. PLEASE SEE PHOTOMETRY SPEC SHEET FOR ADDITIONAL LUMEN DATA.

COLOR RENDERING INDEX	80+, 90+				
	3-STEP MACADAM ELLIPSE				
COLOR CONSISTENCY					
LUMEN DEPRECIATION / RATED LIFE	WATTS	L70 @ 25C	L70 @ 50C	L90 @ 25C	L90 @ 50C
	HIGH	>60,500* >(181,000)**	>36,3000* >(109,000)**	>60,500* >(69,800)**	>31,700*

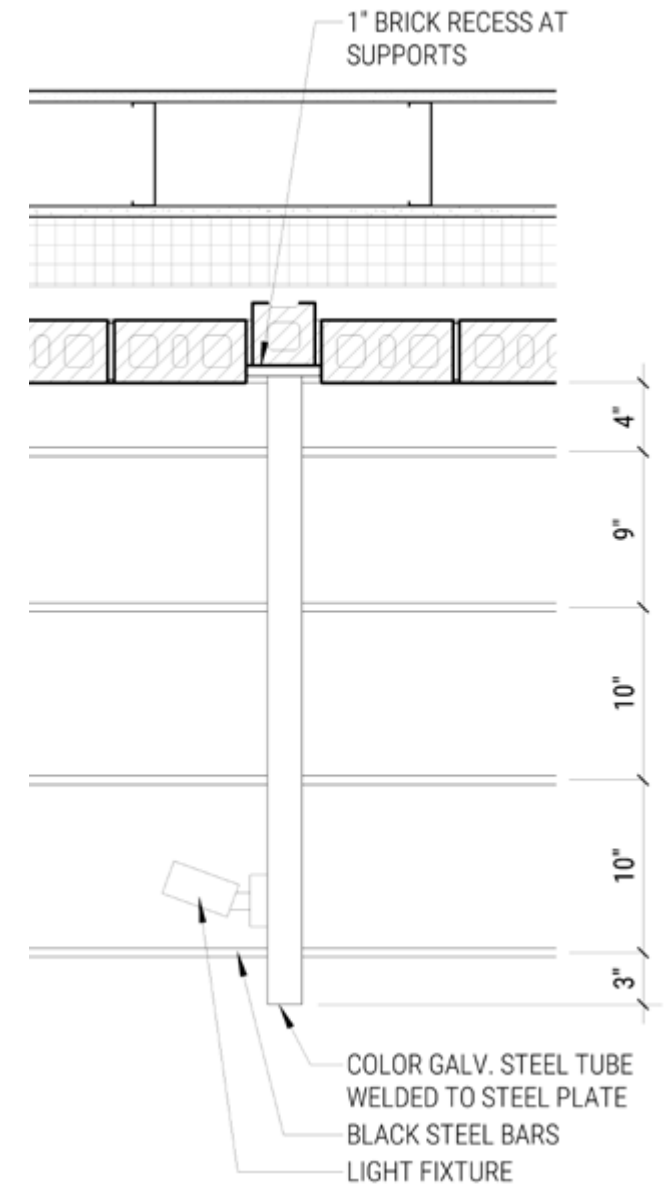
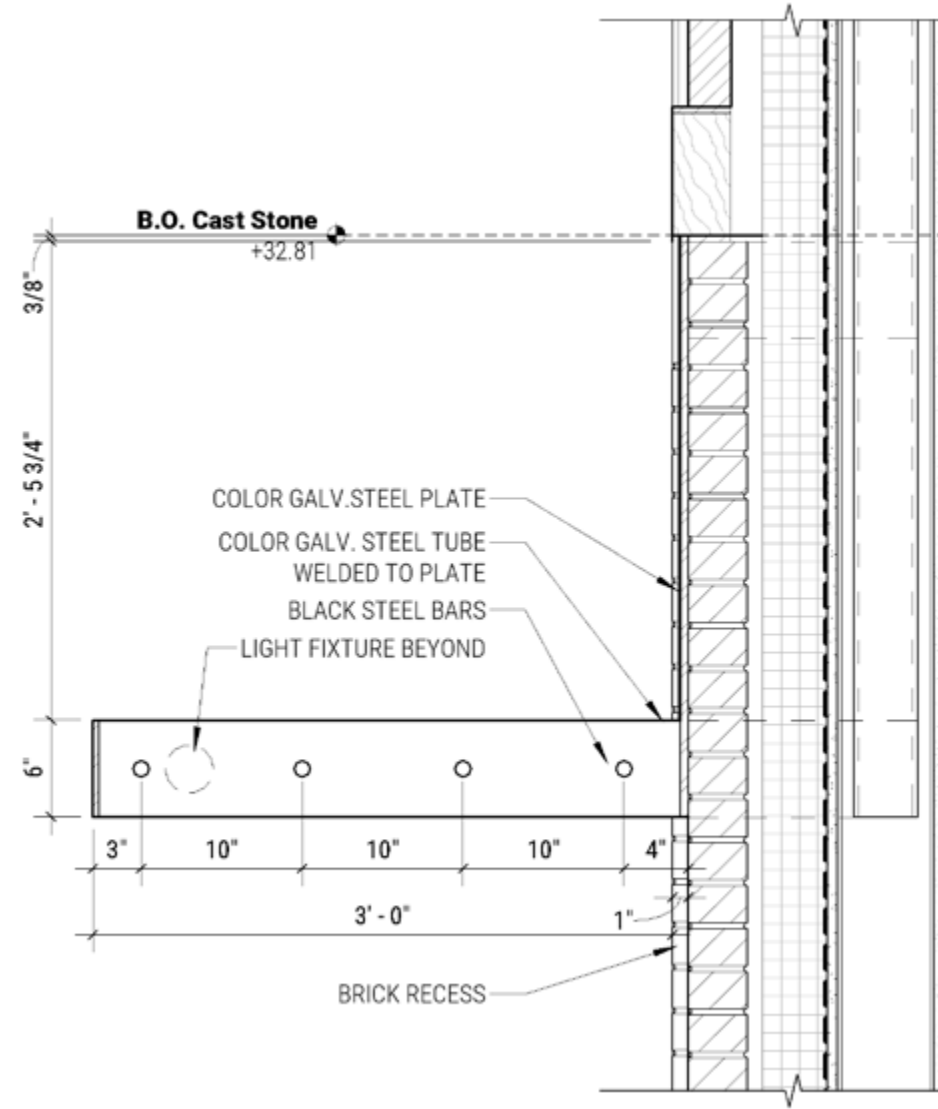
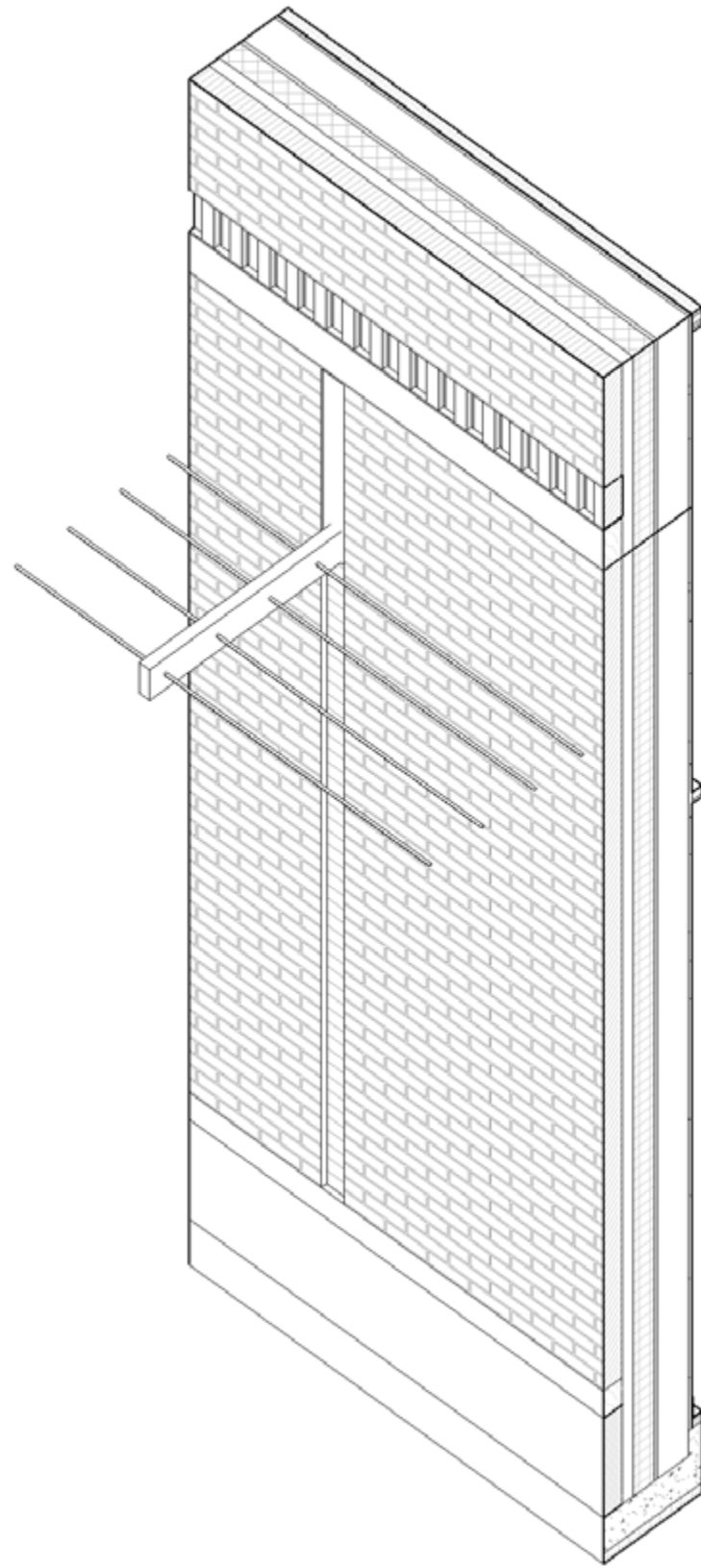
* ENERGY STAR REPORTED TESTING HOURS TO DATE. CALCULATIONS FOR LED FIXTURES ARE BASED ON MEASUREMENTS THAT COMPLY WITH IES LM-80 TESTING PROCEDURES AND IES TM-21 CALCULATOR
** ESTIMATED HOURS

NOTE: Information on this Spec Sheet is subject to change, please visit ecosenselighting.com/raise for the most updated information.

ECOSENSE LIGHTING INC. 837 NORTH SPRING STREET SUITE 103 LOS ANGELES, CA 90012	P • 310.496.6255 F • 310.496.6256 T • 855.632.6736 855.6.ECOSEN	SPECIFICATIONS SUBJECT TO CHANGE WITHOUT NOTICE. VISIT ECOSENSELIGHTING.COM FOR THE MOST CURRENT SPECIFICATIONS. © 2017 ECOSENSE LIGHTING INC. ALL RIGHTS RESERVED. ECOSENSE, THE ECOSENSE LOGO, RISE, TROY, SLIM COVE AND ECOSPEC ARE REGISTERED TRADEMARKS OF ECOSENSE LIGHTING INC. FREEDOM TO CREATE™	ECOSENSELIGHTING.COM	1/4
--	---	---	-----------------------------	------------

20170517





TRELLIS DETAILS

JOHN JEFFRIES HOTEL | BHAC HEARING | 2017.11/16 | PG 21

© 2017 HACIN ARCHITECTS LLC ALL RIGHTS RESERVED.





8/17/17 HEARING

CONNECTOR CURTAINWALL

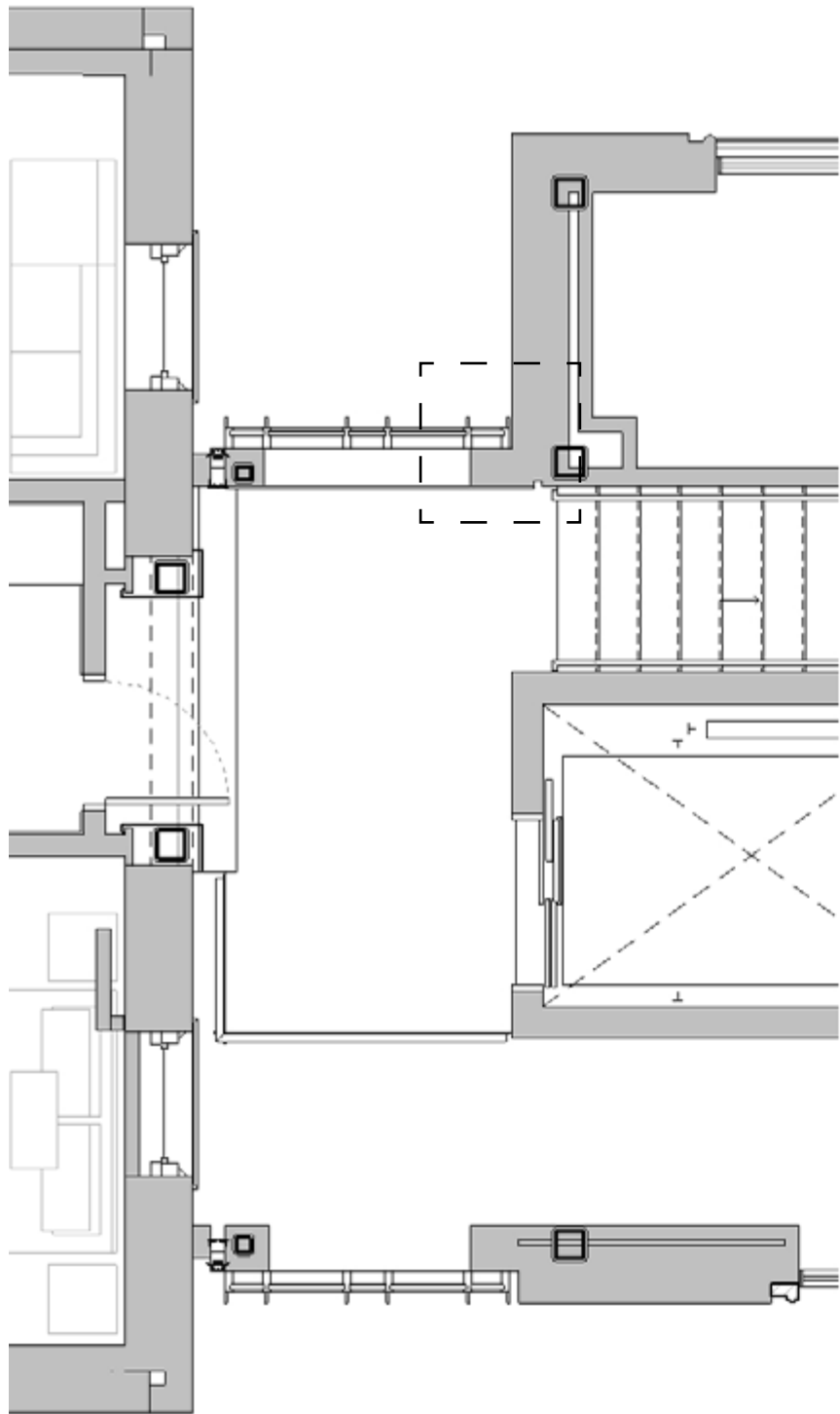
JOHN JEFFRIES HOTEL | BHAC HEARING | 2017.11.16 | PG 22

© 2017 HACIN ARCHITECTS LLC ALL RIGHTS RESERVED.

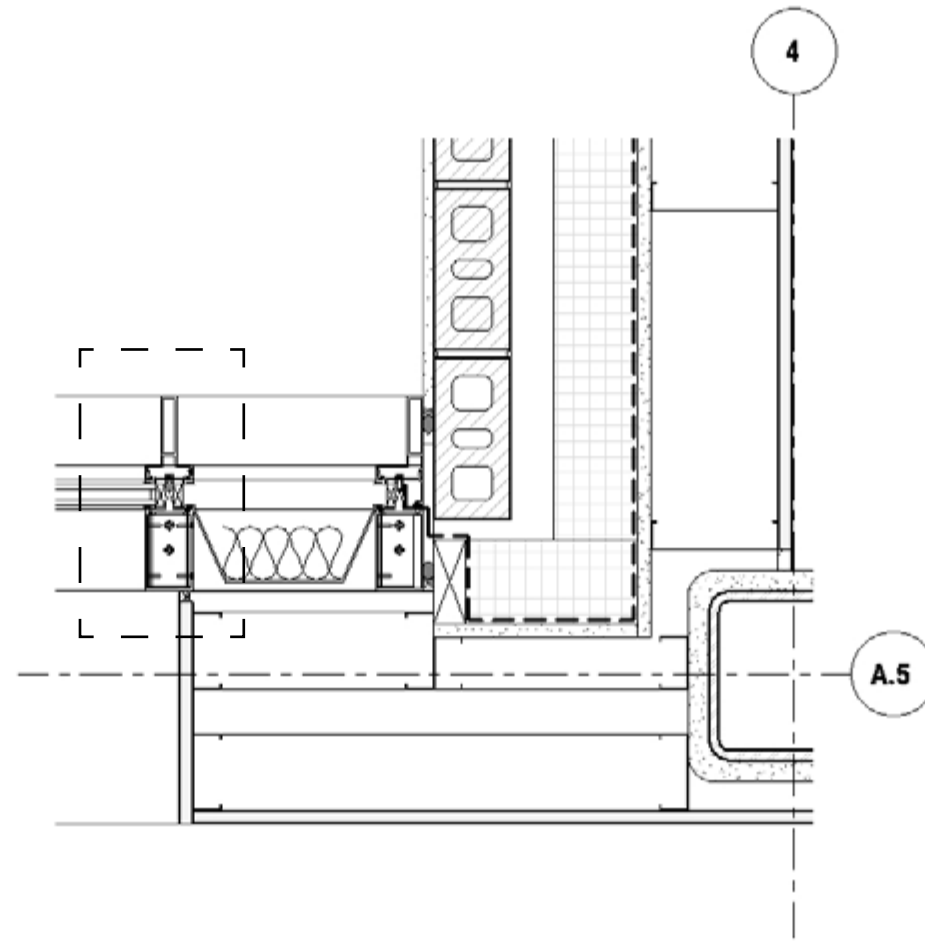


REVISED

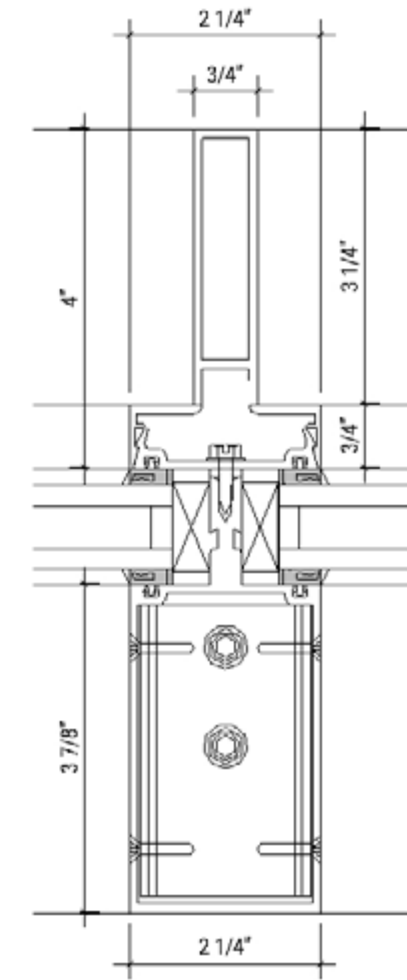




FLOOR PLAN AT CONNECTOR



CURTAINWALL PLAN DETAIL



MULLION DETAIL



VIEW OF CURTAINWALL

CONNECTOR CURTAINWALL - DETAILS

JOHN JEFFRIES HOTEL | BHAC HEARING | 2017.11.16 | PG 23

© 2017 HACIN ARCHITECTS LLC ALL RIGHTS RESERVED.





NIGHT LIGHTING DIAGRAM - VIEW FROM BRIDGE CROSSWALK

JOHN JEFFRIES HOTEL | BHAC HEARING | 2017.11.16 | PG 24

© 2017 HACIN ARCHITECTS LLC ALL RIGHTS RESERVED.





FLUSH & COVE LIGHTS
AT LOGGIA CEILING

LOGGIA PIER
ACCENT LIGHTS

ENTRY SCONCES

CUSTOM SIGN LIGHT
ENTRY DOWNLIGHTS

NIGHT LIGHTING DIAGRAM - VIEW FROM MBTA STATION

JOHN JEFFRIES HOTEL | BHAC HEARING | 2017.11.16 | PG 25

© 2017 HACIN ARCHITECTS LLC ALL RIGHTS RESERVED.





VIEW FROM MBTA STATION

JOHN JEFFRIES HOTEL | BHAC HEARING | 2017.11.16 | PG 26

© 2017 HACIN ARCHITECTS LLC ALL RIGHTS RESERVED.

