

APPLETON STREET

TREMONT STREET





REMOVE EX. SCONCES

REMOVE EX. ALUMINUM STOREFRONT ENTRY

REMOVE EX. MERRIL & CO. BLADE SIGN

TREMONT ST.

EX. STANDPIPE  
EXISTING LAMP POST

EX. TO REMAIN. BLACK ALUMINUM STOREFRONT WINDOWS WITH I.G. PANELS, TYP.

EXISTING SECURITY LIGHT

EXISTING LAMP POST

EX. TO REMAIN. BLACK ALUMINUM STOREFRONT ENTRY WITH I.G. PANELS





APPLETON ST.

EXISTING COPPER DOWNSPOUT

EX. BRICK MOUNTED JUNCTION BOX W/  
POWER FOR BLADE SIGN

EXISTING MERRILL & CO. BLADE SIGN WITH  
MOUNTING PLATE FASTENED TO BRICK

EXISTING WIRE STAYED MASA SIGN

EXISTING MASA AWNINGS

EXISTING KNOX BOX

EXISTING DOWNSPOUT





NEW BLADE SIGN ON METAL BRACKETS

RE-USE EXISTING POWER CIRCUIT,  
PAINT EX. J-BOX AND CONDUIT BLACK

6'-0"

10'-6"

APPLETON ST.



MORRIS  
NATHANSON  
DESIGN

BEACON

ARCHITECTURAL ASSOCIATES

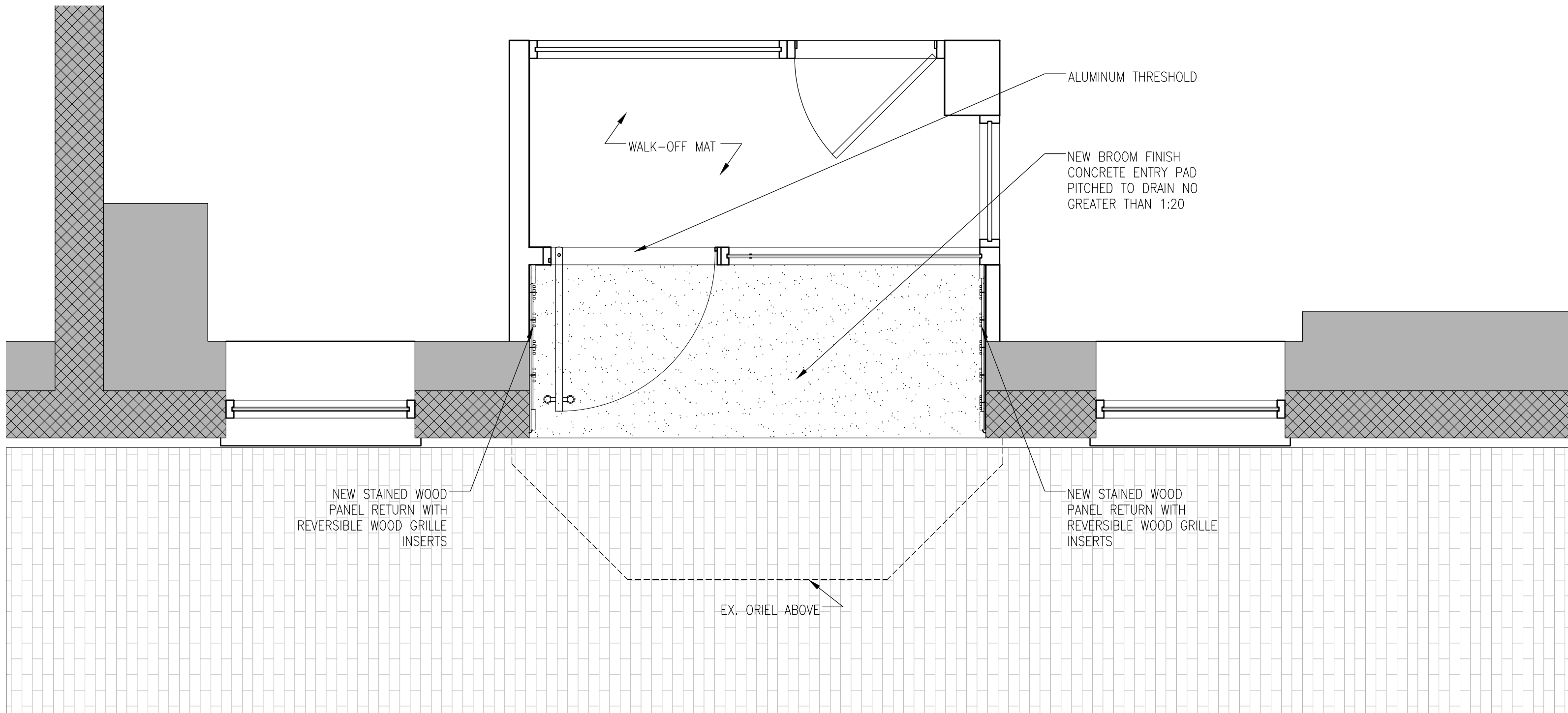
AKINTO  
1 APPLETON STREET

Proposed Building Elevation - Tremont Street

SCALE: 1/8" = 1'-0"

0' 4' 8' 16'





NEW STAINED WOOD  
 PANEL RETURN WITH  
 REVERSIBLE WOOD GRILLE  
 INSERTS

ALUMINUM THRESHOLD

NEW BROOM FINISH  
 CONCRETE ENTRY PAD  
 PITCHED TO DRAIN NO  
 GREATER THAN 1:20

WALK-OFF MAT

NEW STAINED WOOD  
 PANEL RETURN WITH  
 REVERSIBLE WOOD GRILLE  
 INSERTS

EX. ORIEL ABOVE

NEW FABRIC AWNING

EX. ORIEL

10'-10 5/8"

AKINTO

EX. BLACK ALUMINUM STOREFRONT WINDOW

NEW PAINTED WOOD GRILLE BEHIND TRANSOM, LIT FROM BELOW BY CONCEALED LED STRIP

BRASS ACCENT DOOR PULL

IDENTITY METAL HUNG STAINED CEDAR WOOD BLACK WITH HALO LIT ACRYLIC LETTERING

NEW BLACK ALUMINUM STOREFRONT SYSTEM

EX. STREET LAMP

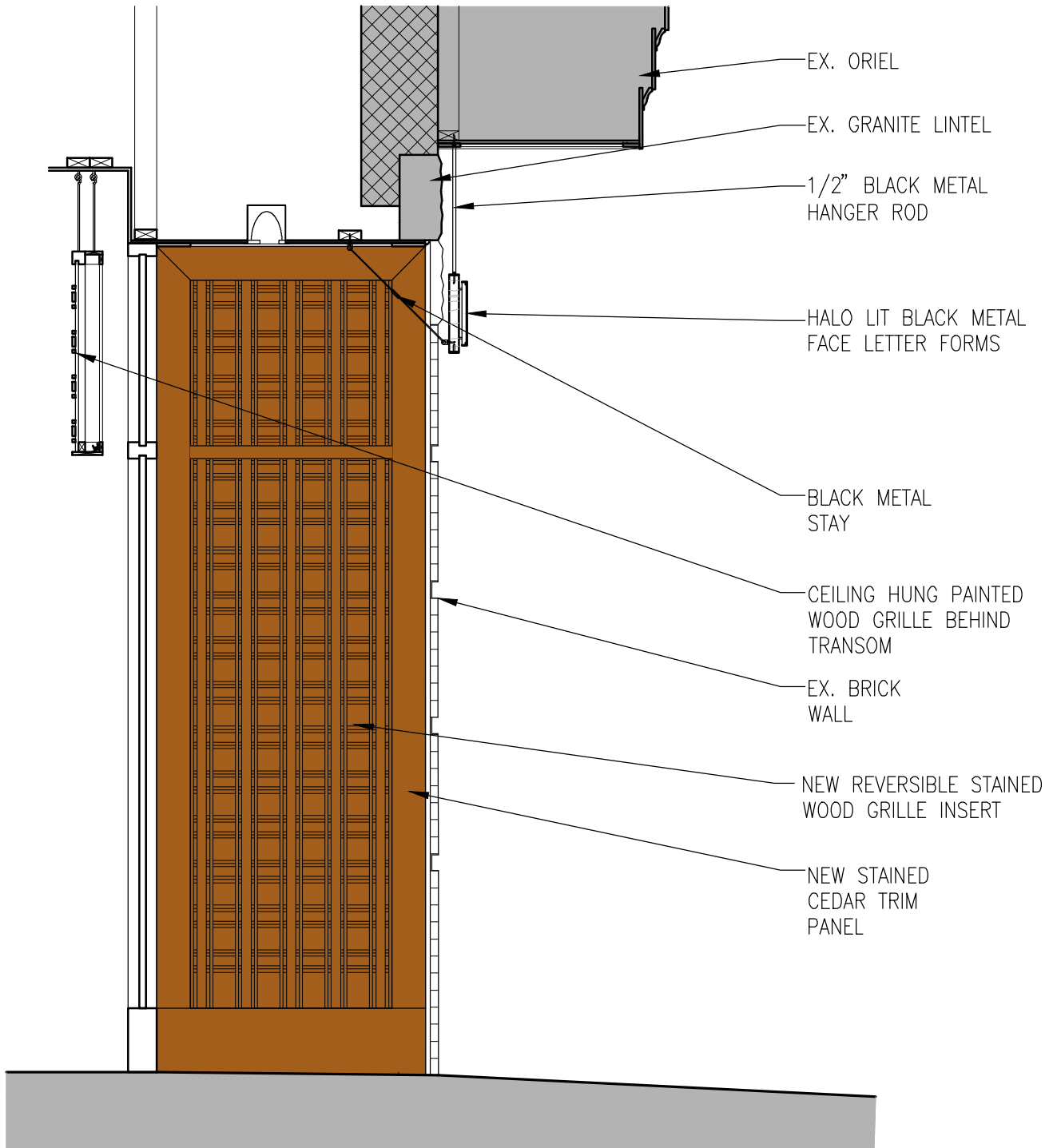
NEW FABRIC AWNING

NEW PAINTED WOOD GRILLE BEHIND TRANSOM, LIT FROM BELOW BY CONCEALED LED STRIP  
E.X. I.G. GLASS IN EX. BLACK ALUMINUM STOREFRONT WINDOW

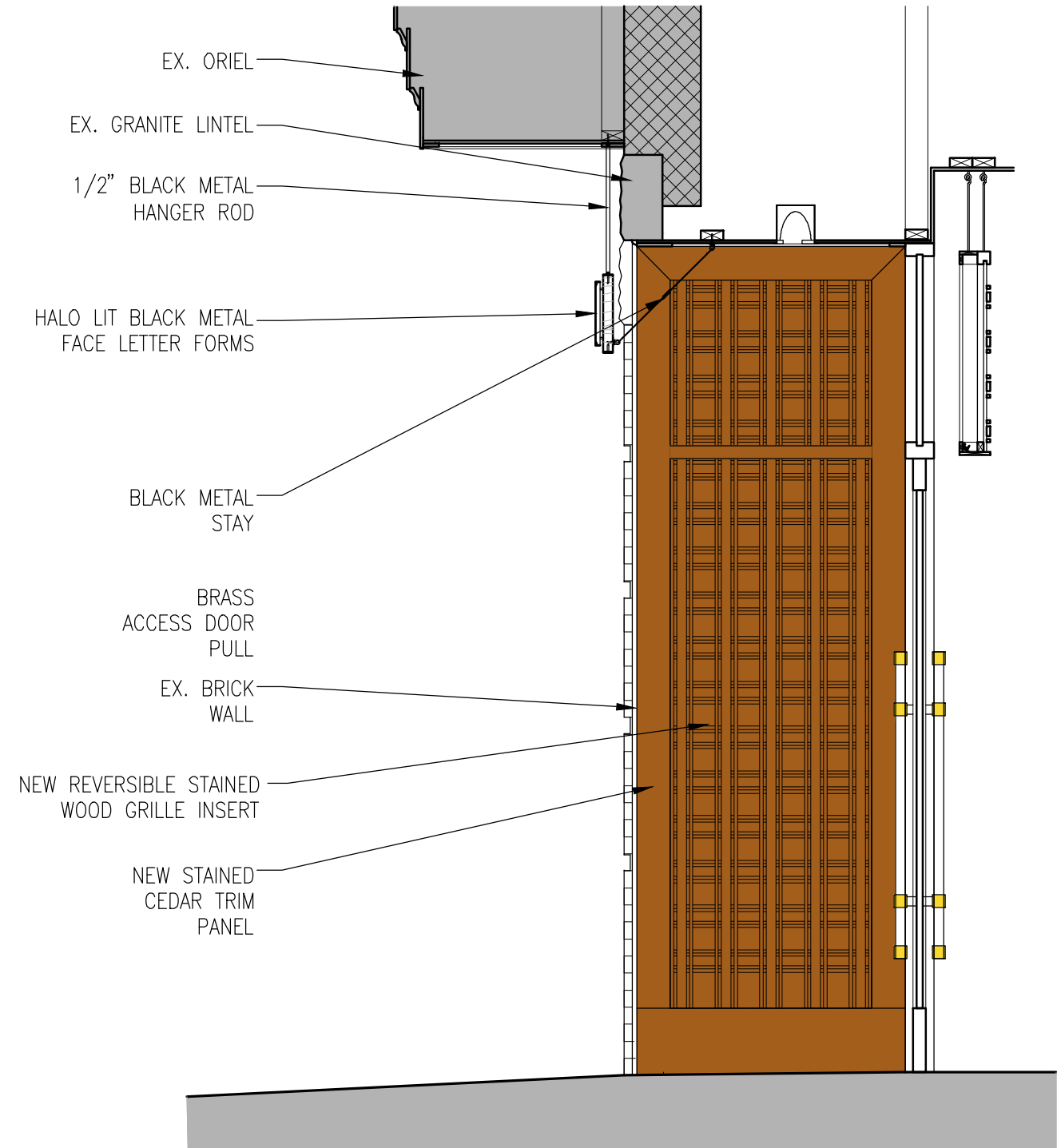


AKINTO  
1 APPLETON STREET

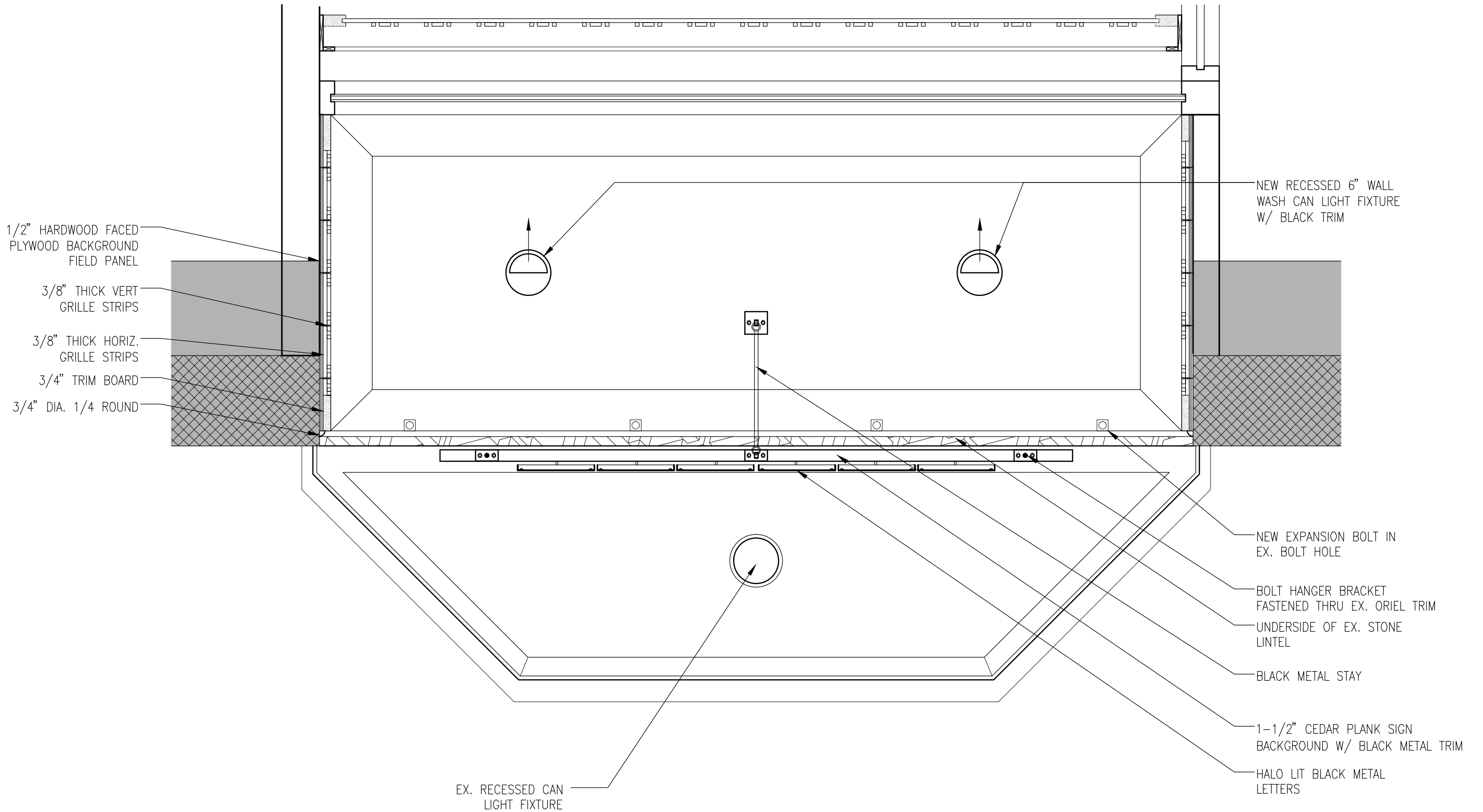
Enlarged Elevation @ Main Entry  
SCALE: 1/2" = 1'-0" 0' 1' 2' 4'

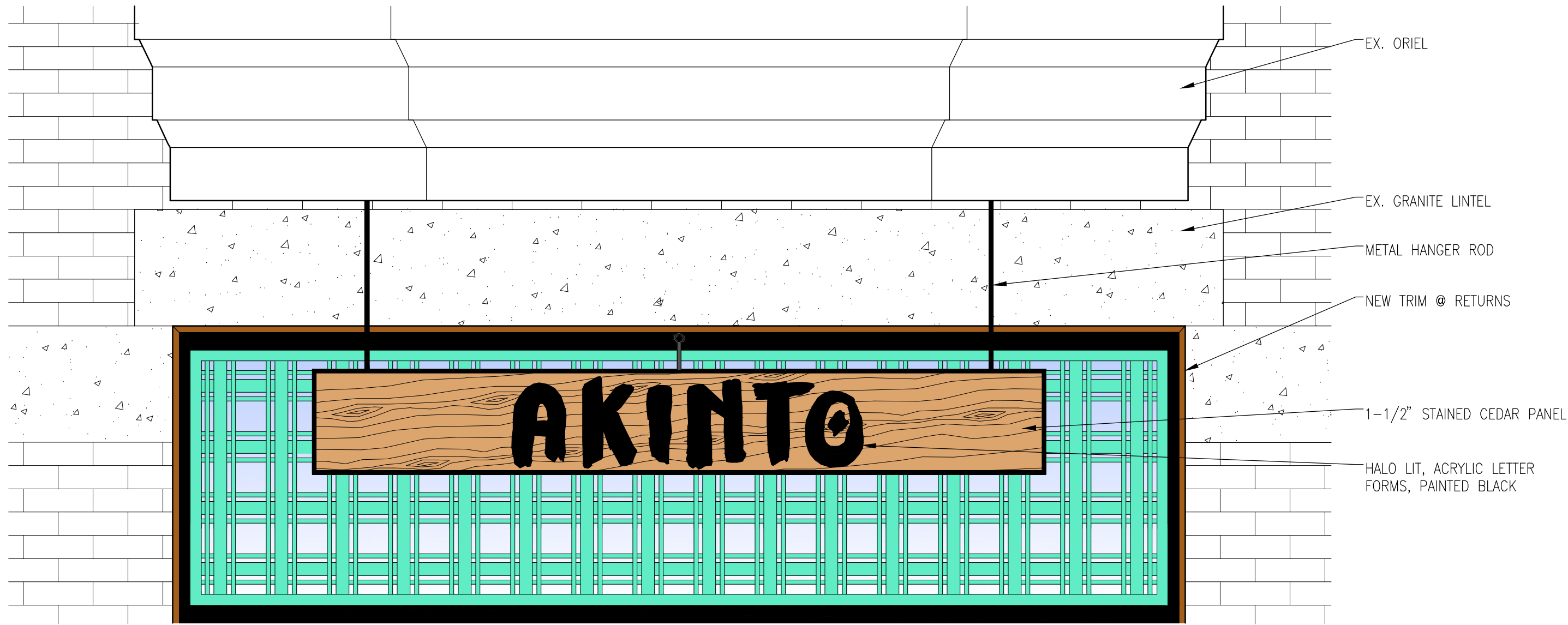


ENLARGED SECTION @ ENTRY LOOKING EAST

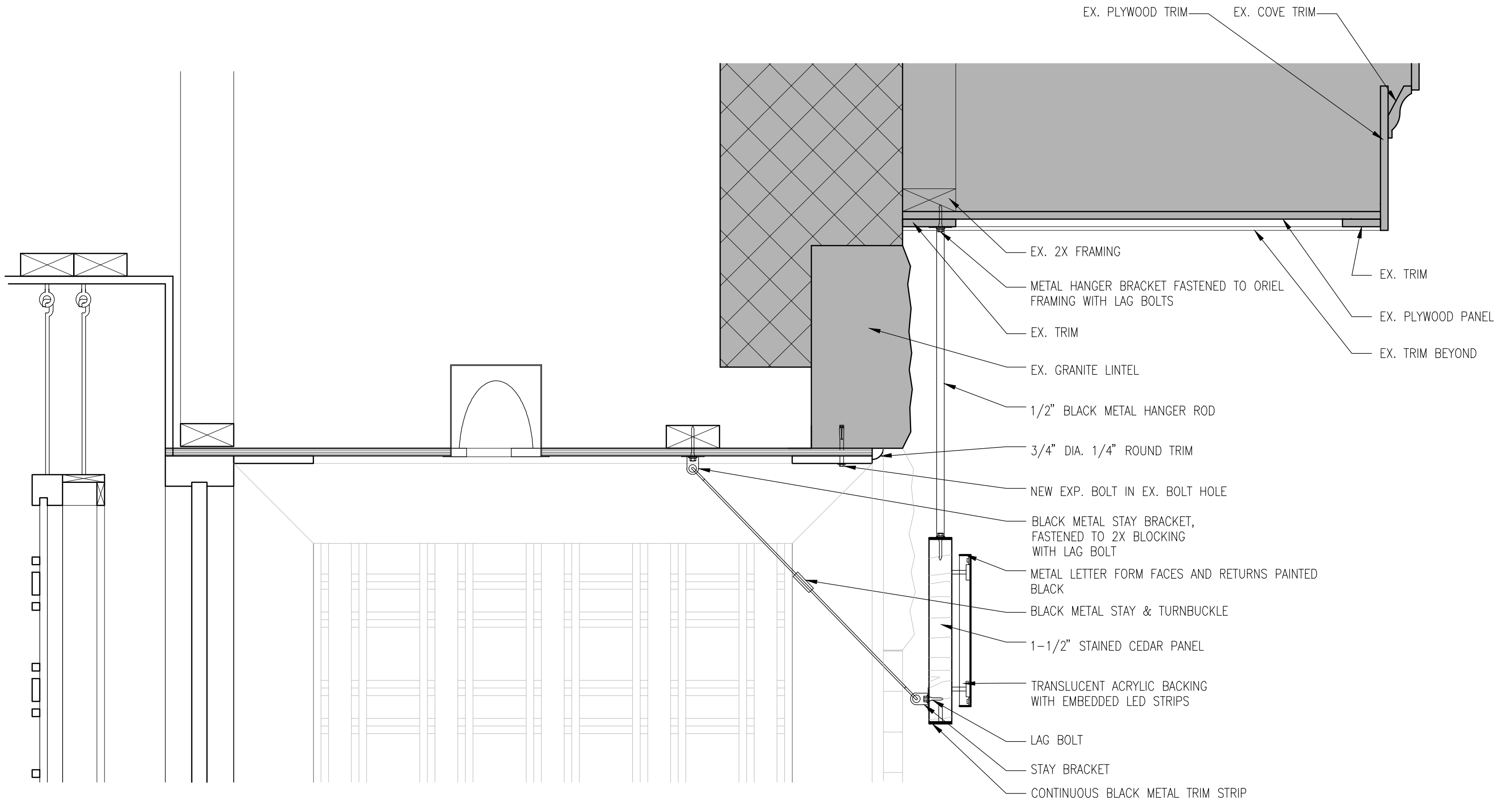


ENLARGED SECTION @ ENTRY LOOKING WEST









EX. PLYWOOD TRIM      EX. COVE TRIM

EX. TRIM  
EX. PLYWOOD PANEL  
EX. TRIM BEYOND

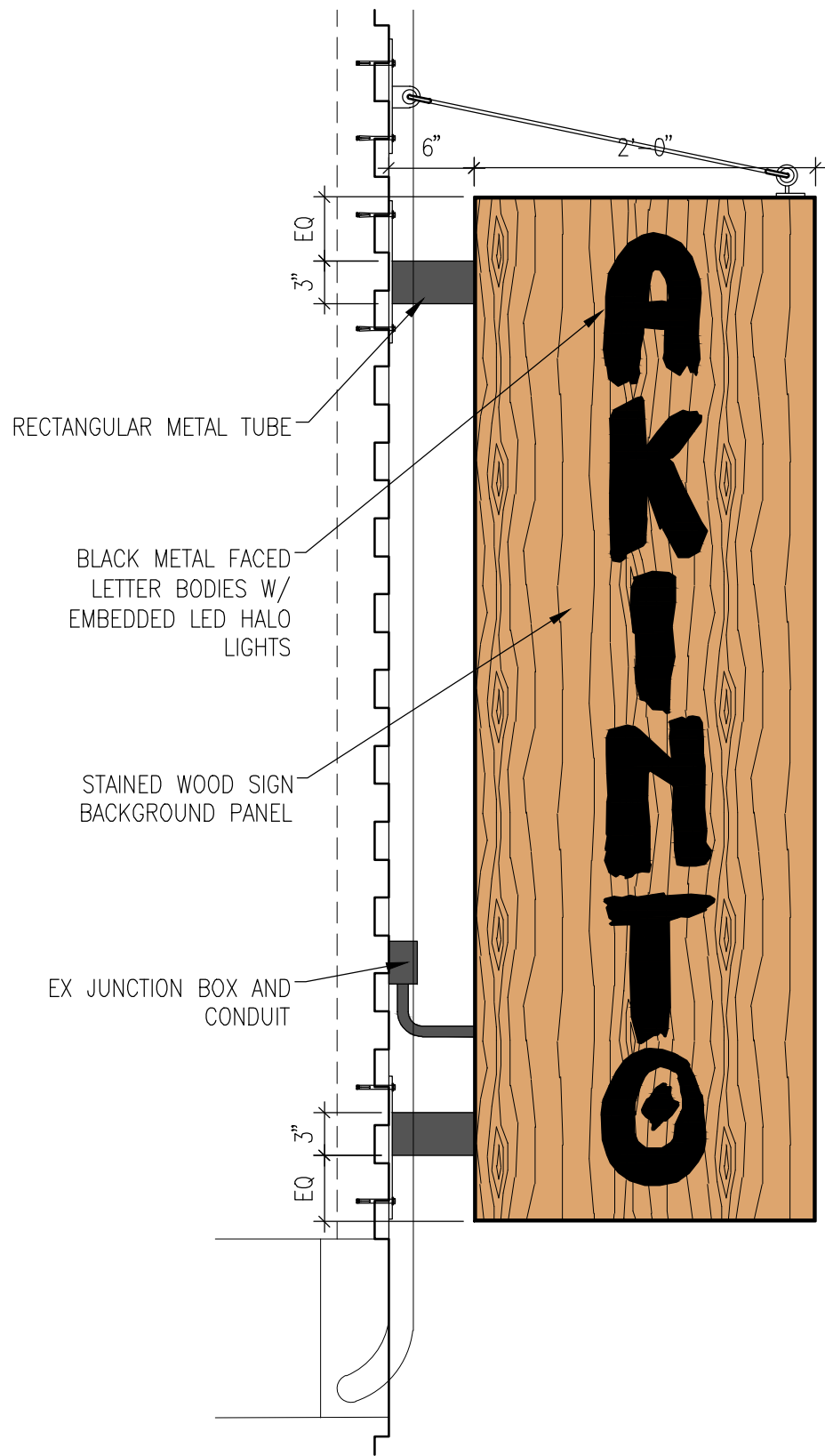
EX. 2X FRAMING  
METAL HANGER BRACKET FASTENED TO ORIEL FRAMING WITH LAG BOLTS  
EX. TRIM  
EX. GRANITE LINTEL

1/2" BLACK METAL HANGER ROD  
3/4" DIA. 1/4" ROUND TRIM

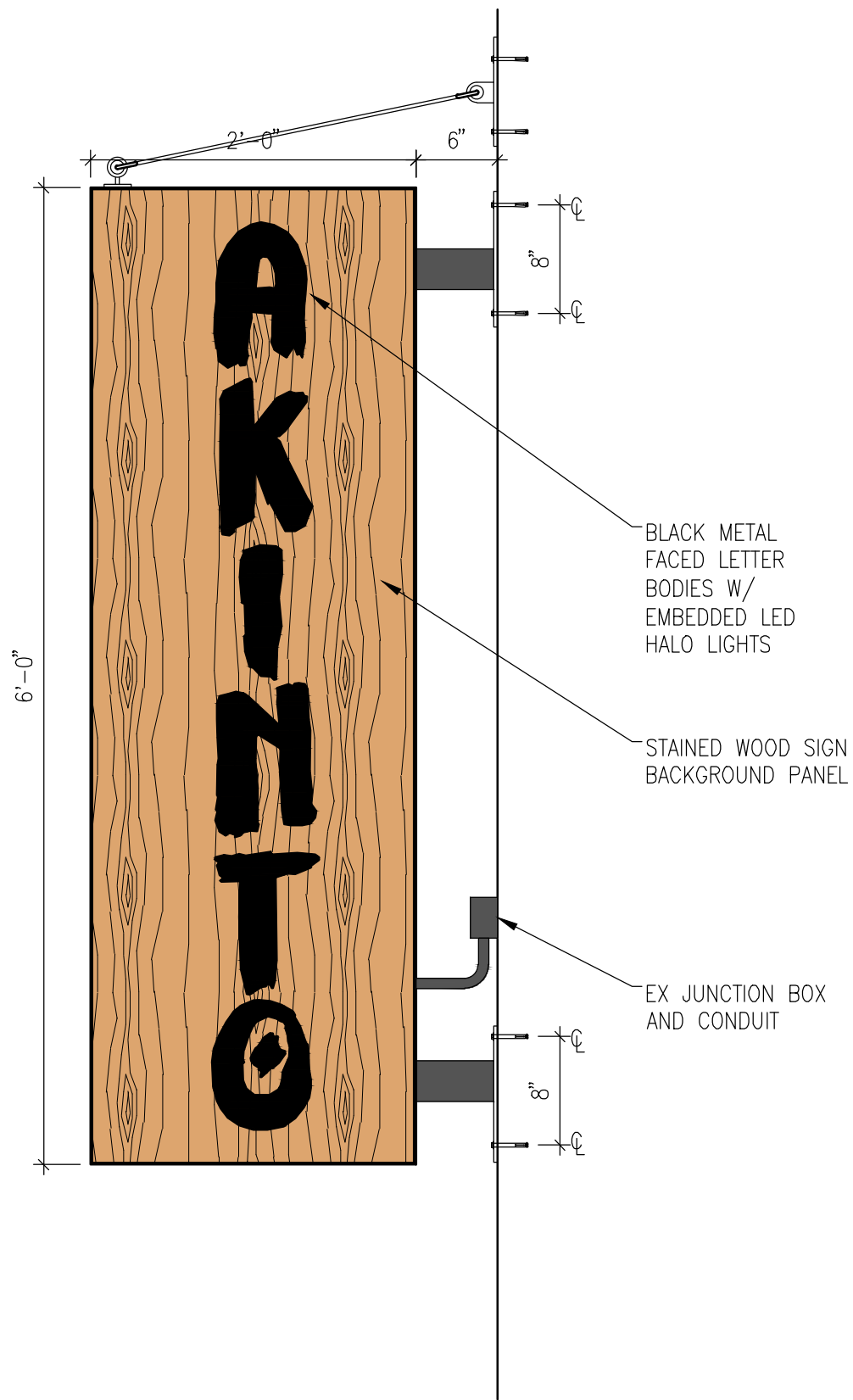
NEW EXP. BOLT IN EX. BOLT HOLE  
BLACK METAL STAY BRACKET, FASTENED TO 2X BLOCKING WITH LAG BOLT

METAL LETTER FORM FACES AND RETURNS PAINTED BLACK  
BLACK METAL STAY & TURNBUCKLE  
1-1/2" STAINED CEDAR PANEL

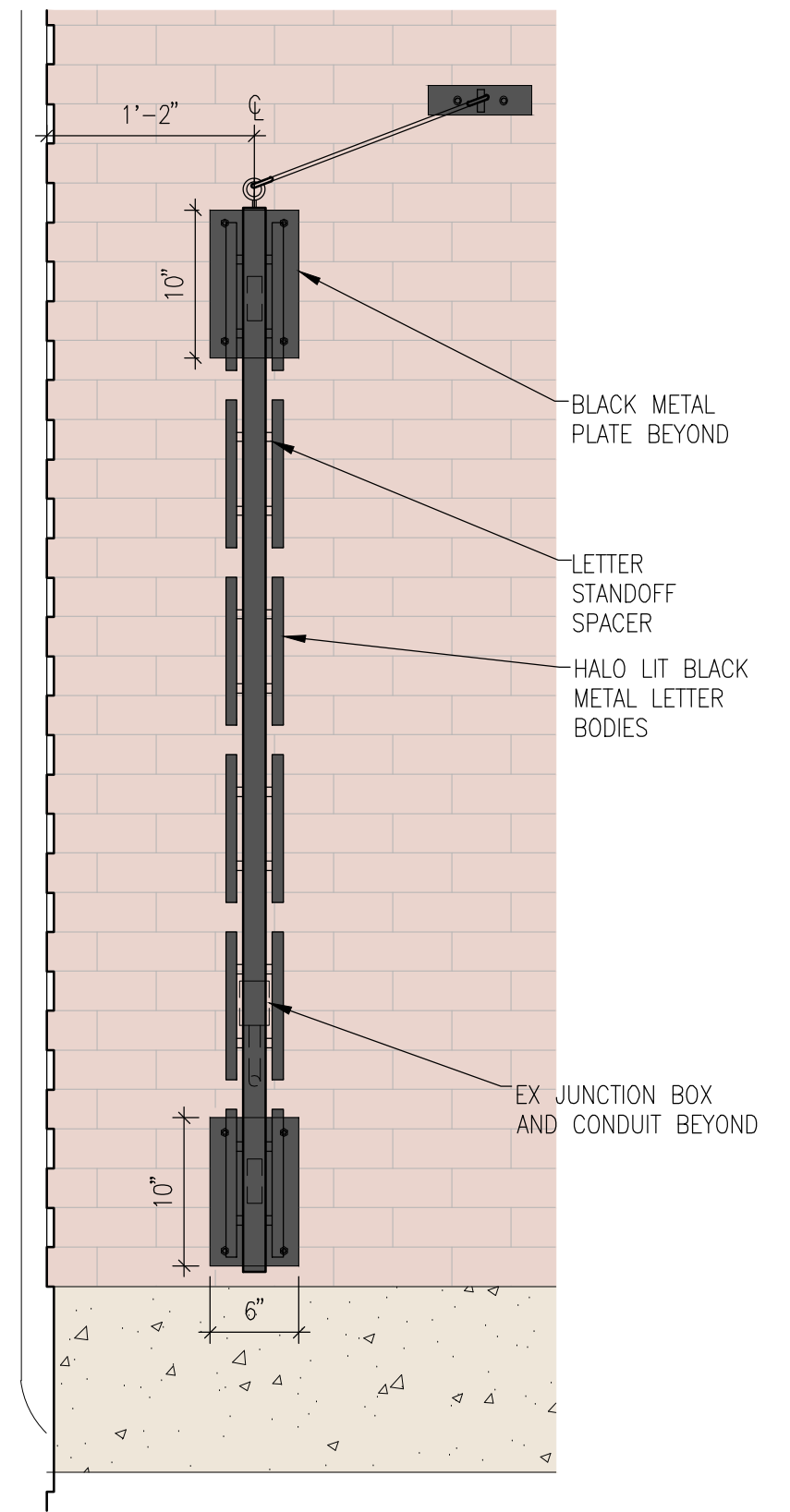
TRANSLUCENT ACRYLIC BACKING WITH EMBEDDED LED STRIPS  
LAG BOLT  
STAY BRACKET  
CONTINUOUS BLACK METAL TRIM STRIP



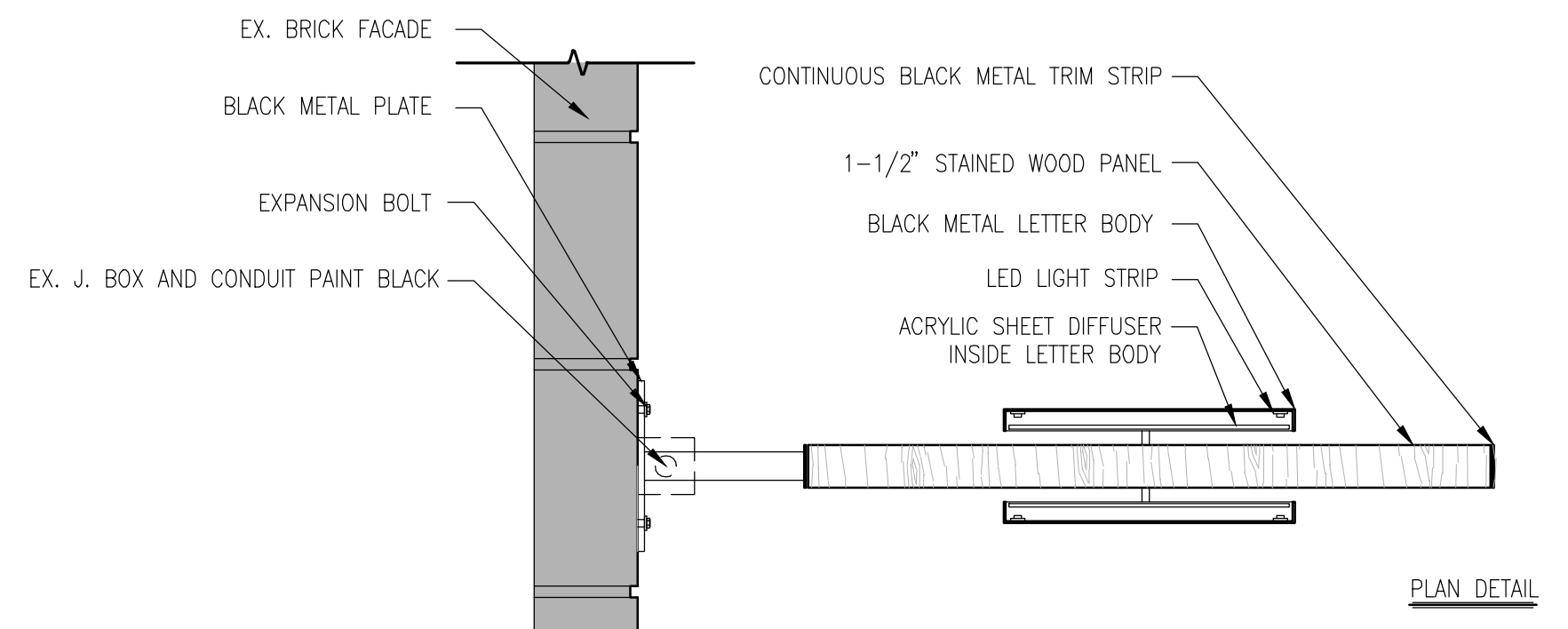
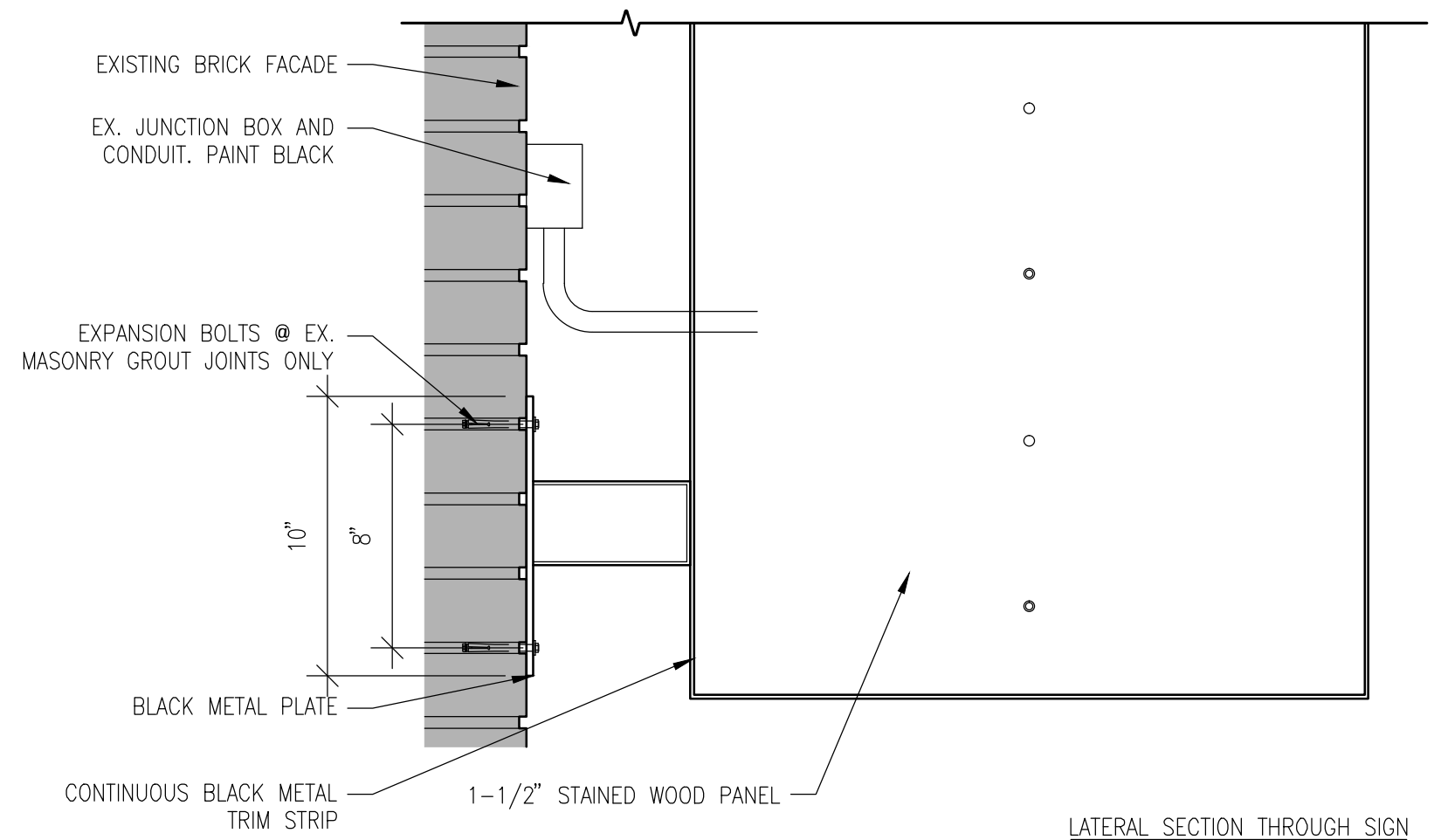
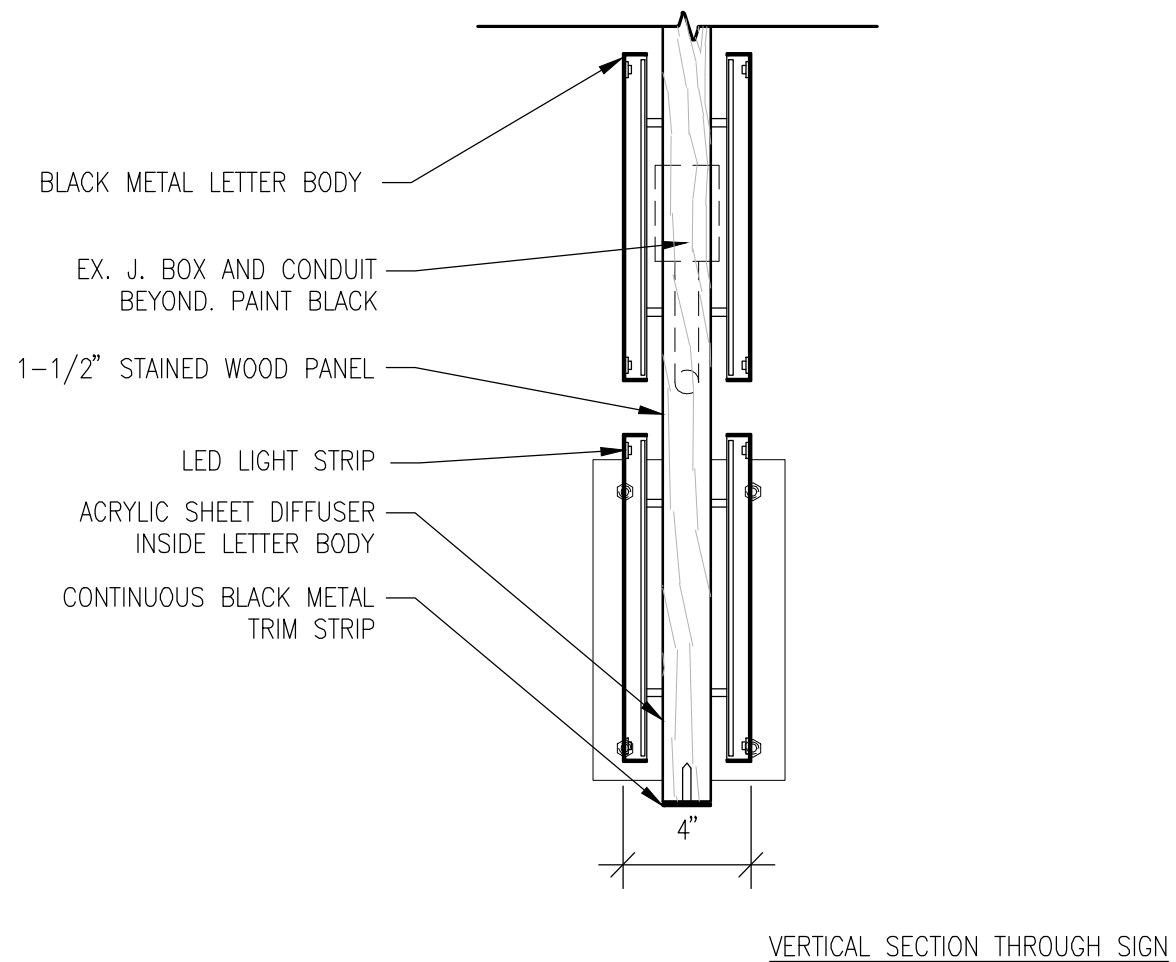
ENLARGED BLADE SIGN ELEVATION WEST

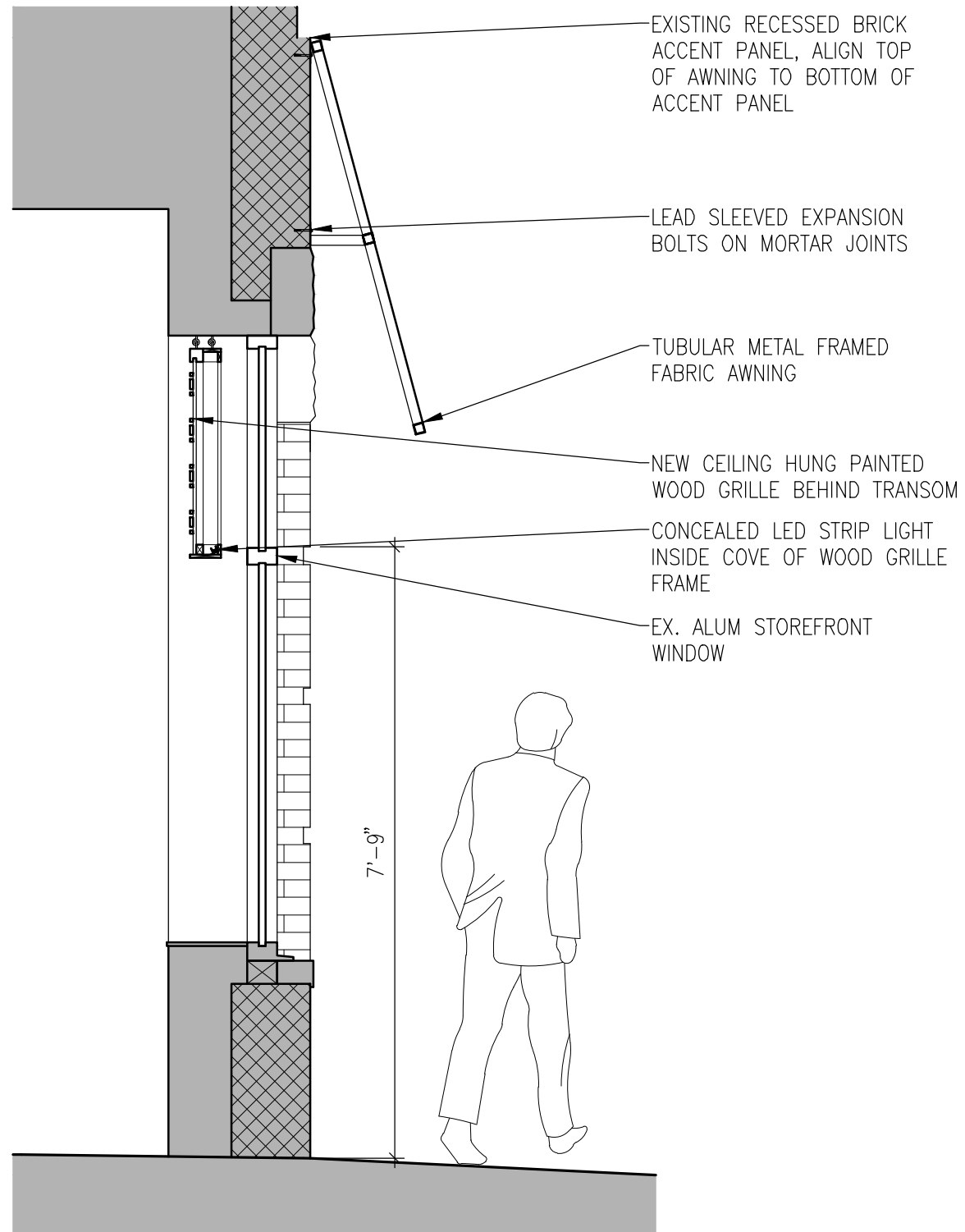


ENLARGED BLADE ELEVATION EAST

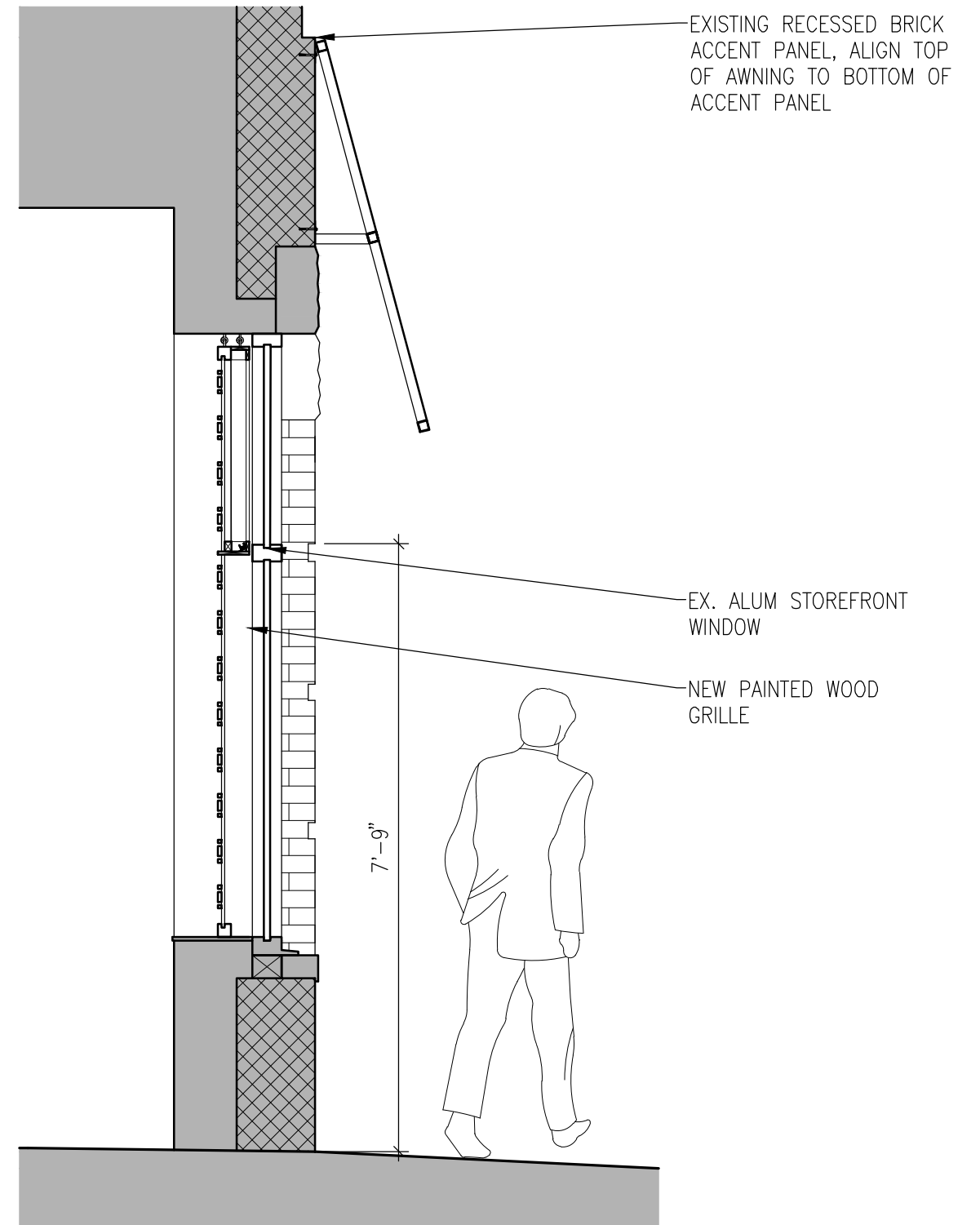


ENLARGED BLADE SIGN ELEVATION FRONT

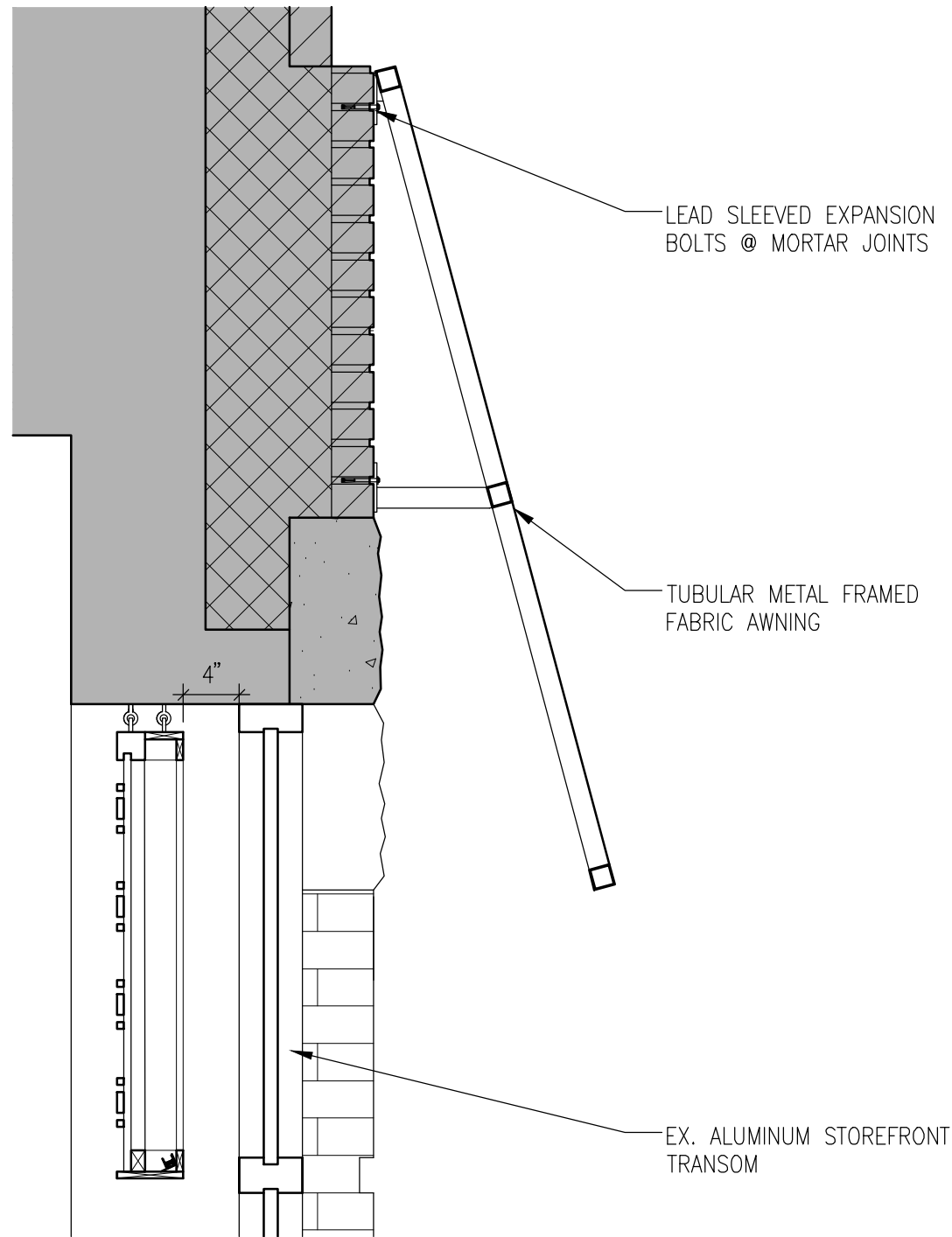




ENLARGED SECTION @ TYP. WOOD GRILL @ TRANSOM



ENLARGED SECTION @ LARGE WOOD GRILL

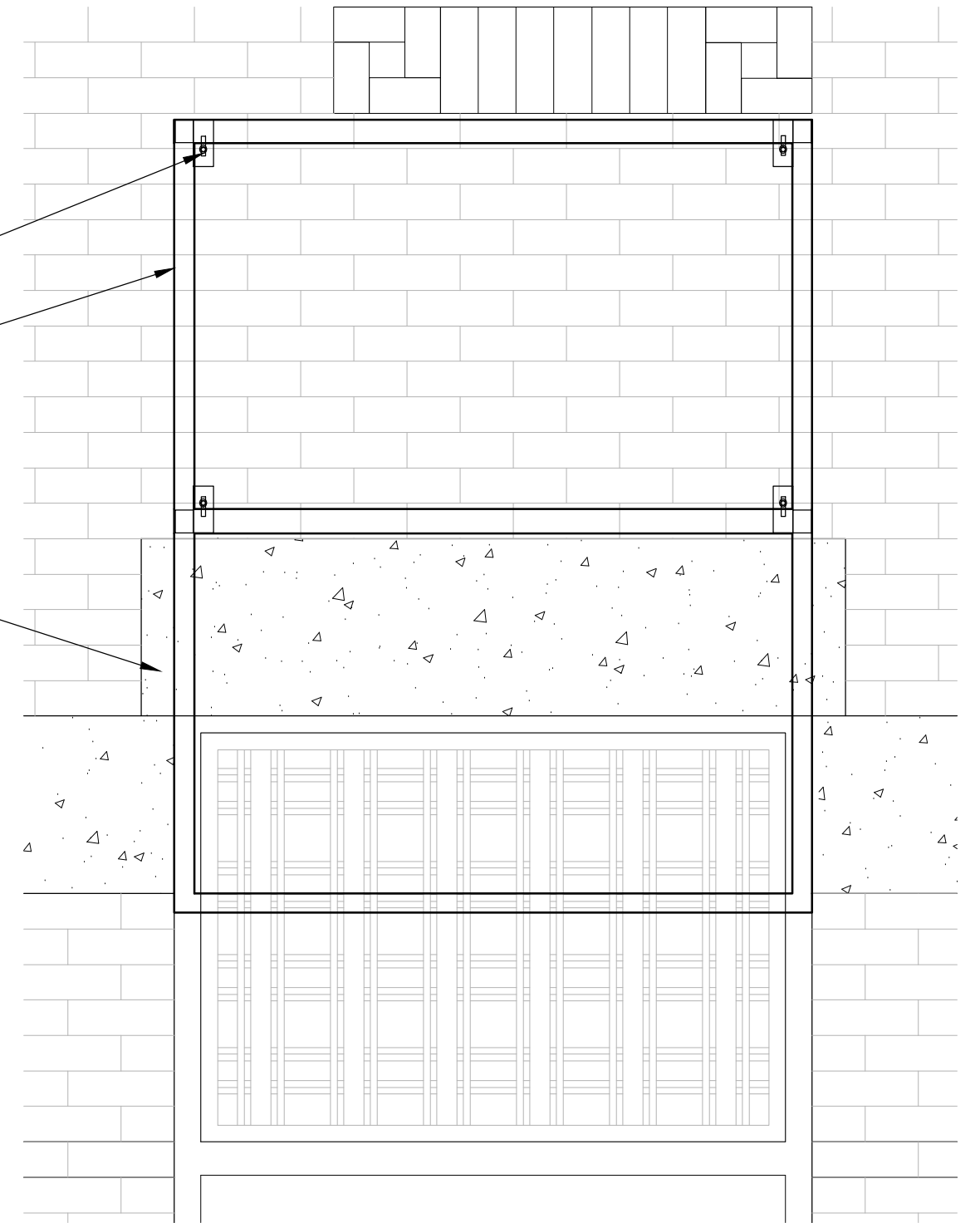


ENLARGED AWNING SECTION

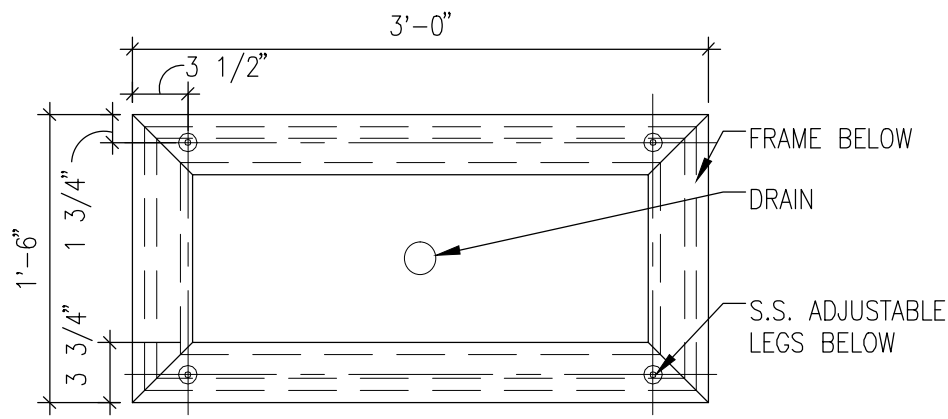
METAL MOUNTING TAB W/ SLOT FOR ALIGNING EXP. BOLTS TO MORTAR JOINT

1-1/2" METAL TUBE AWNING FRAME

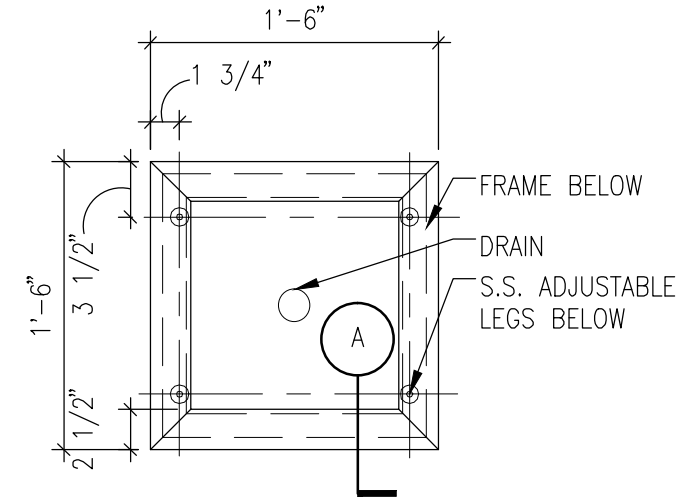
EX/ GRANITE LINTEL



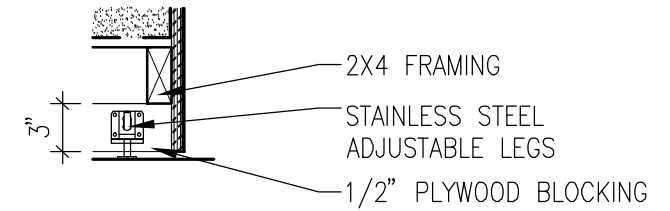
ENLARGED AWNING ELEVATION



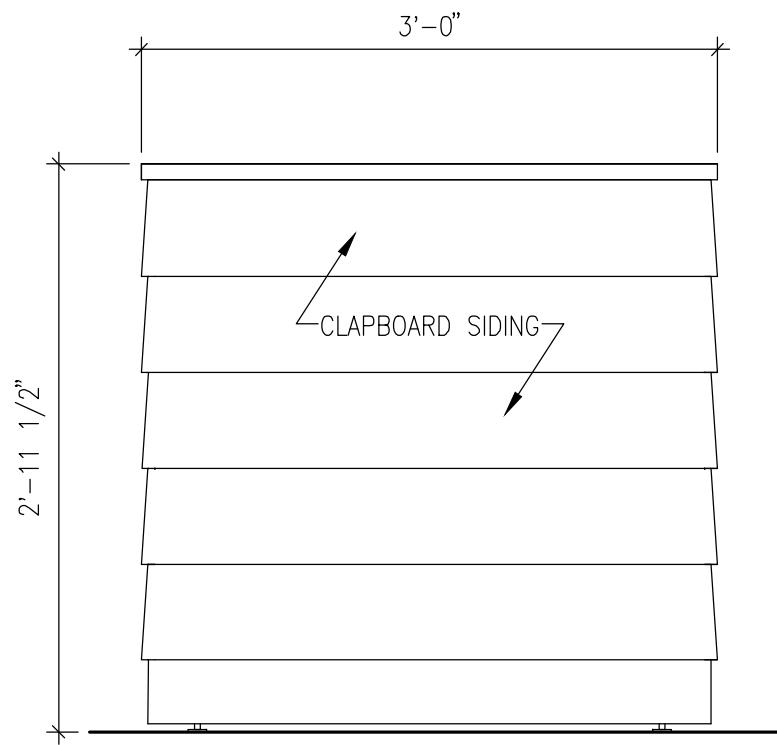
PLANTER 1 PLAN



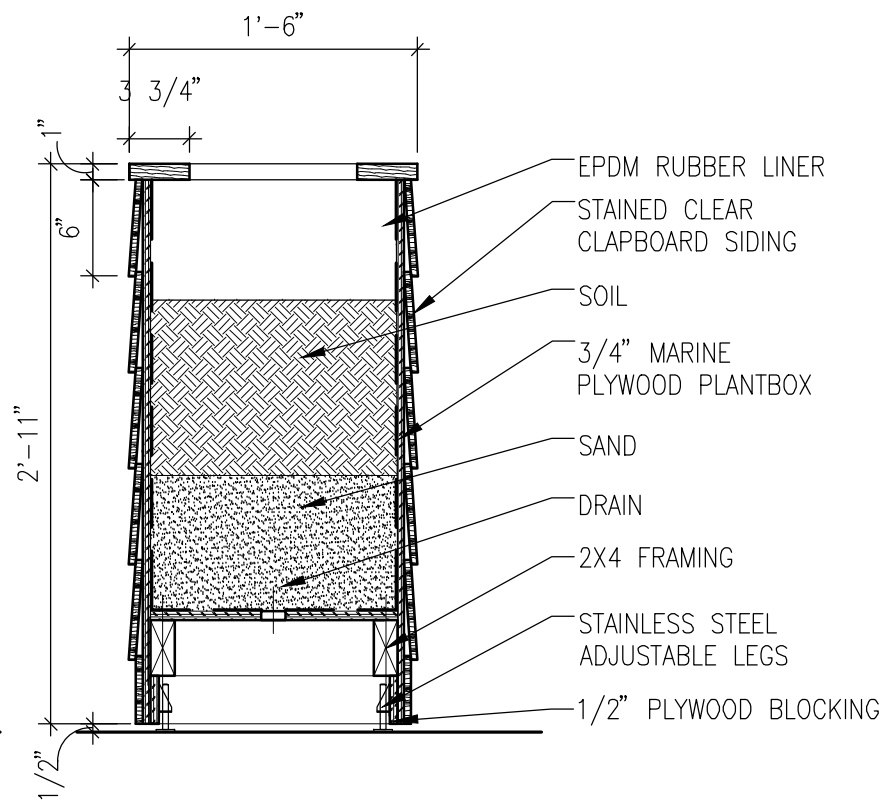
PLANTER 2 PLAN



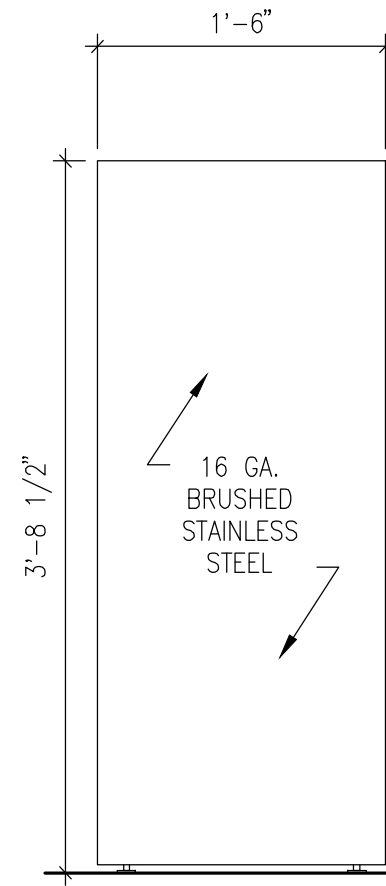
DETAIL A



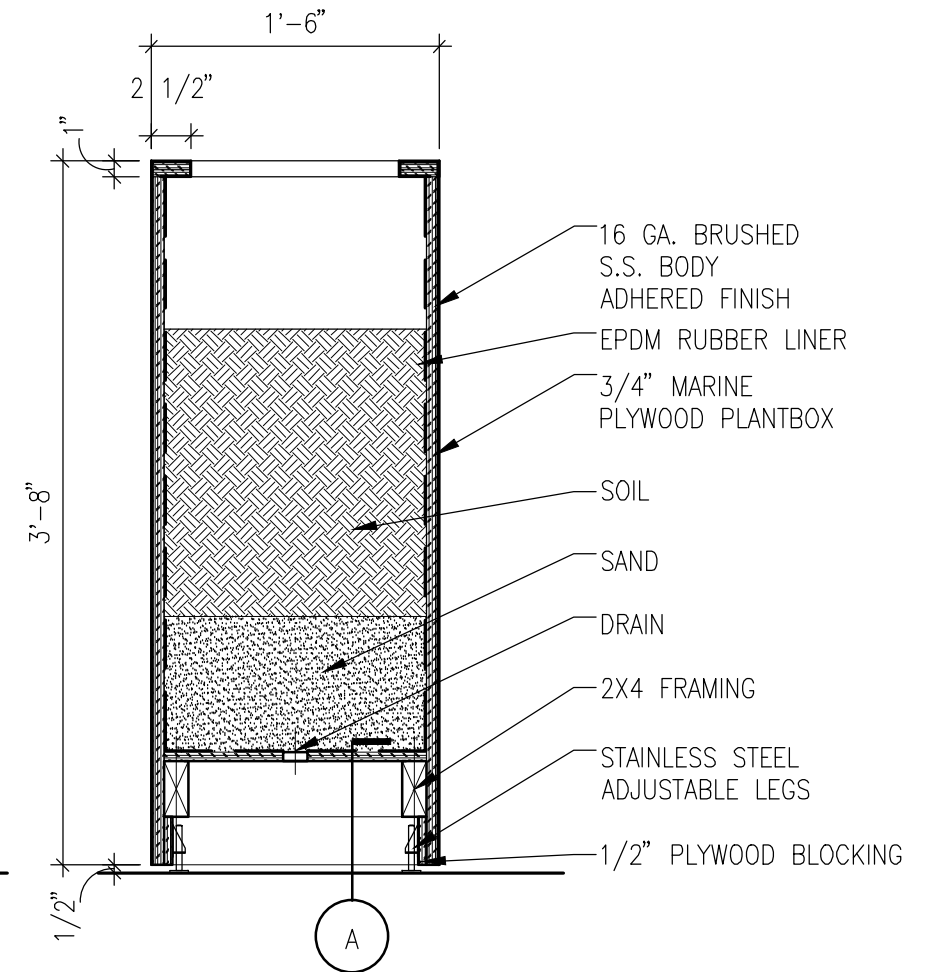
PLANTER 1 ELEVATION



PLANTER 1 SECTION



PLANTER 2 ELEVATION



PLANTER 2 SECTION