

NOT FOR PRODUCTION

SURVEY REQUIRED FOR PRODUCTION

ACCESS
Your Sign Department
www.accessigns.com
2351 Boul. Fernand-Lafontaine, Longueuil, Qc J4N 1N7
tél: 450.674.3333 / 888.655.6866 / fax: 450.674.4098

Ce dessin est la propriété d'ENSEIGNES ACCESS INC.
et est protégé en vertu de la loi sur les droits d'auteurs.

11242_DT17_Boston_Blade_01



**PRELIMINARY
FINAL**

CLIENT APPROBATION

Signature
Name

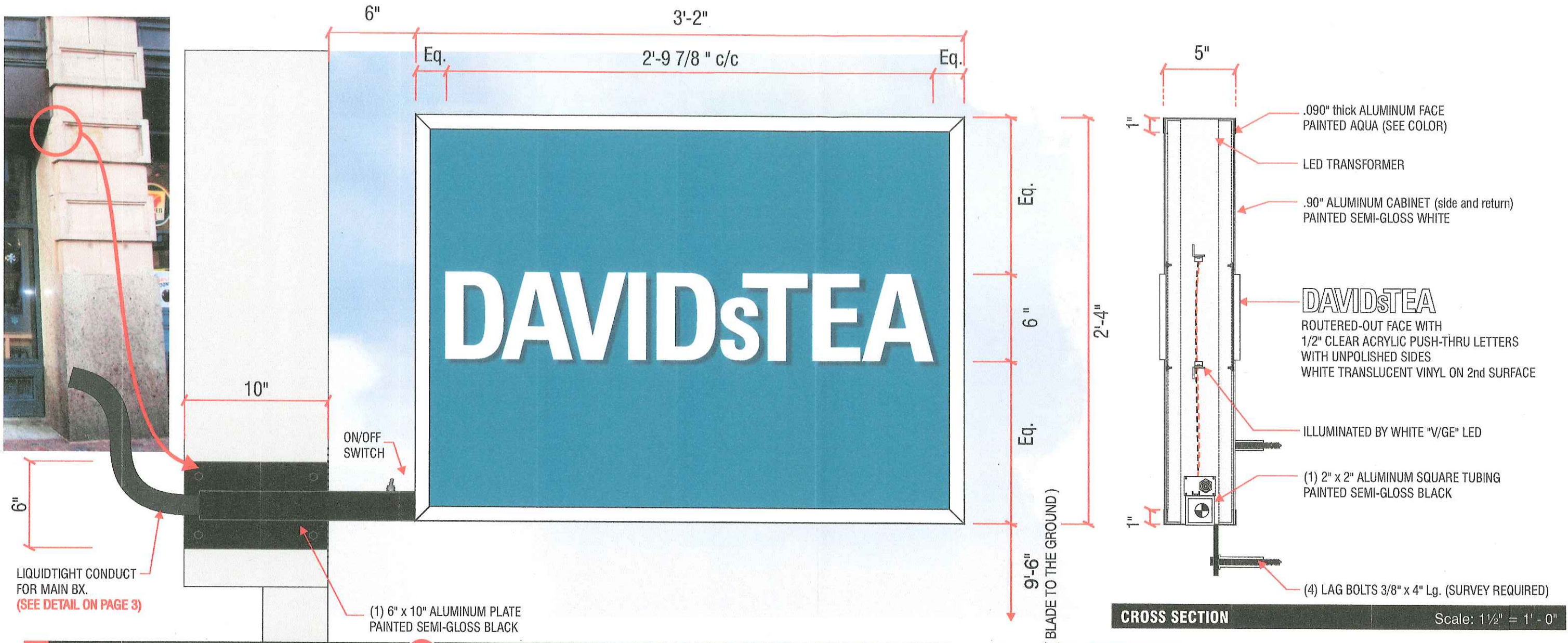
Revisions	Date

DAVIDsTEA

DAVIDsTEA
298 Washington Street
Boston, MA 02166

Date: 30-03-2017

Drawing by: JF Mailhot Acc. Rep.: T. Derkson UL: #E183093 Request: #11242 Page: 3/3



A GRAPHIC ELEVATION 1X
 (1) DOUBLE-FACE ILLUMINATED PUSH-THRU BLADE SIGN

Scale: 1 1/2" = 1' - 0"

CROSS SECTION Scale: 1 1/2" = 1' - 0"

NOT FOR PRODUCTION		WARNING	
SURVEY REQUIRED FOR PRODUCTION		BLOCKING BY G.C.	
HARDWARE BY INSTALLER		HARDWARE BY INSTALLER	
COLORS		Voltage	120V
<input checked="" type="checkbox"/> P1 PAINTED AQUA (AKZO #459-B5) S/G		AREA (EACH)	7.38 sf / 0.68 m²
<input type="checkbox"/> P2 PAINTED WHITE S/G FINISH		SIGN LOCATION	INTERIOR <input type="checkbox"/> EXTERIOR <input checked="" type="checkbox"/>
<input type="checkbox"/> P3 PAINTED BLACK S/G FINISH			

ACCESS
 Your Sign Department
 www.accessigns.com
 2351 Boul. Fernand-Lafontaine, Longueuil, Qc J4N 1N7
 tél: 450.674.3333 / 888.655.6866 / fax: 450.674.4098

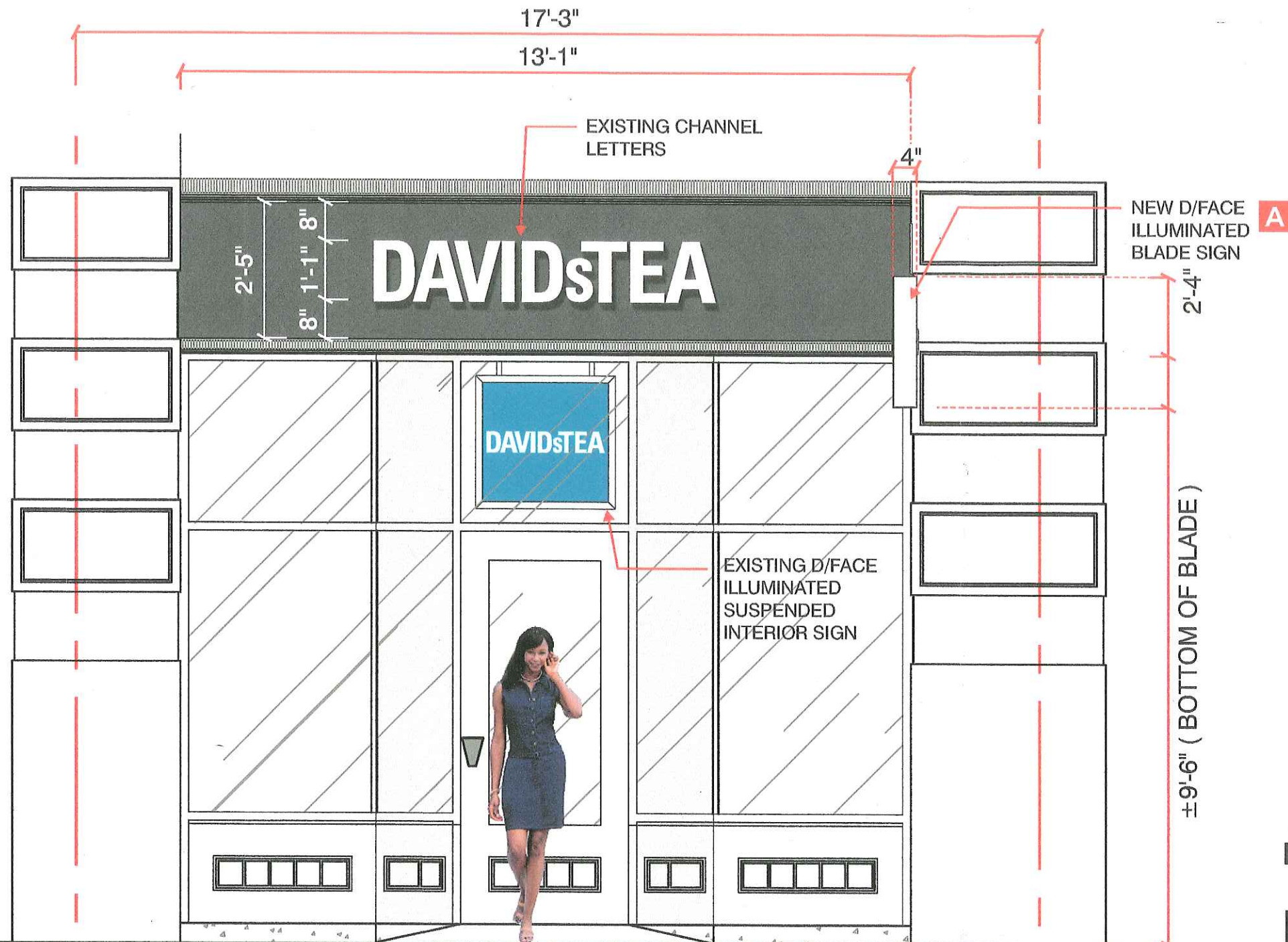
Ce dessin est la propriété d'ENSEIGNES ACCESS INC.
 et est protégé en vertu de la loi sur les droits d'auteurs.
 11242_DT17_Boston_Blade_01
 PRELIMINARY
 FINAL

CLIENT APPROBATION

Signature	
Name	

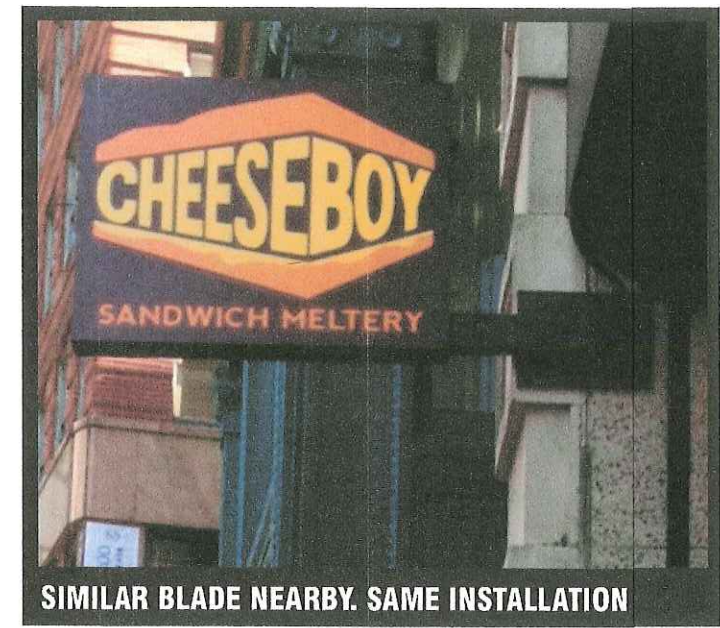
Revisions	Date

DAVIDsTEA
 298 Washington Street
 Boston, MA 02166
 Date: 30-03-2017
 Drawing by: JF Mailhot Acc. Rep.: T. Derkson UL: #E183093 Request: #11242 Page: 2/3



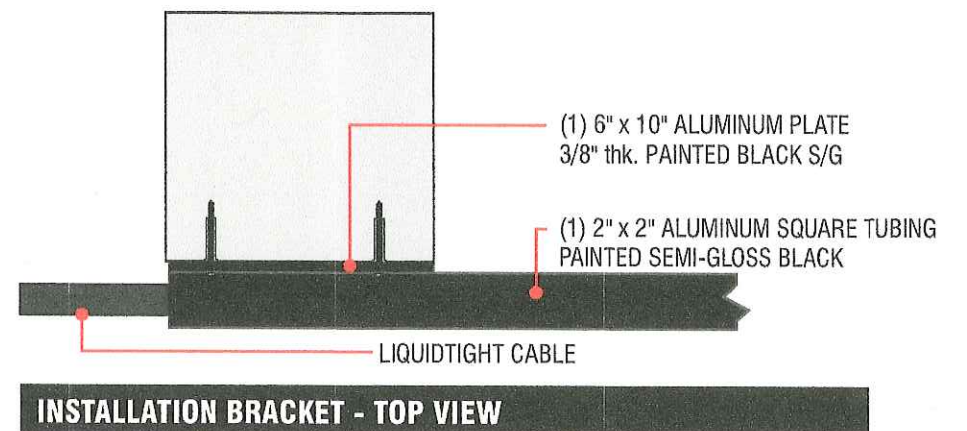
A STOREFRONT ELEVATION

Scale: 3/8" = 1' - 0"



SIMILAR BLADE NEARBY. SAME INSTALLATION

INSTALLATION HEIGHT TO BE SAME AS NEARBY SIGNS.



INSTALLATION BRACKET - TOP VIEW

ACCESS
Your Sign Department
www.accessigns.com
2351 Boul. Fernand-Lafontaine, Longueuil, Qc J4N 1N7
tél: 450.674.3333 / 888.655.6866 / fax: 450.674.4098

Ce dessin est la propriété d'ENSEIGNES ACCESS INC. et est protégé en vertu de la loi sur les droits d'auteurs.
11242_DT17_Boston_Blade_01
PRELIMINARY FINAL

CLIENT APPROBATION

Signature _____
Name _____

Revisions	Date

DAVIDsTEA
298 Washington Street
Boston, MA 02166
Date: 30-03-2017
Drawing by: JF Mailhot Acc. Rep.: T. Derkson UL: #E183093 Request: #11242 Page: 1/3

