

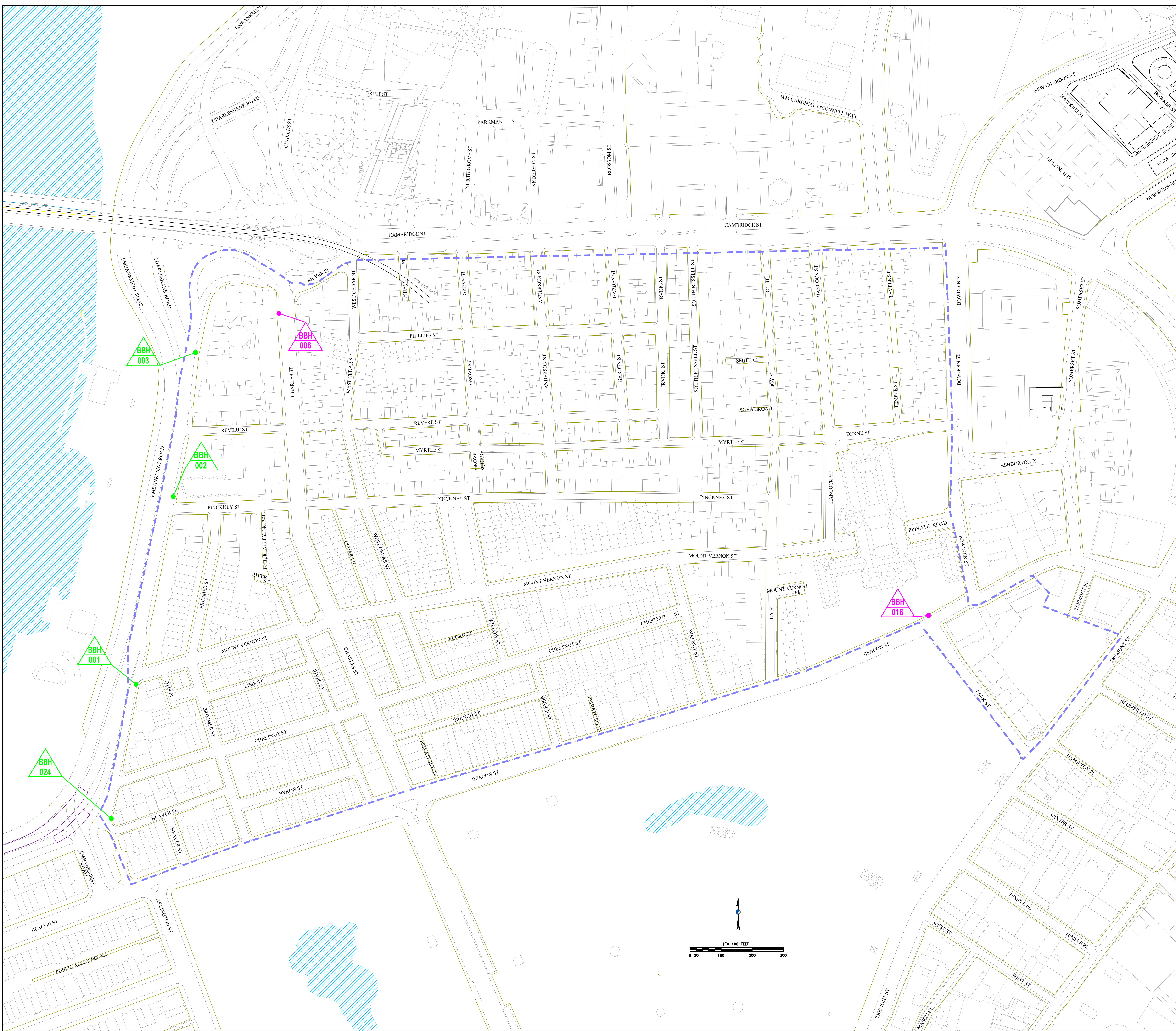


- LEGEND:
-  PROPOSED NODE SITE - STREET LIGHT (6)
  -  PROPOSED NODE SITE - DCR STREET LIGHT (4)



NOTES:

PREPARED FOR:  

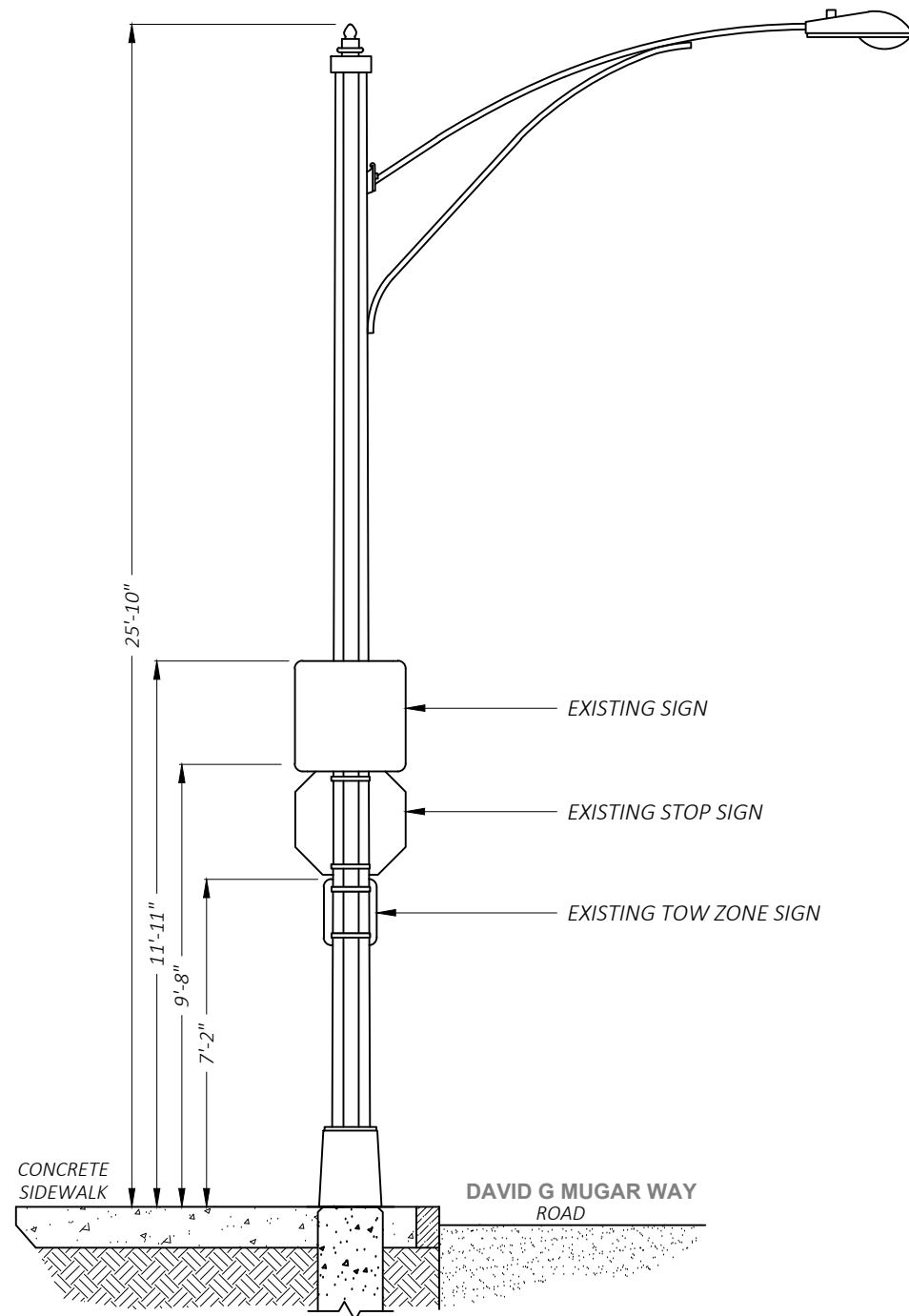

PREPARED BY:  
  
 Innovative Thinking. Engineered Solutions.  
 21 OXFORD RD  
 MANSFIELD, MA 02048  
 www.ucseeng.com 1-508-337-7600

JOB:  
**PROPOSED NODE SITES  
 WEST (BEACON HILL) POLYGON  
 VERIZON WIRELESS**

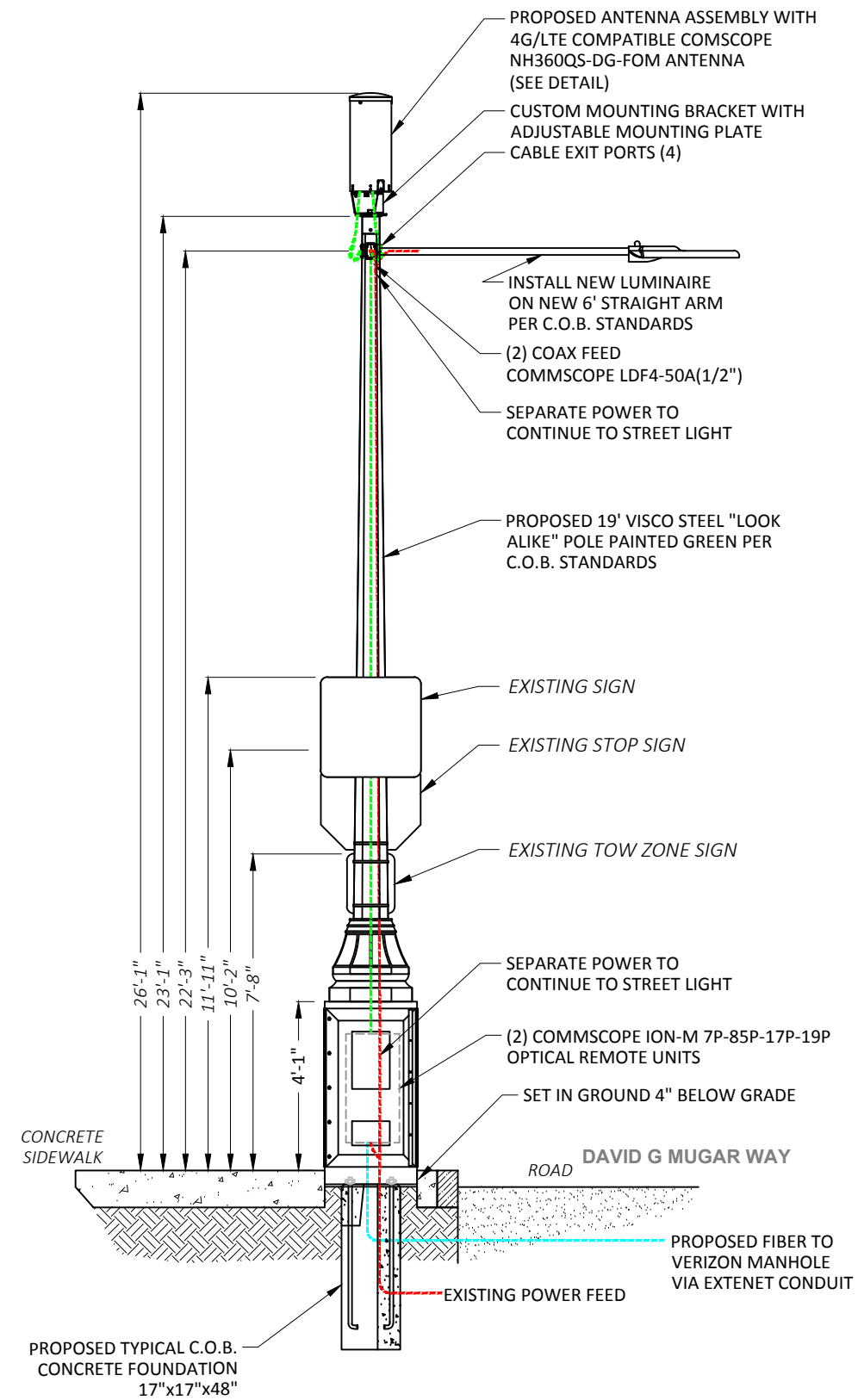
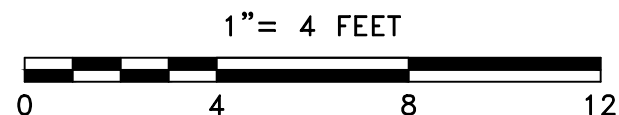
REV	DESCRIPTION	DATE
01	UPDATED NODE LOCATIONS/TYPES	10/20/15
02	FINAL MAP AFTER VERIZON REVIEW	10/26/15
03	UPDATE NODE LOCATIONS PER TRAFFIC REVIEW	10/05/16
04	CITY OF BOSTON MAP	01/19/17

DRAWING NAME:  
 0V MAP - BOSTON POLYGONS (BDT-BBH-BNE-BCT-BBE) DWG  
 ISSUE DATE: 05/01/15 SHEET: 1 OF 1

# EXTENET BEACON HILL BOSTON NODE BBH-001 SIDE VIEW



① EXISTING PROFILE - SIDE VIEW  
LOOKING SOUTH FROM MT VERNON ST



① PROPOSED PROFILE - SIDE VIEW  
LOOKING SOUTH FROM MT VERNON ST

LOCATION:  
BOSTON, MA  
SUFFOLK COUNTY

NOTES:  
EXISTING CITY OF BOSTON  
CONCRETE STREET LIGHT  
TO BE REMOVED **AFTER**  
REPLACEMENT LIGHT HAS  
BEEN INSTALLED,  
INSPECTED AND POWERED.

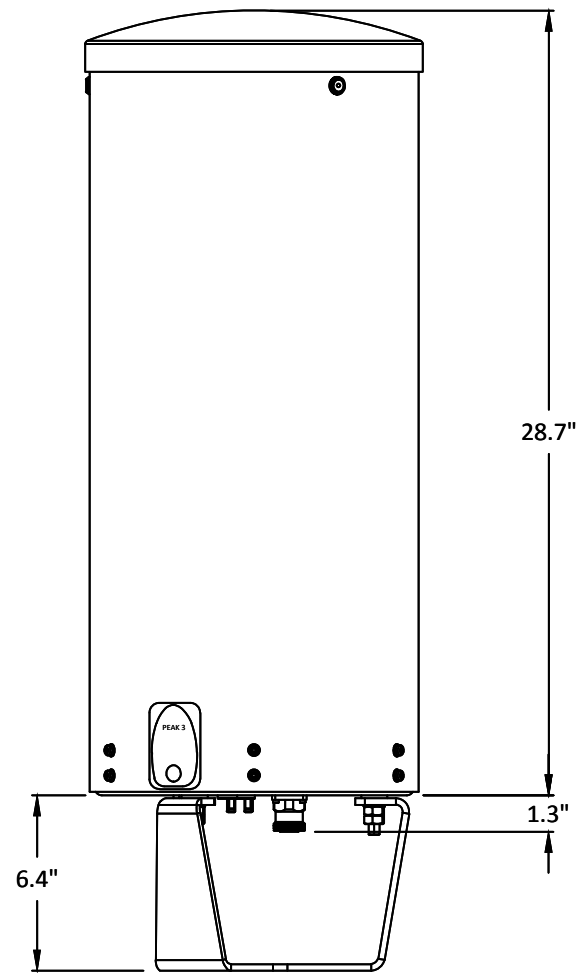
PREPARED FOR:  
 YOUR NETWORK EVERYWHERE.  
SYSTEMS

PREPARED BY:  
 **UC SYNERGETIC**  
Innovative Thinking. Engineered Solutions.  
21 OXFORD RD  
MANSFIELD, MA 02048  
www.ucsceng.com 1-508-337-7600

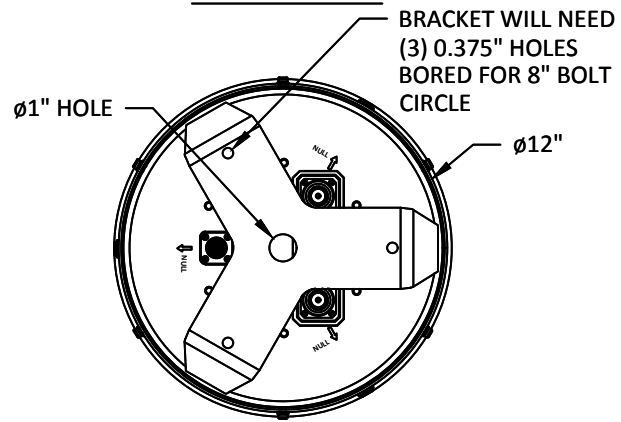
NODE  
BBH-001

REVISIONS		
REV	DESCRIPTION	DATE
1	NODE RELOCATION	11/04/15
2	EQUIPMENT CHANGE	12/06/15
3	EQUIPMENT CHANGE	12/22/15
4	EQUIPMENT CHANGE	11/10/16

DRAFTER: SJK  
SCALE: 1" = 4'  
ISSUE DATE: 10/23/15  
INDEX NAME: BBH-001  
SHEET #: 2 OF 6

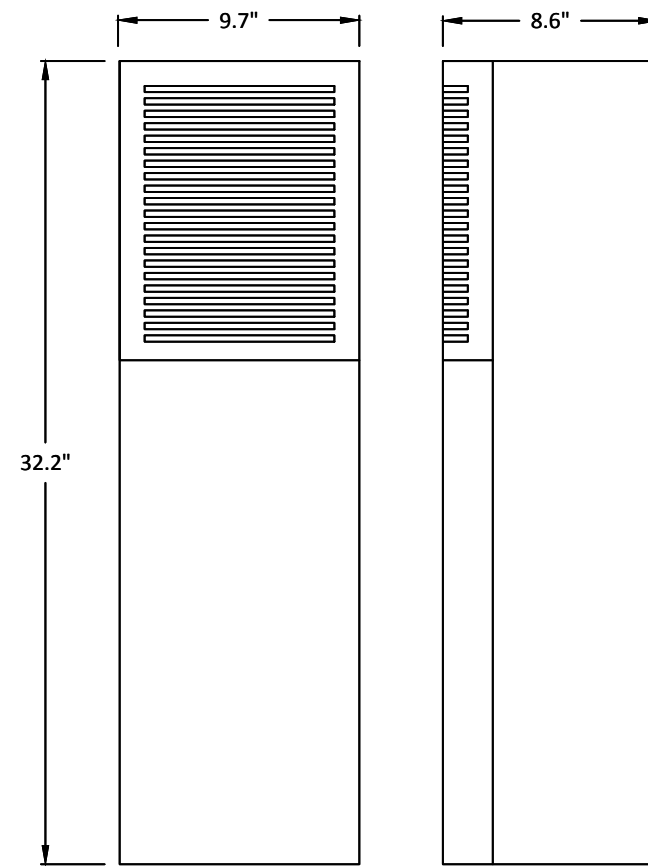


ANTENNA SIDE



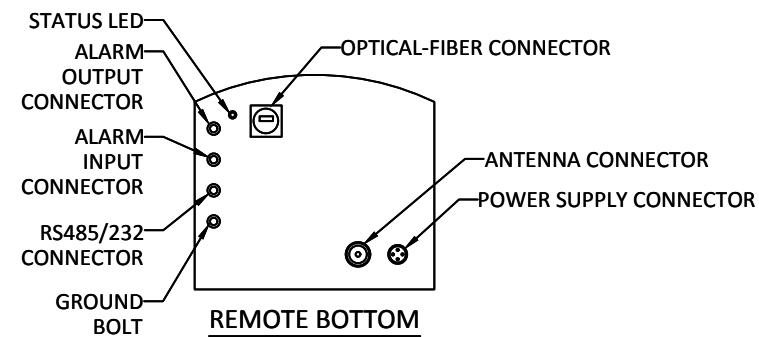
ANTENNA BOTTOM

**COMMSCOPE ANTENNA**  
**NH360QS-DG-F0M**  
 QUASI-OMNI DUAL BAND METRO CELL  
 SCALE: NTS



REMOTE FRONT

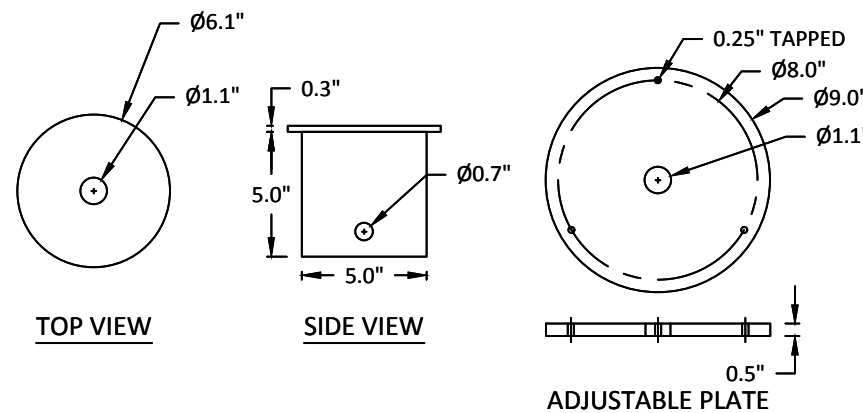
REMOTE SIDE



REMOTE BOTTOM

**CORNING ACCESS GX-40**  
**OPTICAL REMOTE UNIT**

SCALE: NTS



TOP VIEW

SIDE VIEW

ADJUSTABLE PLATE

**CUSTOM ANTENNA MOUNTING BRACKET**

SCALE: NTS

LOCATION:  
 BOSTON, MA  
 SUFFOLK COUNTY

NOTES:

PREPARED FOR:



PREPARED BY:



NODE  
 BBH-001

REVISIONS		
REV	DESCRIPTION	DATE
1	NODE RELOCATION	11/04/15
2	EQUIPMENT CHANGE	12/06/15
3	EQUIPMENT CHANGE	12/22/15
4	EQUIPMENT CHANGE	11/10/16

DRAFTER: SJK  
 SCALE: NTS  
 ISSUE DATE: 10/23/15  
 INDEX NAME: BBH-001  
 SHEET #: 4 OF 6

# BBH-001, MT. VERNON STREET AT DAVID G MUGAR WAY

EXISTING



PROPOSED



# BBH-002, PINCKNEY DRIVE AT STORROW DRIVE

EXISTING



PROPOSED



EXISTING



PROPOSED



# BBH-006, CHARLES STREET AT SILVER PLACE

**EXISTING**



**PROPOSED**



# BBH-016, PARK ST AT BEACON ST

EXISTING



PROPOSED





# BBH-024, BEAVER PLACE AT DAVID G MUGAR WAY

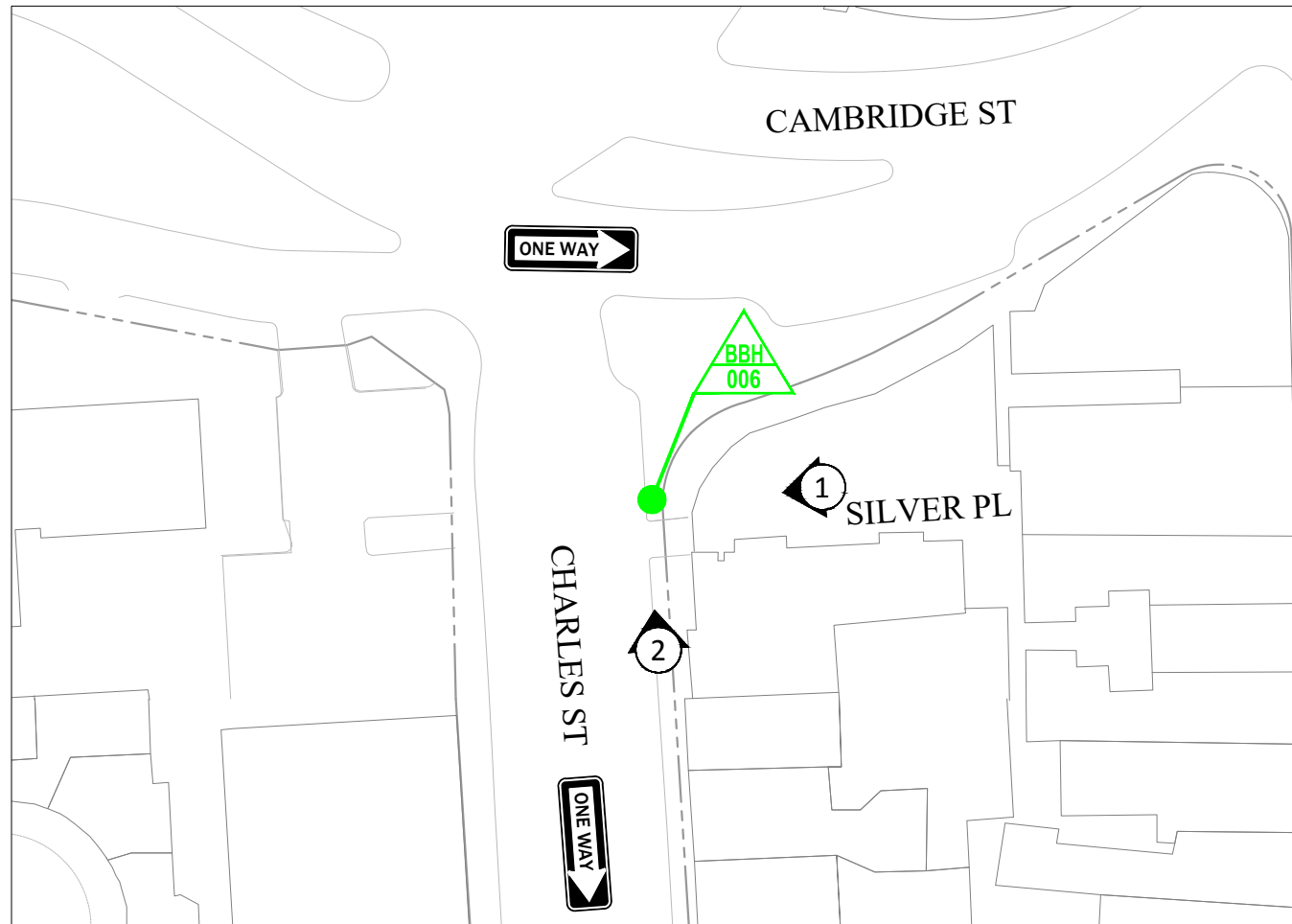
EXISTING



PROPOSED



EXTENET SYSTEMS  
 CITY OF BOSTON  
 SUFFOLK COUNTY, MA  
 NODE-BBH-006



**NODE PLACEMENT**  
 SCALE: 1" = 50'



**LOCATION MAP**  
 LATITUDE: 42.360605° LONGITUDE: -71.070761°  
 SCALE: 1" = 500'

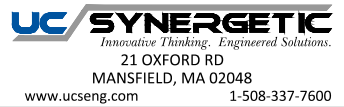
LOCATION:  
 BOSTON, MA  
 SUFFOLK COUNTY

NOTES:

PREPARED FOR:



PREPARED BY:



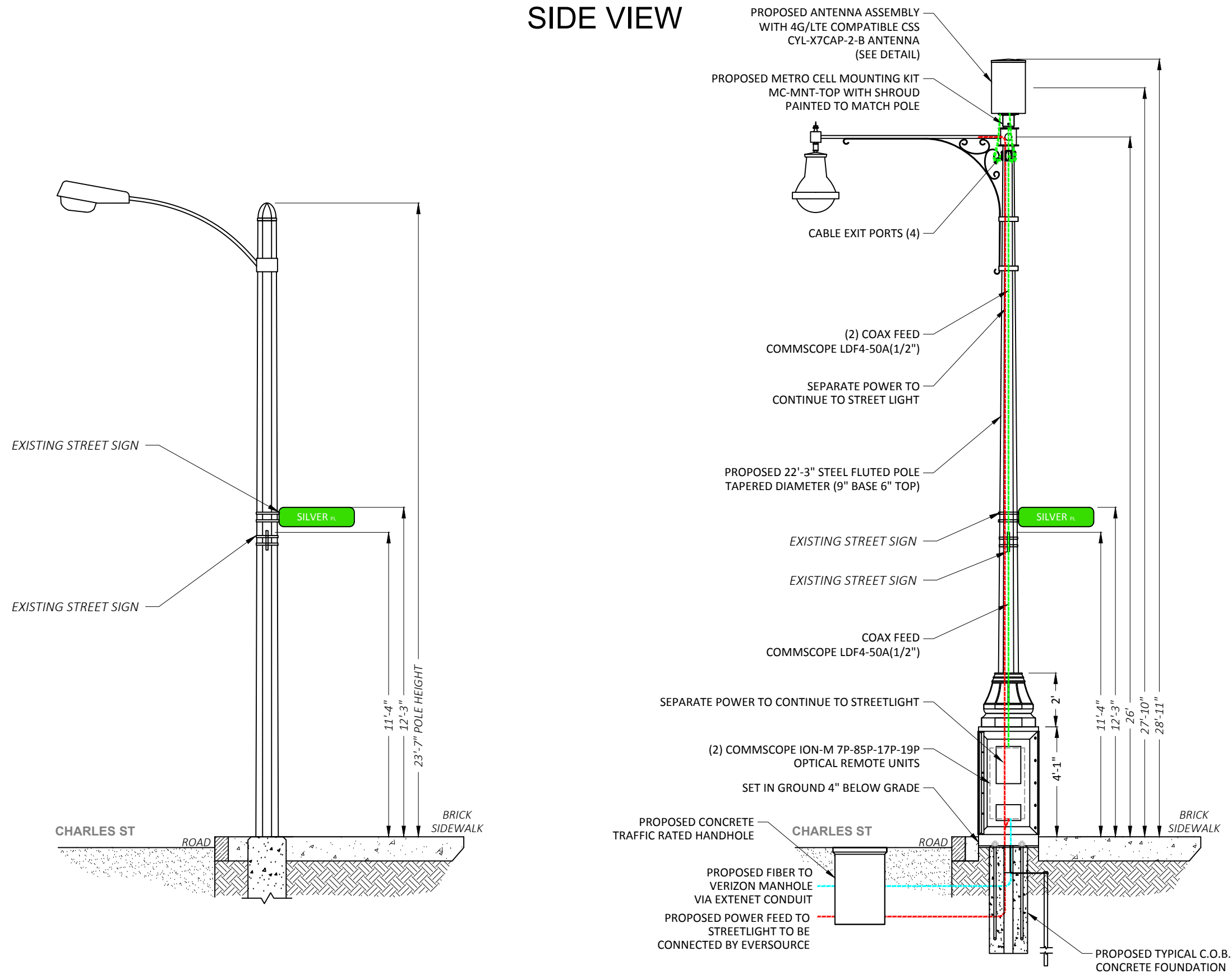
REVISIONS		
REV	DESCRIPTION	DATE
2	OLD DRC LOCATION WITH BASE CABINET	8/9/17
3	UPDATED POLE TYPE	11/30/17

DRAFTER: SJK/TLLA  
 SCALE: AS SHOWN  
 ISSUE DATE: 10/23/15  
 INDEX NAME: BBH-006  
 SHEET #: 1 OF 7

11/30/17 \\MANV-FILE01\Files\Engineering\Extenet\_Systems\BA - Boston 216 Nodes\BBH - Beacon Hill\NPPS\AUTOCAD\NODE BBH-006.dwg

# EXTENET DOWNTOWN BOSTON NODE BBH-006

## SIDE VIEW



LOCATION:  
BOSTON, MA  
SUFFOLK COUNTY

NOTES:

PREPARED FOR:



PREPARED BY:

**UC SYNERGETIC**  
Innovative Thinking. Engineered Solutions.  
21 OXFORD RD  
MANSFIELD, MA 02048  
www.ucseeng.com 1-508-337-7600

NODE  
BBH-006

REVISIONS

REV	DESCRIPTION	DATE
2	OLD DRC LOCATION WITH BASE CABINET	8/9/17
3	UPDATED POLE TYPE	11/30/17

DRAFTER: SJK/TLLA

SCALE: 1" = 4'

ISSUE DATE: 10/23/15

INDEX NAME: BBH-006

SHEET #: 2 OF 7



EXISTING PHOTOGRAPHIC VIEW



PROPOSED PHOTOGRAPHIC SIMULATION

NOTES:

PREPARED FOR:



PREPARED BY:



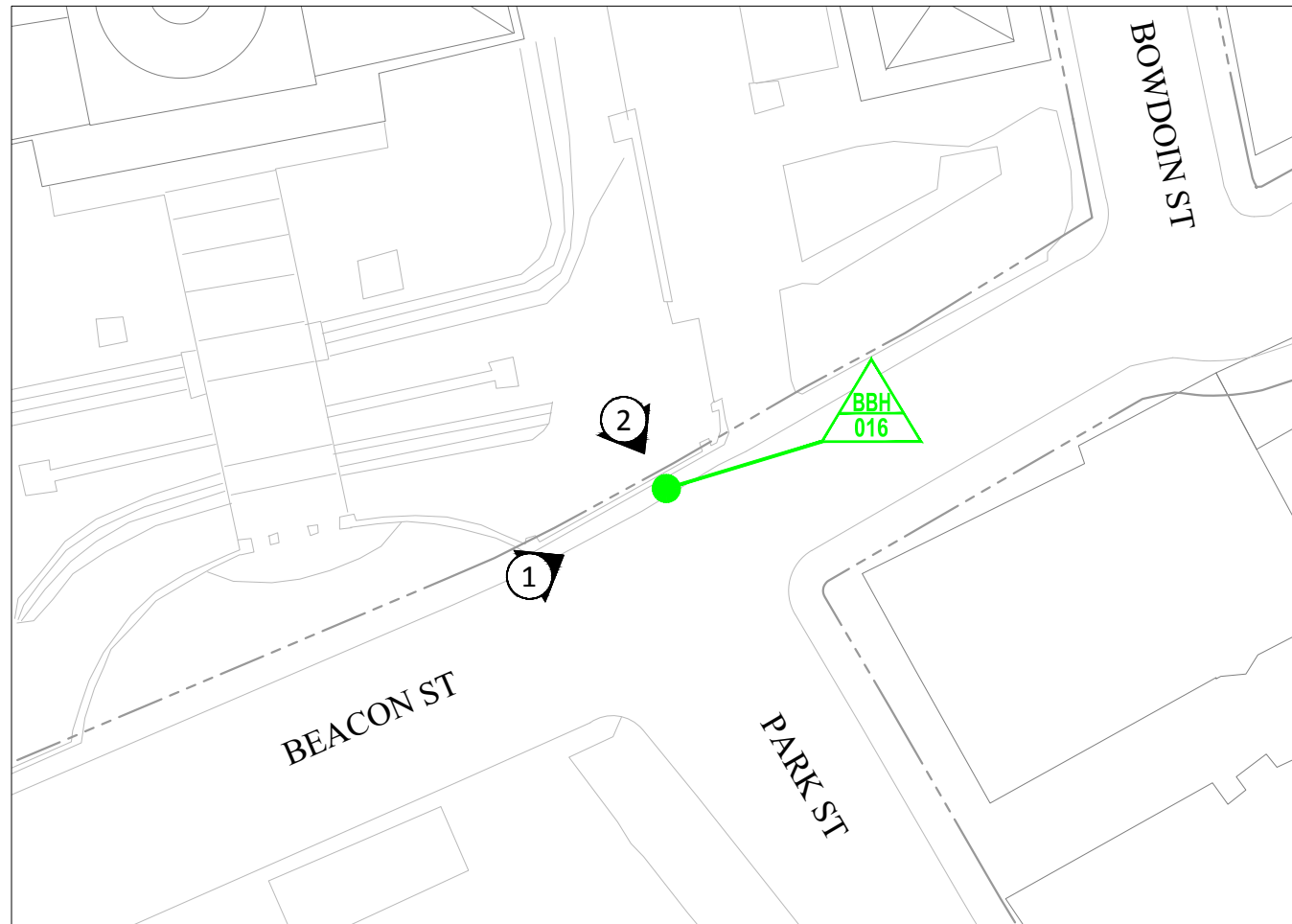
REVISIONS		
REV	DESCRIPTION	DATE

DRAWING TITLE:

**PHOTO SIMULATION**

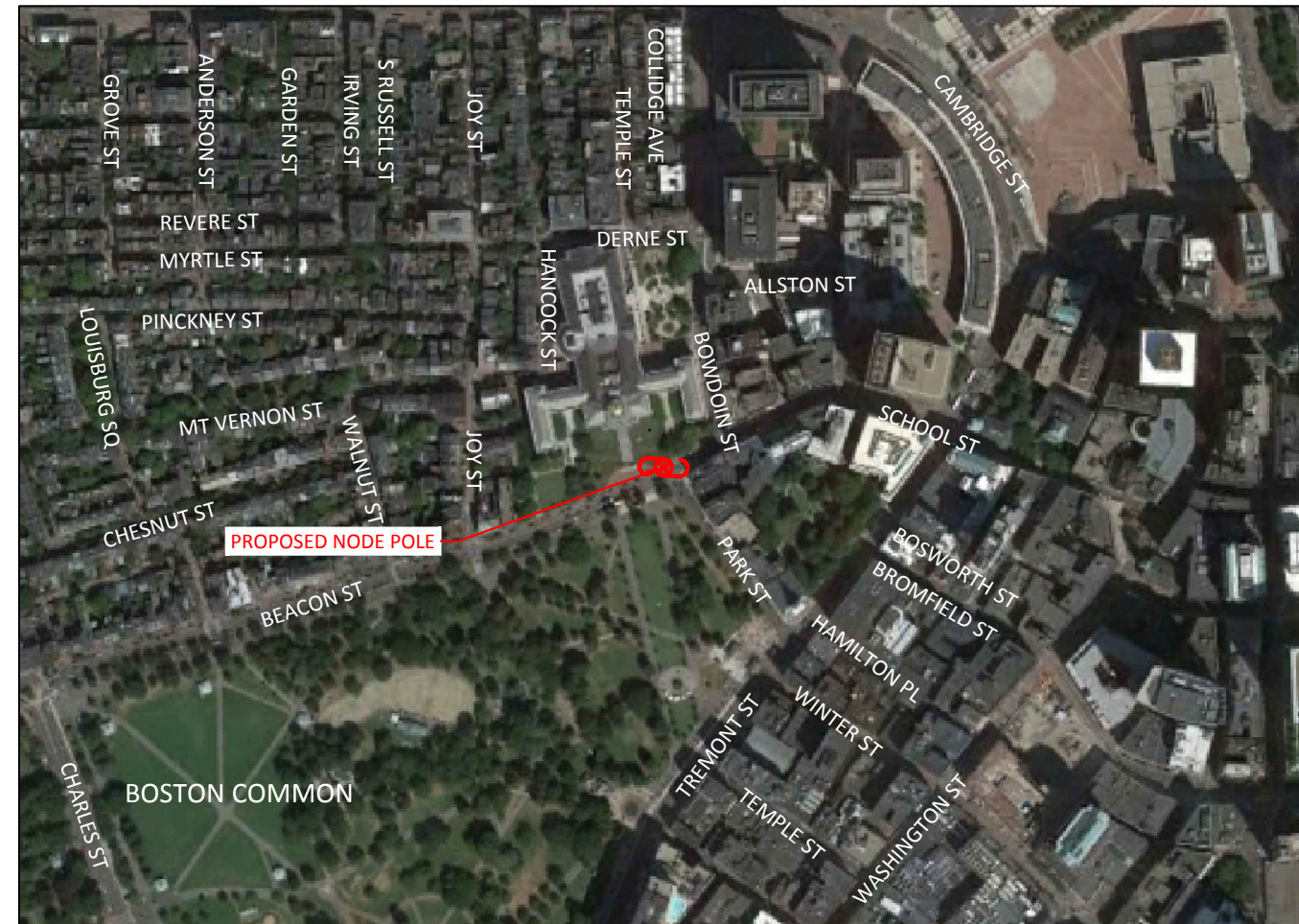
DRAFTER: MBM	DRAWING NO.
SCALE: NTS	<b>1</b>
ISSUE DATE: 12/05/17	
INDEX NAME: NODE BBH-006	

EXTENET SYSTEMS  
CITY OF BOSTON  
SUFFOLK COUNTY, MA



**LOCATION MAP**

LATITUDE: 42.357783° LONGITUDE: -71.063213°  
SCALE: 1" = 50'



**LOCUS MAP**

PROJECT LOCATION - NODE BBH-016  
SCALE 1" = 500'

**Location and Design Approved  
Boston Public Works  
Street Lighting Department**

By: \_\_\_\_\_

Date: \_\_\_\_\_

LOCATION:  
BOSTON, MA  
SUFFOLK COUNTY

NOTES:

PREPARED FOR:



PREPARED BY:



**NODE  
BBH-016**

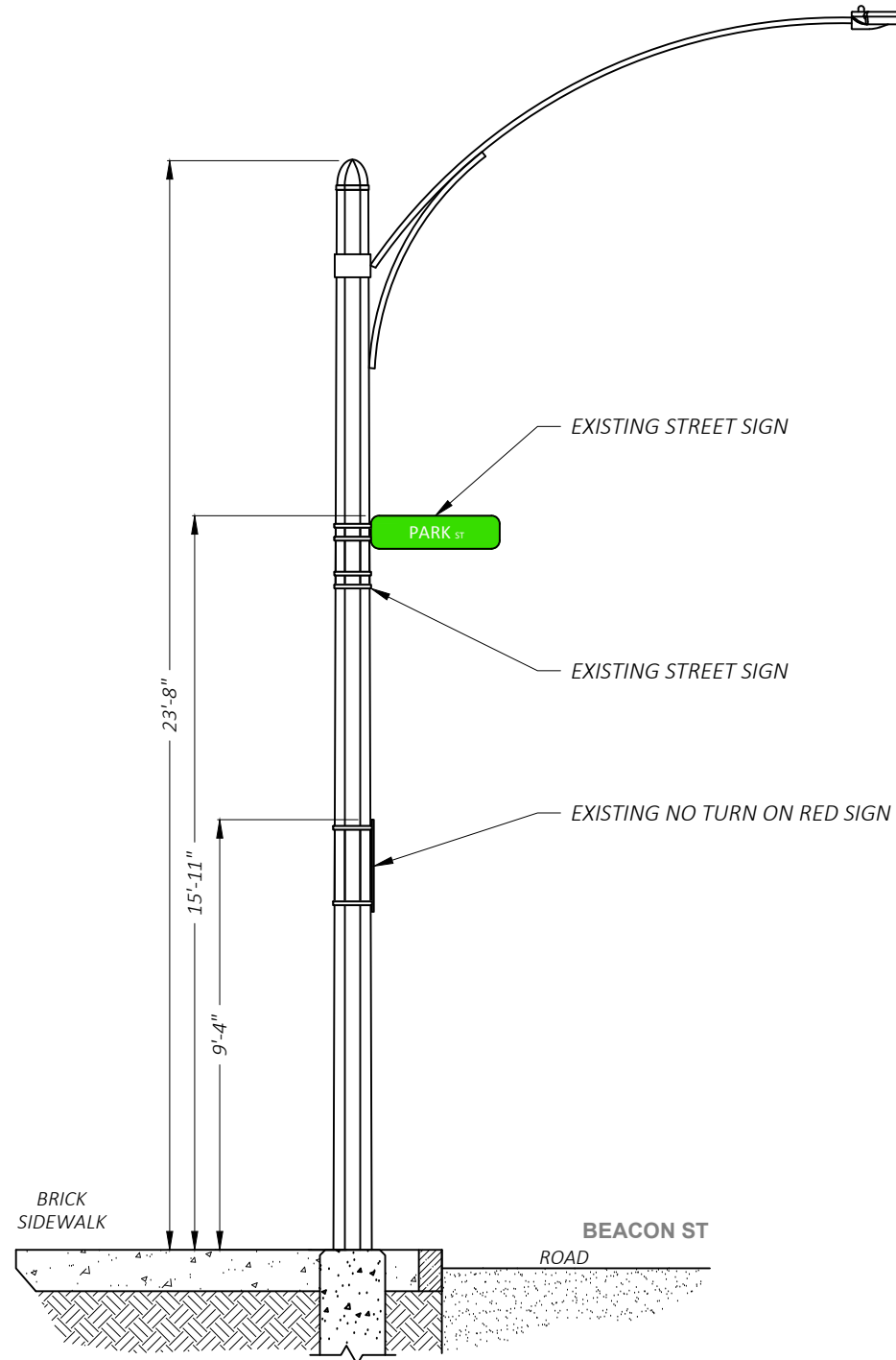
REVISIONS		
REV	DESCRIPTION	DATE
1	NODE RELOCATION	11/4/16
2	EQUIPMENT CHANGE	12/6/16
3	EQUIPMENT CHANGE	12/22/16
4	UPDATED INFORMATION	04/19/17
5	UPDATED POLE TYPE	11/27/17

DRAFTER: VMF  
SCALE: AS SHOWN  
ISSUE DATE: 05/27/15  
INDEX NAME: BBH-016  
SHEET #: 1 OF 7

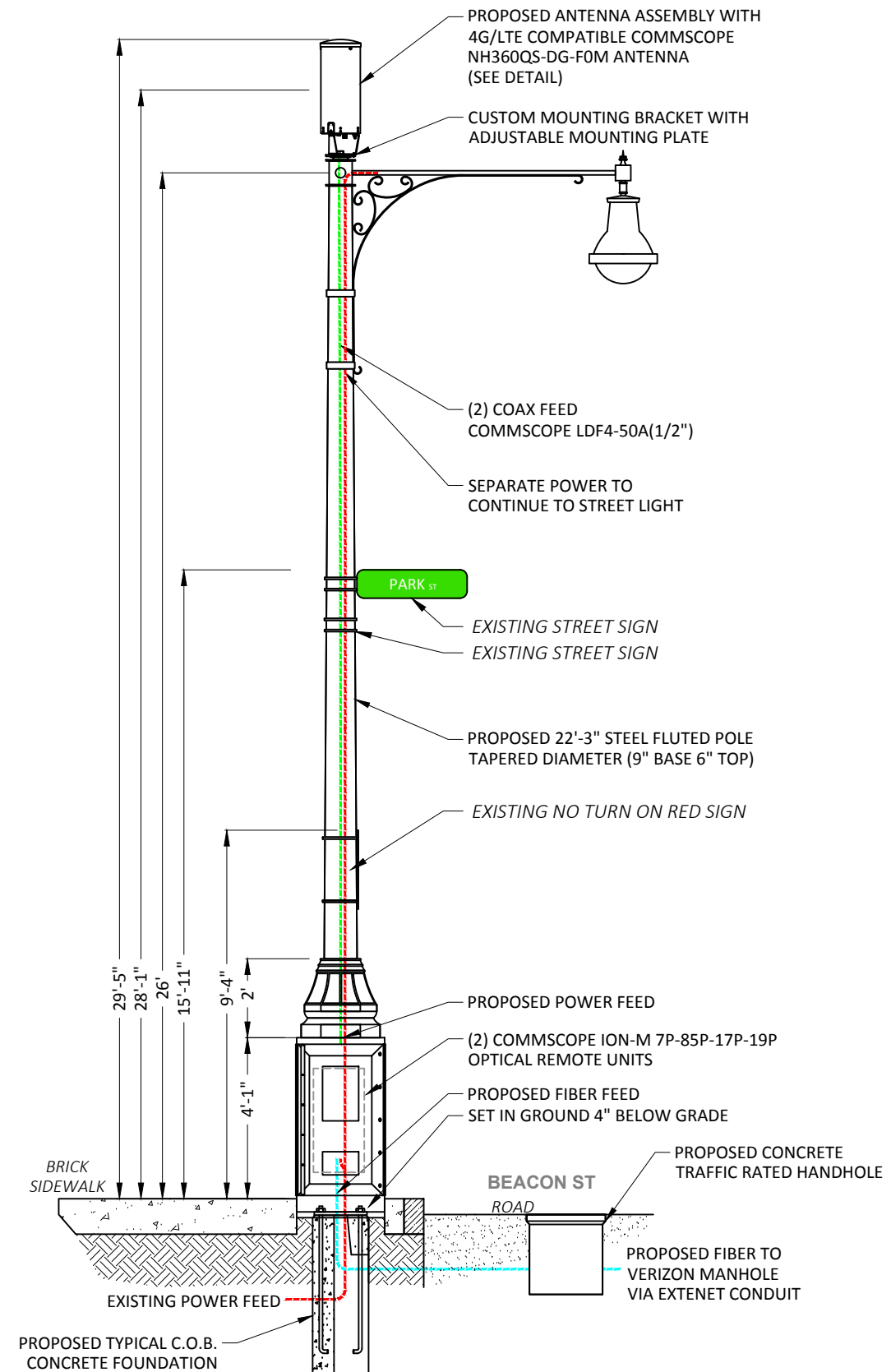
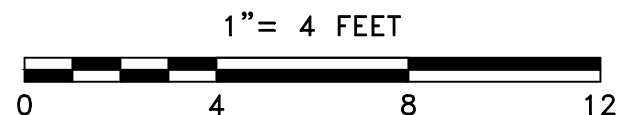
11/29/17 \\MANV-FILE01\Files\Engineering\Extenet\_Systems\BA - Boston 216 Nodes\BBH - Beacon Hill\NPS\AUTOCAD\NODE BBH-016.dwg

# EXTENET BEACON HILL BOSTON NODE BBH-016 SIDE VIEW

AZIMUTH  
OVERTURE: 145°  
ACTUAL: 25°/145°/265°



① EXISTING PROFILE - SIDE VIEW  
LOOKING NORTHEAST ALONG BEACON ST



① PROPOSED PROFILE - SIDE VIEW  
LOOKING NORTHEAST ALONG BEACON ST

LOCATION:  
BOSTON, MA  
SUFFOLK COUNTY

NOTES:

PREPARED FOR:



PREPARED BY:



NODE  
BBH-016

REVISIONS		
REV	DESCRIPTION	DATE
1	NODE RELOCATION	11/4/16
2	EQUIPMENT CHANGE	12/6/16
3	EQUIPMENT CHANGE	12/22/16
4	UPDATED INFORMATION	04/19/17
5	UPDATED POLE TYPE	11/27/17

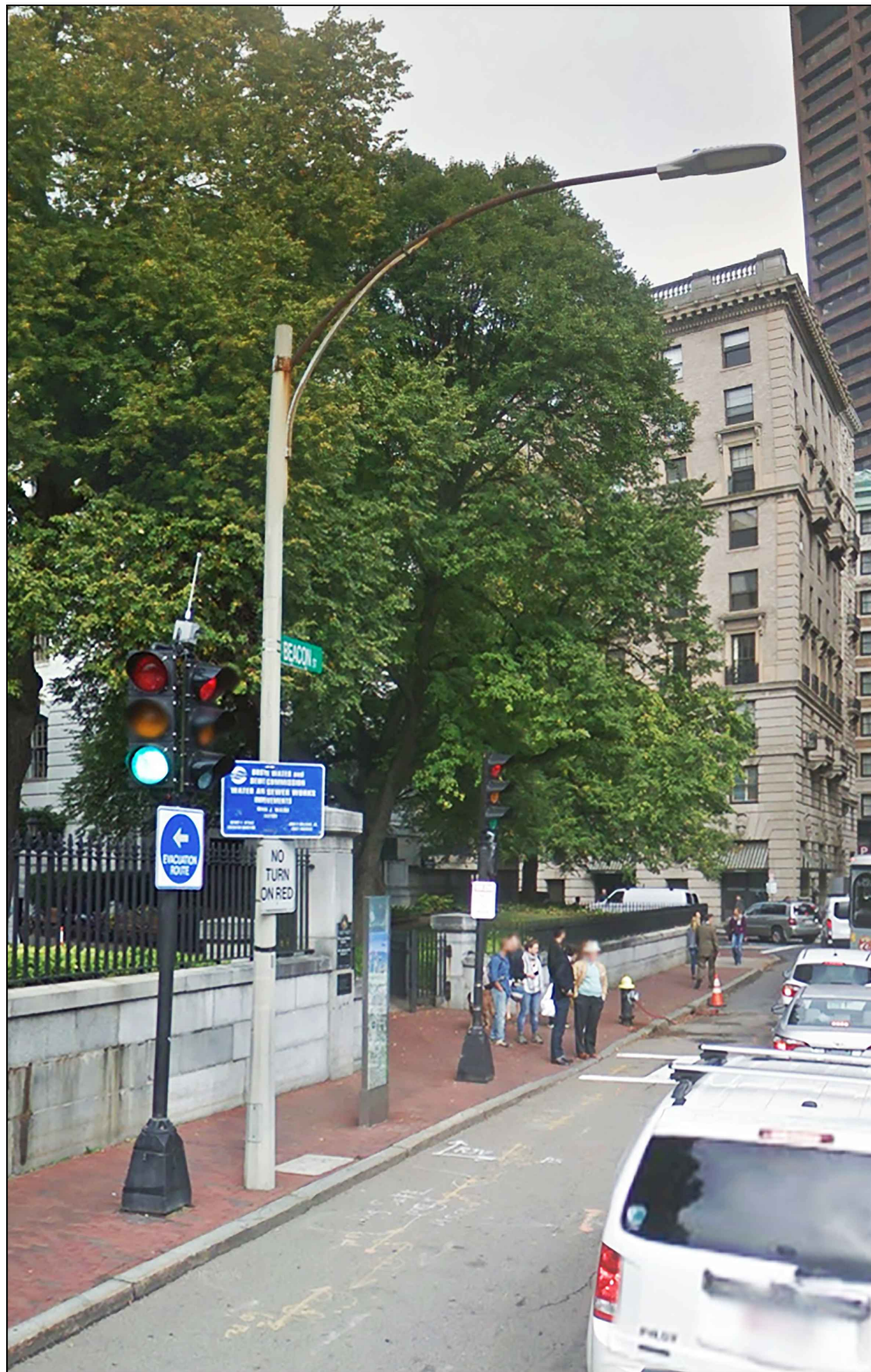
DRAFTER: VMF

SCALE: 1" = 4'

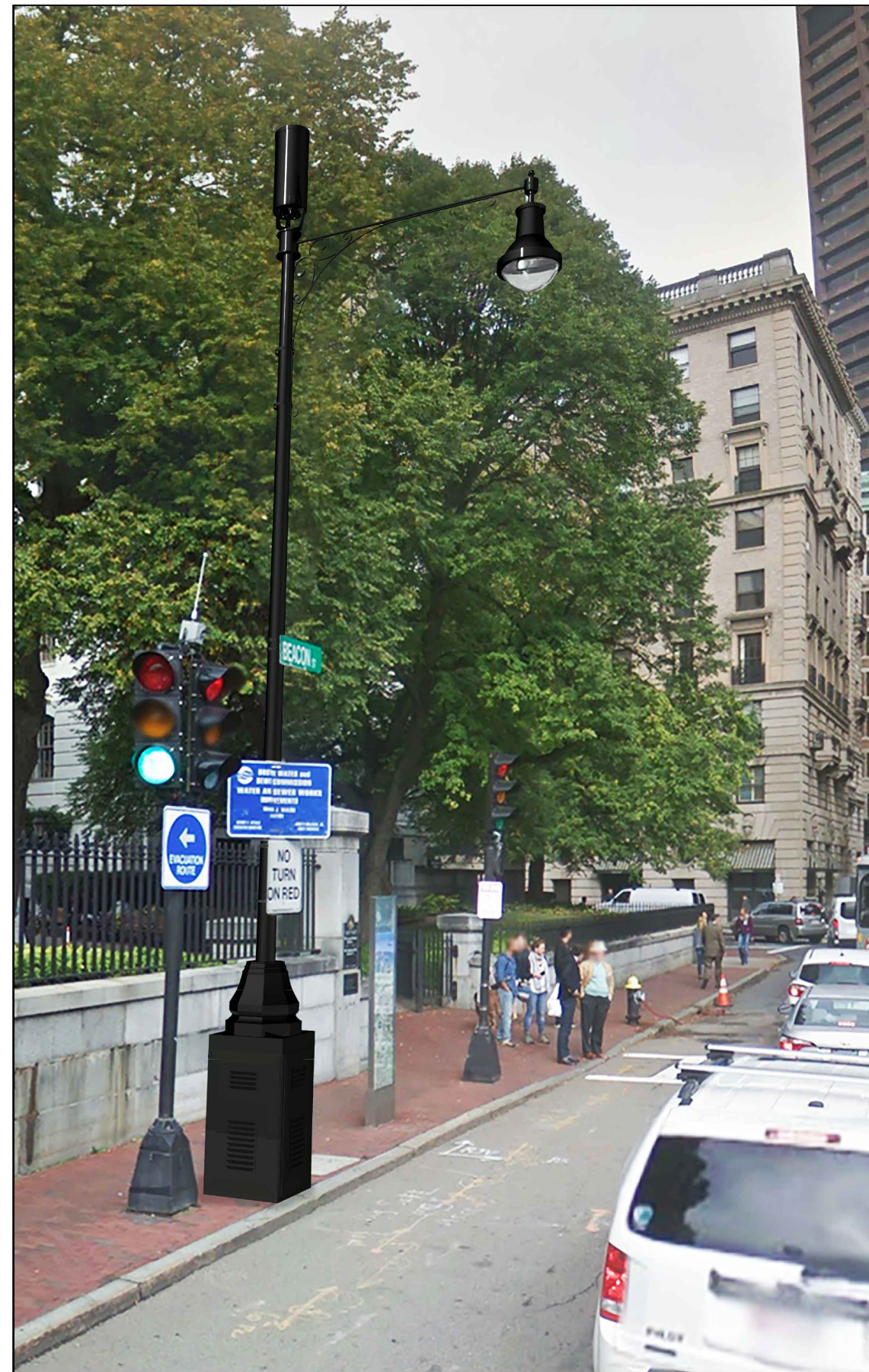
ISSUE DATE: 05/27/15

INDEX NAME: BBH-016

SHEET #: 2 OF 7



EXISTING PHOTOGRAPHIC VIEW



PROPOSED PHOTOGRAPHIC SIMULATION

NOTES:

PREPARED FOR:



PREPARED BY:



REVISIONS		
REV	DESCRIPTION	DATE

DRAWING TITLE:  
**PHOTO SIMULATION**

DRAFTER: MBM	DRAWING NO.
SCALE: NTS	<b>1</b>
ISSUE DATE: 12/06/17	
INDEX NAME: NODE BBH-015	



2014.10.28 11:57







2014.10.27 22:46

