

6 MOUNT VERNON PLACE

BOSTON, MA

BEACON HILL ARCHITECTURAL COMMISSION
PRESENTATION SET

17 MAY 2018

TABLE OF CONTENTS

PG 1	EXISTING MOUNT VERNON PLACE STREET AND FACADES
PG 2	EXISTING CONDITIONS OF 6 MVP ENTRY
PG 3	ORIGINAL CONDITIONS OF 6 MVP ENTRY
PG 4	EXISTING 6 MVP ENTRY DRAWINGS
PG 5	PROPOSED ENTRY DRAWINGS
PG 6 & 7	PROPOSED DETAILS
PG 8	PROPOSED COMPONENTS AND MATERIALS
PG 9	PROPOSED LETTER BOX CUT SHEET
PG 10	PROPOSED DOOR KNOB CUT SHEET
PG 11	PROPOSED CYLINDER COVER CUT SHEET
PG 12	PROPOSED INTERCOM

S.J.GALLAGHER

DESIGN

P.O. BOX 397229
CAMBRIDGE, MA 02139
(401) 569-4416
INFO@SJGALLAGHERDESIGN.COM



FGS DESIGN, L.L.C.
ARCHITECTURE ~ INTERIOR DESIGN
381 PARK AVENUE SOUTH, NEW YORK CITY, NY 10016
E: info@fgs-a.com
T: 646-470-6528 WWW.FGS-A.COM



1 6 MT VERNON PL.



2 6, 7 & 8 MOUNT VERNON PL.



3 7 MT VERNON PL.



4 8 MT VERNON PL.

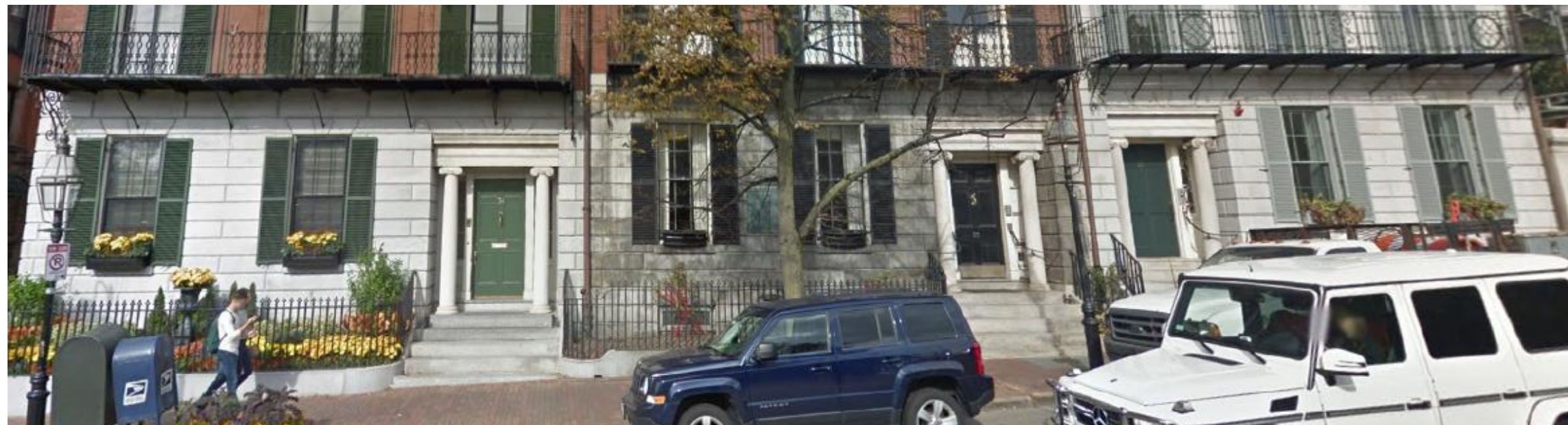


MARBLE IN POOR GENERAL CONDITION, CHIPPED, STAINED AND SPALLING
REQUIRES EXTENSIVE PROTECTIVE MEASURES TO MAINTAIN

1 6 MVP EXSTING MARBLE DETAILS

2 INSTALLATION PROBLEMS

3 6 MVP JAMB CONDITION

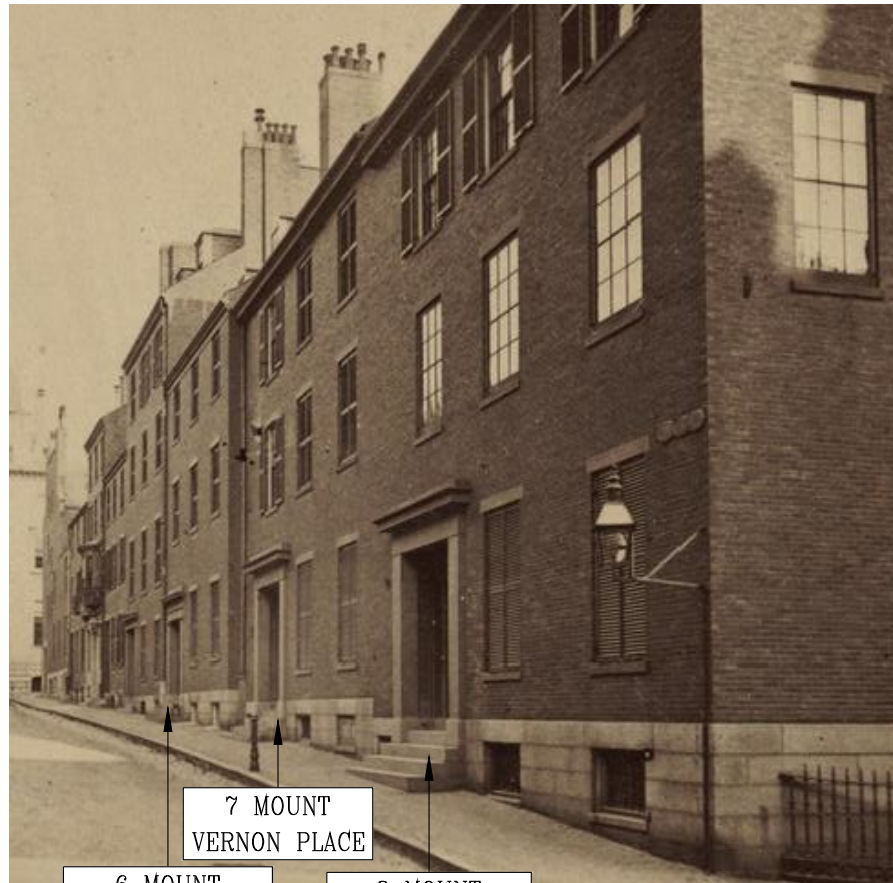


TRABEATED IONIC PORTICOS ARE PART OF BEACON STREET PROPERTIES. PORTICO ON 6 MVP APPEARS TO HAVE BEEN SALVAGED FROM ADJACENT BUILDING THAT WAS TORN DOWN TO MAKE ROOM FOR THE STATE HOUSE EXPANSION IN 1910s.



4 34, 33, & 25 BEACON HILL ENTRIES

5 57 MOUNT VERNON STREET



6 MOUNT
VERNON PLACE

7 MOUNT
VERNON PLACE

8 MOUNT
VERNON PLACE

3 MOUNT VERNON PLACE CA.1860



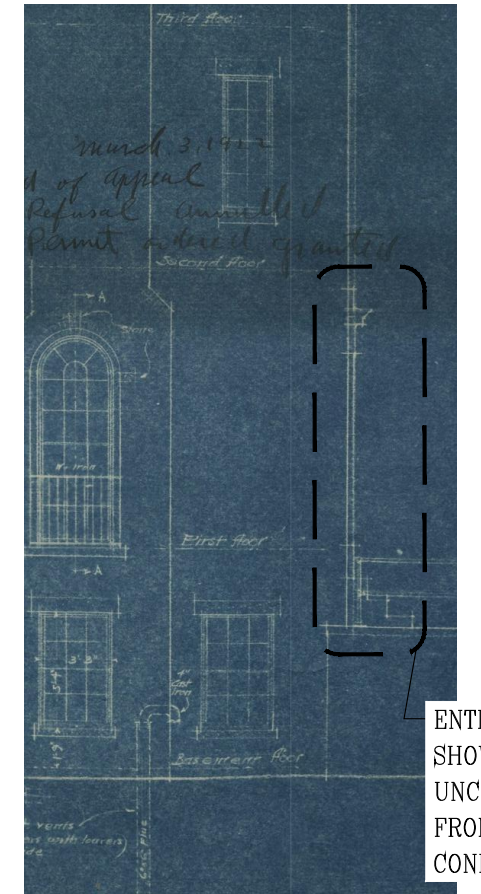
NOTE 3-PART ENTABLATURE
AND CAPITALS

3 1860 PHOTO DETAIL

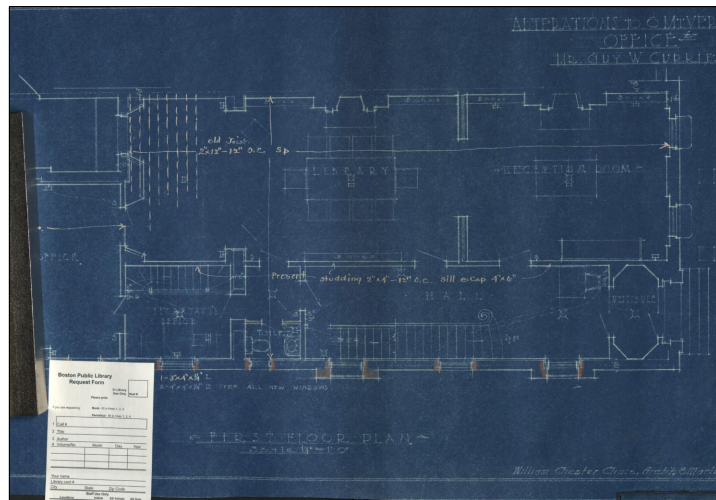


FROM PROPOSAL TO ADD WINDOWS ON EAST PARTY WALL
AFTER STATE HOUSE CONSTRUCTION DEMOLISHED 1-5 MVP

3 BPL ARCHIVES: 1925 ELEVATION AND DETAIL

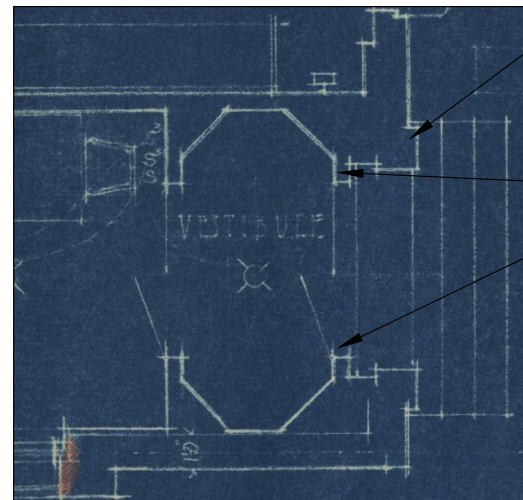


ENTRY
SHOWN AS
UNCHANGED
FROM 1860
CONFIGURATION



FROM PROPOSAL TO ADD WINDOWS ON EAST PARTY WALL
AFTER STATE HOUSE CONSTRUCTION DEMOLISHED 1-5 MVP

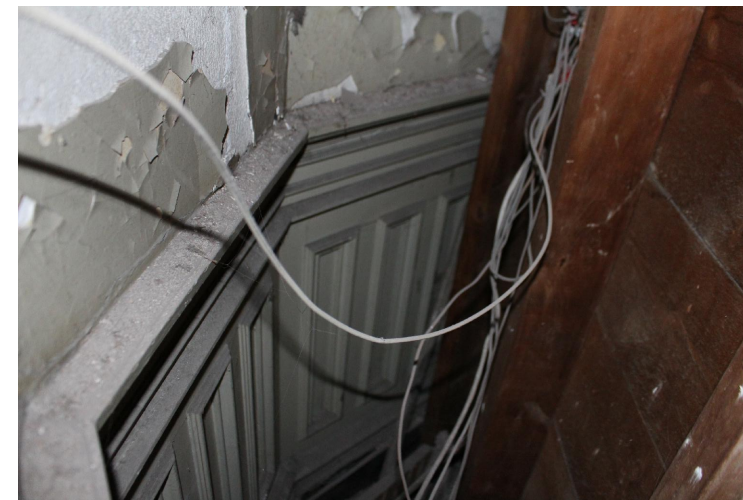
1 6 MVP.: BOSTON PUBLIC LIB. ARCHIVES 1922



NOTE 1860
PORTICO
INTACT

ORIGINAL
OCTAGONAL
VESTIBULE
EXTERIOR
DOOR
POSITION

2 6 MVP.: ARCHIVE PLAN DETAIL



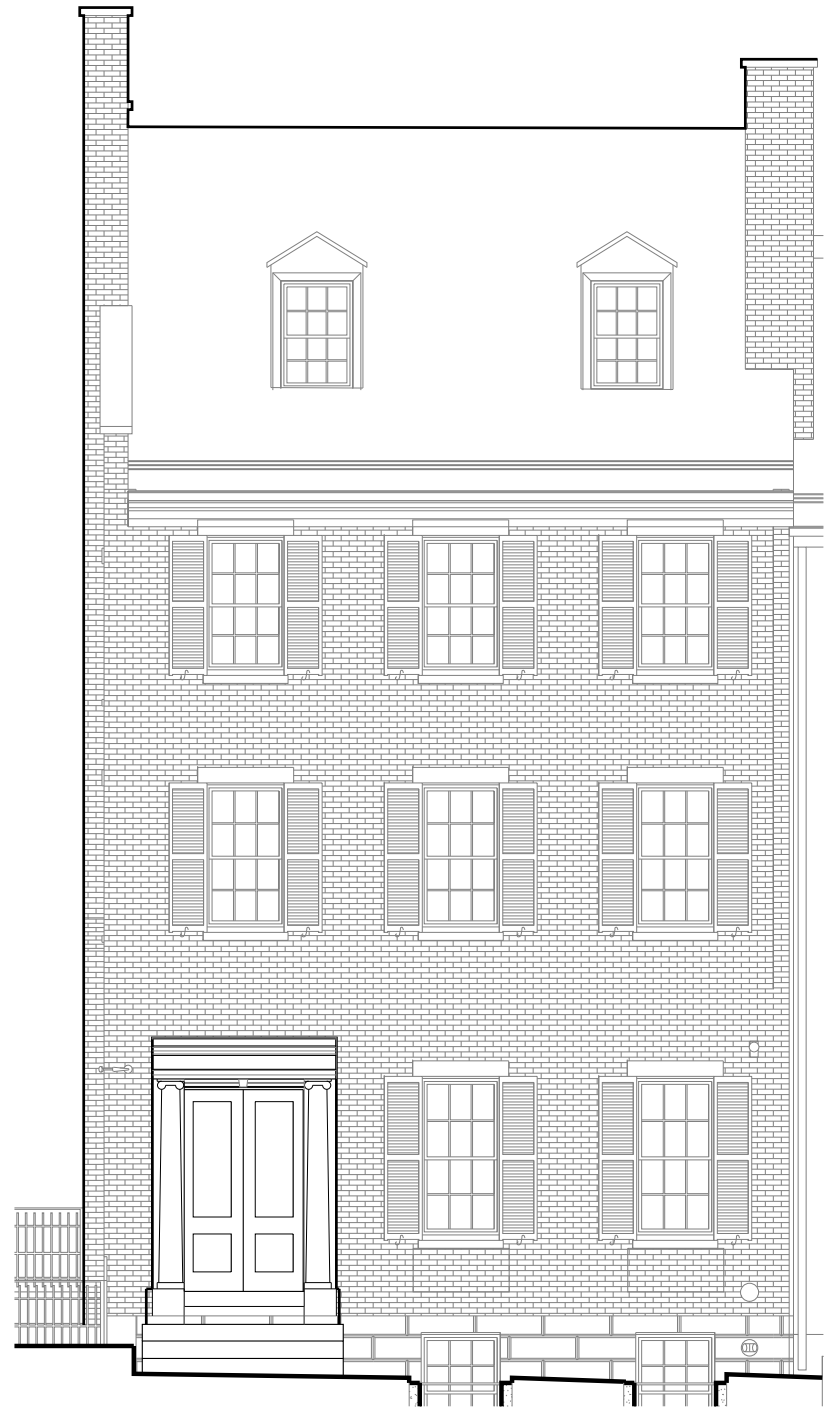
REMAINS OF VESTIBULE INDICATED IN 1925 PLANS STILL
EXISTING INSIDE FRAMING OF CURRENT VESTIBULE

2 6 MVP ENTRY VESTIBULE

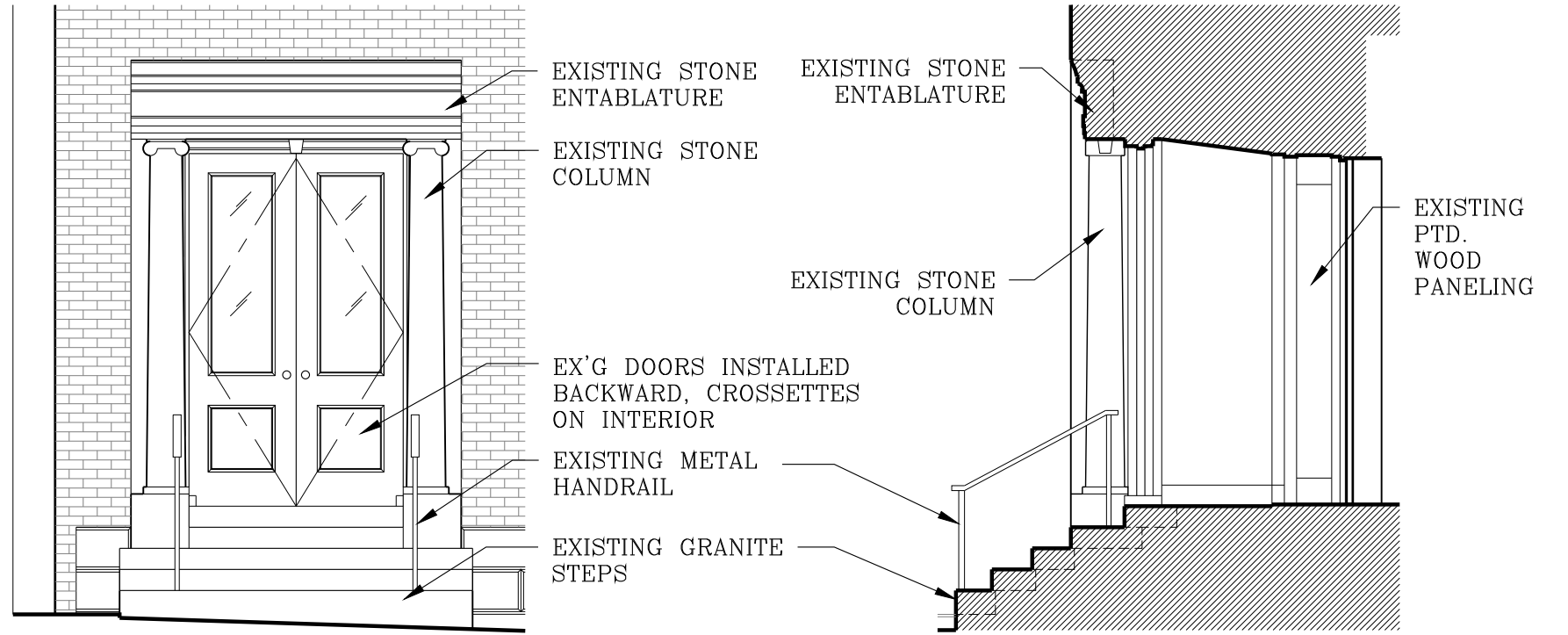


ORIGINAL CONFIGURATION HAS BEEN REVERSED:
CROSSETTES CURRENTLY ON INTERIOR

2 6 MVP EXT'G ENTRY DOOR

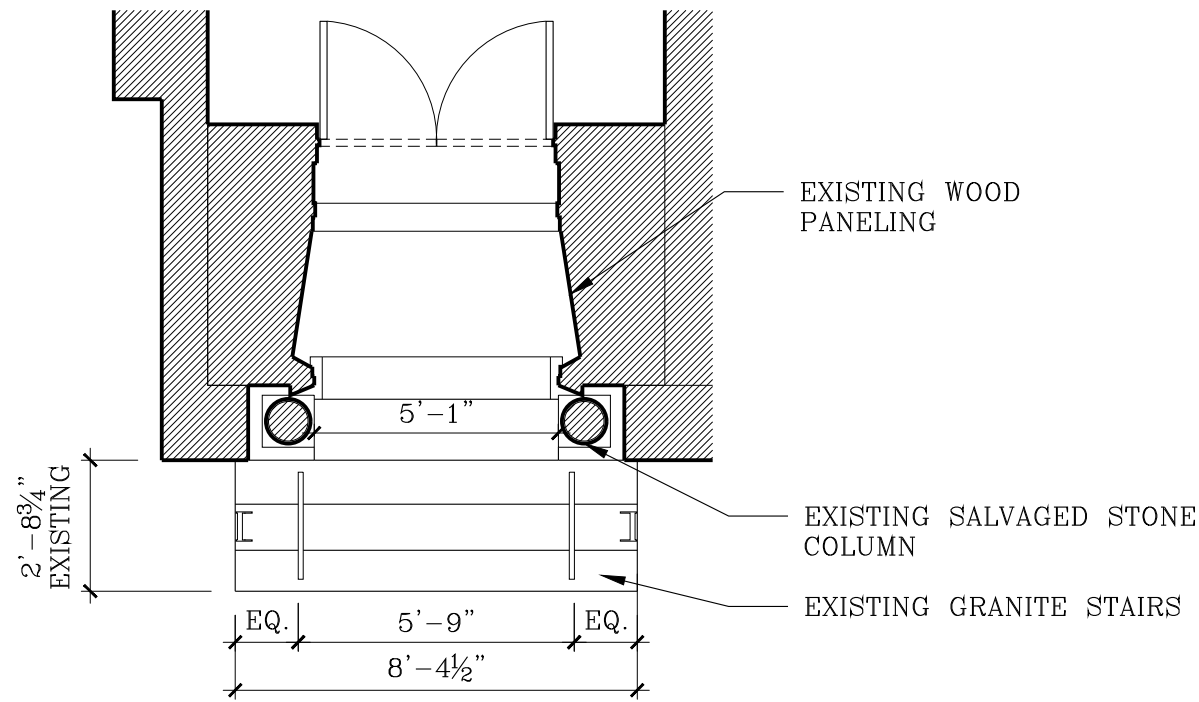


1 EXISTING ELEVATION
1/8" = 1'-0"

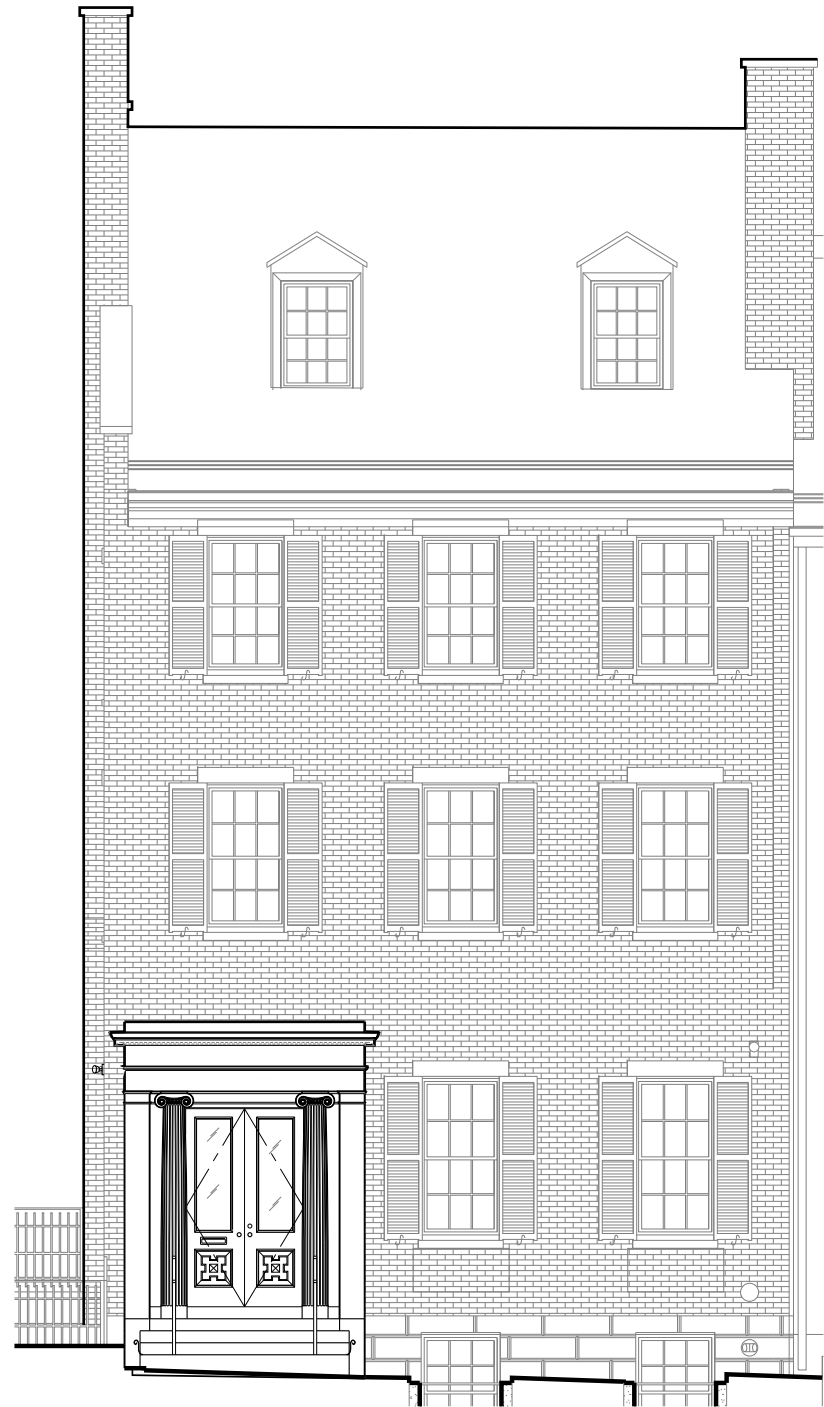


2 EXISTING ENTRANCE ELEVATION
1/4" = 1'-0"

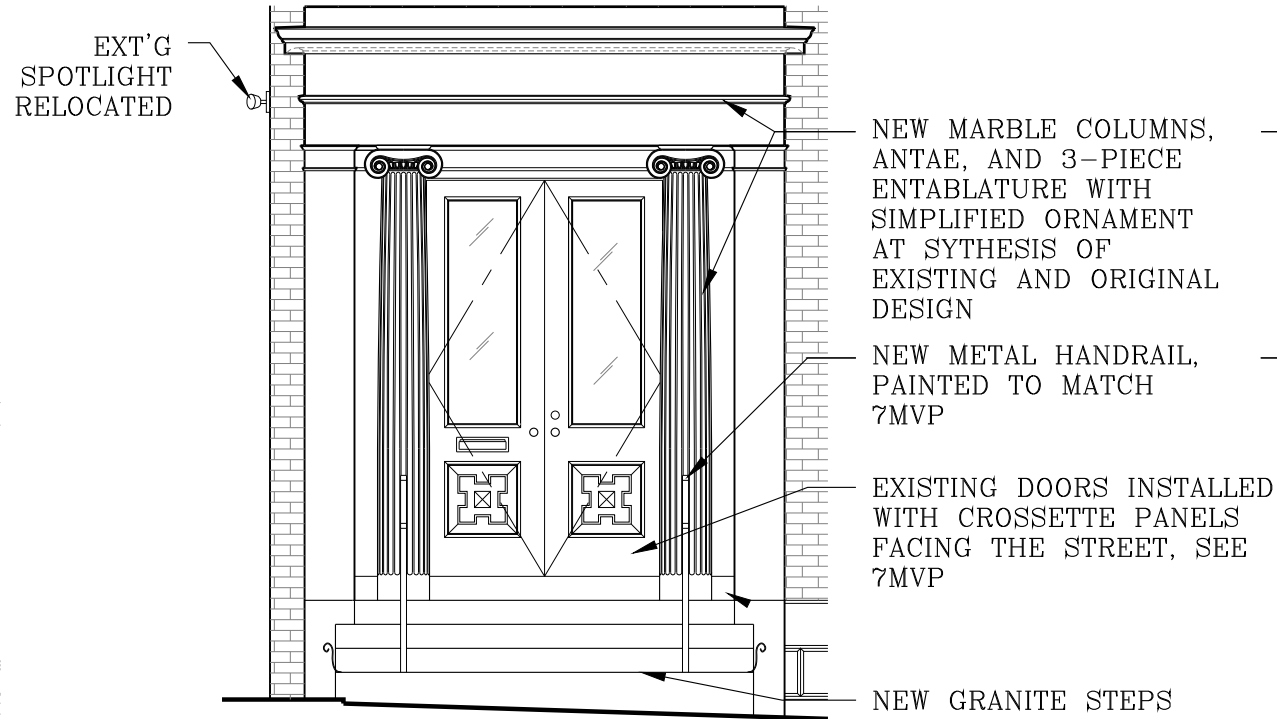
3 EXISTING ENTRANCE SECTION
1/4" = 1'-0"



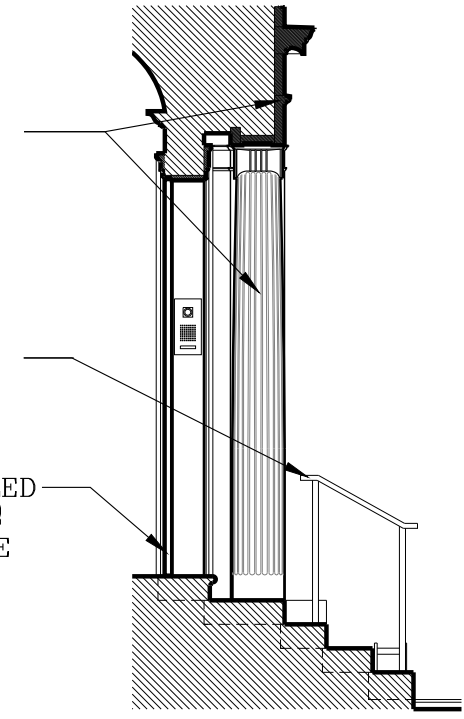
4 EXISTING ENTRANCE PLAN
1/4" = 1'-0"



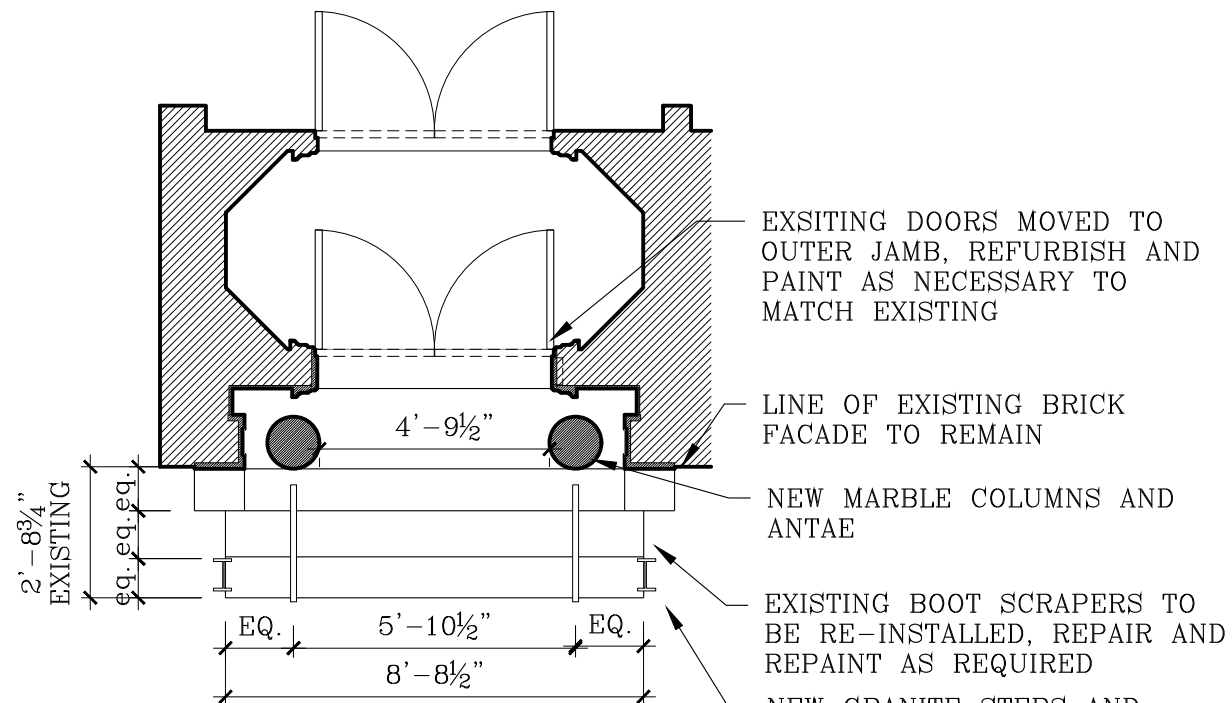
1 PROPOSED ELEVATION
1/8" = 1'-0"



2 PROPOSED ENTRANCE ELEVATION
1/4" = 1'-0"



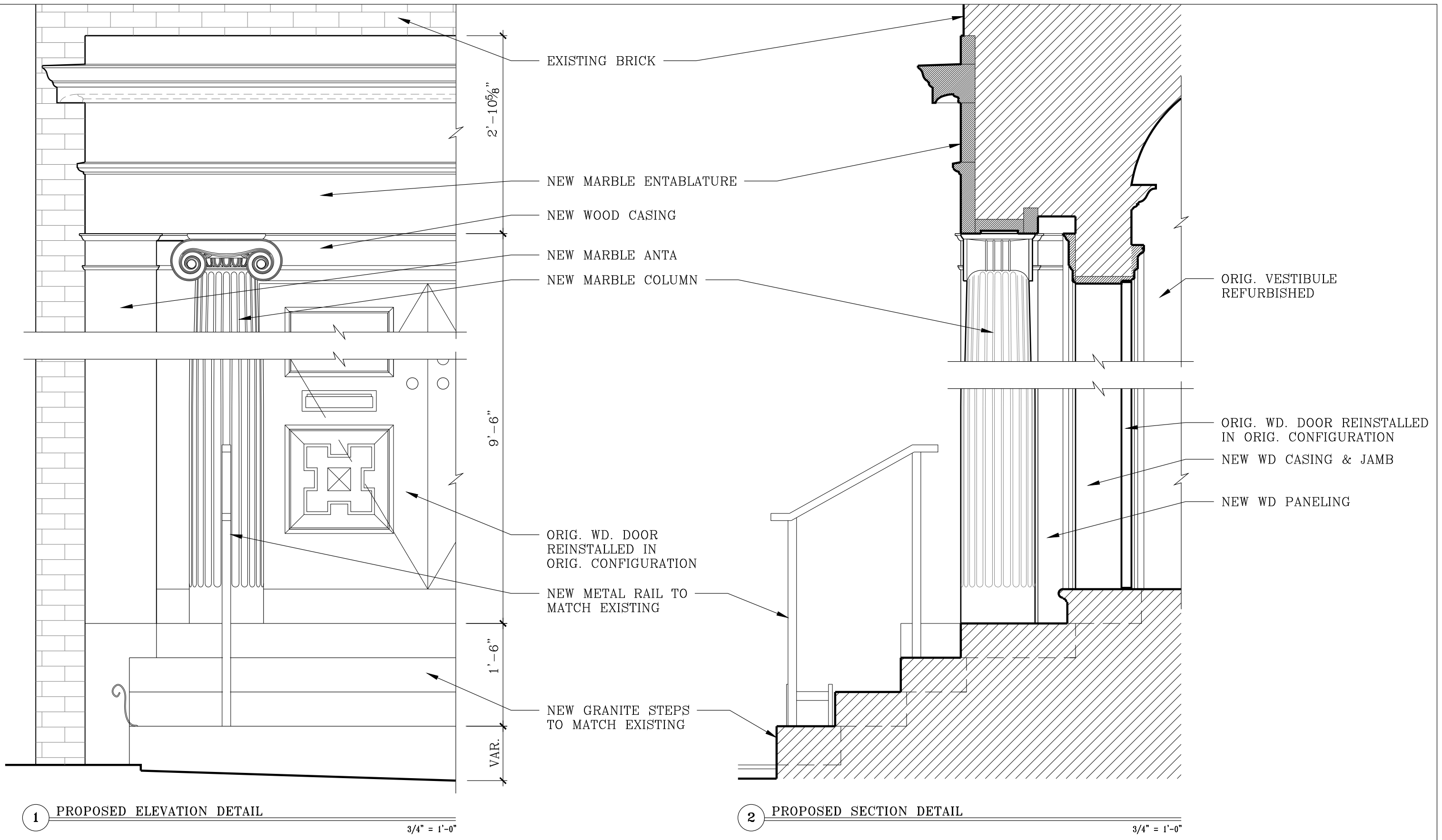
3 PROPOSED ENTRANCE SECTION
1/4" = 1'-0"

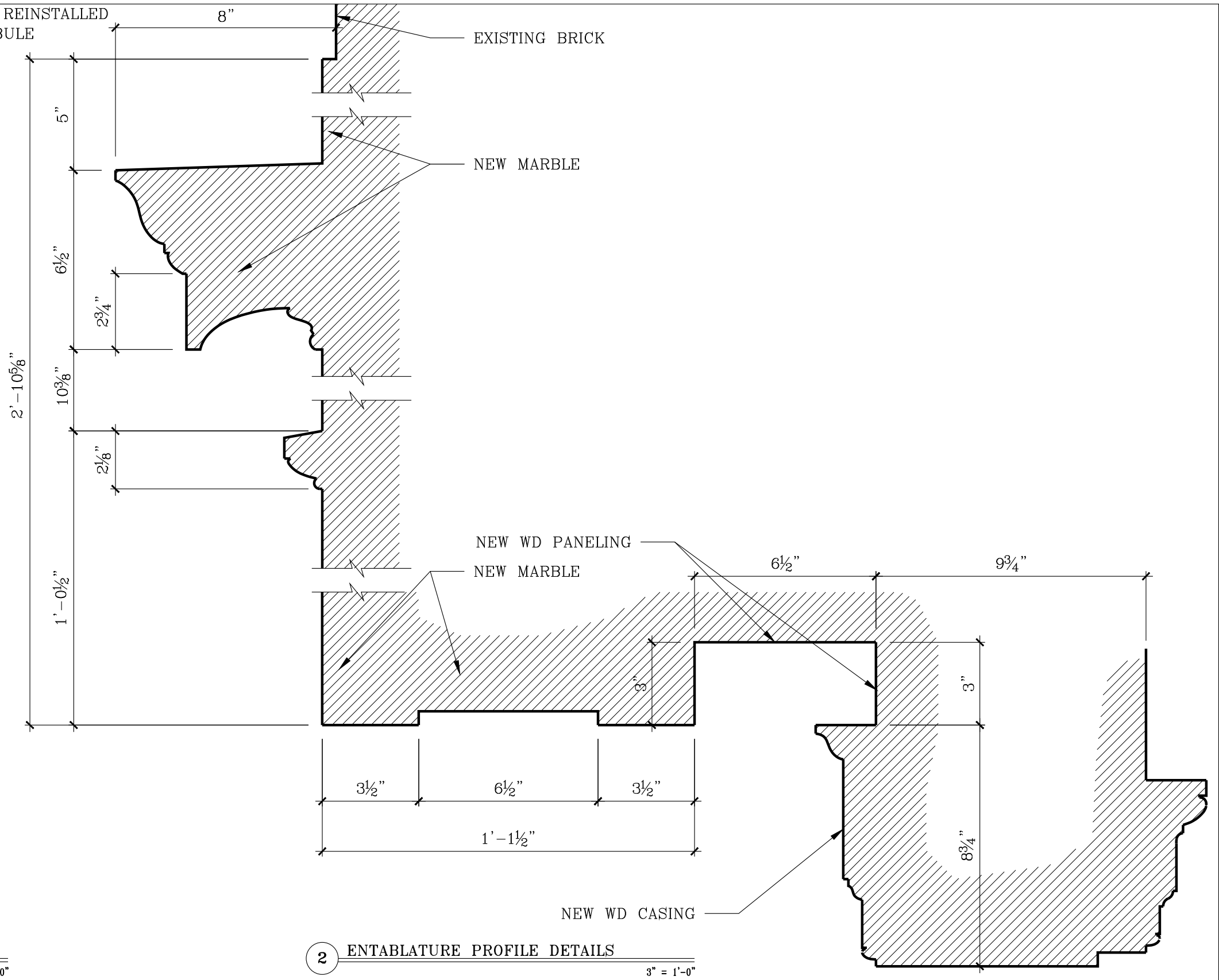
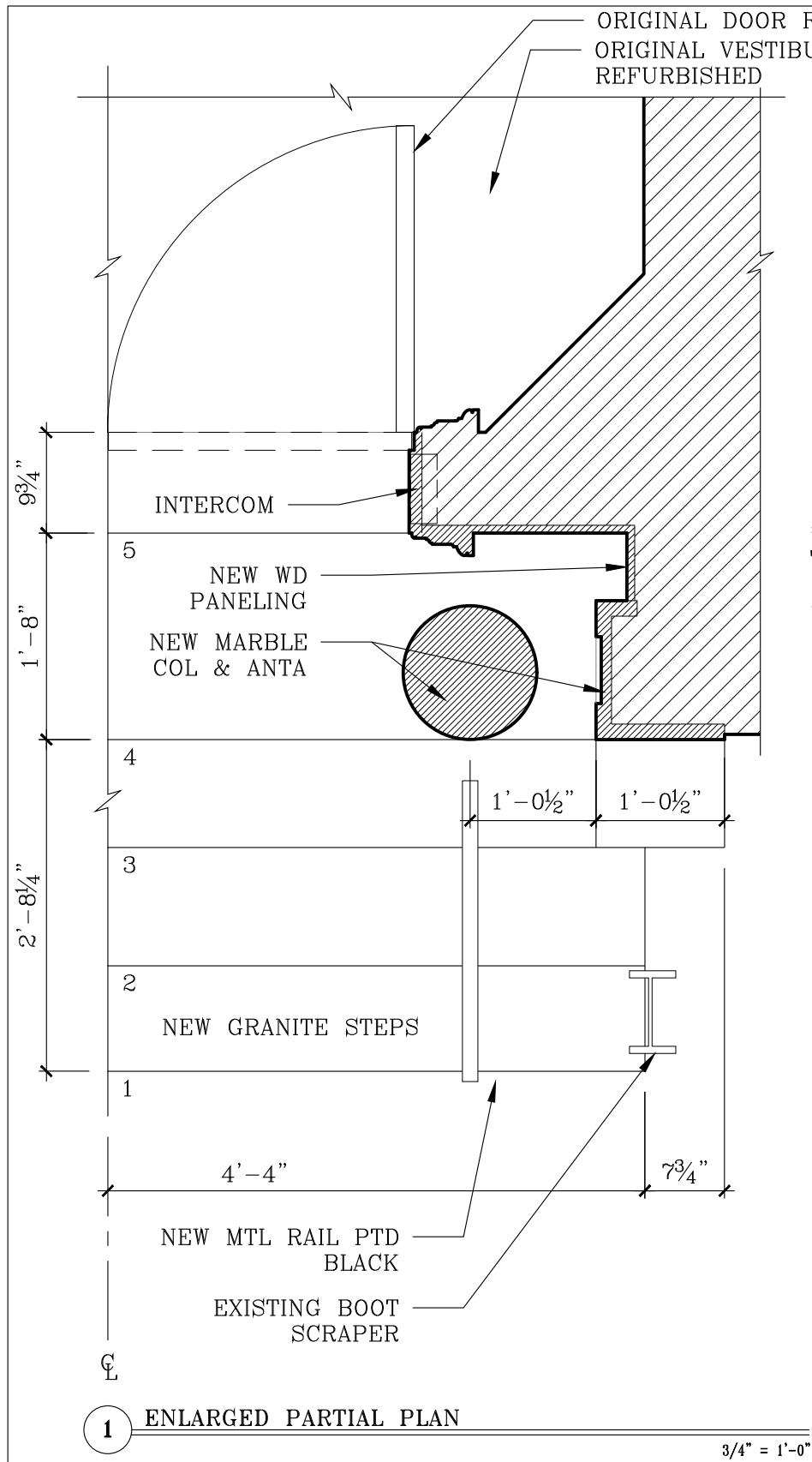


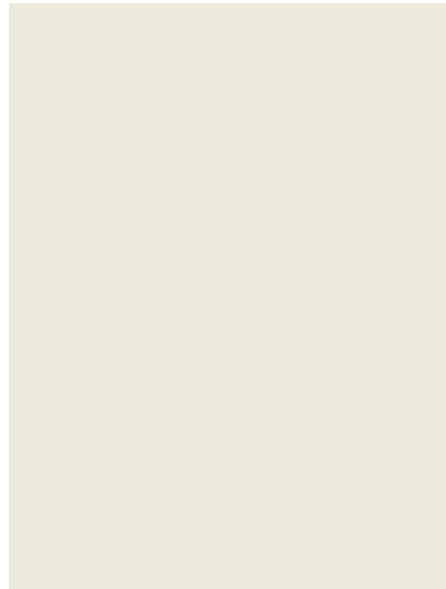
4 PROPOSED ENTRANCE PLAN
1/4" = 1'-0"

DESIGN SUMMARY

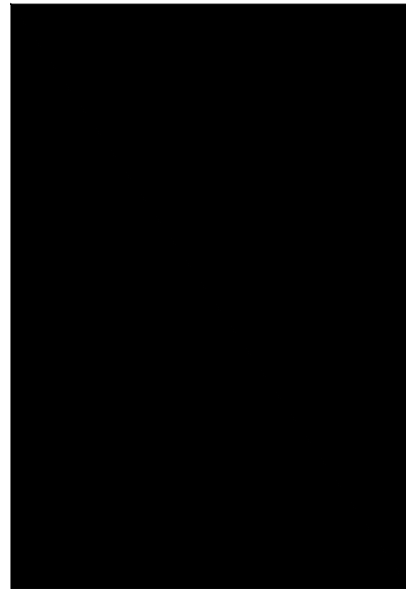
- In keeping with the current building's narrative. Acknowledges design intent of retrofit elements through consistent detailing, materials, and scale.
- Makes current street presence consistent with adjacent properties and neighborhood by making entry more appear resolved and less "hodgepodge"
- Ionic detailing consistent with both layered appearance of this and other neighborhood residences, as well as maintaining the dignity and high level of American design Beacon Hill is known for
- Refurbishes and restores original layout and returns front door to original location at outer jamb.







1 TRIM PAINT COLOR
BENJAMIN MOORE: GLACIER WHITE AC-40



2 DOOR PAINT COLOR
BENJAMIN MOORE: BLACK 2132-10 HIGH GLOSS



3 HANDRAIL PAINT COLOR
BENJAMIN MOORE: BLACK - 2132-10 SEMI-GLOSS



4 STEPS & WATER TABLE:
GRANITE



5 COLUMNS, PILASTERS, ENTABLATURE
WHITE MARBLE



6 DOOR HARDWARE
MERIT METAL: 41400, UNLAQUERED BRASS



7 KEY ESCUTECHON
MERIT META: 41458, UNLAQUERED BRASS

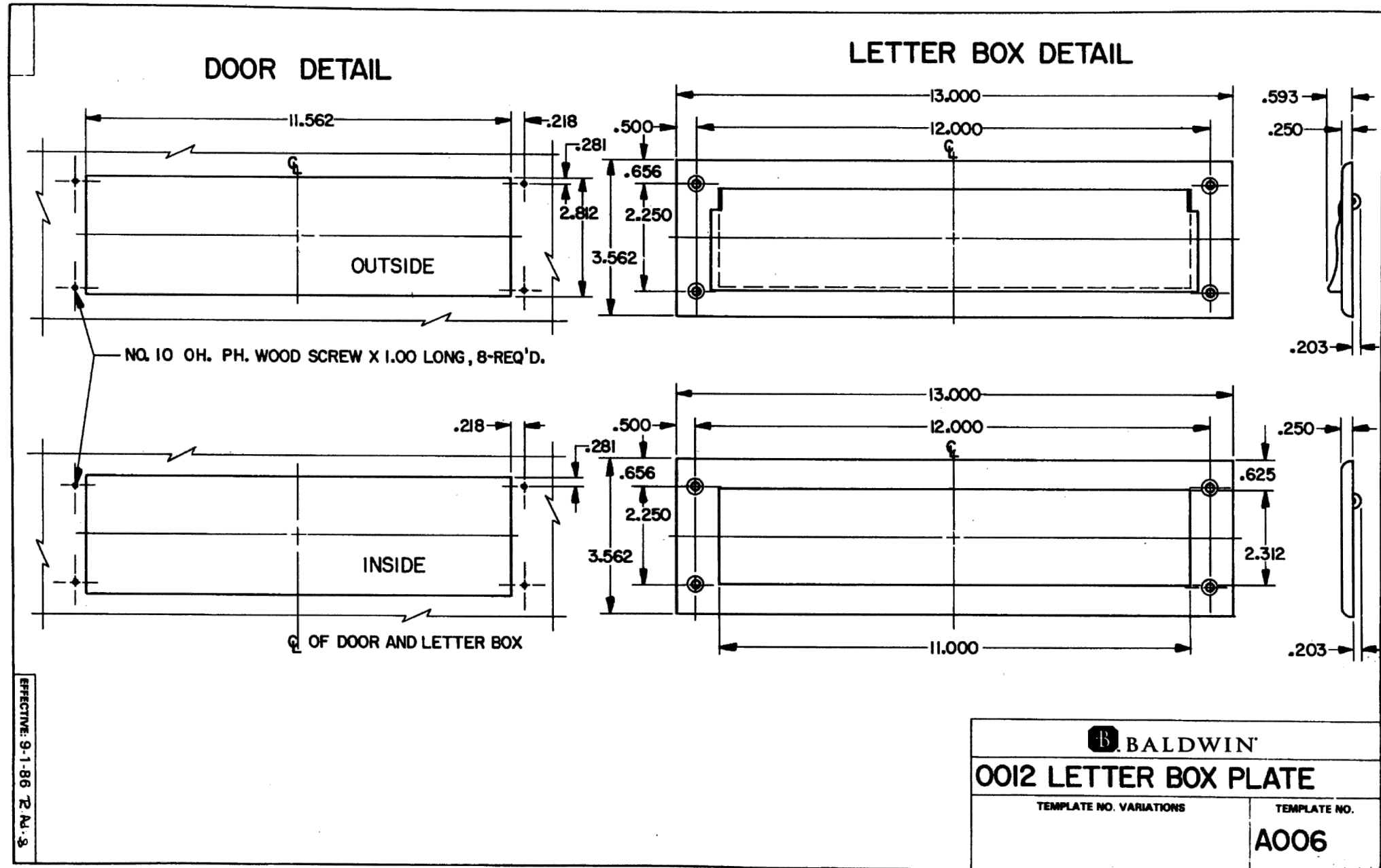


SAMPLE IMAGE
OF BRASS

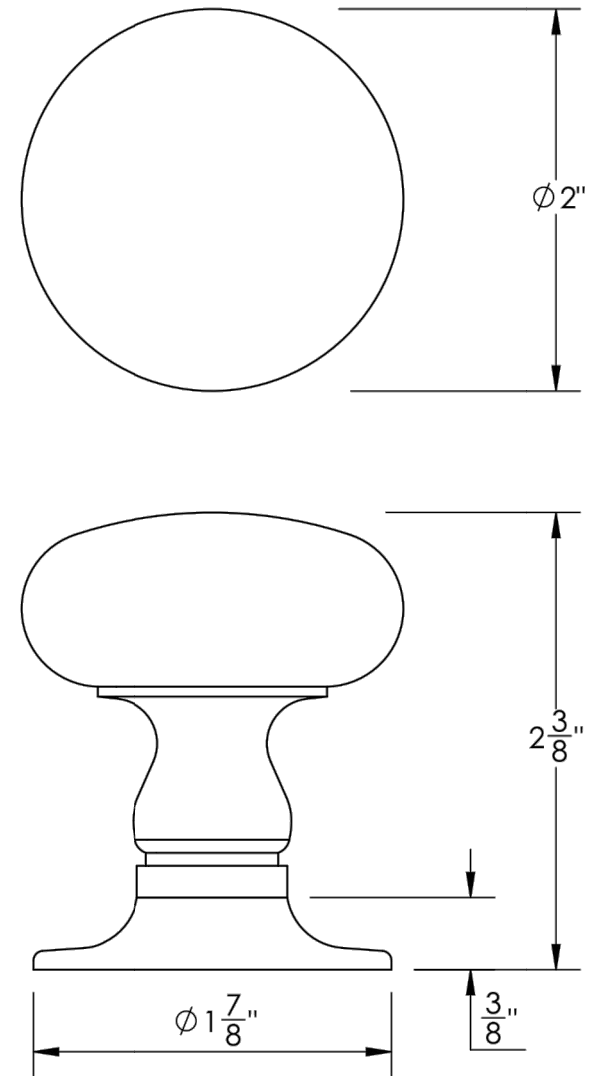
8 MAIL SLOT
BALDWIN: #0012.031, UNLAQUERED BRASS



9 INTERCOM
SEIDEL



DO NOT SCALE DRAWING



Merit Metal Products Inc.
242 Valley Road
Warrington, PA 18976
P 215-343-2500 F 215-343-4839

The information contained in this drawing is the sole intellectual property of Merit Metal Products. Any reproduction in part or as a whole without the written permission of Merit Metal Products is prohibited.

Unless Otherwise Specified:

Dimensions are in inches

All dimensions are from edge, theoretical sharp corner, or hole center.

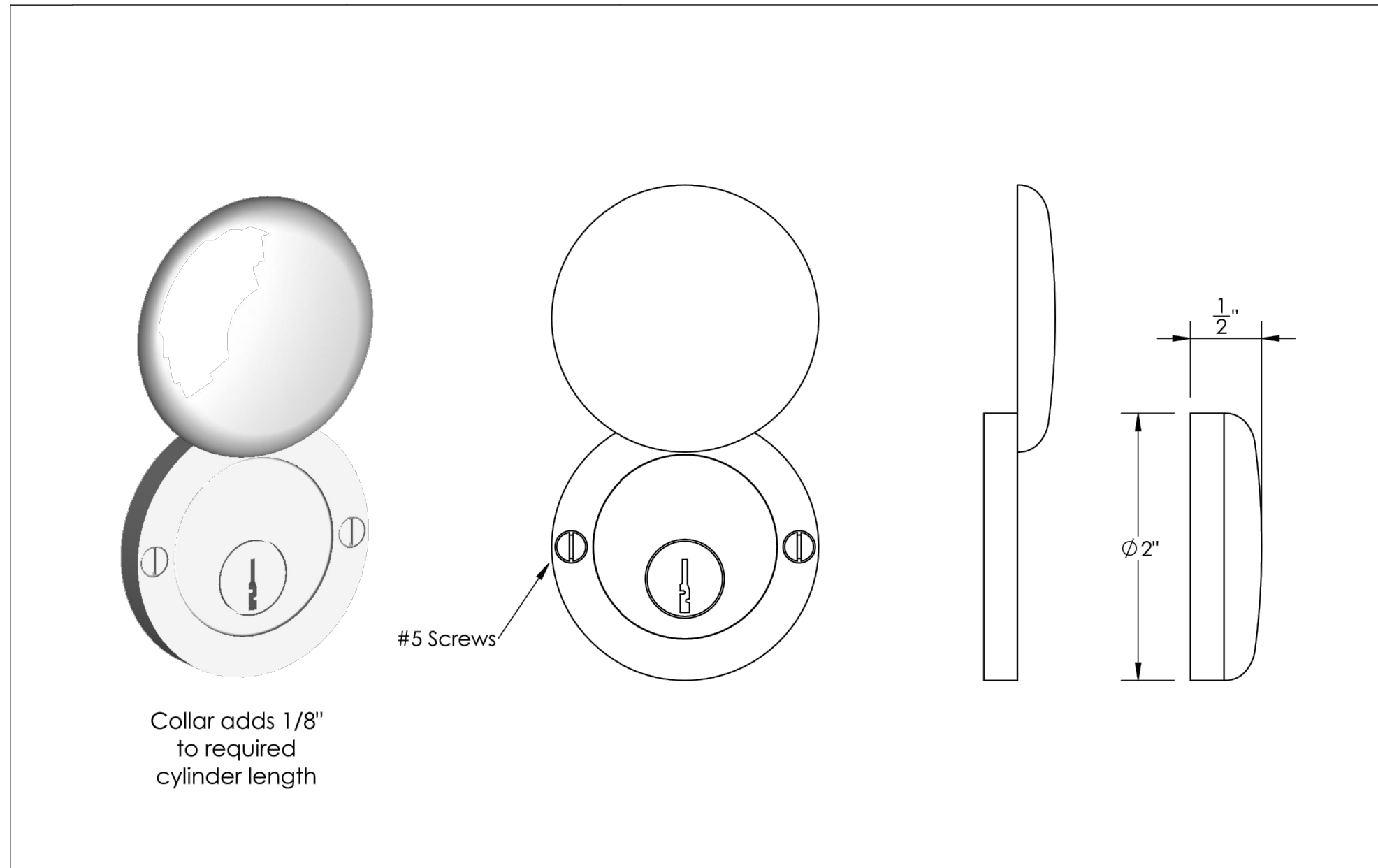
	NAME	DATE
Drawn:	JHR	1/20/15

Comments:

TITLE:

**Warrington Collection
2" Knob & 1 7/8" Rose**

PART. NO. **41400**
41410
41420



Merit Metal Products Inc.
242 Valley Road
Warrington, PA 18976
P 215-343-2500 F 215-343-4839

The information contained in this drawing is the sole intellectual property of Merit Metal Products. Any reproduction in part or as a whole without the written permission of Merit Metal Products is prohibited.

Unless Otherwise Specified:
Dimensions are in inches
All dimensions are from edge, theoretical sharp corner, or hole center.

	NAME	DATE
Drawn:	JHR	1/20/15

Comments:

TITLE:
**Warrington Collection
Cylinder Swivel Cover**

PART. NO.
41458

SSS SIEDLE

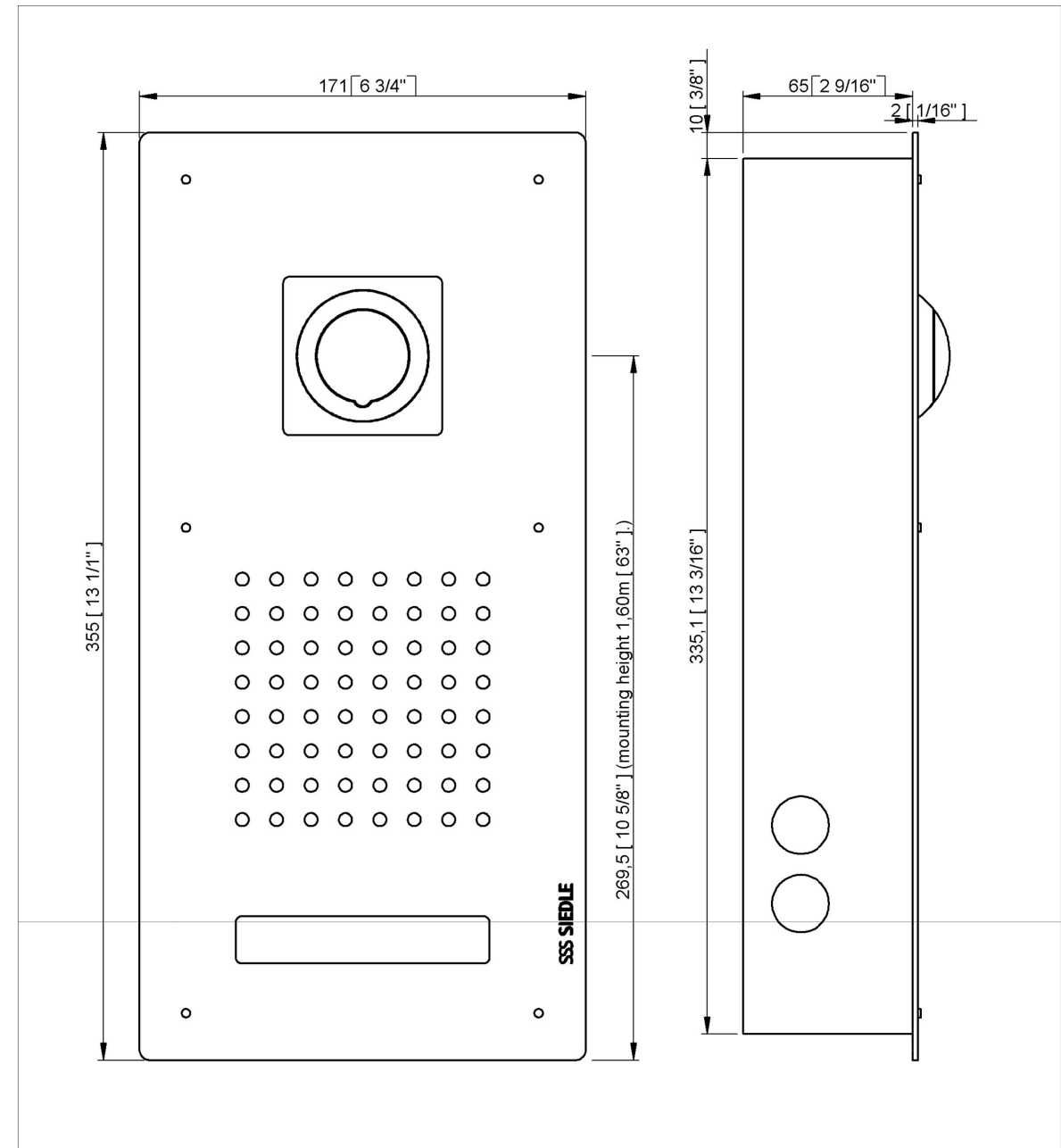
#19



SSS SIEDLE



Page 5 of 6



Page 6 of 6