

remove all storm windows

replace door hardware

replace all windows with wood 2/2 SDL with dark spacer bars

remove sconce and intercom

remove grilles

clean front steps

complete missing portions of railings

install new recessed light beneath arch

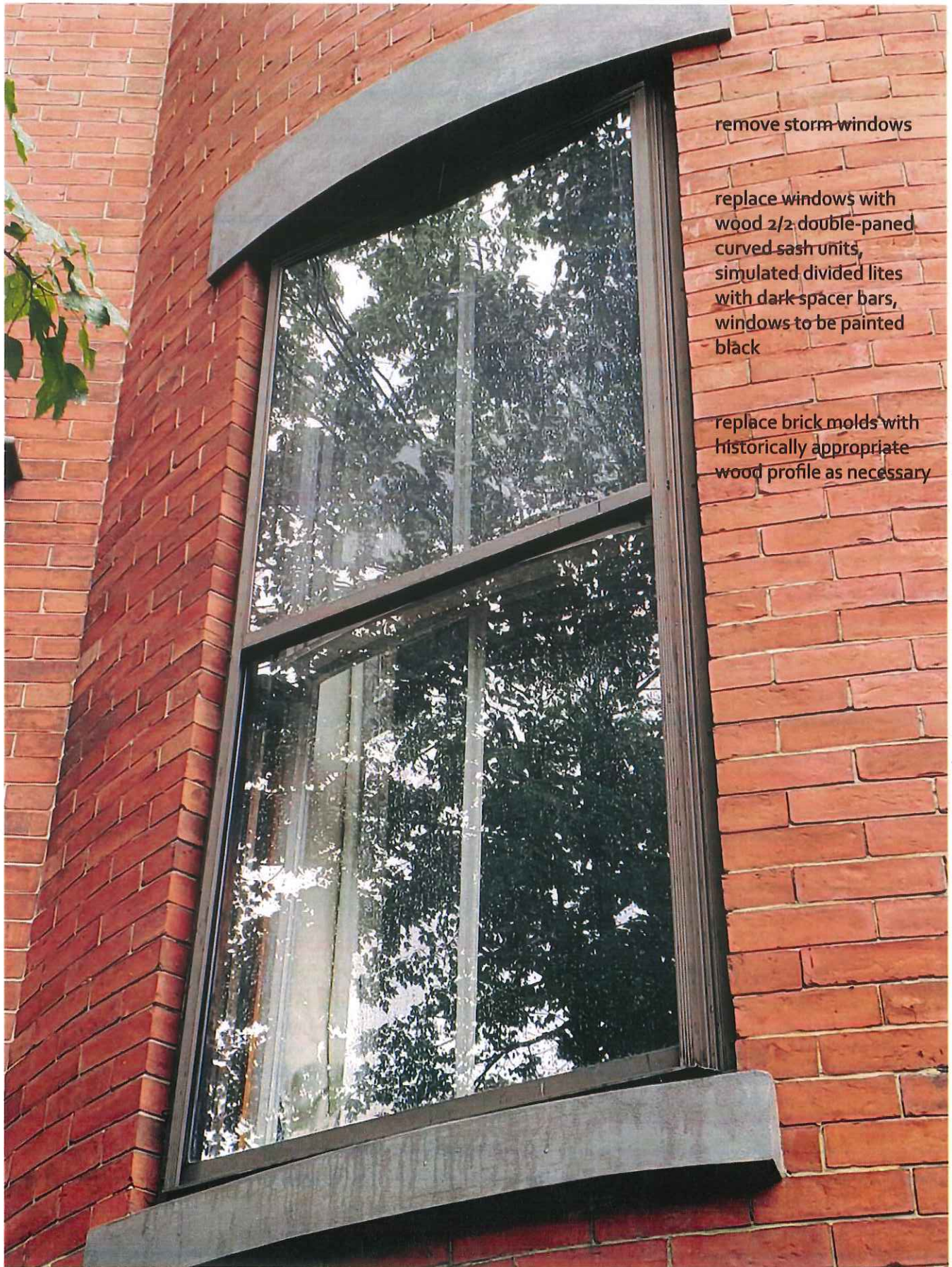


paint front doors and install new hardware

158

restore missing portions
of iron handrails

clean front steps

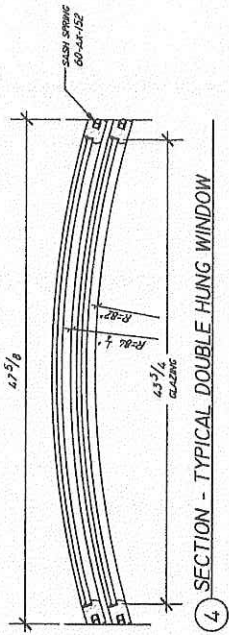
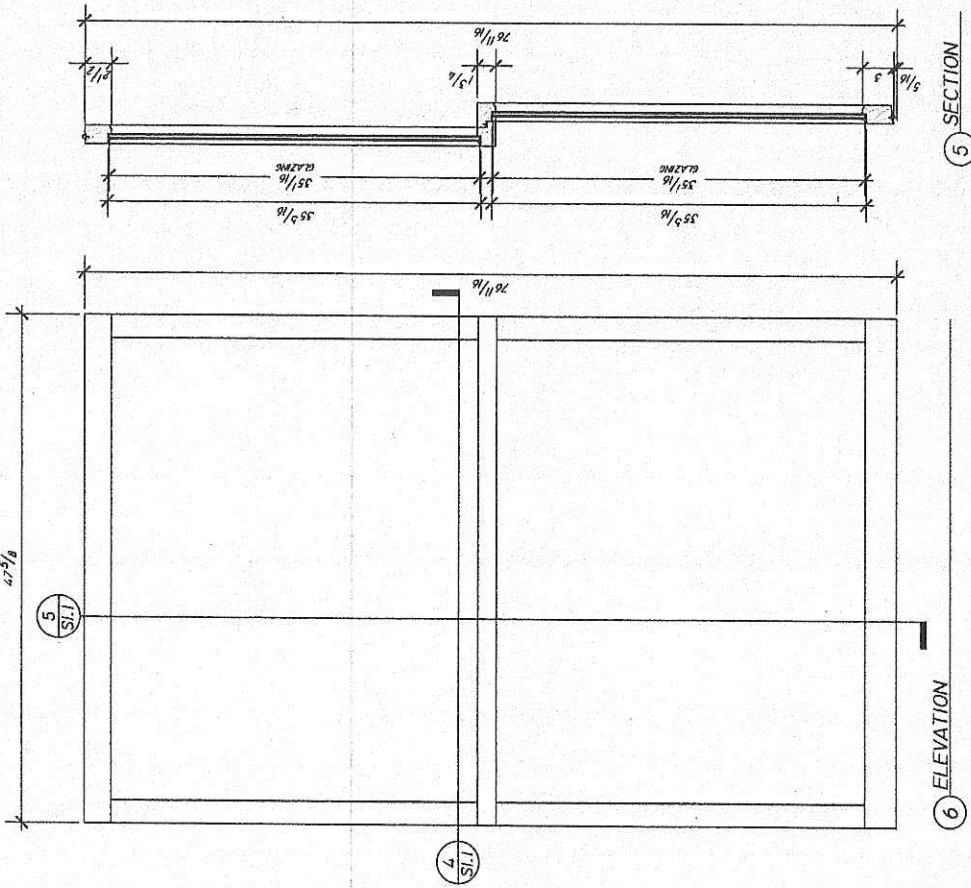


remove storm windows

replace windows with
wood 2/2 double-paned
curved sash units,
simulated divided lites
with dark spacer bars,
windows to be painted
black

replace brick molds with
historically appropriate
wood profile as necessary

note: these are sample details that Liberty Door and Window will be tailoring to the specific masonry openings at 158 West Canton Street. Curved sash with 2/2 configuration to match existing windows.

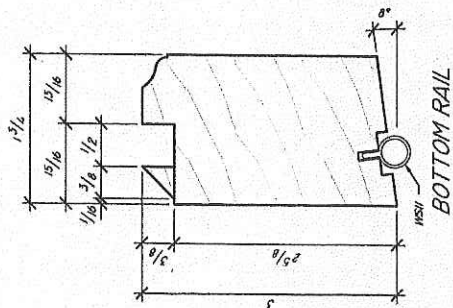
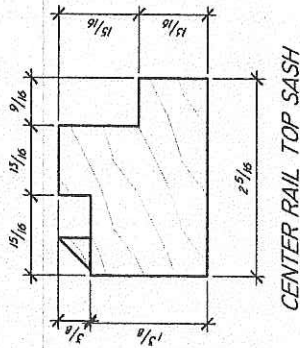
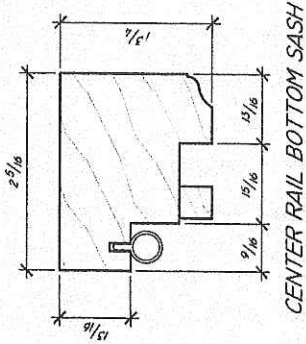
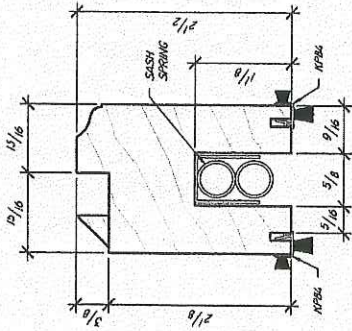


PROJECT NAME: 54 3 BEACON STREET, BOSTON, MA	
TITLE: SASH ELEVATION AND SECTIONS	
JOB NUMBER: 2018-02	DRAWN BY: KTD
DATE: 09/25/2018	REV 1: REV 2: REV 3: REV 4:
DR: GREGG MARTIN	ENGINEER: DMS
DATE: 09/25/2018	REV 1: REV 2: REV 3: REV 4:

Liberty Door and Window
60 Concord Street
North Reading, MA 01864

GENERAL NOTES:
 HOOD SPECIES: SAPELE
 INTERIOR FINISH: PAINTED
 EXTERIOR FINISH: BLACK
 CLASS TYPE: 1/2" LOW-E
 SASH LOCK(S): BALDWIN 0452
 SASH FALL(S):
 SCREEN(S):

DOOR SWING:
 LOCKSET:
 HINGES:
 WEATHERSTRIPS:
 DOOR BOTTOM:
 THRESHOLD:
 INT CASING:
 EXT CASING:



LIBERTY Door and Window 60 Concord Street North Reading, MA 01864		PROJECT NAME: 34 1/2 BELCON STREET, BOSTON, MA
JOB NUMBER: 2018-02	DRAFTER: TTD	TITLE: WINDOW PROFILES
PW: GREGG MARTIN	ENGINEER: DING DATE: 05/23/2018	DRAWING NUMBER: S11
REV. 1: _____	REV. 2: _____	PAGE 2 OF 2
REV. 3: _____	REV. 4: _____	
REV. 4: _____		

- GENERAL NOTES:
- HOOD SPECIES: SARELE
 - INTERIOR FINISH: PINE
 - EXTERIOR FINISH: BLACK
 - GLASS TYPE: 1/2" LOW-E
 - SASH LOCKS: BELDRIN 243E
 - SASH ROLLER: _____
 - SCREENS: _____
- DOOR SHIM:
- LOCKSET: _____
 - HANGES: _____
 - WEATHERSTRIPS: _____
 - DOOR BOTTOM: _____
 - THRESHOLD: _____
 - INT. CASING: _____
 - EXT. CASING: _____































