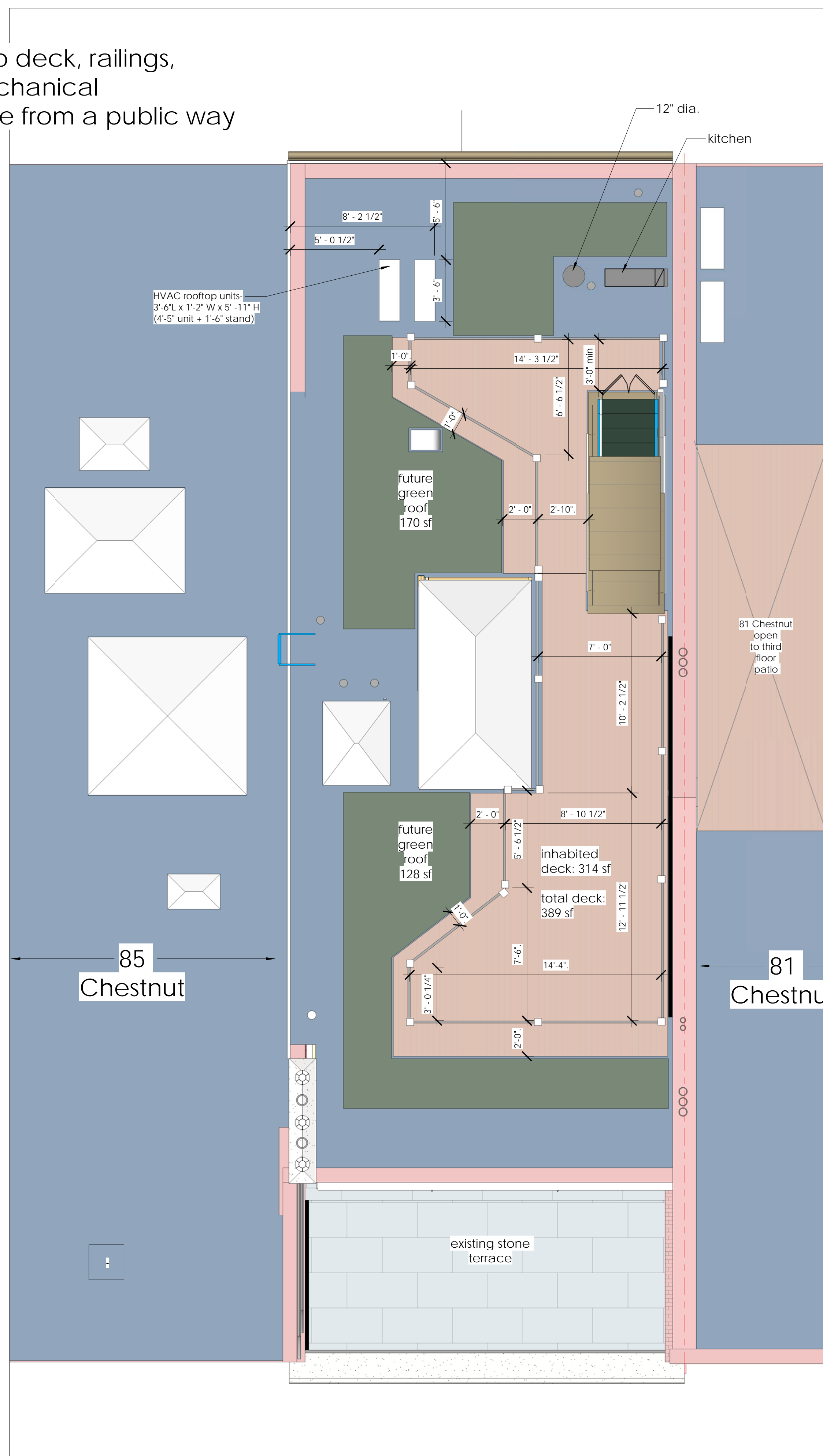
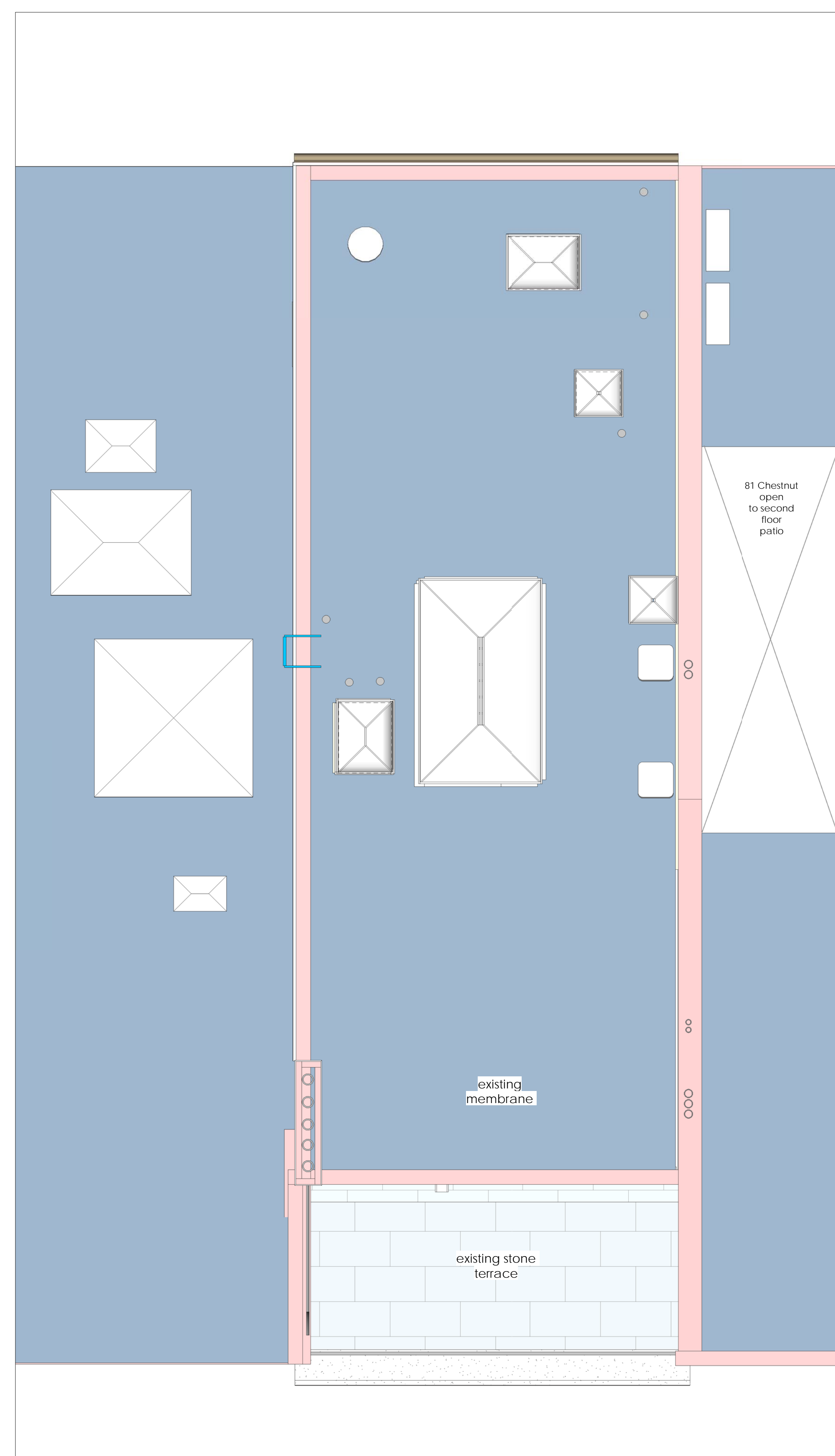


C:\Users\dmay\Documents\CENTRAL\_01789 Mainhouse Residence.dwg 8/28/2018 4:07:20 PM

No portion of roof top deck, railings, access hatch, or mechanical equipment are visible from a public way



1 proposed roofdeck & headhouse sk  
A.1.1.1 1/4" = 1'-0"



2 roof - existing conditions  
A.1.1.1 1/4" = 1'-0"

**DSK** Dewing Schmid Kearns  
ARCHITECTS + PLANNERS  
Suite 200B  
30 Monument Square  
Concord, MA 01742  
978.371.7500  
280 Elm Street  
South Dartmouth  
MA 02748  
www.dskap.com

NO.	DATE	REVISION	BY

NO.	DATE	ISSUED	BY

TITL  
roof plans

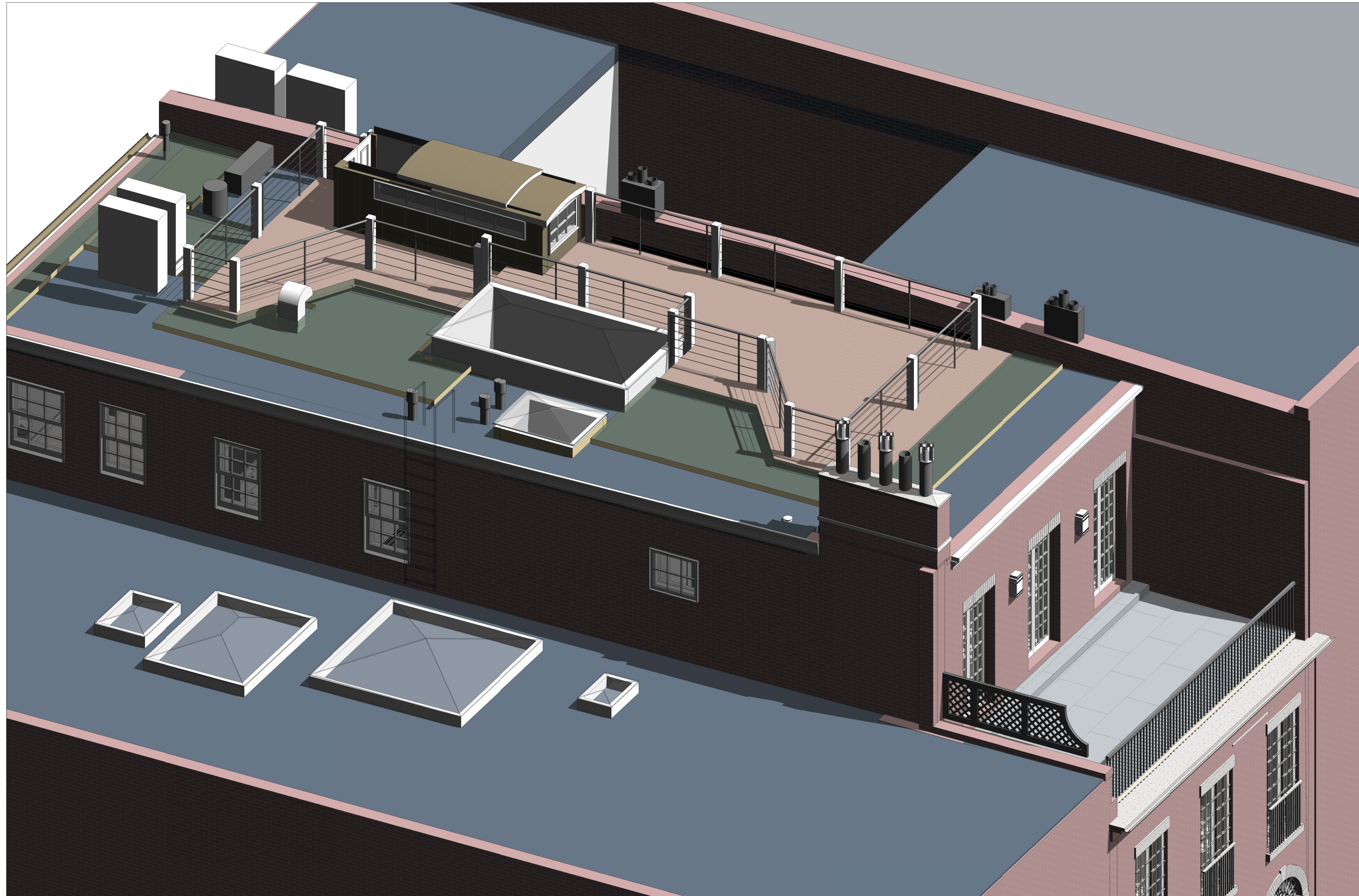
DATE 08/28/2018  
SCALE 1/4" = 1'-0"  
JOB NO. 01739.00  
DRAWN BY dfm

A.1.1.1

for construction

C:\Users\dmay\Documents\CENTRAL\_01789 Manoussakis Residence.dwg 8/28/2018 4:07:42 PM

No portion of roof top deck, railings, access hatch, or mechanical equipment are visible from a public way



1 3D roof deck SW  
xA.8.1

**DSK** Dewing Schmid Kearns  
ARCHITECTS + PLANNERS

Suite 200B  
30 Monument Square  
Concord, MA 01742  
978.371.7500

280 Elm Street  
South Dartmouth  
MA 02748

[www.dskap.com](http://www.dskap.com)


NO. DATE REVISION BY


NO. DATE ISSUED BY

TITLE

roofdeck view

DATE 08/28/2018

SCALE

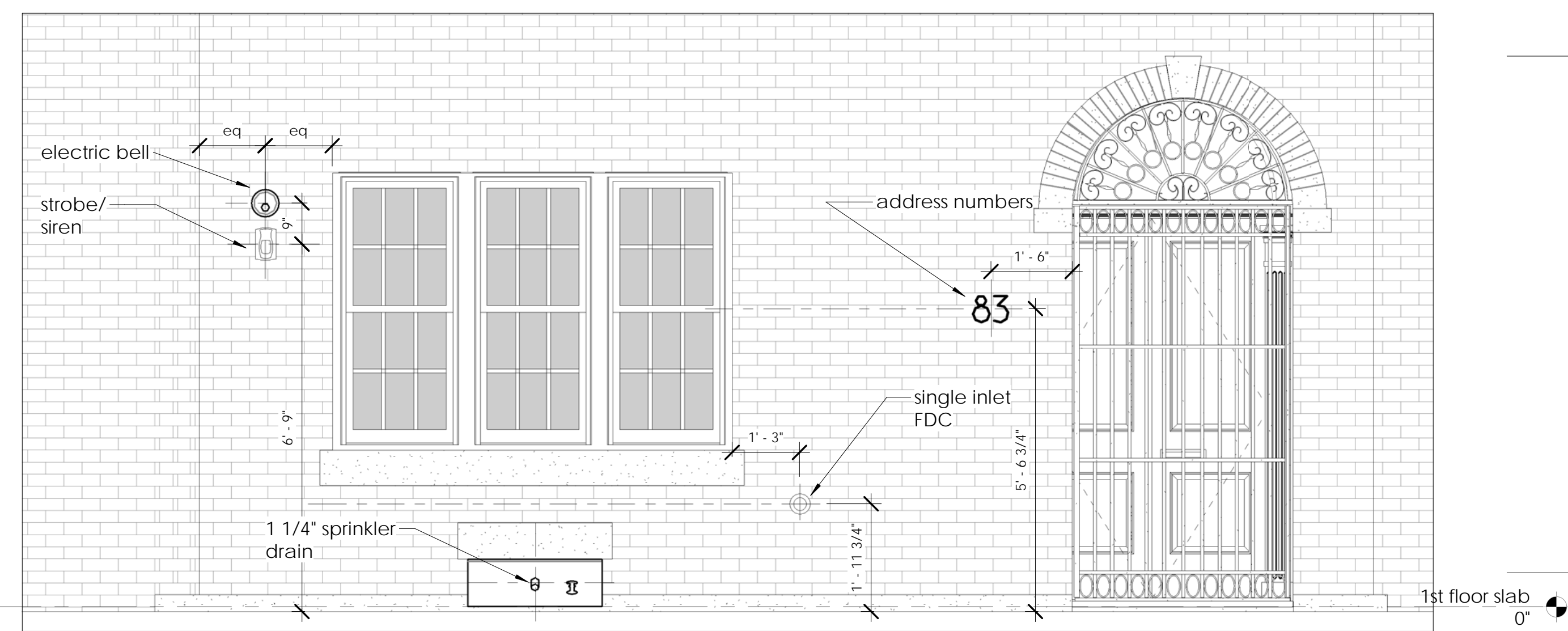
JOB NO. 01739.00

DRAWN BY dfm

xA.8.1

for construction

# Locations for single inlet Fire Department Connection, siren/strobe, electric bell, sprinkler drain, and house address numbers



2 south - detail  
A.2.1.2 1/2" = 1'-0"



**DSK** Dewing Schmid Kearns  
ARCHITECTS + PLANNERS

Suite 200B  
30 Monument Square  
Concord, MA 01742  
978.371.7500

280 Elm Street  
South Dartmouth  
MA 02748

[www.dskap.com](http://www.dskap.com)

NO.	DATE	REVISION	BY

NO.	DATE	ISSUED	BY

TITLE  
ELEVATIONS:  
south elevation

DATE 08/28/2018  
SCALE As indicated  
JOB NO. 01739.00  
DRAWN BY dfm

**A.2.1.2**

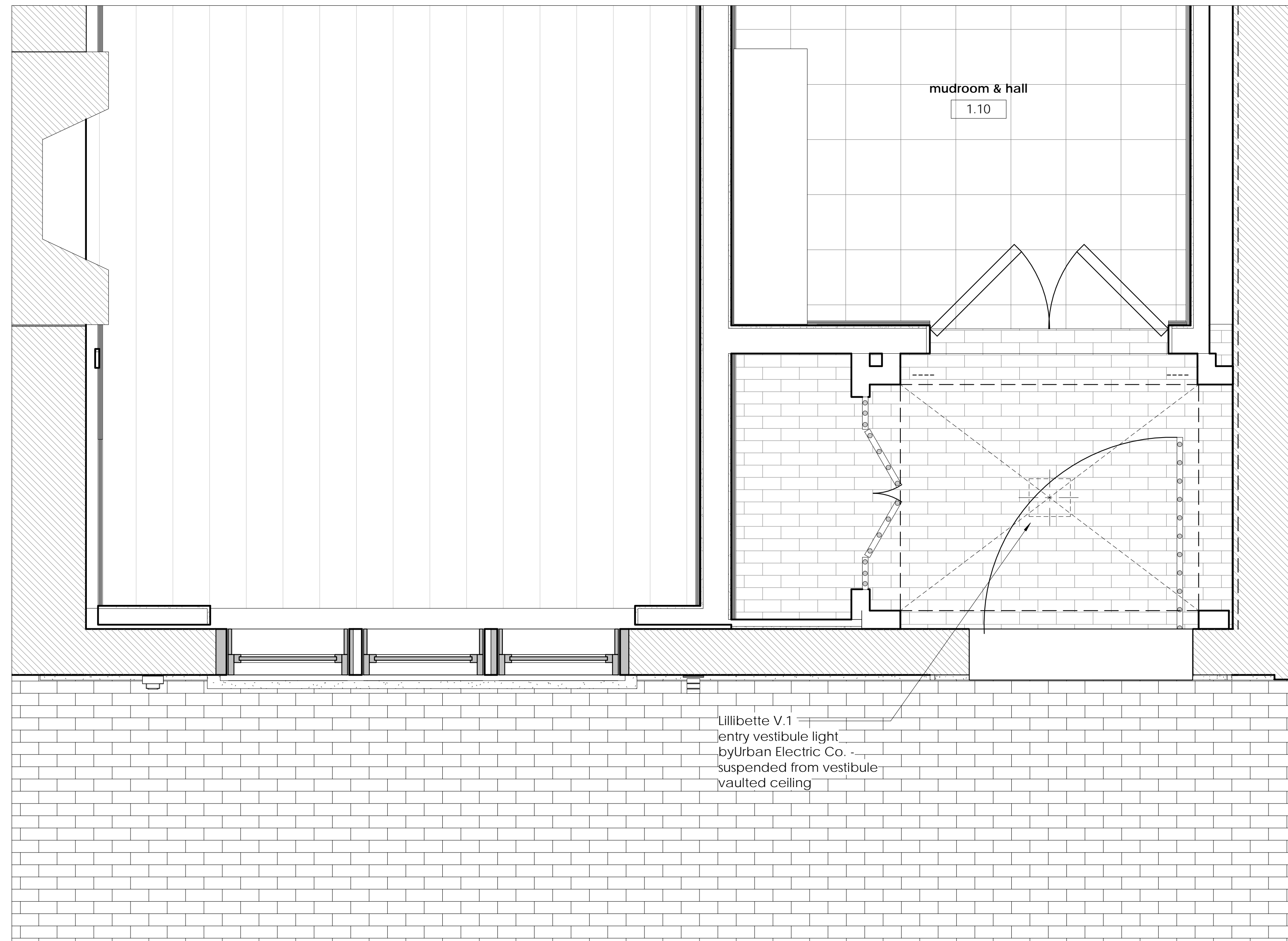
for construction



LILLIBETTE V.1

MA-8315

# Proposed entry vestibule lighting



Lillibette V.1  
entry vestibule light  
by Urban Electric Co.  
suspended from vestibule  
vaulted ceiling

1 first floor - vestibule lighting  
A.2.5 3/4" = 1'-0"

**DSK** Dewing Schmid Kearns  
ARCHITECTS + PLANNERS

Suite 200B  
30 Monument Square  
Concord, MA 01742  
978.371.7500

280 Elm Street  
South Dartmouth  
MA 02748

[www.dskap.com](http://www.dskap.com)

NO.	DATE	REVISION	BY

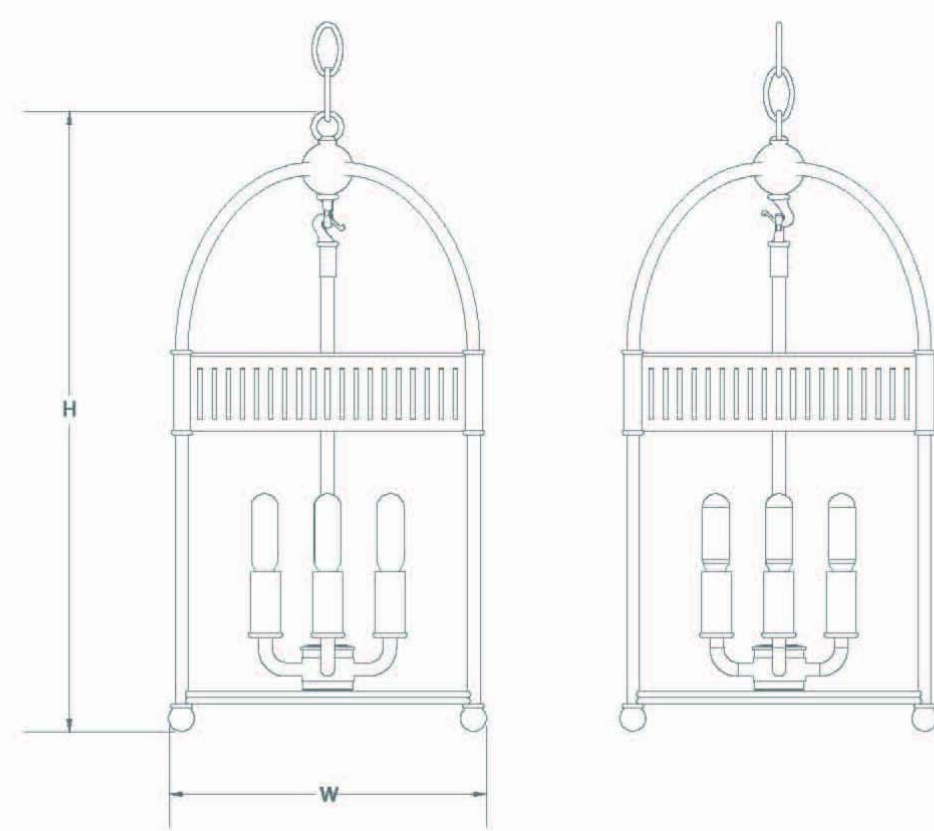
NO.	DATE	ISSUED	BY

TITLE  
PLANS:  
entry

DATE	08/28/2018
SCALE	3/4" = 1'-0"
JOB NO.	01739.00
DRAWN BY	dfm

A.2.5

for construction



LILLIBETTE V.1

MICHAEL AMATO / MA-8315

	W	H	D	LAMP	CANOPY	X	Y	Z	UL	WEIGHT
HANG LARGE	MA-8315HL	14	28	4-60W-C	6" DIAM				DAMP	21 lbs
HANG REGULAR	MA-8315HR	9	18	4-60W-C	6" DIAM				DAMP	11 lbs

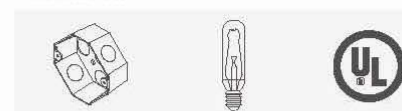
AVAILABLE FINISHES

- STANDARD AB, BL, BZ, WH
- PREMIUM I AG, AS, BP, DT, GT, HN, PT, PW, SB, SG, VN, ZC
- PREMIUM II HR, PB, PBU, PN

AVAILABLE GLASS

- STANDARD CL
- PREMIUM CG, ET, IC, GN, MI, PT, RT, SD, TM

DETAILS



NOTES

- Designed by Michael Amato.
- Photographed in polished nickel with ice glass.
- Standard canopy, chain and interior cluster for PT is polished nickel.
- Ships with complimentary bulb(s).
- © Copyright 2003-2014 The Urban Electric Co. All rights reserved.

## SPECIFICATIONS

### SINGLE WALL HYDRANT

Polished brass 8" plate lettered HYDRANT and female N.P.T. x male hose thread snoot with cap and chain. Round or square plate and size as selected by model number.

### TWO-WAY & THREE-WAY WALL HYDRANTS

Polished brass 8" plate lettered HYDRANT and female N.P.T. x male hose thread snoot with cap and chain. Round or square plate and size as selected by model number.

## MODEL SELECTION

### ROUND SINGLE HYDRANTS

5801

5802

5803

### SQUARE SINGLE HYDRANTS

5811

5812

5813

### TWO-WAY & THREE WAY HYDRANTS

5821

5822

5825

5826

5835

5836



## PRODUCT OPTIONS

### FINISHES:

-D Polished Chrome Plated

### OPTION:

-G 3" Male hose Thread Outlet

### THREADS:

N.S.T.

Other \_\_\_\_\_

### LETTERING AVAILABLE:

WALL HYDRANT

HYDRANT

Call Potter Roemer - Fire Pro for current listings and approvals. Dimensions are subject to manufacturer's tolerance and may change without notice. Potter Roemer - Fire Pro assumes no responsibility for use of void or superceded data. © Copyright Potter Roemer - Fire Pro, Member of Morris Group International™ Please visit [potterroemer.com](http://potterroemer.com) for most current specifications.

**5801-5836 SERIES** Date: 03/27/14

**MEMBERSHIP**



FIRE EQUIPMENT  
MANUFACTURERS'  
ASSOCIATION

**ONFSA**  
NATIONAL FIRE SPRINKLER ASSOCIATION, INC.



**CASPE**  
American Society of  
Plumbing Engineers



## POTTER ROEMER/FIRE PRO

Headquarters:  
P.O. Box 3527  
City of Industry, CA  
91744 U.S.A.  
Los Angeles Area  
800-366-3473  
626-855-4890

Also in:  
New York (800) 526-4592  
Chicago (800) 547-3473  
Atlanta (800) 762-0542  
Miami (866) 961-3473  
Dallas (866) 644-3473

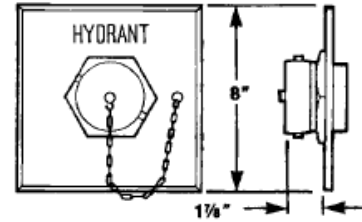
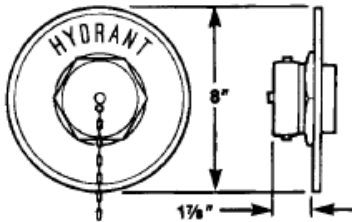
[www.potterroemer.com](http://www.potterroemer.com)

**MODEL DIMENSIONS**

ROUND SINGLE HYDRANT	
Model No.	Size
5801	2-1/2"
5802	2-1/2" x 3"
5803	3"

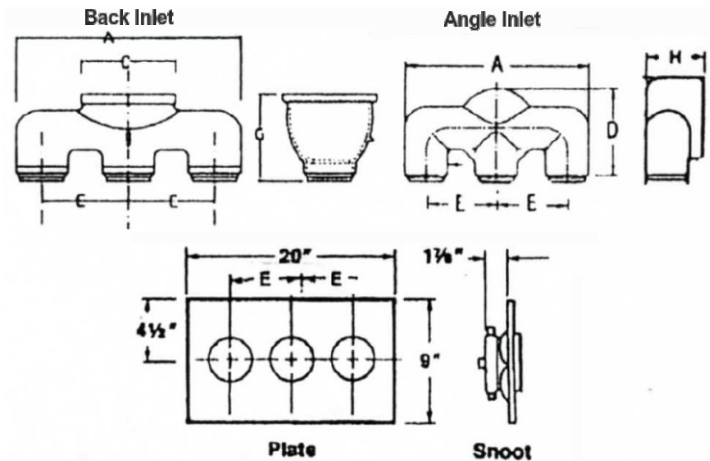
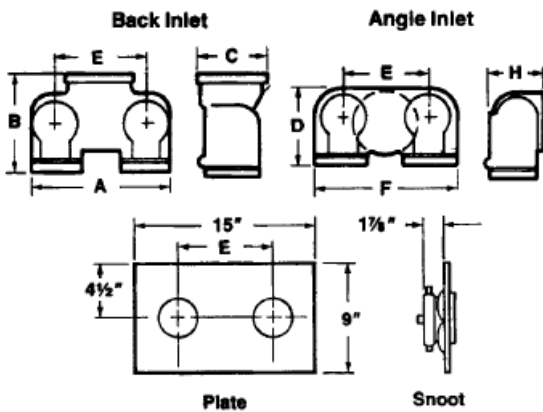


SQUARE SINGLE HYDRANT	
Model No.	Size
5811	2-1/2"
5812	2-1/2" x 3"
5813	3"



**TWO-WAY & THREE-WAY HYDRANTS**

Inlet Location		Size	No. Outlets	A	B	C	D	E	F	G	H
Back Model No.	Angle Model No.										
5821	5822	4 x 2-1/2 x 2-1/2	2	11	6	5-1/2	6	7	11	-	5-3/4
5825	5826	6 x 2-1/2 x 2-1/2	2	12-3/4	8-3/4	7-3/4	9-1/2	7-1/2	12	-	5-1/4
5835	5836	6 x 2-1/2 x 2-1/2 x 2-1/2	3	17-5/16	-	7-3/8	-	6-5/8	6-3/4	6-3/4	6



**Two-Way Hydrant**

**Three-Way Hydrant**

Call Potter Roemer - Fire Pro for current listings and approvals. Dimensions are subject to manufacturer's tolerance and may change without notice. Potter Roemer - Fire Pro assumes no responsibility for use of void or superseded data. © Copyright Potter Roemer - Fire Pro, Member of Morris Group International™ Please visit [potterroemer.com](http://potterroemer.com) for most current specifications.

**5801-5836 SERIES** Date: 03/27/14

**MEMBERSHIP**



FIRE EQUIPMENT MANUFACTURERS' ASSOCIATION



**POTTER ROEMER/FIRE PRO**

Headquarters:  
P.O. Box 3527  
City of Industry, CA  
91744 U.S.A.  
Los Angeles Area  
800-366-3473  
626-855-4890

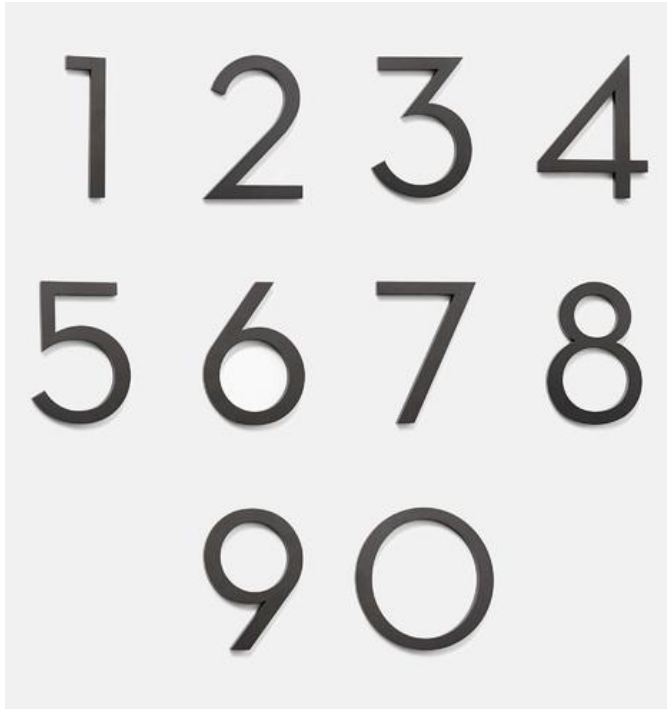
Also in:  
New York (800) 526-4592  
Chicago (800) 547-3473  
Atlanta (800) 762-0542  
Miami (866) 961-3473  
Dallas (866) 644-3473

[www.potterroemer.com](http://www.potterroemer.com)



Say something

# REJUVENATION



## 4" Rock Creek Modern House Numbers

Item #C4369

<https://www.rejuvenation.com/s/ql3y>

Specification	Detail
Item #	C4369
Your House Number	1"
Zero number width	6"
One number width	1-3/4"
Two number width	4-1/4"
Three number width	4"
Four number width	4-5/8"
Five number width	4"
Six number width	4-1/4"
Seven number width	4-3/8"
Eight number width	4-1/4"
Nine number width	4-1/4"
Height of all numbers	6"
Depth	3/4"



## Features

- Listed for indoor and outdoor use
- Outdoor use requires BBK-1 or HC-BB weatherproof back box
- Indoor use mounts directly to standard 4" box
- Low current draw
- High dB output
- AC and DC models
- DC models are motor driven, polarized, and have built in transient protection for supervised alarm circuits
- Available in 6", 8" and 10" sizes



\* ULC on MBA-DC Only

## Description

These vibrating type bells are designed for use as fire or general signaling devices. They have low power consumption and high decibel ratings. The unit mounts on a standard 4" (101mm) square electrical box for indoor use or on a model BBK-1 or HC-BB weatherproof backbox for outdoor applications. Weatherproof backbox model BBK-1 or HC-BB, Stock No. 1500001.

## Notes

1. Minimum dB ratings are calculated from integrated sound pressure measurements made at Underwriters Laboratories as specified in UL Standard 464. UL temperature range is -30° to 150°F (-34° to 66°C)
2. Typical dB ratings are calculated from measurements made with a conventional sound level meter and are indicative of output levels in an actual installation.
3. ULC only applies to MBA DC bells.


Size inches (mm)	Voltage	Model Number	Stock Number	Current (Max.)	Typical dB at 10 ft. (3m) (2)	Minimum dB at 10 ft. (3m) (1)
6 (150)	12VDC	MBA-6-12	1750070	.12A	85	76
8 (200)	12VDC	MBA-8-12	1750080	.12A	90	77
10 (250)	12VDC	MBA-10-12	1750060	.12A	92	78
6 (150)	24VDC	MBA-6-24	1750100	.06A	87	77
8 (200)	24VDC	MBA-8-24	1750110	.06A	91	79
10 (250)	24VDC	MBA-10-24	1750090	.06A	94	80
6 (150)	24VAC	PBA246	1806024*	.17A	91	78
8 (200)	24VAC	PBA248	1808024*	.17A	94	77
10 (250)	24VAC	PBA2410	1810024*	.17A	94	78
6 (150)	120VAC	PBA1206	1806120*	.05A	92	83
8 (200)	120VAC	PBA1208	1808120*	.05A	99	84
10 (250)	120VAC	PBA12010	1810120*	.05A	99	86

All DC bells are polarized and have built-in transient protection. \* Does not have ULC listing.

## Technical Specifications


Dimensions	6" (150mm), 8" (200mm) and 10" (250mm)
Enclosure	Cover: Steel Finish: Red Powder Coat Base: non-corrosive composite material All parts have corrosion resistant finishes Model BBK-1 or HC-BB weatherproof backbox (optional)
Voltages Available	24VAC 120VAC 12VDC (10.2 to 15.6) Polarized 24VDC (20.4 to 31.2) Polarized
Environmental Limitations	Indoor or outdoor use (See Note 1) -40° to 150°F (-40° to 66°C) (Outdoor use requires weatherproof backbox.)
Termination	AC Bells - 4 No. 18 AWG stranded wires DC Bells - Terminal strip
Service Use	NFPA 13, 72, local AHJ

\*Specifications subject to change without notice.



### WARNING

- Installation must be performed by qualified personnel and in accordance with all national and local codes and ordinances.
- Shock hazard. Disconnect power source before servicing. Serious injury or death could result.
- Risk of explosion. Not for use in hazardous locations. Serious injury or death could result.



### WARNING

In outdoor or wet installations, bell must be mounted with weatherproof backbox, BBK-1 or HC-BB. Standard electrical boxes will not provide a weatherproof enclosure. If the bell and/or assembly is exposed to moisture, it may fail or create an electrical hazard.

**Installation**

The bell shall be installed in accordance with NFPA 13, 72, or local AHJ. The top of the device shall be no less than 90" AFF and not less than 6" below the ceiling.

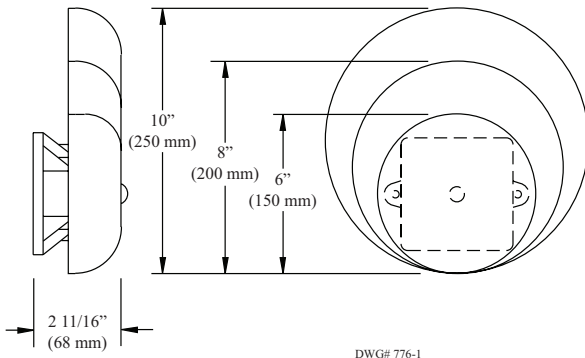
1. Remove the gong.
2. Connect wiring (see Fig. 3).
3. Mount bell mechanism to backbox (bell mechanism must be mounted with the striker pointing down).
4. Reinstall the gong (be sure that the gong positioning pin, in the mechanism housing, is in the hole in the gong).
5. Test all bells for proper operation and observe that they can be heard where required (bells must be heard in all areas as designated by the authority having jurisdiction).

**⚠ WARNING**

Failure to install striker down will prevent bell from ringing.

**Bell Dimension Inches (mm)**

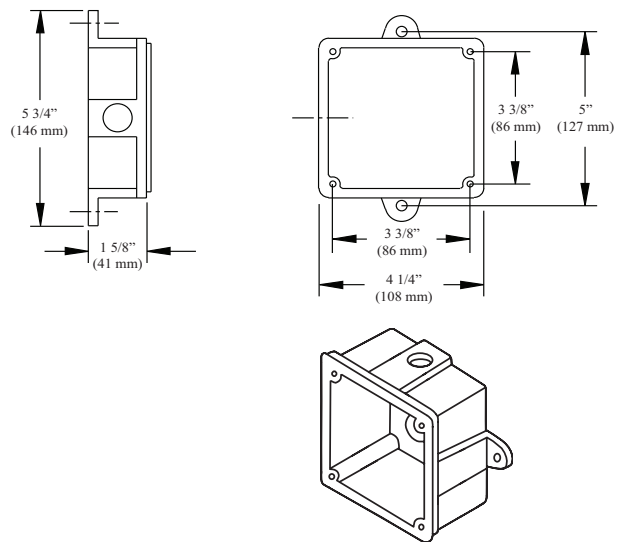
Fig 1



**Weatherproof Backbox Dimensions Inches (mm)**

MODEL BBK-1 OR HC-BB

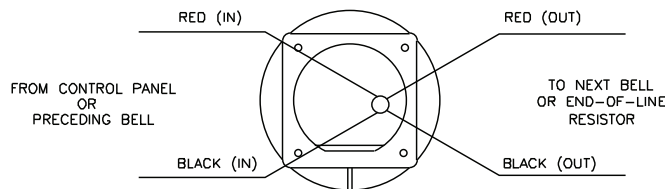
Fig 2



**Wiring Rear View**

Fig 3

**D.C. BELLS (OBSERVE POLARITY)**

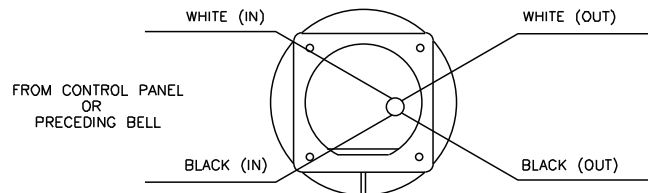


**CAUTION:**  
WHEN ELECTRICAL SUPERVISION IS REQUIRED USE IN AND OUT LEADS AS SHOWN.

**NOTES:**

1. OBSERVE POLARITY TO RING D.C. BELLS.
2. RED WIRES POSITIVE (+).
3. BLACK WIRES NEGATIVE (-).
4. EOL RESISTOR IS SUPPLIED BY FIRE ALARM CONTROL PANEL.

**A.C. BELLS**



**CAUTION:**  
WHEN ELECTRICAL SUPERVISION IS REQUIRED USE IN AND OUT LEADS AS SHOWN.

**NOTES:**

1. WHEN USING A.C. BELLS, TERMINATE EACH EXTRA WIRE SEPERATELY AFTER LAST BELL.
2. END-OF-LINE RESISTOR IS NOT REQUIRED ON AC BELLS .