

FORT POINT CHANNEL LANDMARK DISTRICT COMMISSION

EXTERIOR SIGNAGE REVIEW

INDEX

FPCLDC LOCUS PLAN

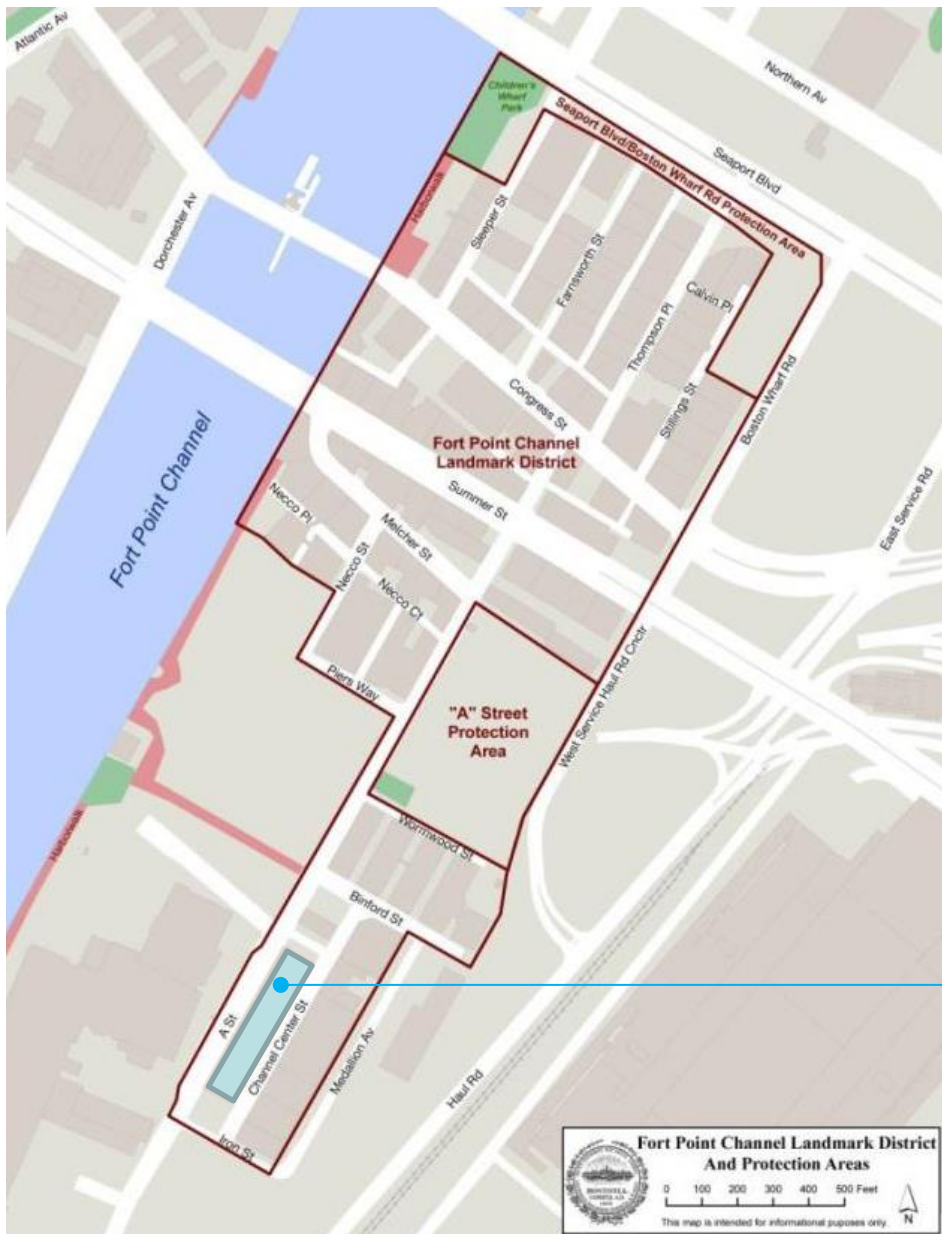
EXISTING CONDITION

BUILDING ELEVATIONS

RENDERINGS OF PROPOSED SIGNAGE LOCATIONS

ELEVATIONS OF DESIGN OPTIONS

BRACKET DETAIL



10-20 CHANNEL CENTER

MAP OF FORT POINT CHANNEL LANDMARKS DISTRICT
WITH BUILDING LOCATION SHOWN

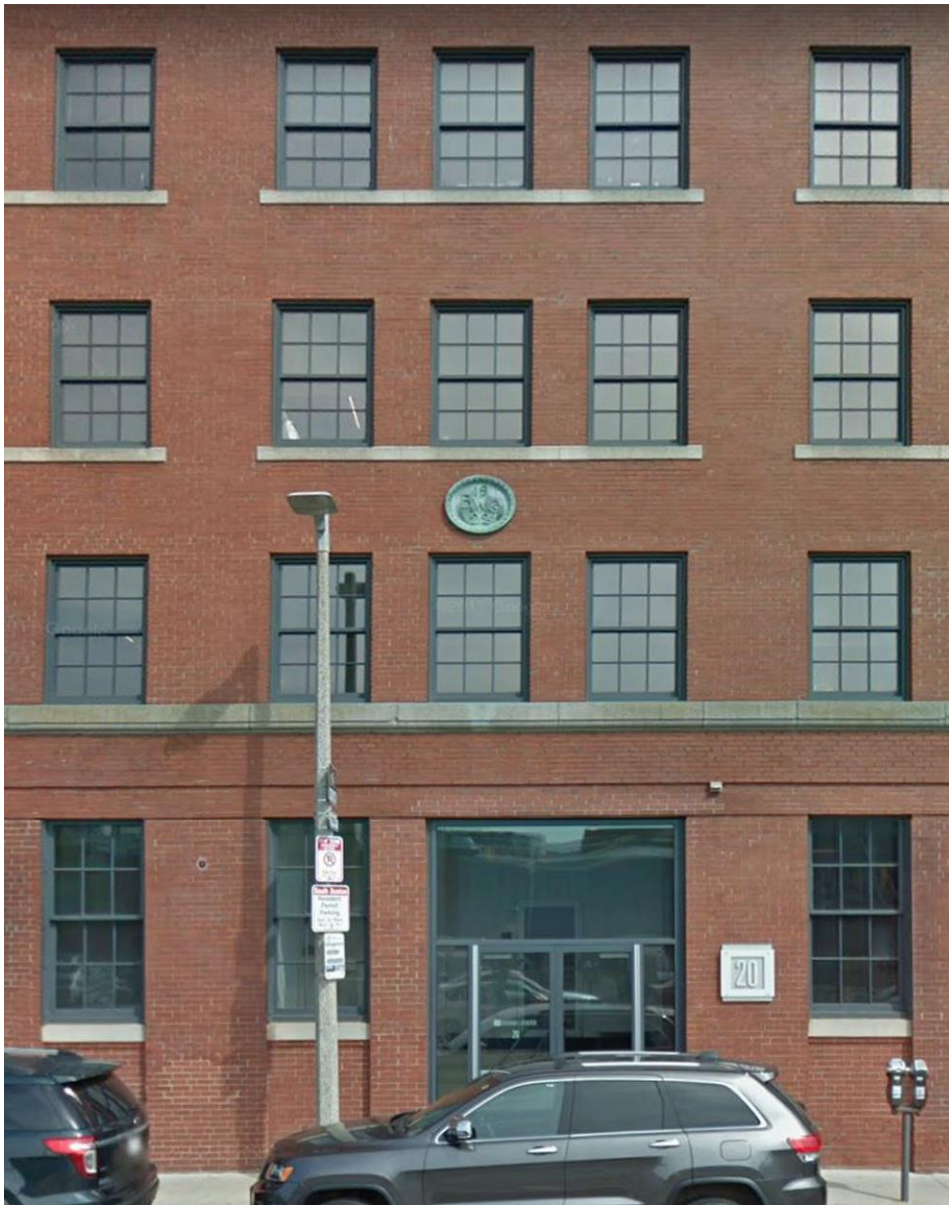


EXISTING CONDITIONS PHOTO
CURRENT VIEW FROM NEIGHBORING BUILDING

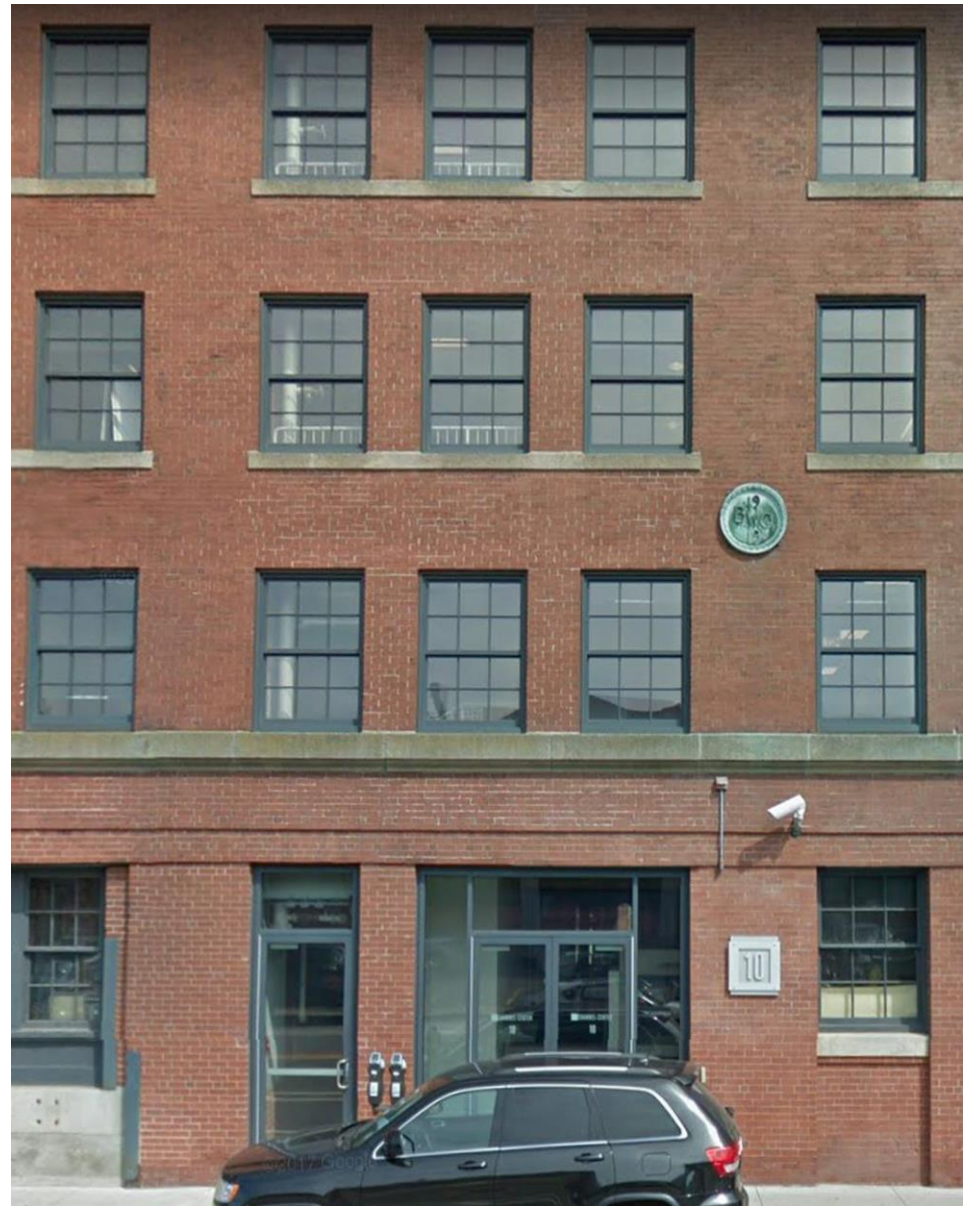


3 ELEVATION - A STREET
SCALE: 1/16" = 1'-0"

EXISTING CONDITION ELEVATION
CURRENT CONDITIONS AT ENTRY LOCATIONS



20 CHANNEL CENTER ENTRY

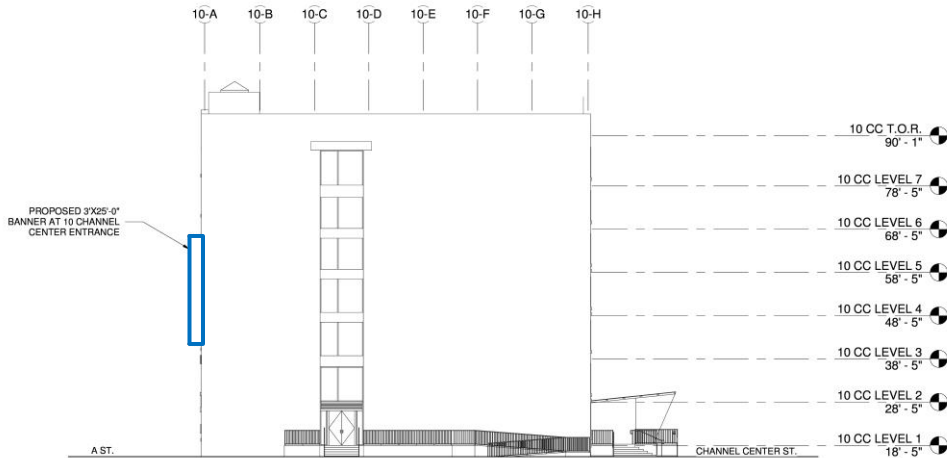


10 CHANNEL CENTER ENTRY

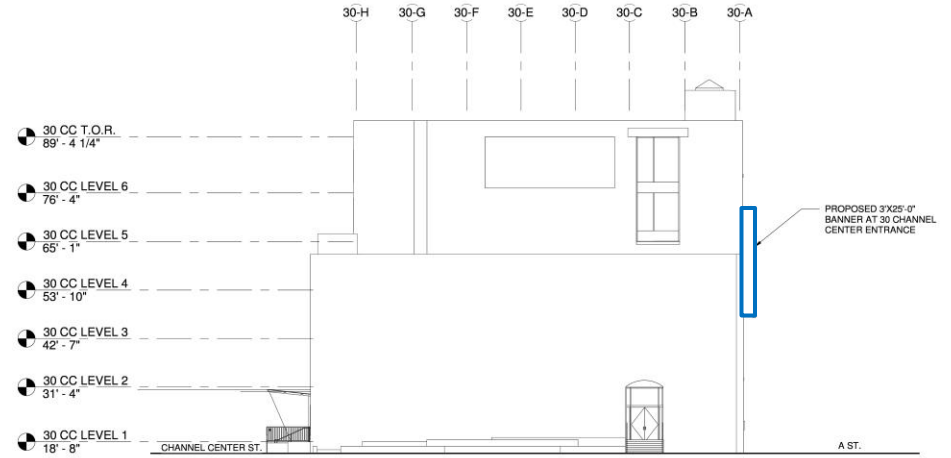
EXISTING CONDITIONS PHOTOS
CURRENT VIEW OF BUILDING ENTRIES



3 ELEVATION - A STREET
SCALE: 1/16" = 1'-0"

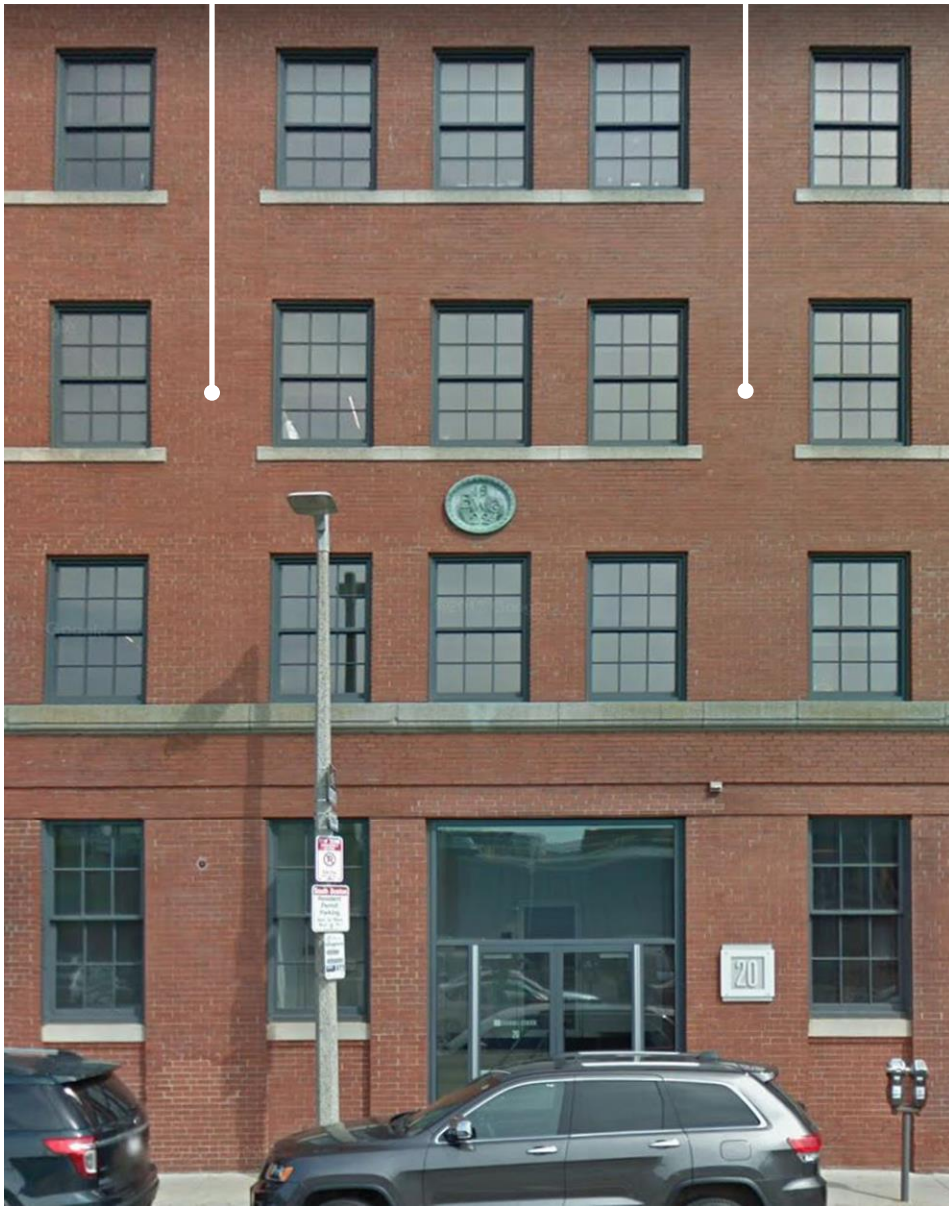


1 ELEVATION - IRON STREET
SCALE: 1/16" = 1'-0"

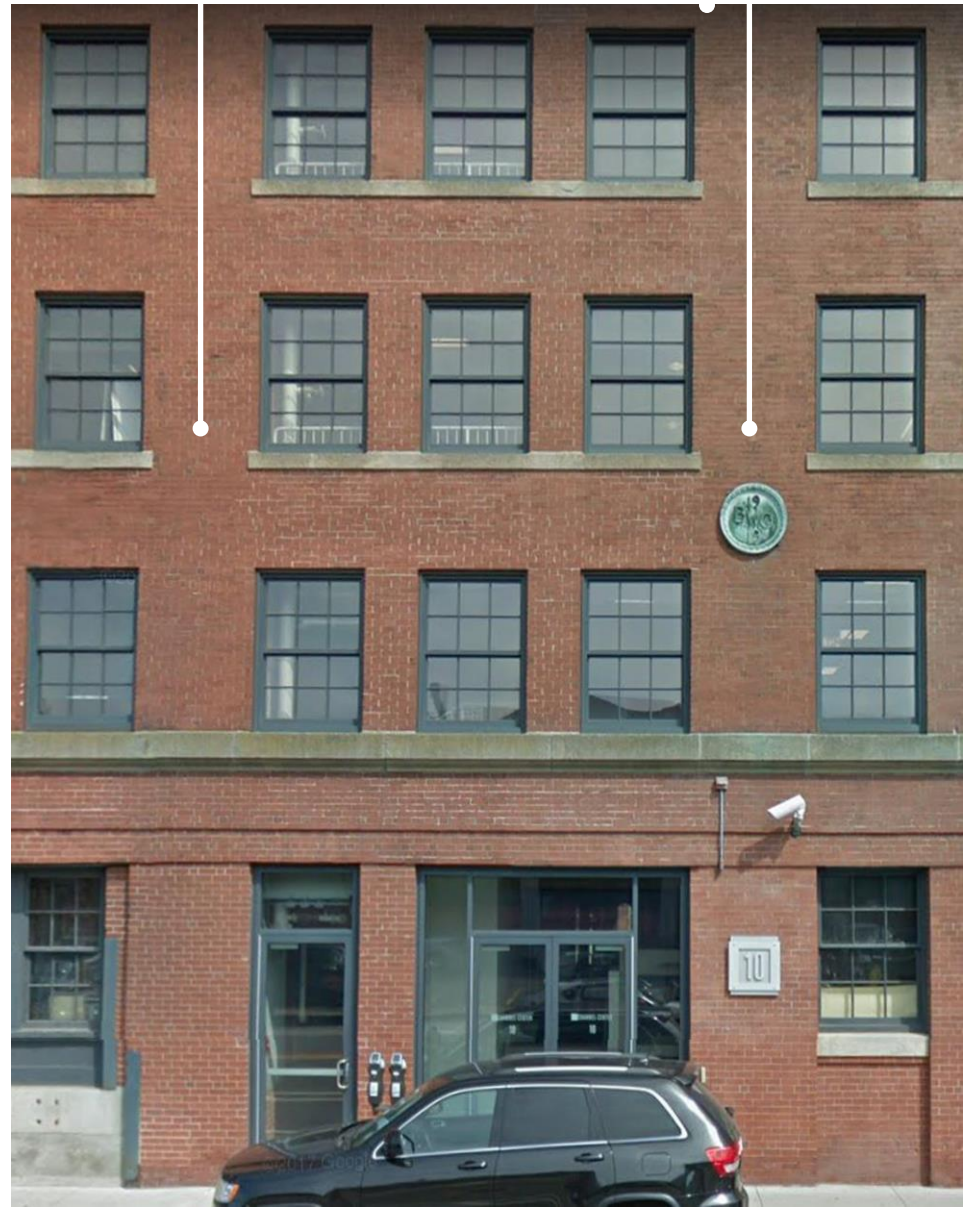


2 ELEVATION - WASHINGTON WAY
SCALE: 1/16" = 1'-0"

PROPOSED SIGNAGE LOCATIONS BUILDING ELEVATIONS WITH BANNER LOCATIONS



20 CHANNEL CENTER ENTRY



10 CHANNEL CENTER ENTRY

PHOTOS OF PROPOSED ENTRY CONDITIONS

RENDERED PHOTOS



PHOTO OF PROPOSED MIDDLE OF THE COMPLEX CONDITIONS
RENDERED PHOTO



A



B



C



ENTRY



MIDDLE

SIGNAGE DESIGN STUDIES
ELEVATIONS OF INITIAL DESIGN OPTIONS

OPTION A FONT:

LETTERS: Avenir Next LT Pro, Demi Condensed

NUMBERS: Franklin Gothic Medium Cond &
Britannic Bold

OPTION B FONT:

LETTERS: U001Con, Regular

NUMBERS: Engravers MT

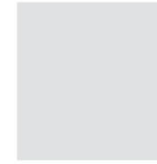
OPTION C FONT:

LETTERS: Acumin Variable Concept, Condensed Bold

NUMBERS: Franklin Gothic Medium Cond &
Copperplate Gothic Bold



PANTONE®
75/48/20/16



PANTONE®
0/0/0/11

BANNER FONTS:

LETTERS: Myriad Pro, Bold, Crisp

NUMBERS: Britannic Bold, Regular, Strong

Myriad Pro, Bold, Crisp:

A B C D E F G H I J K L M N O P Q R S T U V W X Y Z
a b c d e f g h i j k l m n o p q r s t u v w x y z

Britannic Bold, Regular, Strong:

1 2 3 4 5 6 7 8 9 10

SIGNAGE PROPOSED DESIGN

ELEVATIONS OF CURRENT DESIGN



RENDERING OF PROPOSED SIGNAGE LOCATIONS
AERIAL VIEW LOOKING TOWARDS BUILDING OVER A STREET



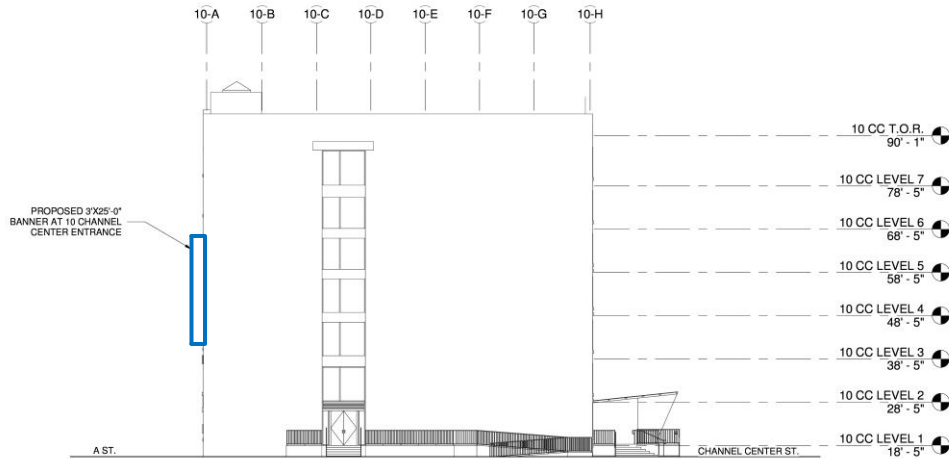
RENDERING OF PROPOSED SIGNAGE LOCATIONS
STREET VIEW LOOKING TOWARDS BUILDING AT CORNER OF A STREET



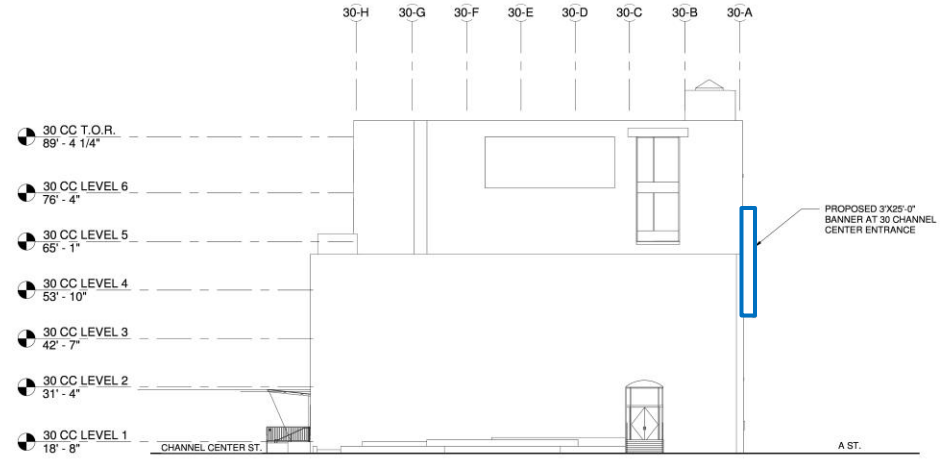
RENDERING OF PROPOSED SIGNAGE LOCATIONS
STREET VIEW LOOKING TOWARDS BUILDING AT CORNER OF A STREET



3 ELEVATION - A STREET
SCALE: 1/16" = 1'-0"



1 ELEVATION - IRON STREET
SCALE: 1/16" = 1'-0"



2 ELEVATION - WASHINGTON WAY
SCALE: 1/16" = 1'-0"

PROPOSED SIGNAGE LOCATIONS @ ENTRIES ONLY

BUILDING ELEVATIONS WITH BANNER LOCATIONS



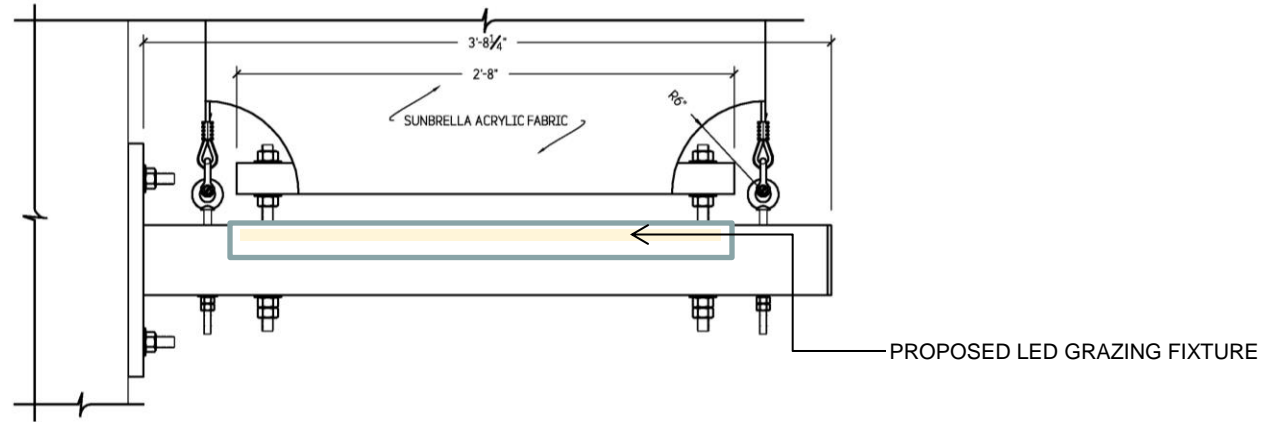
RENDERING OF PROPOSED SIGNAGE LOCATIONS @ ENTRIES ONLY
AERIAL VIEW LOOKING TOWARDS BUILDING OVER A STREET



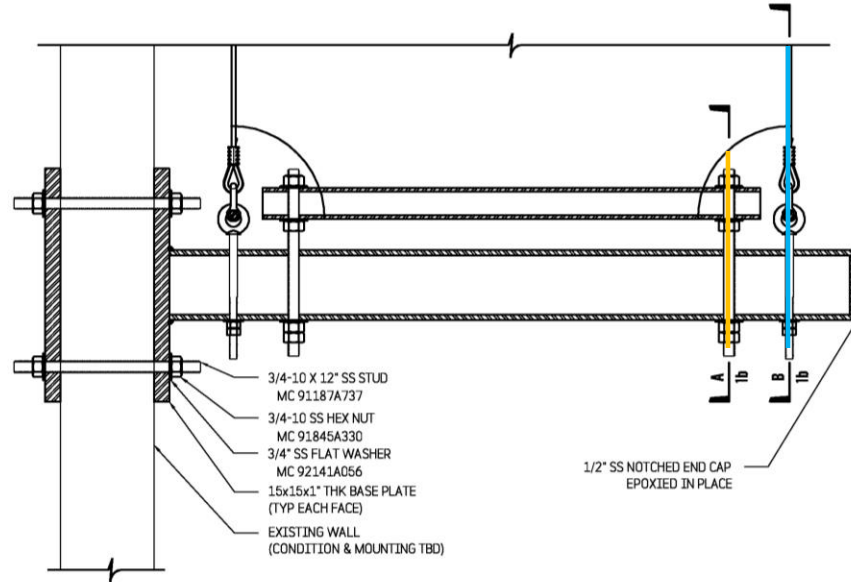
RENDERING OF PROPOSED SIGNAGE LOCATIONS @ ENTRIES ONLY
STREET VIEW LOOKING TOWARDS BUILDING AT CORNER OF A STREET



RENDERING OF PROPOSED SIGNAGE LOCATIONS @ ENTRIES ONLY
STREET VIEW LOOKING TOWARDS BUILDING AT CORNER OF A STREET

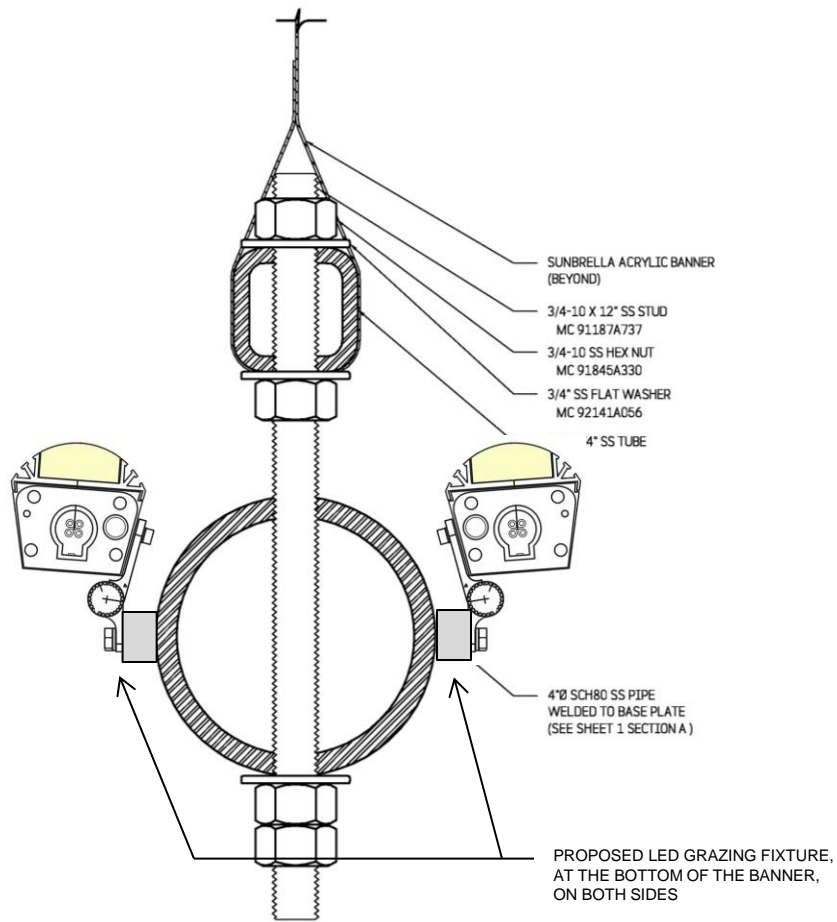


1 BRACKET ELEVATION DETAIL
1 1/2" = 1'-0"

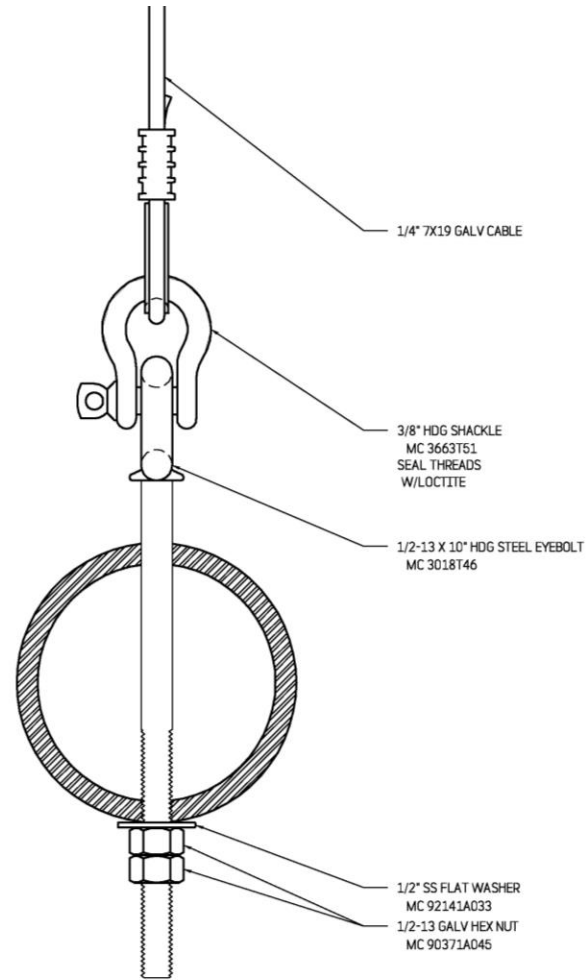


A BRACKET SECTION DETAIL
1 1/2" = 1'-0"

PROPOSED SIGNAGE – BRACKET DETAILS
SECTION DETAIL & ELEVATION FOR SIGNAGE BRACKET

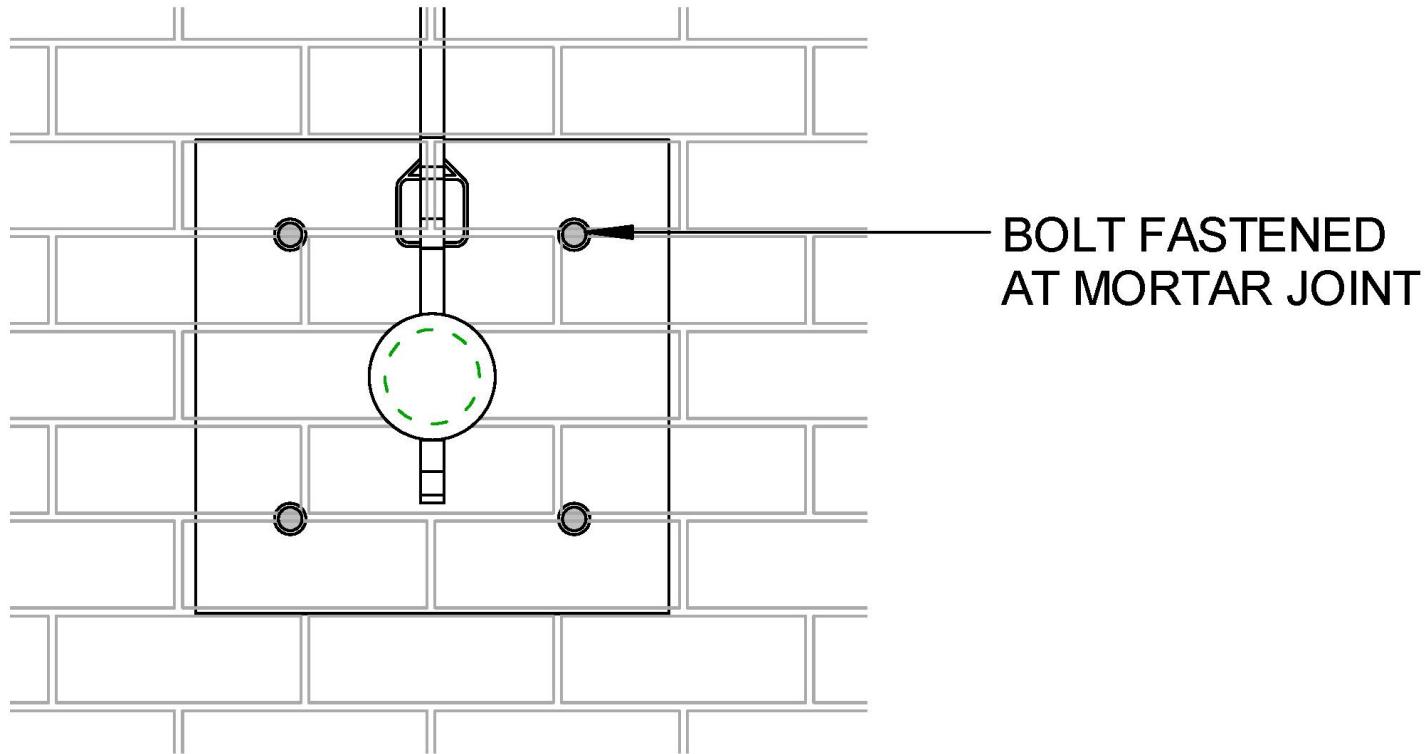


A SECTION THRU HORIZONTAL TENSIONER
Half Size



B SECTION THRU VERTICAL TENSIONER
Half Size

PROPOSED SIGNAGE – BRACKET DETAILS
SECTION DETAILS FOR SIGNAGE CABLE



PROPOSED SIGNAGE – BRACKET DETAIL
ELEVATION DETAIL FOR SUPPORT PLATE