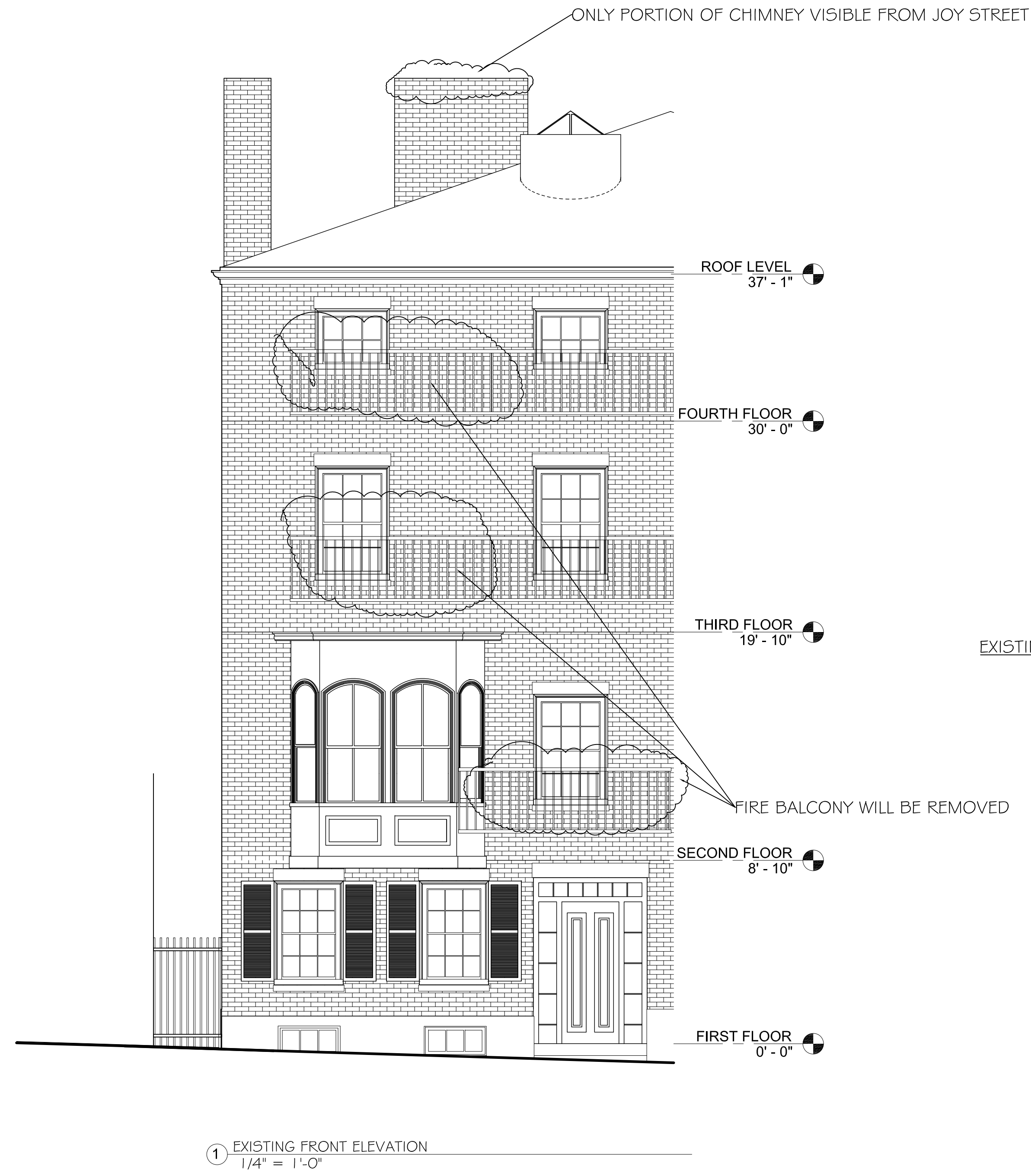




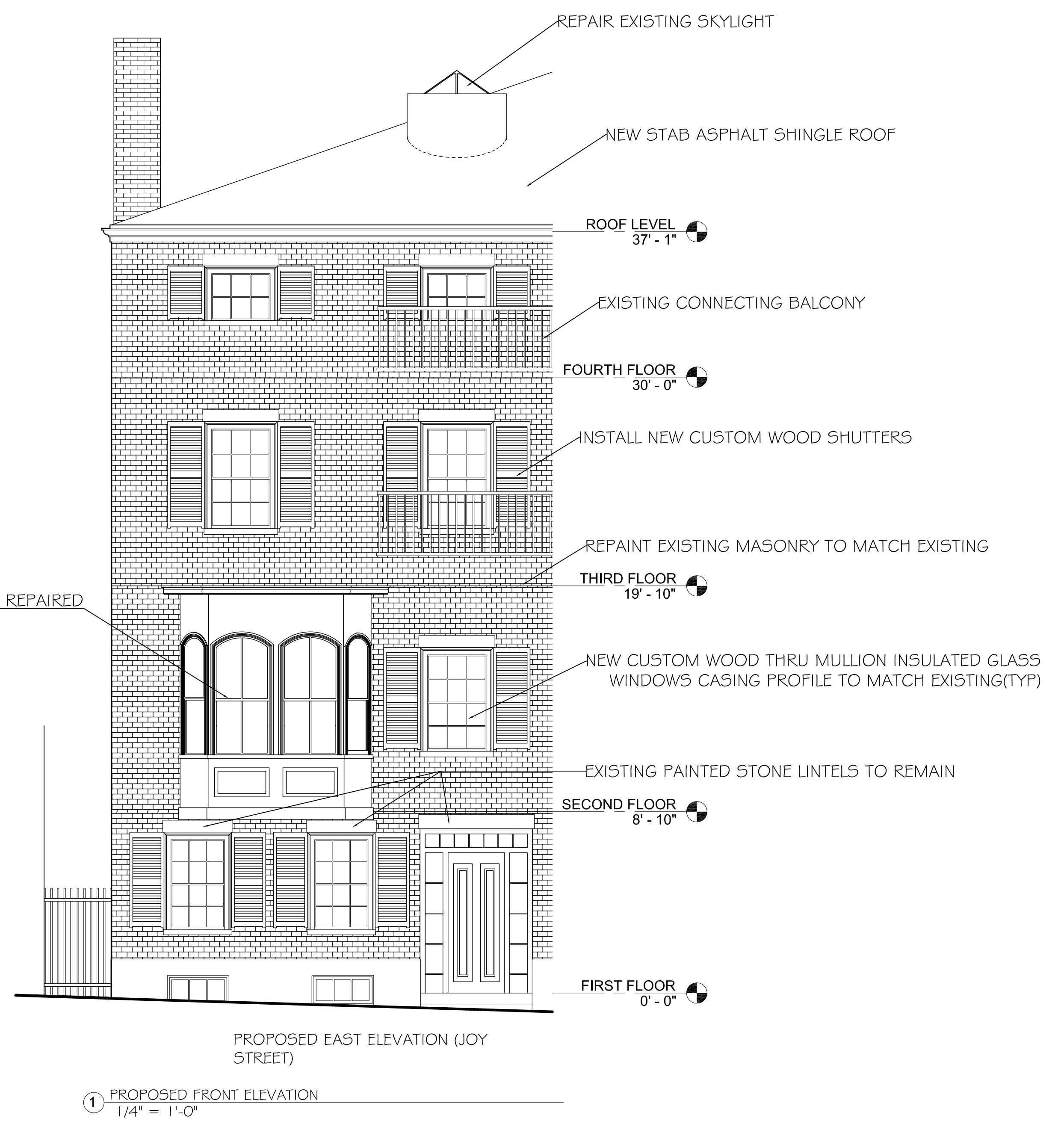
TOW ZONE  
NO STOPPING  
ANY TIME

B





EXISTING BAY AND SASH TO BE REPAIRED



8 Joy St, Boston, Massachusetts

JUDGE	SKELTON	SMITH
	<i>architects</i>	
Boston, MA	www.jssarch.com	617.227.9062









① EXISTING SIDE ELEVATION  
1/4" = 1'-0"

8 Joy St, Boston, Massachusetts

<b>JUDGE</b>	<b>SKELTON</b>	<b>SMITH</b>
	<i>architects</i>	
Boston, MA	www.jssarch.com	617.227.9062



① PROPOSED SIDE ELEVATION  
1/4" = 1'-0"

8 Joy St, Boston, Massachusetts

<b>JUDGE</b>	<b>SKELTON</b>	<b>SMITH</b>
	<i>architects</i>	
Boston, MA	www.jssarch.com	617.227.9062





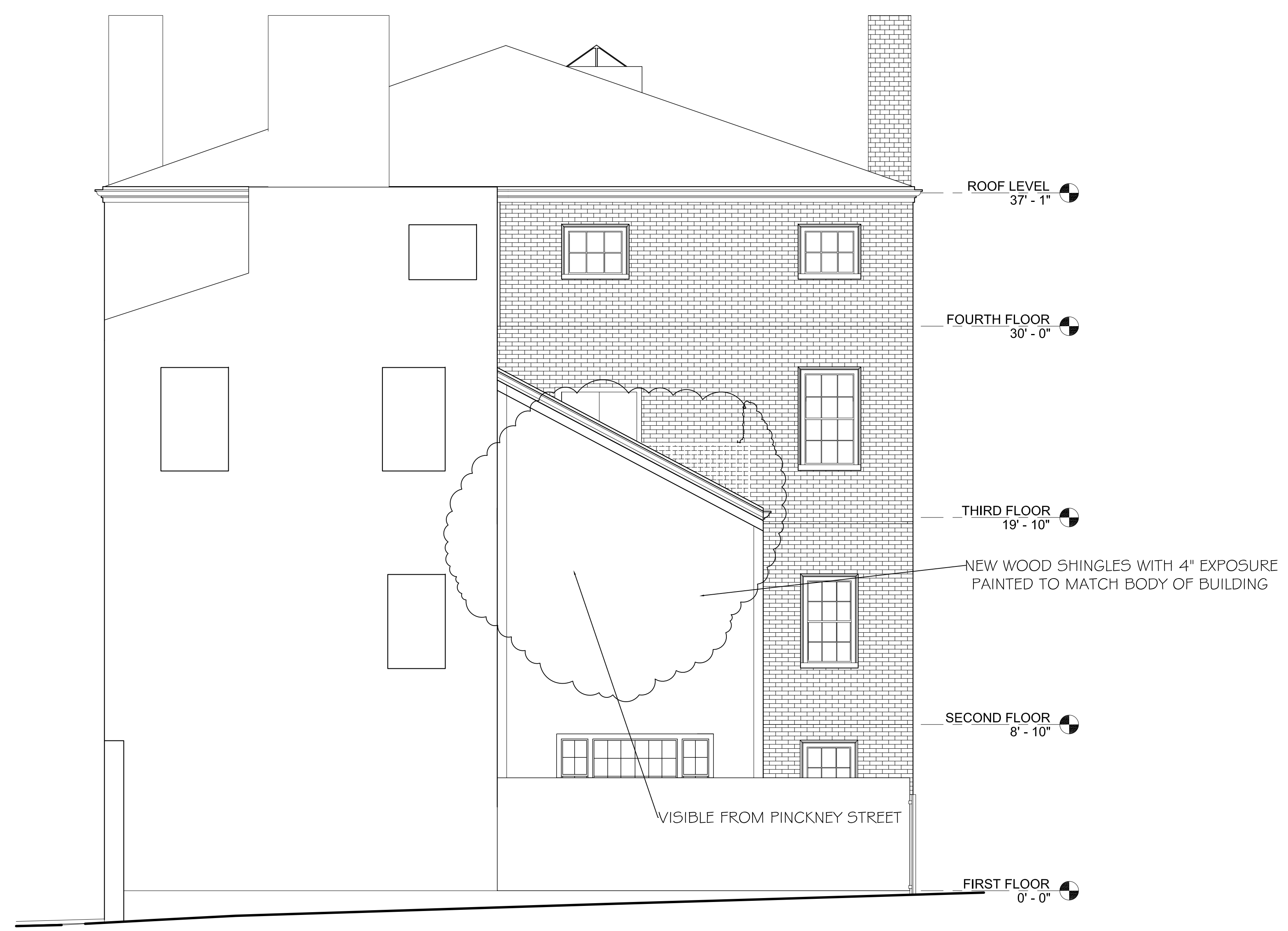




① EXISTING REAR ELEVATION  
1/4" = 1'-0"

8 Joy St, Boston, Massachusetts

<b>JUDGE</b>	<b>SKELTON</b>	<b>SMITH</b>
	<i>architects</i>	
Boston, MA	www.jssarch.com	617.227.9062



1 PROPOSED REAR ELEVATION  
1/4" = 1'-0"

PROPOSED REAR ELEVATION  
(JOY STREET)

8 Joy St, Boston, Massachusetts

<b>JUDGE</b>	<b>SKELTON</b>	<b>SMITH</b>
	<i>architects</i>	
Boston, MA	www.jssarch.com	617.227.9062





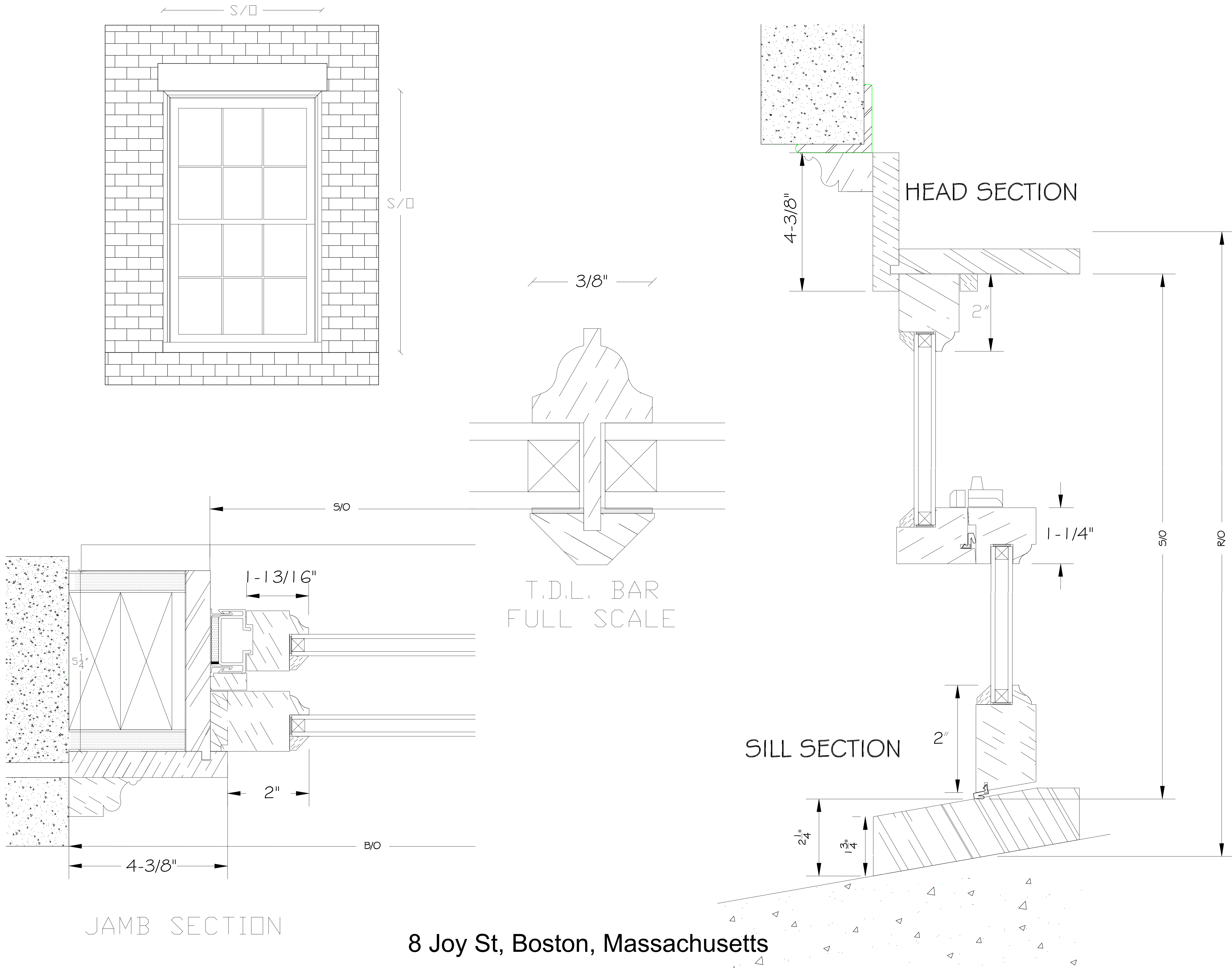
Window 301, Level 3,  
8 Joy Street





Window 301, Level 3,  
8 Joy Street





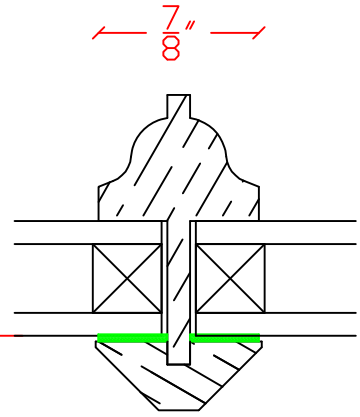
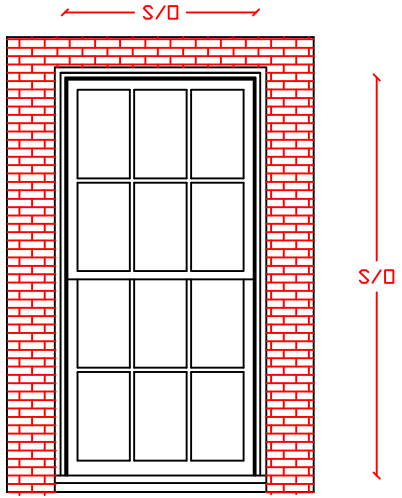
8 Joy St, Boston, Massachusetts

<b>JUDGE</b>	<b>SKELTON</b>	<b>SMITH</b>
	<i>architects</i>	
Boston, MA	www.jssarch.com	617.227.9062

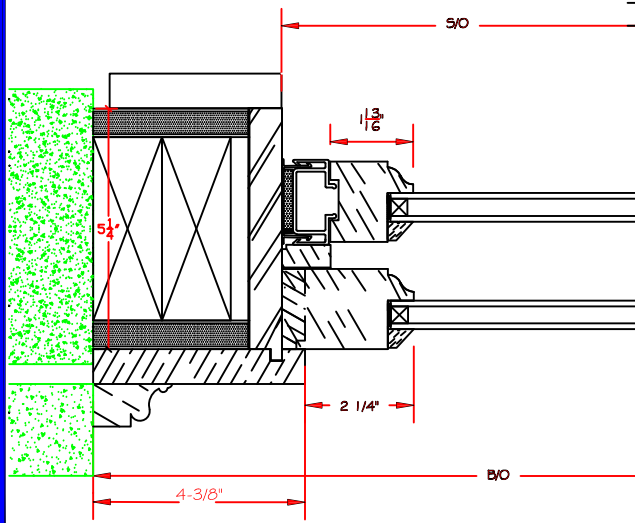
EXISTING WINDOW SASH  
(JOY STREET BOSTON)



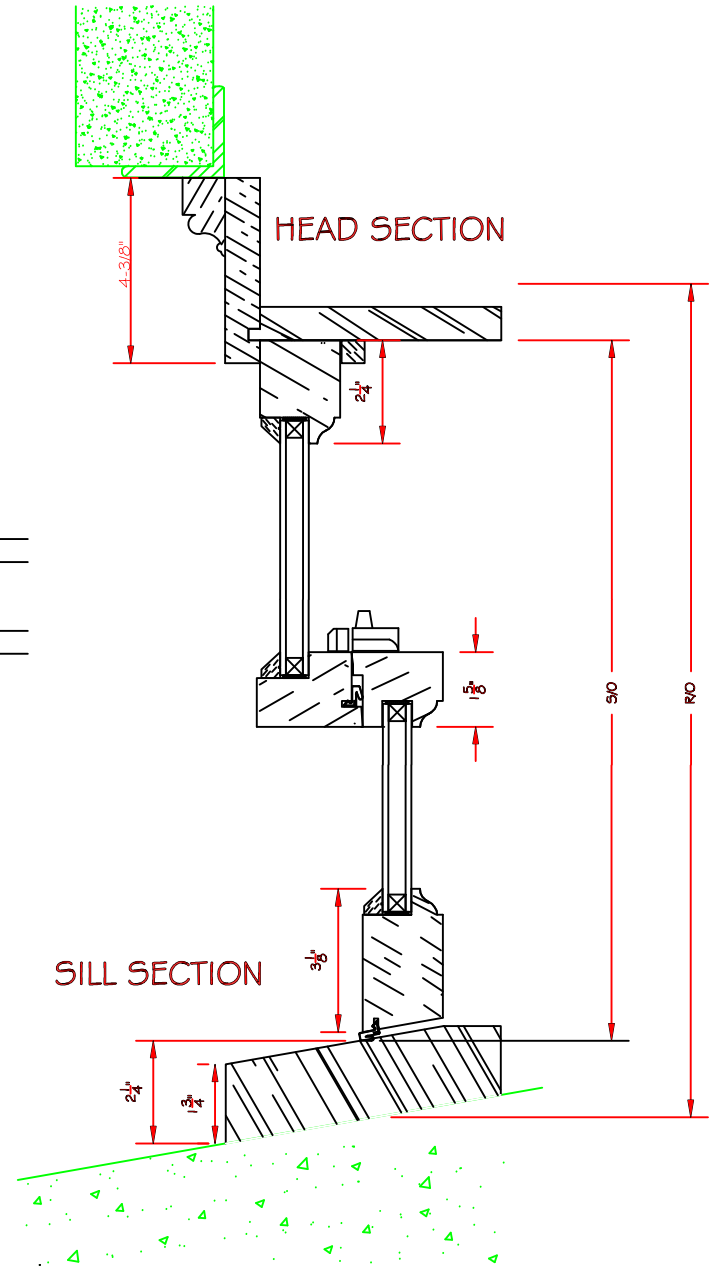
JB PROPER BOSTONIAN SH WINDOW UNIT



T.D.L. BAR  
FULL SCALE



JAMB SECTION

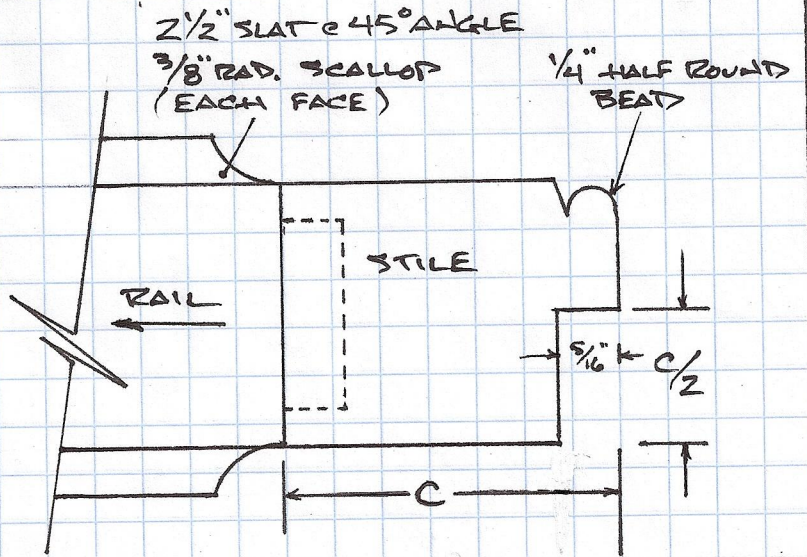
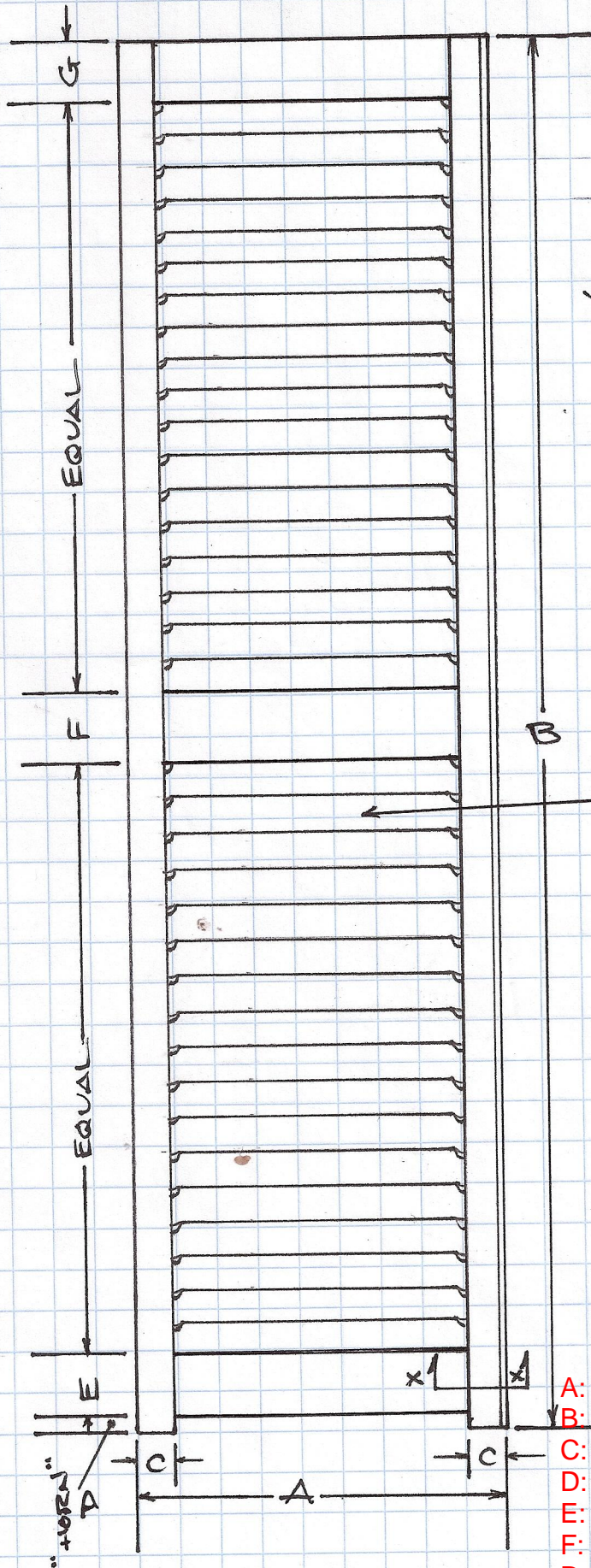


HEAD SECTION

SILL SECTION

SHEET 1	JBPB SH REPL/UNIT - 6/6	DEALER: JB SASH & DOOR CO., INC.	
OF 1		NUMBER: DATE: 02/26/16	
		DRAWN: R.L.B. CHECK:	





**SECTION X-X (AT SCALE)**  
 THROUGH STILE SHOWING BEAD AND RABBIT DETAIL

← 2 1/2" BULLNOSE SLATS SPACED EVENLY TOP AND BOTTOM BAYS  
 +/- 1.625 O.C. TYPICAL SPACING  
 SLATS PROJECT +/- 1/4" BEYOND EACH FACE OF SHUTTER (SEE SECTION X-X)  
 5/16" TENON INTO STILE

**BEECH RIVER MILL**

- CS-304 'BEACON HILL' STYLE SHUTTER
- TRP. RIGHT SIDE OF PAIR

SCALES: 1/8" = 1" ELEVATION  
 DTG : DETAIL

- A: WIDTH: TBD
- B: HEIGHT: TBD
- C: STILES: 1-3/4" - JSD 2012 -
- D: HORNS: 3/4"
- E: BOTTOM RAIL: 3"
- F: MID RAIL 3-3/4"
- D: TOP RAIL: 3"