

BBAC DESIGN REVIEW HEARING | MAY 08, 2019

# 344 BEACON STREET

**HACIN + ASSOCIATES**

500 HARRISON AVE. STUDIO 4F

BOSTON MA 02118

P 617.426.0077

WWW.HACIN.COM @HACINASSOCIATES



# EXTERIOR SCOPE

## 344 Beacon Street - WORK AREAS

### FRONT FACADE

- masonry cleaning
- recoat entry steps & stoop
- replace entry door
- replace security camera & door station
- replace brick walkway

### REAR COURTYARD

- replace stone pavers
- new & replacement light fixtures and door hardware

### GARAGE

- replace garage door & alley door
- replace light fixtures (existing locations)
- replace security camera (existing location)

### LOWER DECK

- replace decking
- new outdoor kitchenette
- new mini-split condenser + screen wall
- replace light fixtures and planters (existing locations)
- remove lattice screen

### PENTHOUSE ROOF DECK

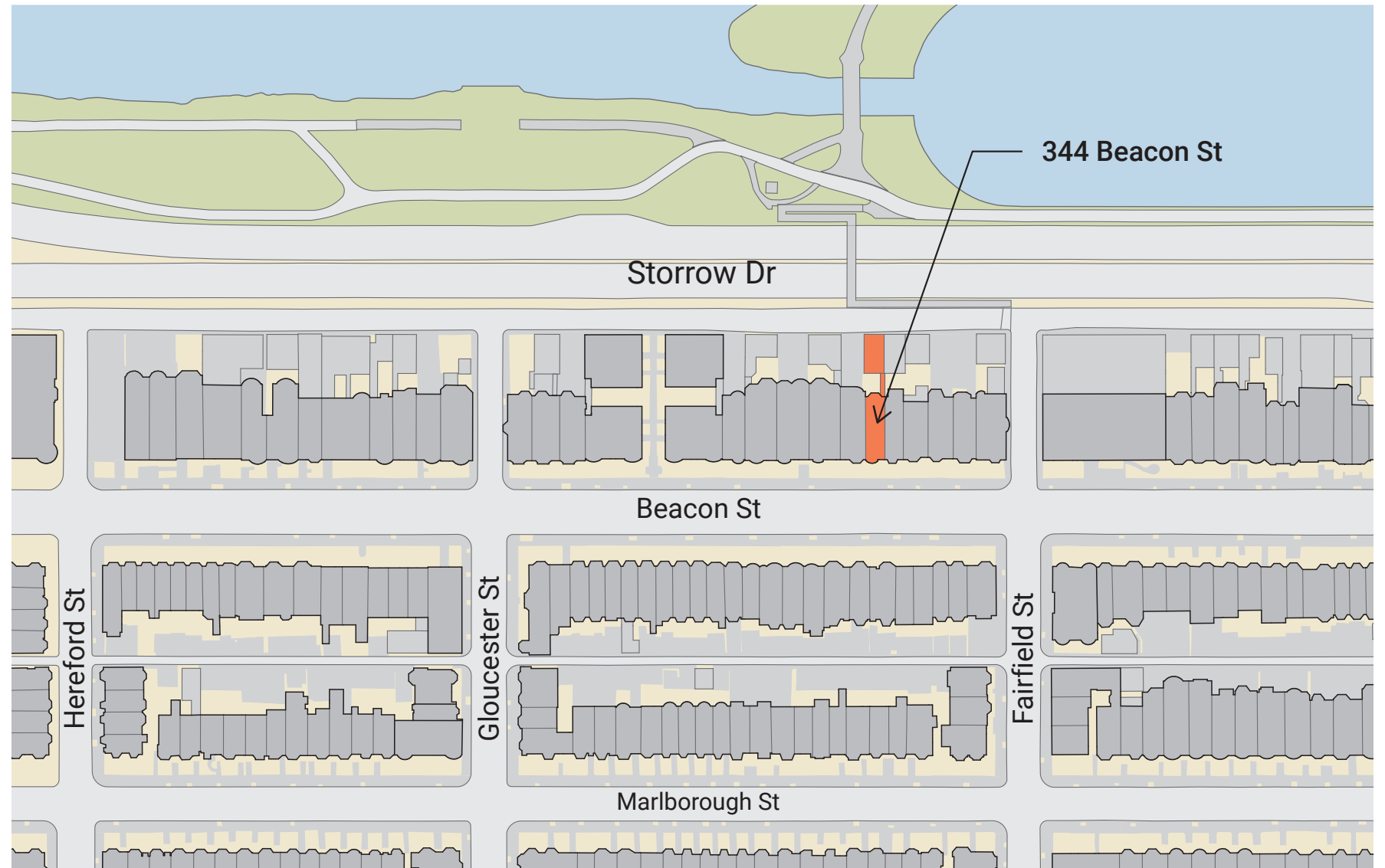
- replace decking & stair treads
- replacement light fixtures (existing locations)

### UPPER ROOF DECK

- replace decking
- replace step lights
- new guardrail around existing skylight
- replace HVAC mechanical equip. and screen wall
- vegetated green roof trays @ roof edge
- replace chimney flue caps



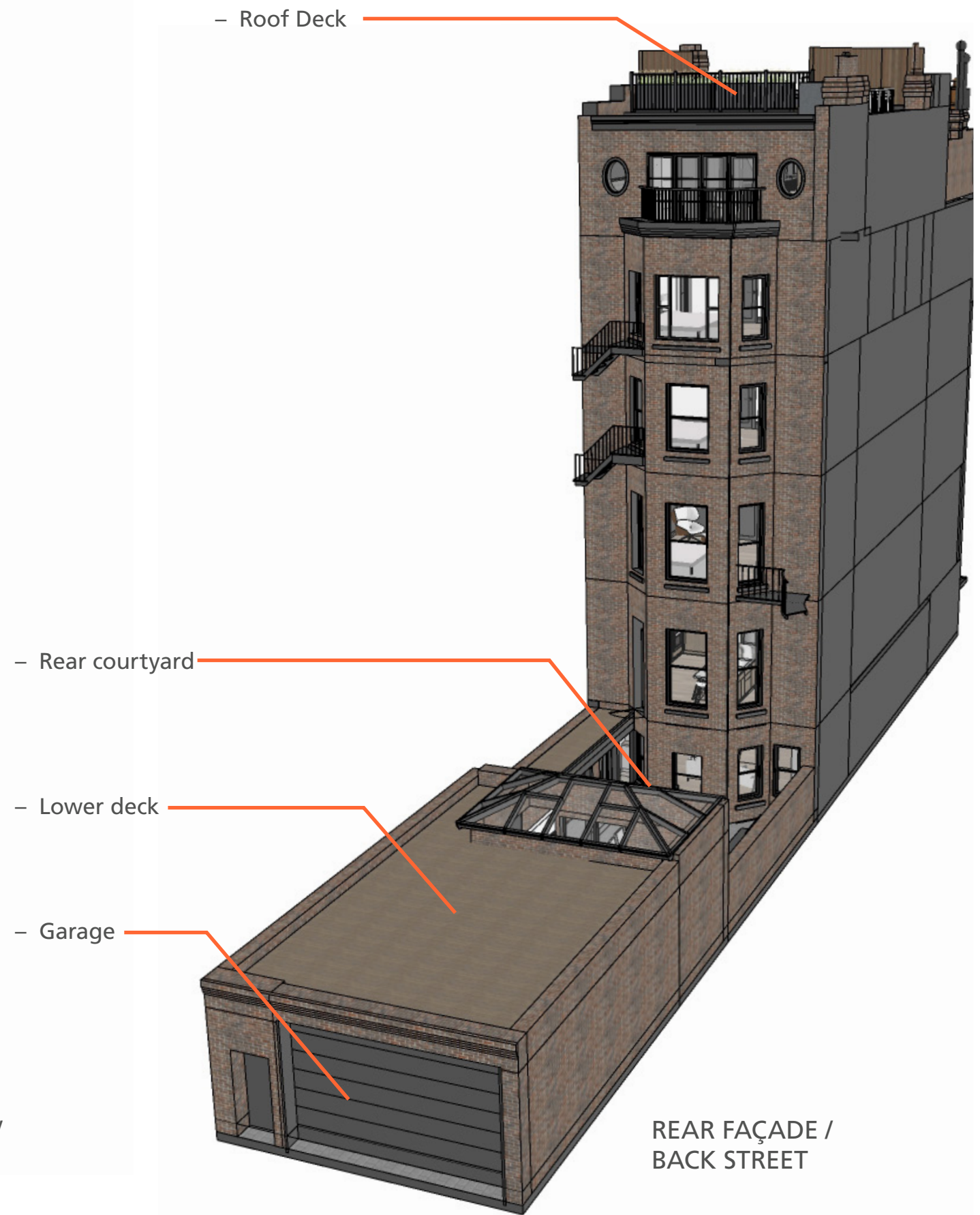
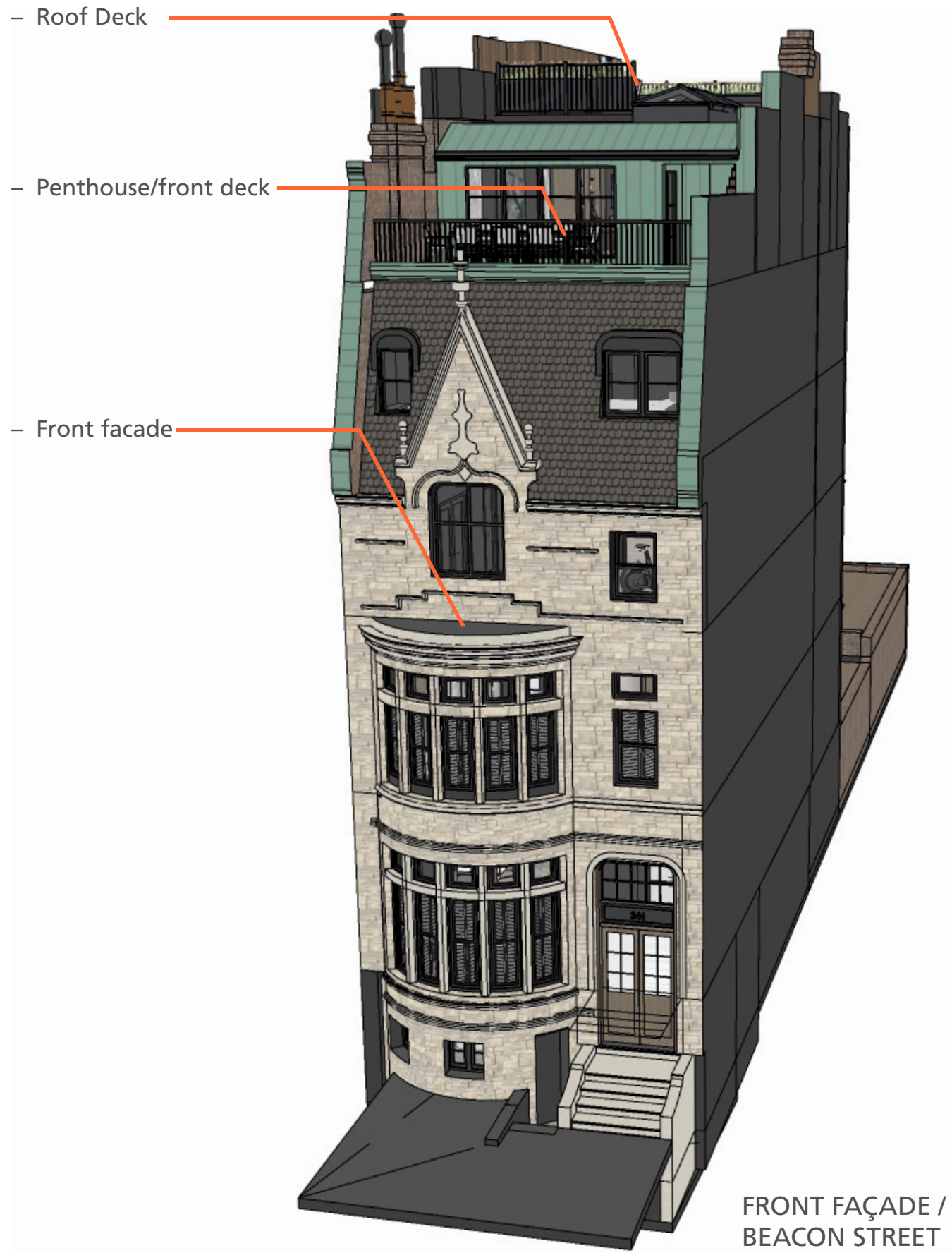
344 BEACON - FRONT FACADE



LOCUS PLAN

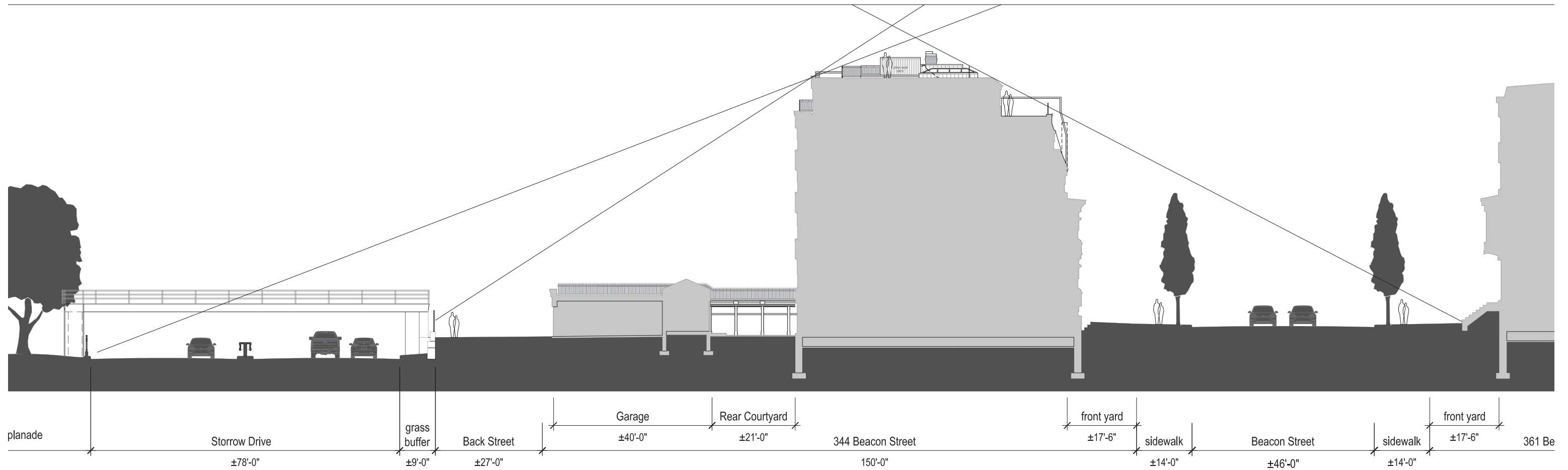
## 344 BEACON ST - LOCUS

344 BEACON STREET | BBAC DESIGN REVIEW HEARING | MAY 08, 2019



**344 BEACON ST - WORK AREAS**

344 BEACON STREET | BBAC DESIGN REVIEW HEARING | MAY 08, 2019



**PROJECT SITE SECTION - SIGHT LINES**

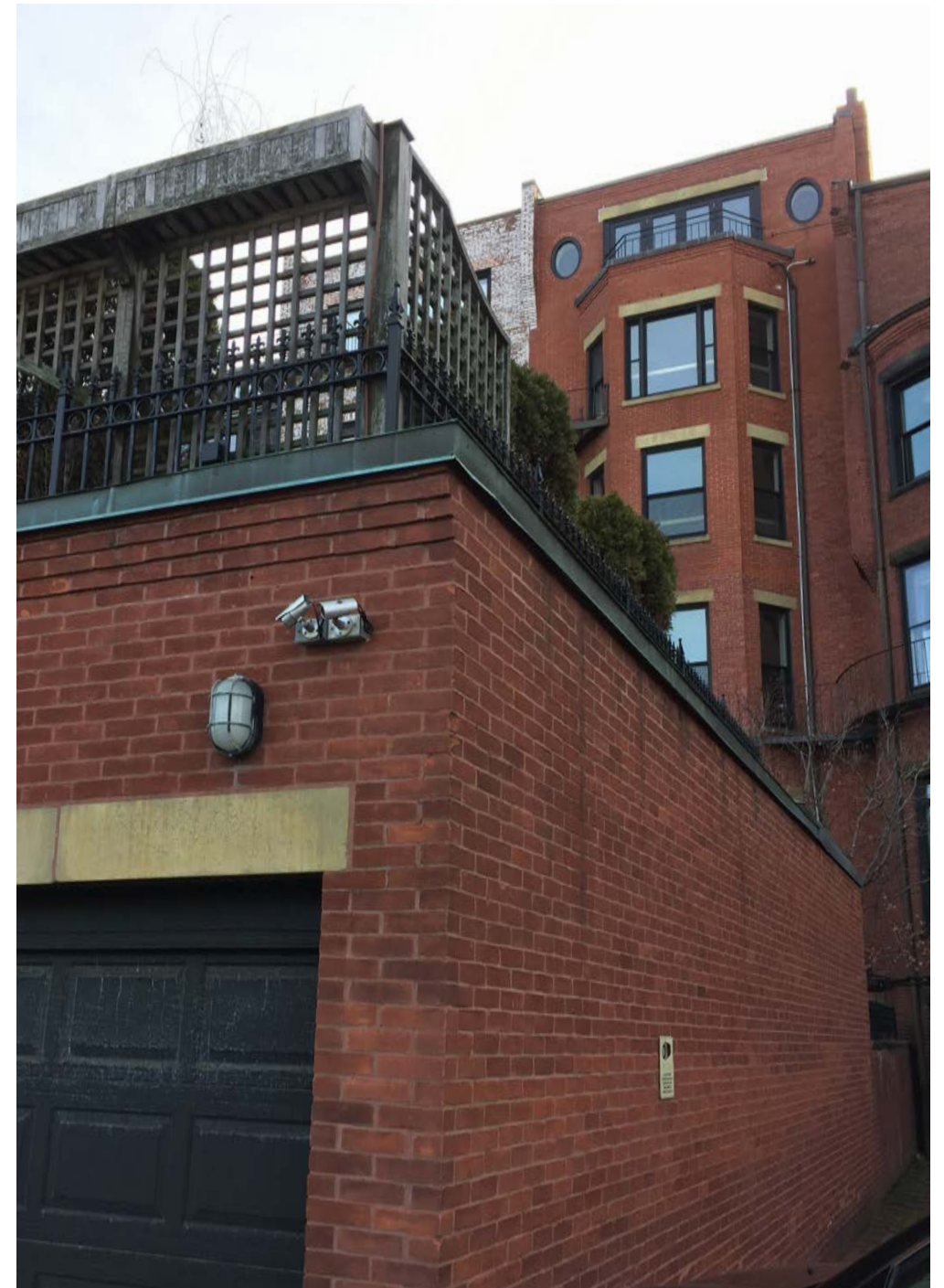
344 BEACON STREET | BBAC DESIGN REVIEW HEARING | MAY 08, 2019



## ROOF DECK ALTERATIONS - SITE LINES FROM BEACON STREET

344 BEACON STREET | BBAC DESIGN REVIEW HEARING | MAY 08, 2019

© 2019 HACIN ARCHITECTS LLC ALL RIGHTS RESERVED.



**ROOF DECK ALTERATIONS - SITE LINES FROM BACK STREET**

344 BEACON STREET | BBAC DESIGN REVIEW HEARING | MAY 08, 2019

© 2019 HACIN ARCHITECTS LLC ALL RIGHTS RESERVED.



DETAIL VIEW @ RUSTICATED STONE



DETAIL VIEW OF FUNGAL GROWTH & MILDEW



DETAIL VIEW @ EXISTING BROWNSTONE STEPS



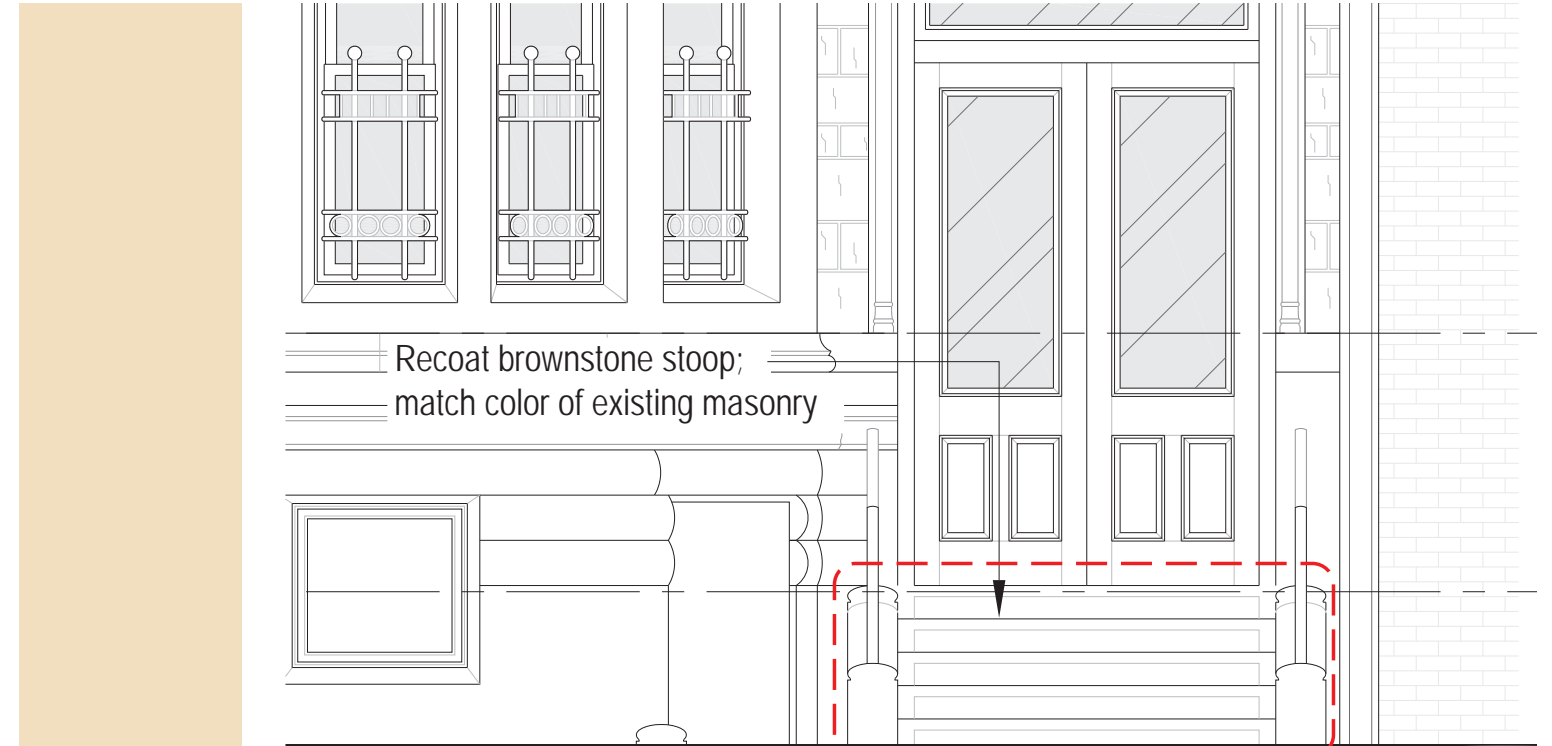
DETAIL VIEW @ EXISTING BROWNSTONE STEPS



BAY NEAR FRONT ENTRY -  
WASH DOWN BROWNSTONE MASONRY WITH LIGHT RESTORATION CLEANER;  
WIRE BRUSHING, SANDBLASTING, AND OTHER ABRASIVE TECHNIQUES ARE PROHIBITED

### CLEAN EXISTING BROWNSTONE MASONRY & RECOAT BROWNSTONE STEPS

344 BEACON STREET | BBAC DESIGN REVIEW HEARING | MAY 08, 2019



RECOAT ENTRY STEPS (MATCH COLOR OF EXISTING BROWNSTONE)

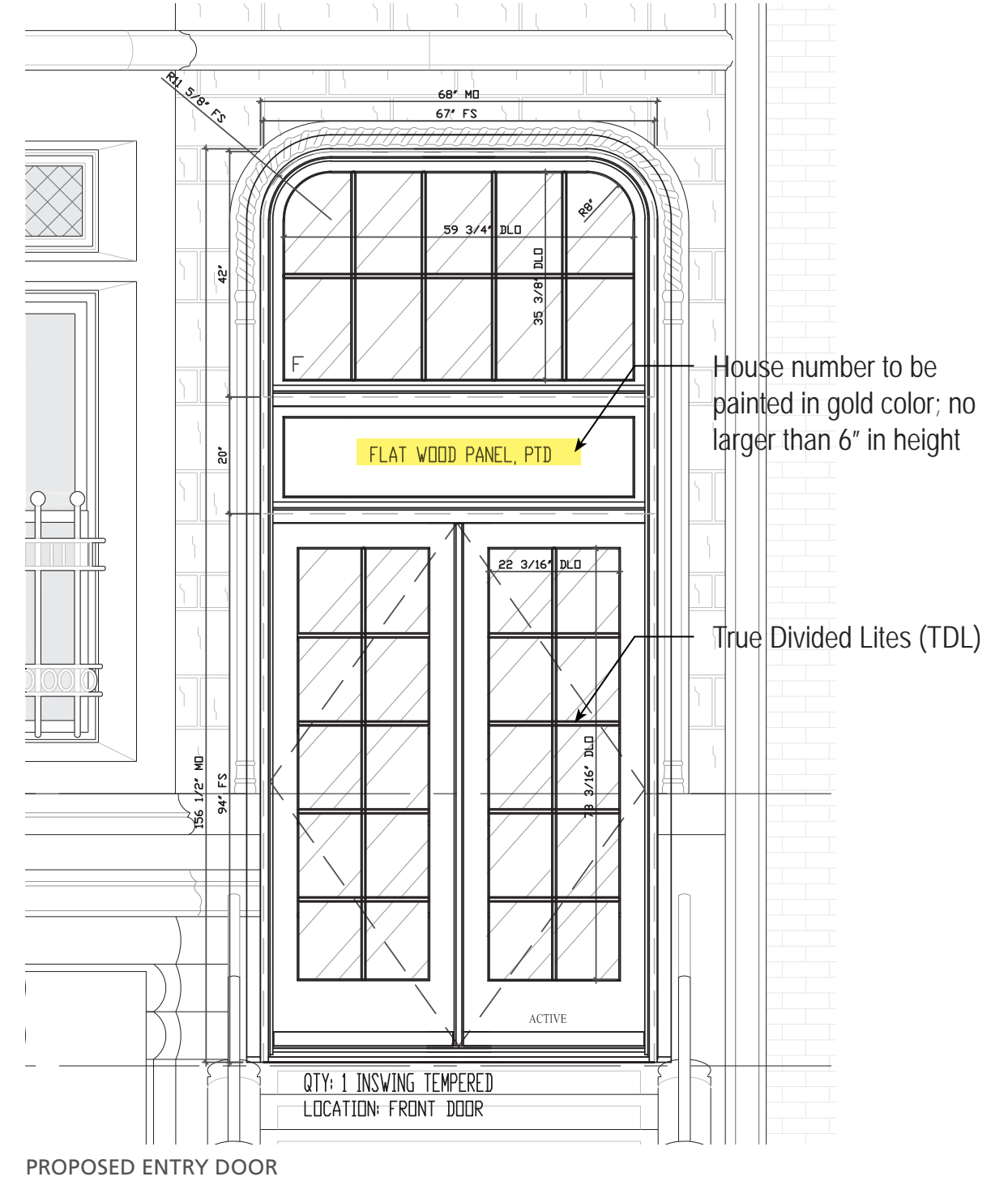




EXISTING ENTRY DOOR



ENTRY CIRCA 1942



PROPOSED ENTRY DOOR

## REPLACE ENTRY DOOR

344 BEACON STREET | BBAC DESIGN REVIEW HEARING | MAY 08, 2019

© 2019 HACIN ARCHITECTS LLC ALL RIGHTS RESERVED.

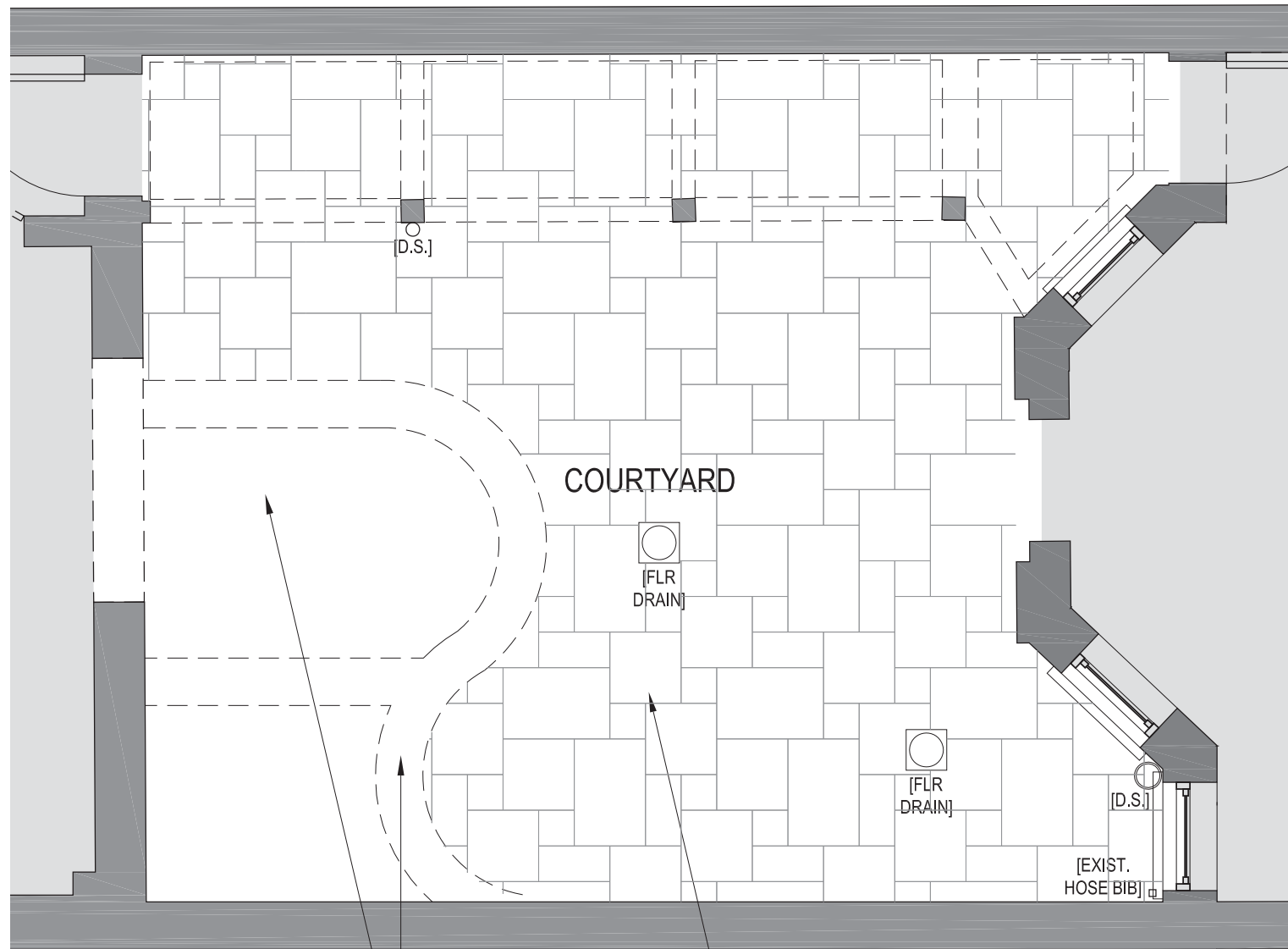


EXISTING BRICK WALKWAY

PROPOSED BRICK WALKWAY [BASKETWEAVE]

**REPLACE BRICK WALKWAY FROM SIDEWALK**

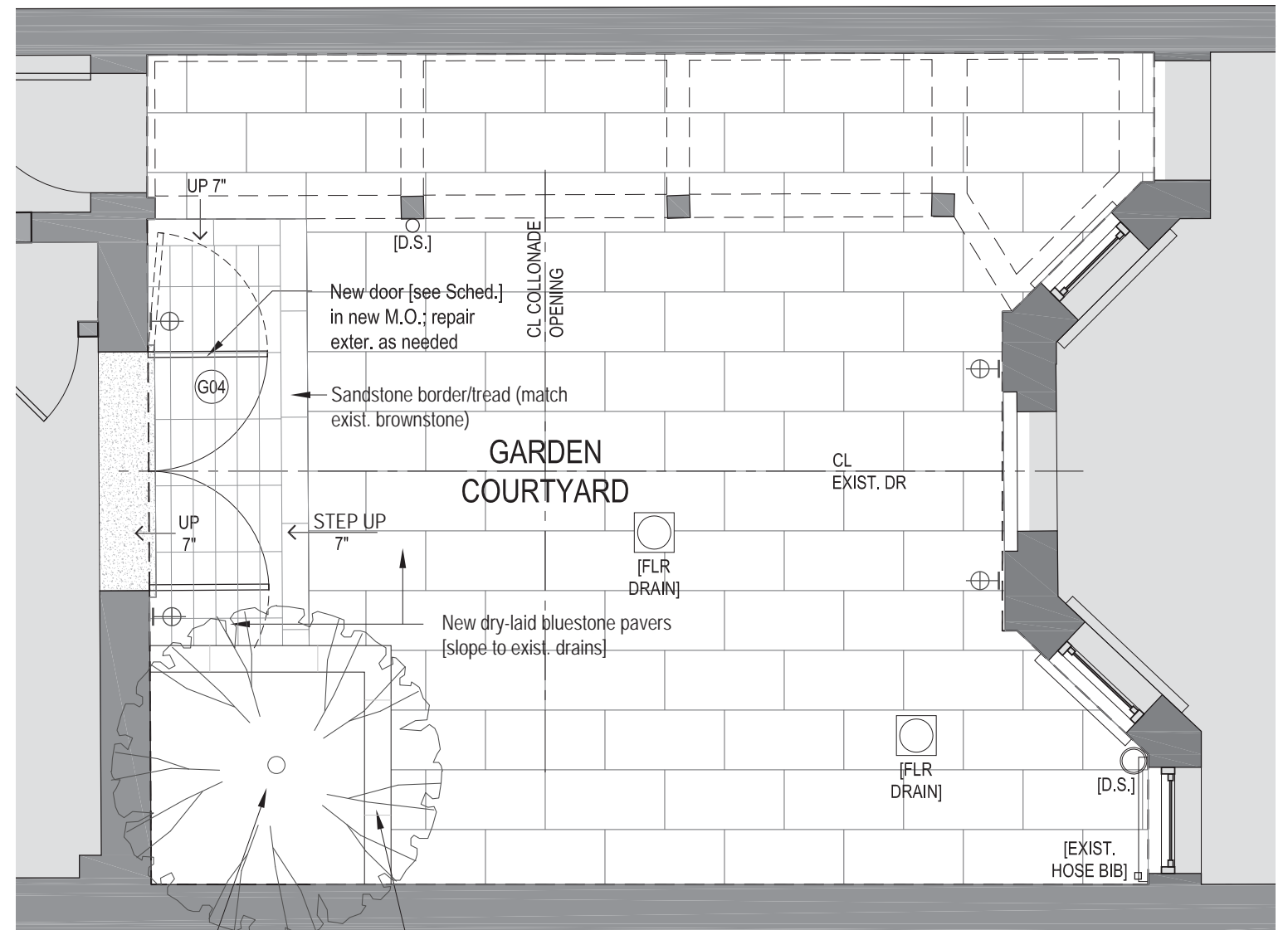
344 BEACON STREET | BBAC DESIGN REVIEW HEARING | MAY 08, 2019



Remove fountain + retaining walls

Remove pavers

REAR COURTYARD - EXISTING PAVERS



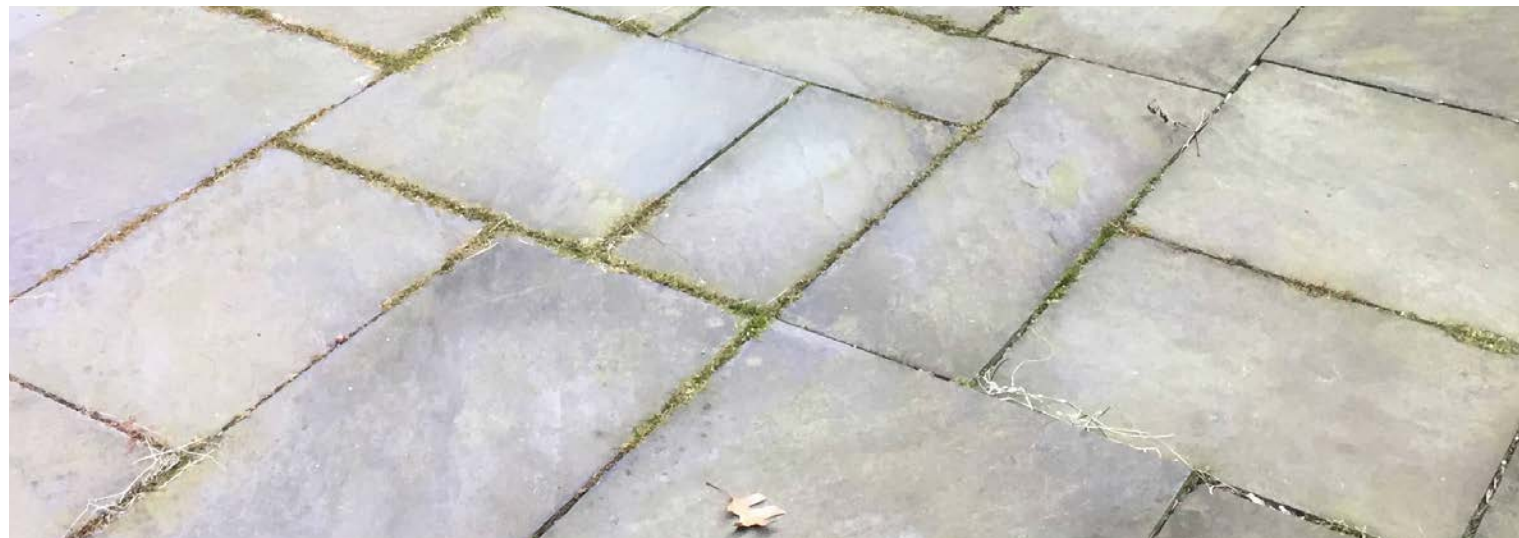
Preserve exist. japanese maple tree

Rebuild raised planter (brick face + sandstone coping to match exist. brownstone)

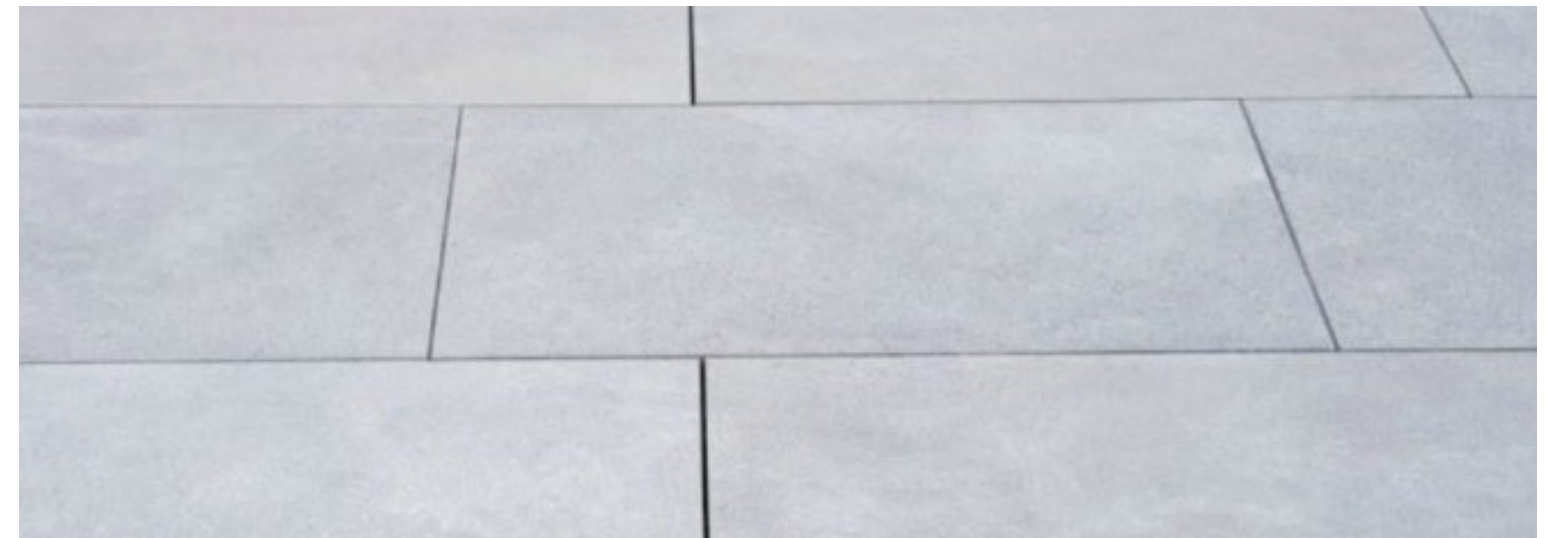
REAR COURTYARD - PROPOSED NEW BLUESTONE PAVERS

# REPLACE COURTYARD PAVERS

344 BEACON STREET | BBAC DESIGN REVIEW HEARING | MAY 08, 2019



EXISTING COURTYARD PAVERS



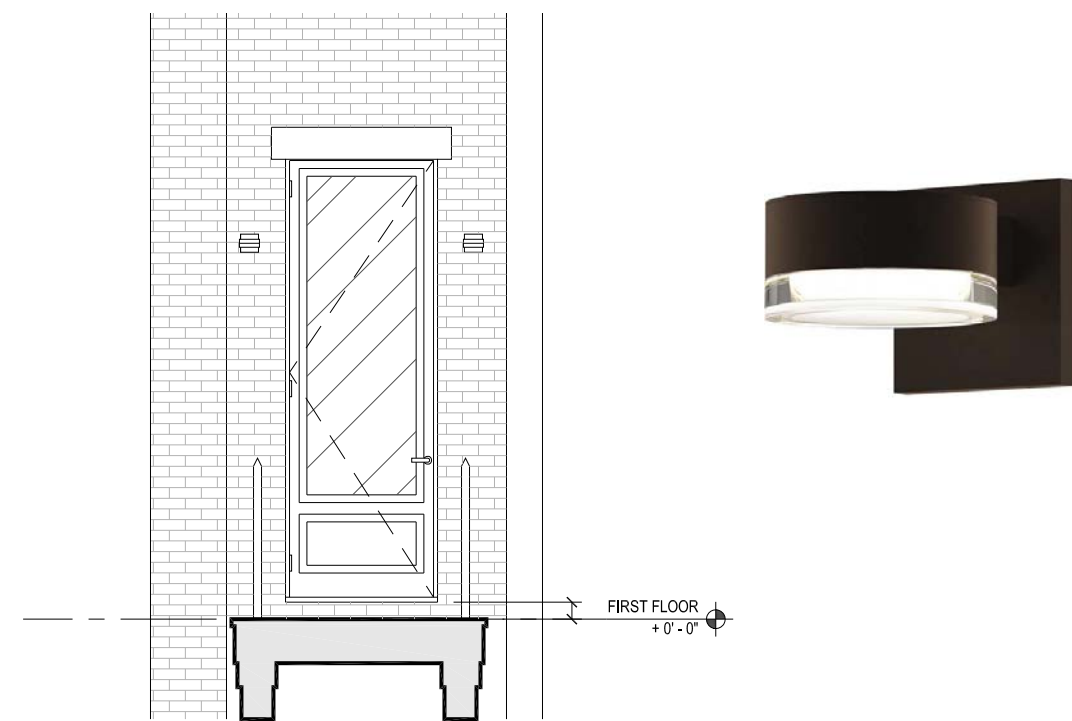
PROPOSED COURTYARD PAVERS [BLUESTONE]

## REPLACE COURTYARD PAVERS

344 BEACON STREET | BBAC DESIGN REVIEW HEARING | MAY 08, 2019

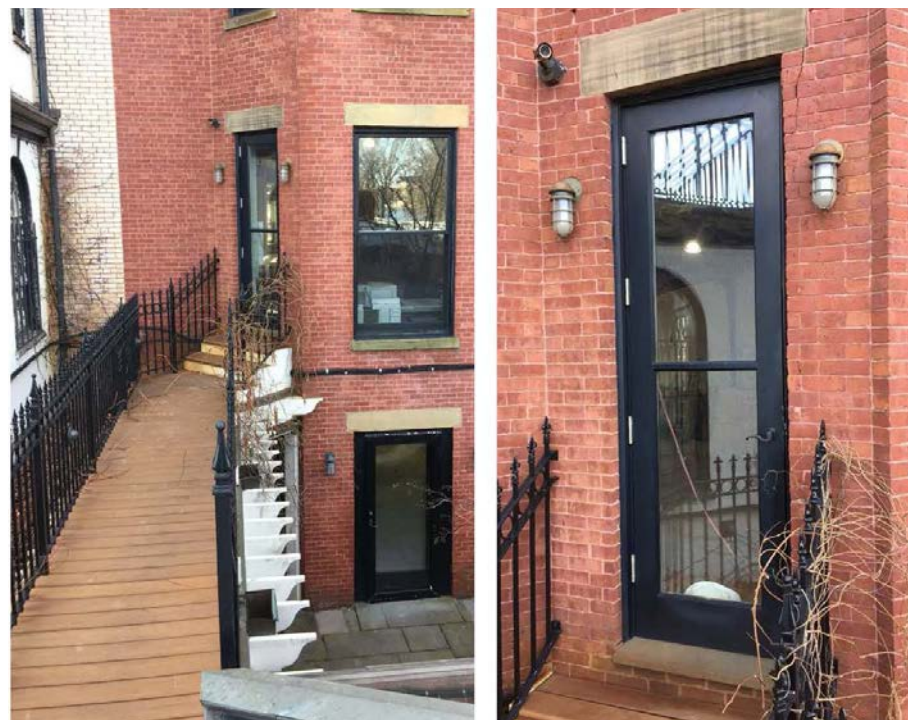
© 2019 HACIN ARCHITECTS LLC ALL RIGHTS RESERVED.

**PROPOSED REAR DECK LIGHTING**



WALL SCONCES [QTY: 2]

**EXISTING REAR DECK LIGHTING**



WALL SCONCES [QTY: 2]

**PROPOSED COURTYARD LIGHTING**



FAMILY ROOM ENTRY DOOR [REPLACE EXISTING]



SCONCES AT FAMILY ROOM ENTRY



COURTYARD SURFACE MOUNT



SPA ENTRY DOOR [NEW], SURFACE MOUNT [REPLACE EXISTING]



SCONCES AT SPA ENTRY

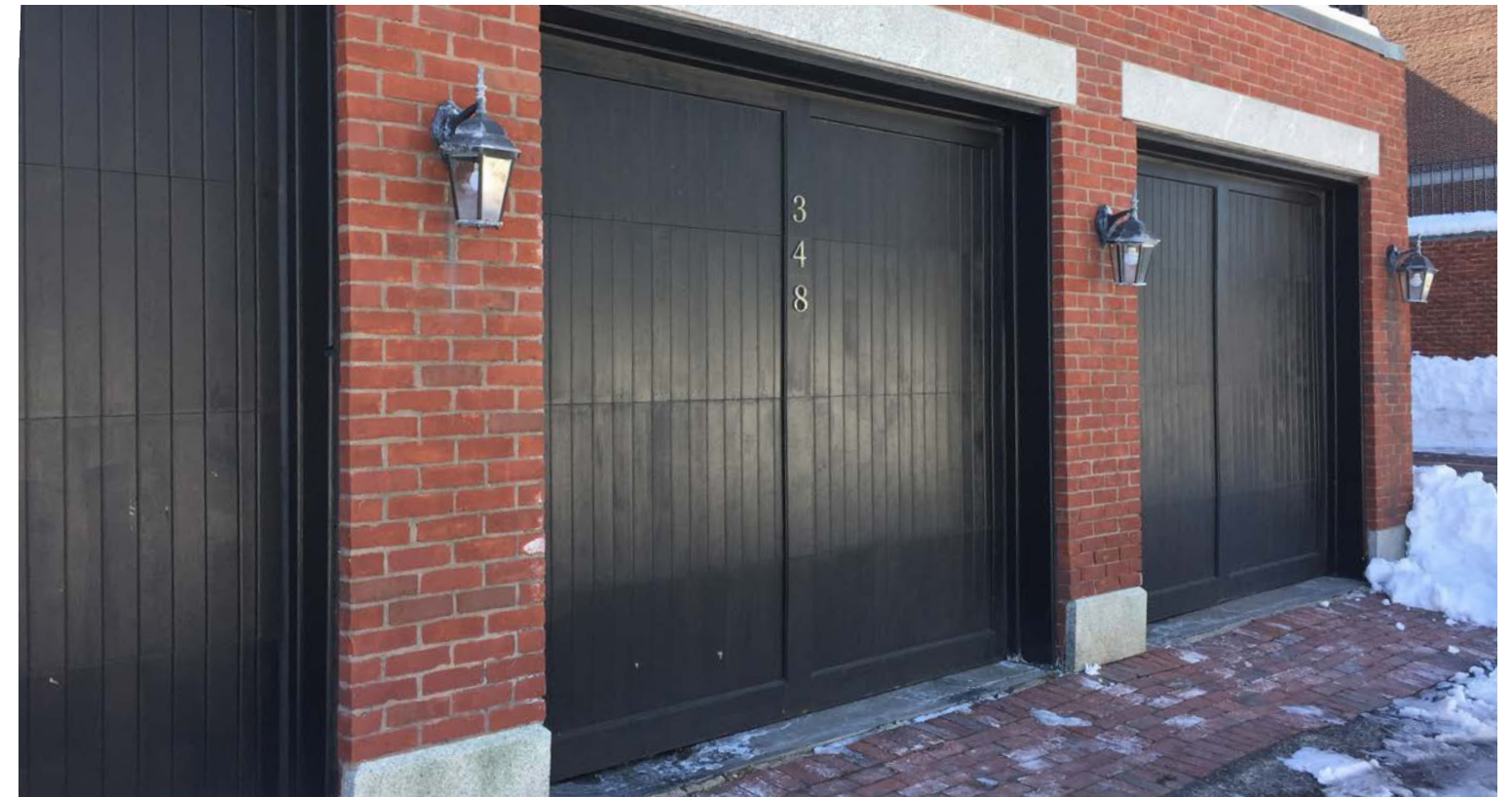


EXISTING GARAGE DOOR

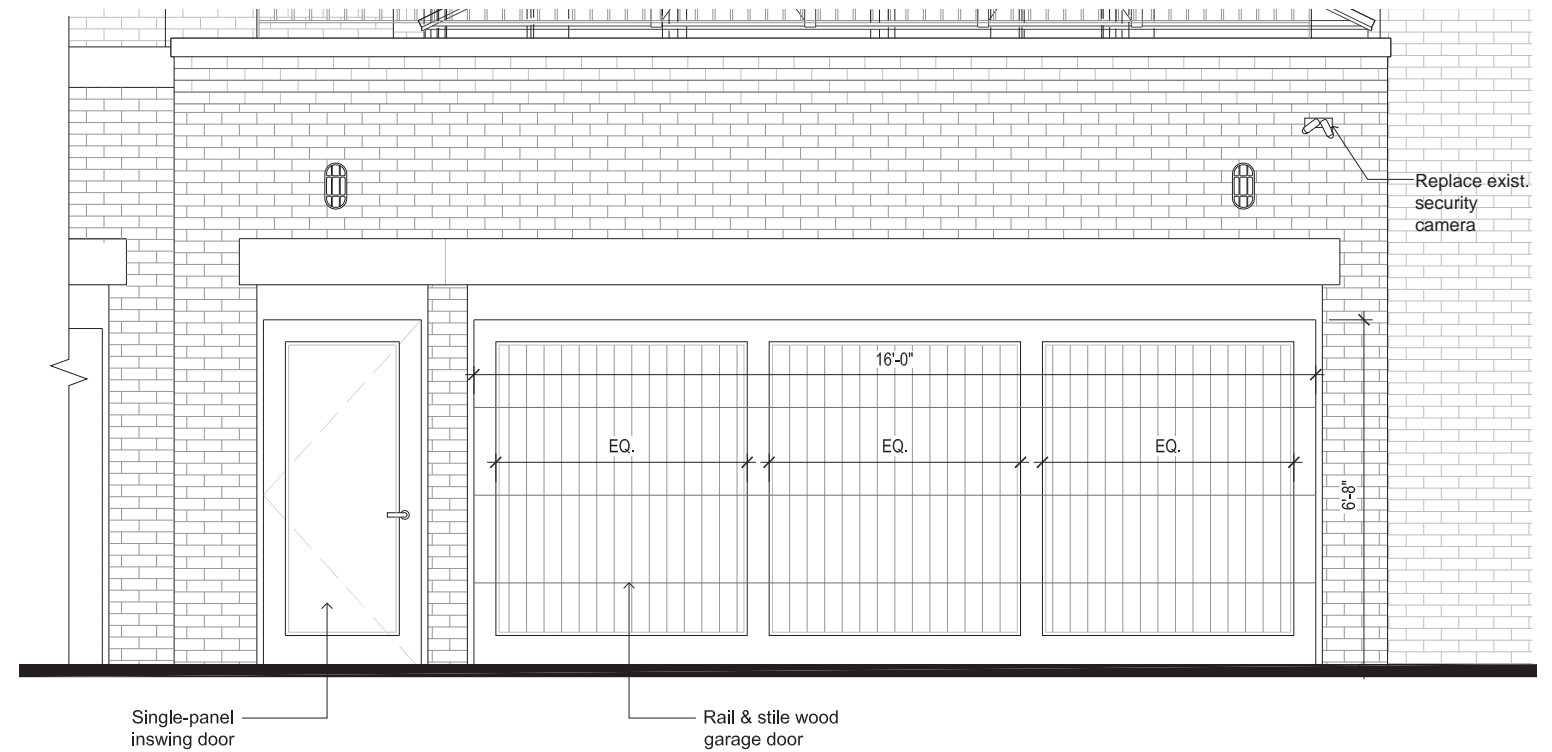
## REPLACE GARAGE DOOR & ALLEY DOOR

344 BEACON STREET | BBAC DESIGN REVIEW HEARING | MAY 08, 2019

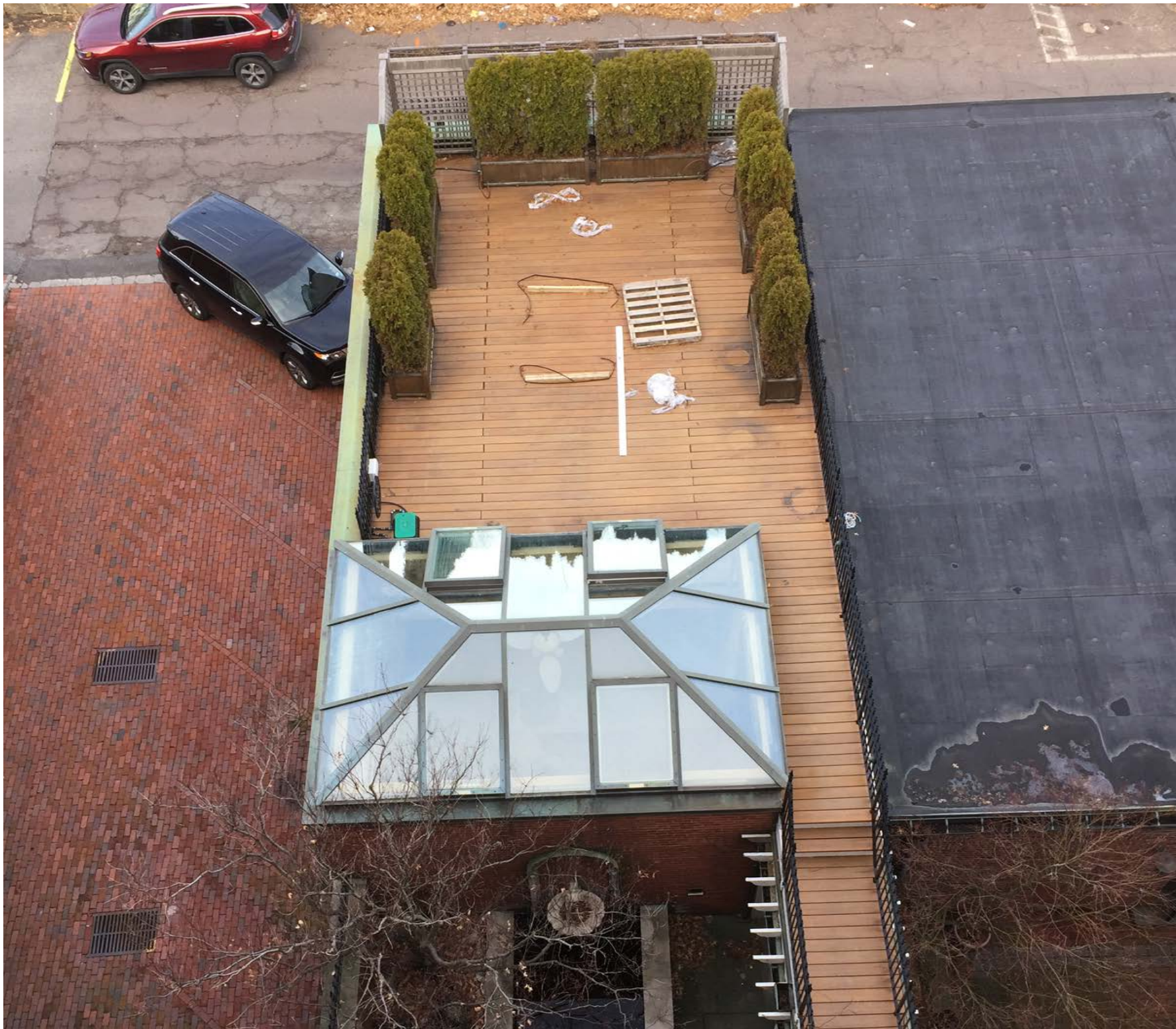
© 2019 HACIN ARCHITECTS LLC ALL RIGHTS RESERVED.



WOOD GARAGE DOORS AT 348 BEACON ST (AS VIEWED FROM BACK STREET)



PROPOSED WOOD GARAGE DOOR & ALLEY DOOR



EXISTING LOWER DECK



EXISTING COMPOSITE DECKING



PROPOSED HARDWOOD DECKING [IPE]

## REPLACE LOWER DECK - DECKING MATERIAL

344 BEACON STREET | BBAC DESIGN REVIEW HEARING | MAY 08, 2019

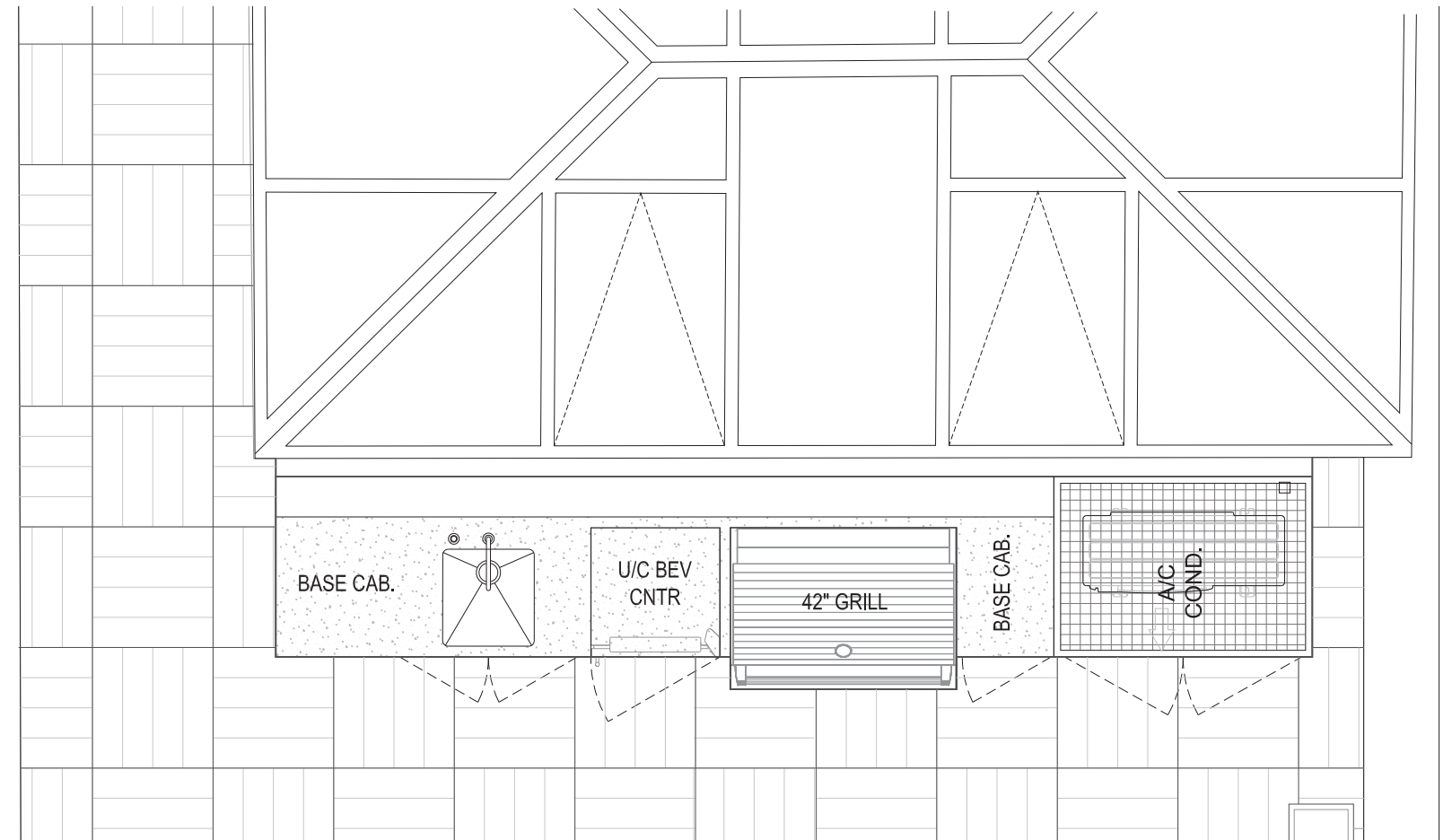


## REPLACE LIGHT FIXTURES (EXISTING LOCATIONS)

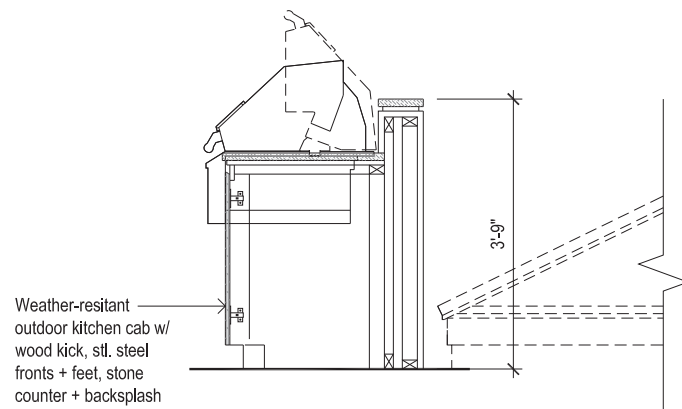
344 BEACON STREET | BBAC DESIGN REVIEW HEARING | MAY 08, 2019



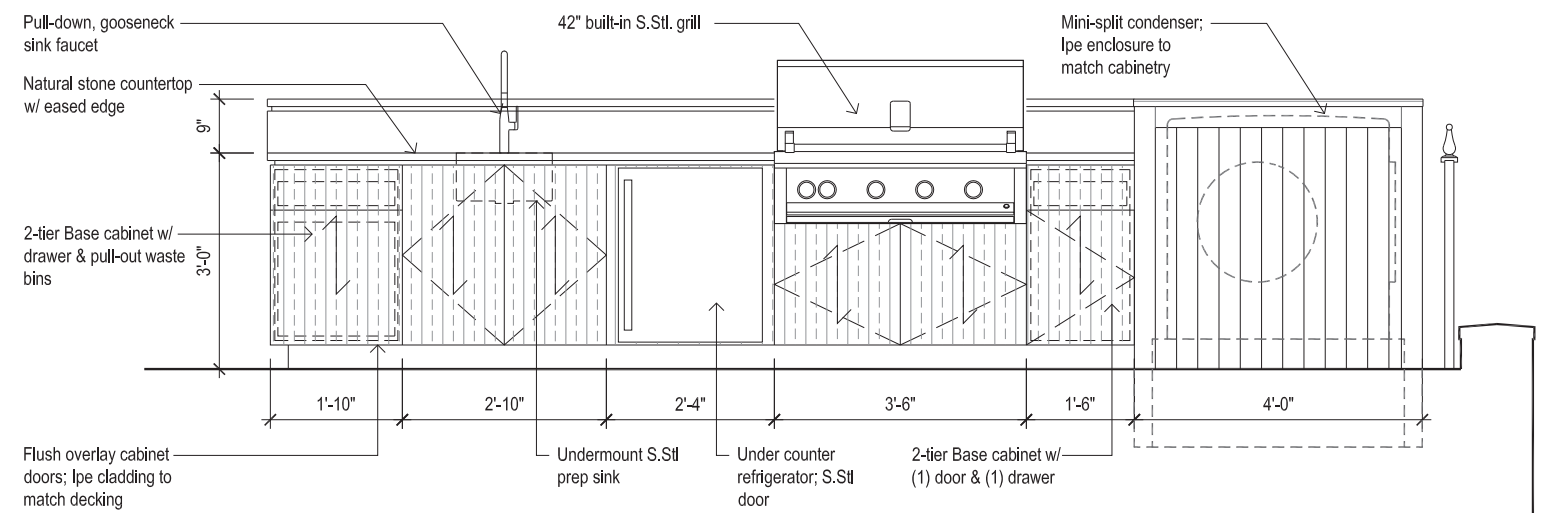




3 Outdoor Kitchenette - Plan  
Scale: 1/2" = 1'-0"



2 Outdoor Kitchenette - Section  
Scale: 1/2" = 1'-0"



1 Outdoor Kitchenette - Front Elevation  
Scale: 1/2" = 1'-0"

## OUTDOOR KITCHENETTE - LOWER DECK

344 BEACON STREET | BBAC DESIGN REVIEW HEARING | MAY 08, 2019



VIEW FROM BACK STREET

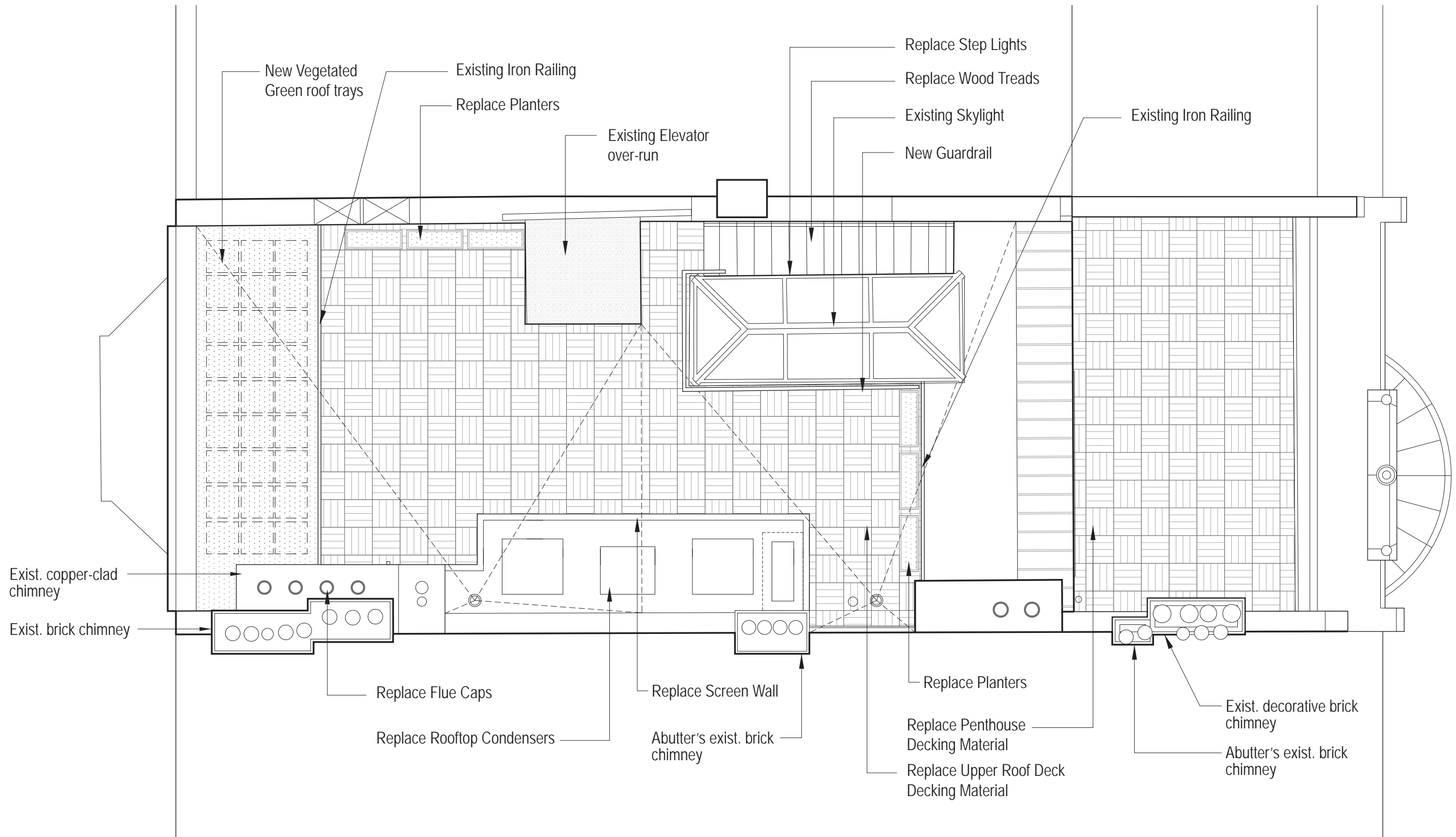


VIEW FROM PEDESTRIAN BRIDGE

**OUTDOOR KITCHENETTE - LOWER DECK**

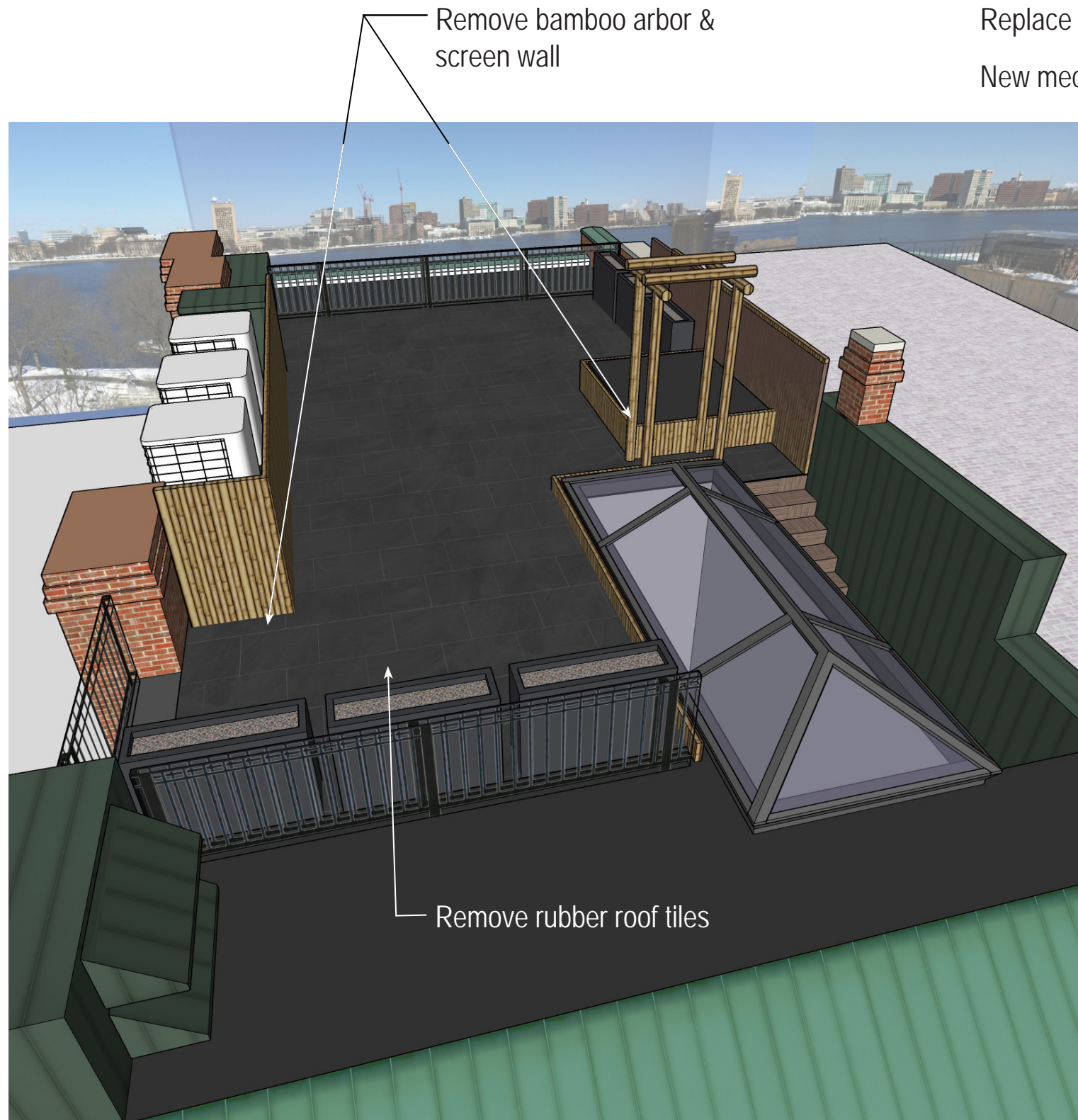
344 BEACON STREET | BBAC DESIGN REVIEW HEARING | MAY 08, 2019

© 2019 HACIN ARCHITECTS LLC ALL RIGHTS RESERVED.



**UPPER ROOF + PENTHOUSE DECK ALTERATIONS**

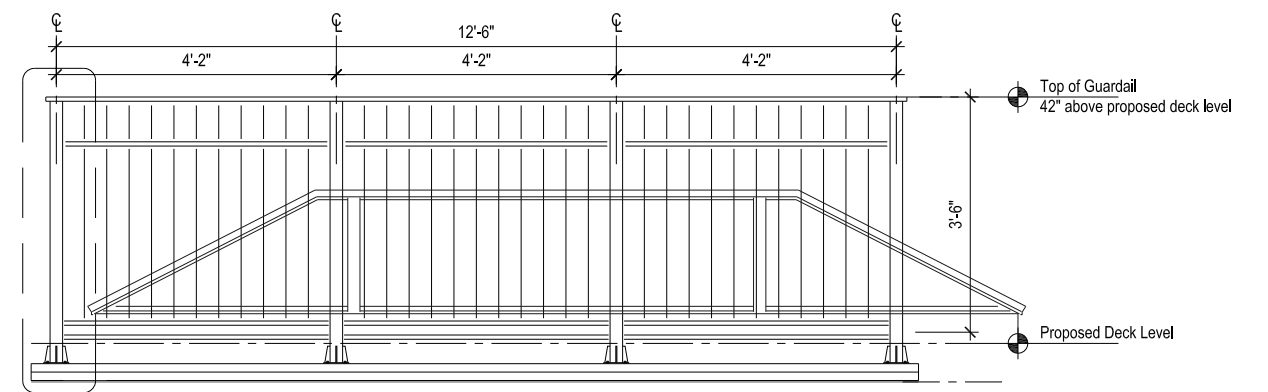
344 BEACON STREET | BBAC DESIGN REVIEW HEARING | MAY 08, 2019



EXISTING ROOFTOP LAYOUT



PROPOSED ROOF TOP LAYOUT



1 Roof Guardrail - Elevation  
Scale

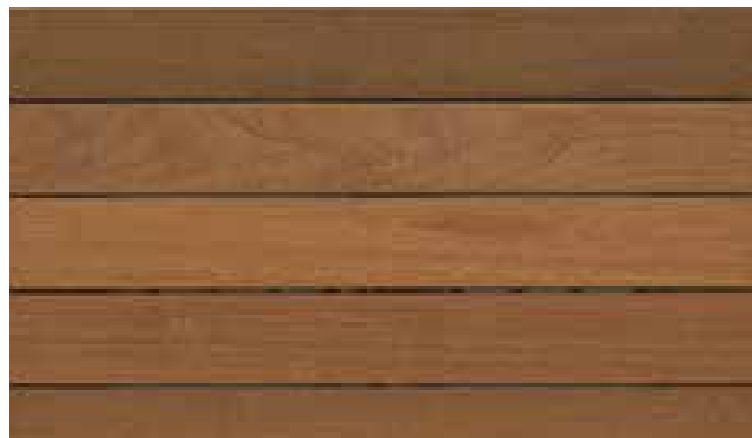
## UPPER ROOF DECK ALTERATIONS

344 BEACON STREET | BBAC DESIGN REVIEW HEARING | MAY 08, 2019

© 2019 HACIN ARCHITECTS LLC ALL RIGHTS RESERVED.



## Ipê Wood Tiles



PROPOSED HARDWOOD DECKING [IPE]

### REPLACE DECKING MATERIAL - PENTHOUSE DECK & UPPER ROOF DECK

344 BEACON STREET | BBAC DESIGN REVIEW HEARING | MAY 08, 2019

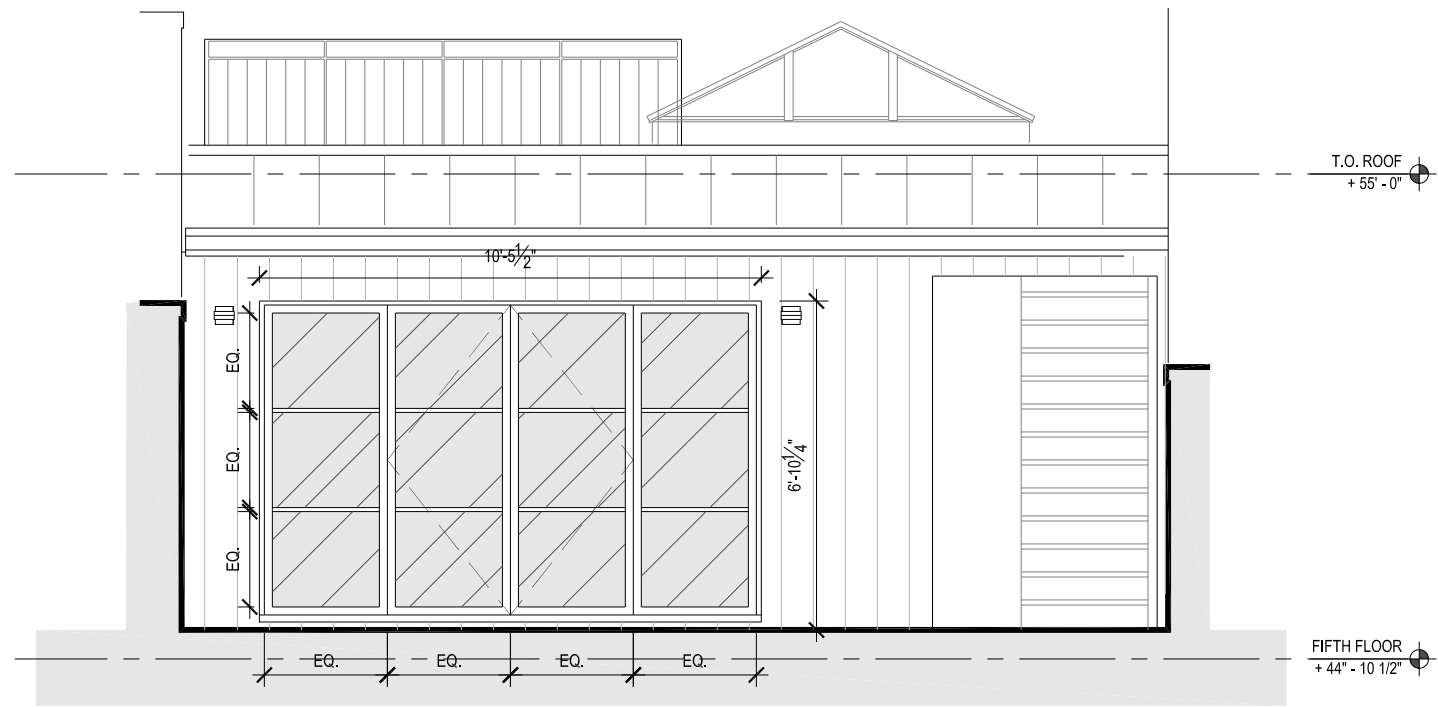
© 2019 HACIN ARCHITECTS LLC ALL RIGHTS RESERVED.

**EXISTING FRONT DECK LIGHTING**



WALL SCONCES [QTY:3], SURFACE MOUNT LIGHT [QTY:1]

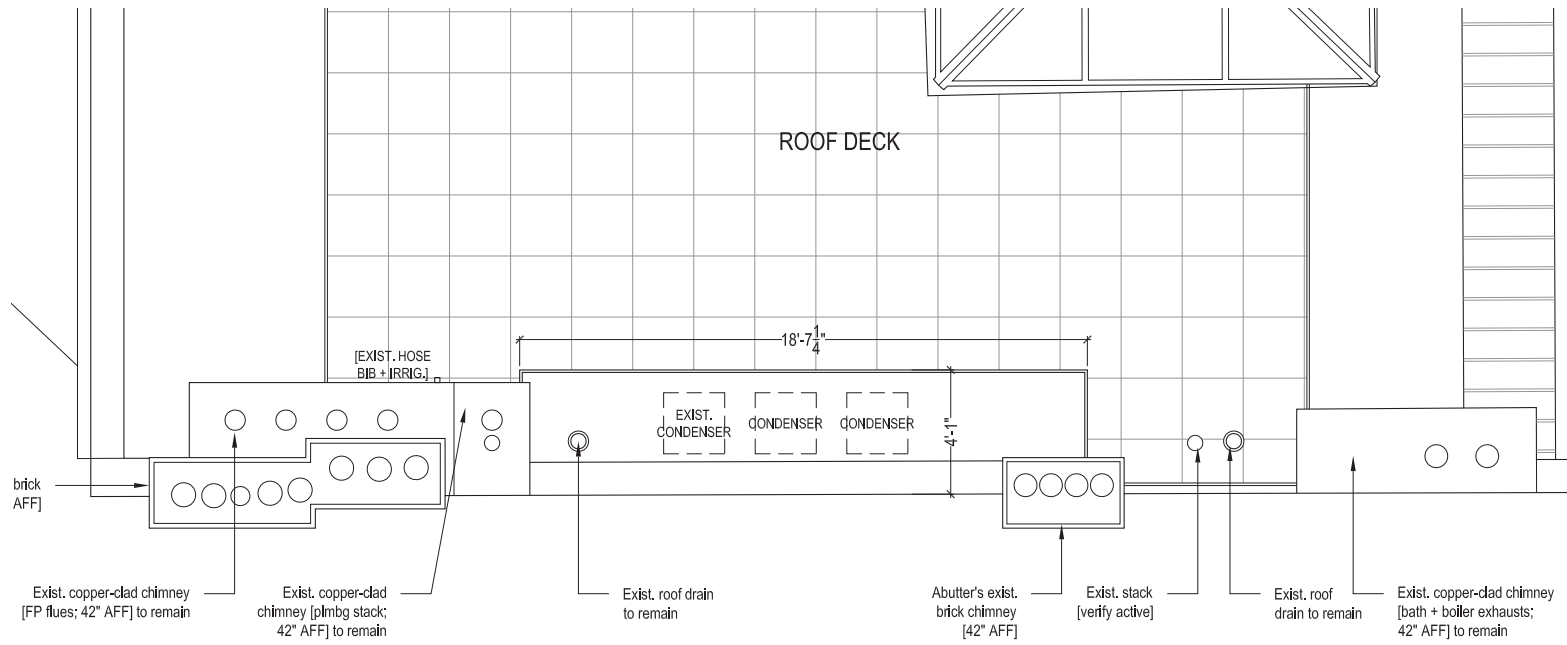
**PROPOSED FRONT DECK LIGHTING**



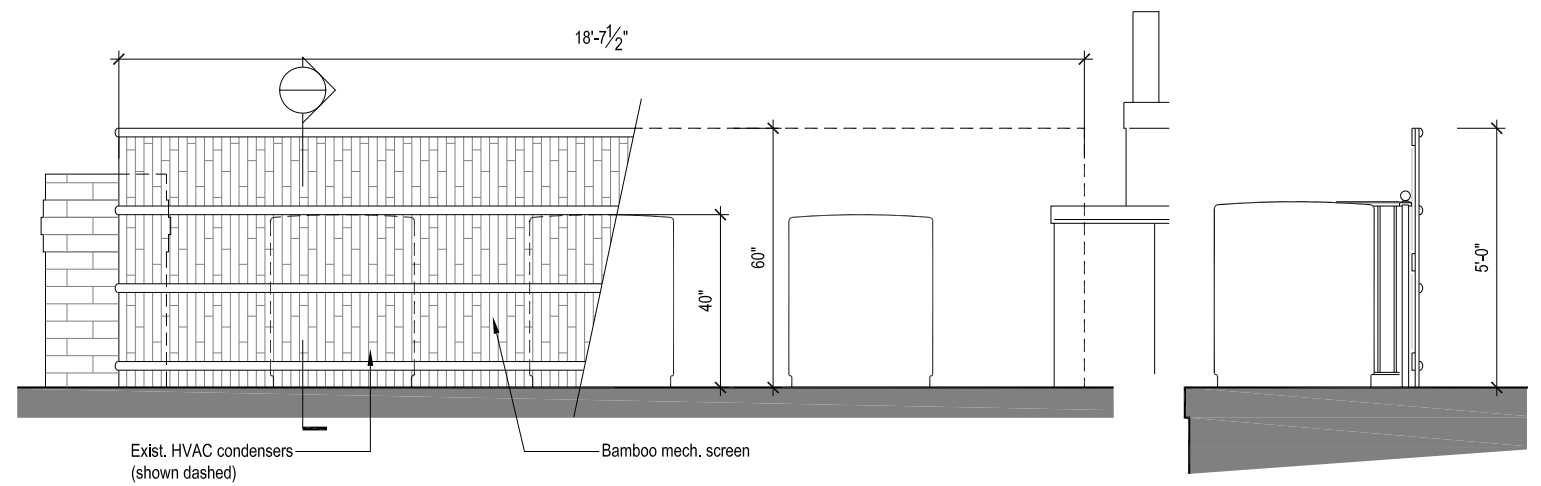
WALL SCONCES [QTY: 2], SURFACE MOUNT LIGHT [QTY:1]

**REPLACEMENT LIGHTING @ PENTHOUSE WINDOWS**

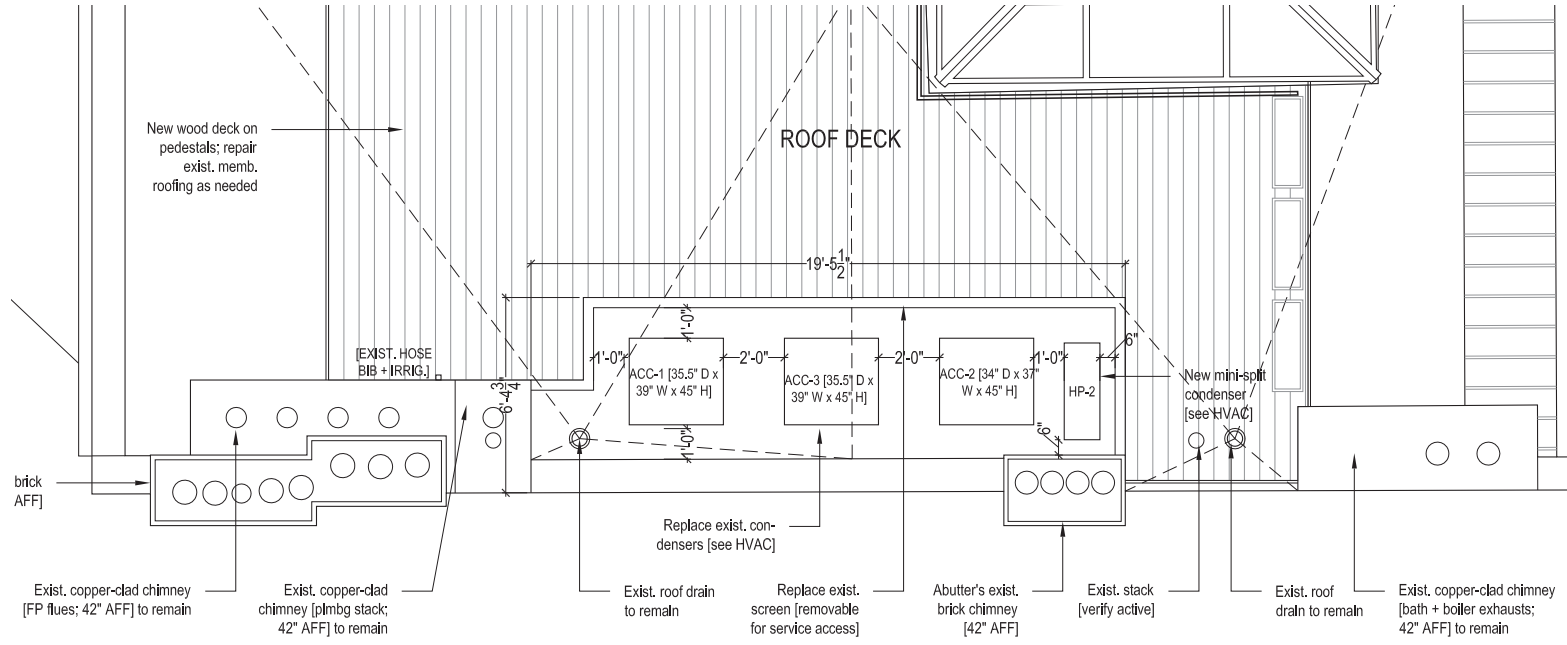
344 BEACON STREET | BBAC DESIGN REVIEW HEARING | MAY 08, 2019



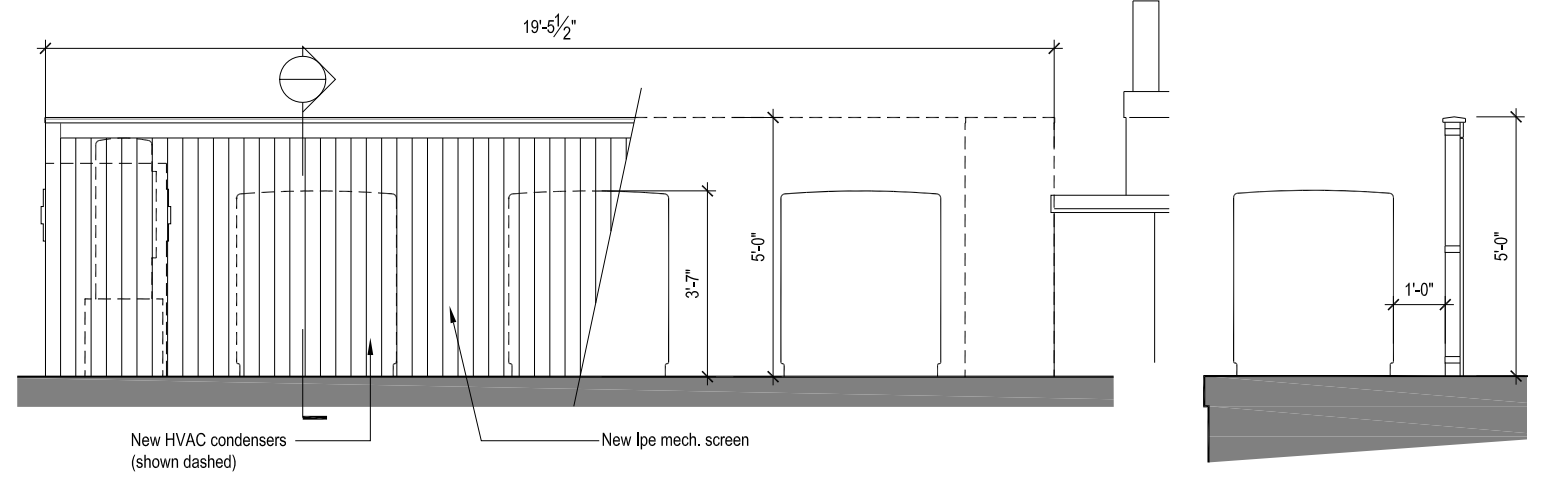
EXISTING ROOFTOP MECHANICAL LAYOUT



EXISTING MECHANICAL SCREEN WALL



PROPOSED ROOFTOP MECHANICAL LAYOUT



PROPOSED MECHANICAL SCREEN WALL

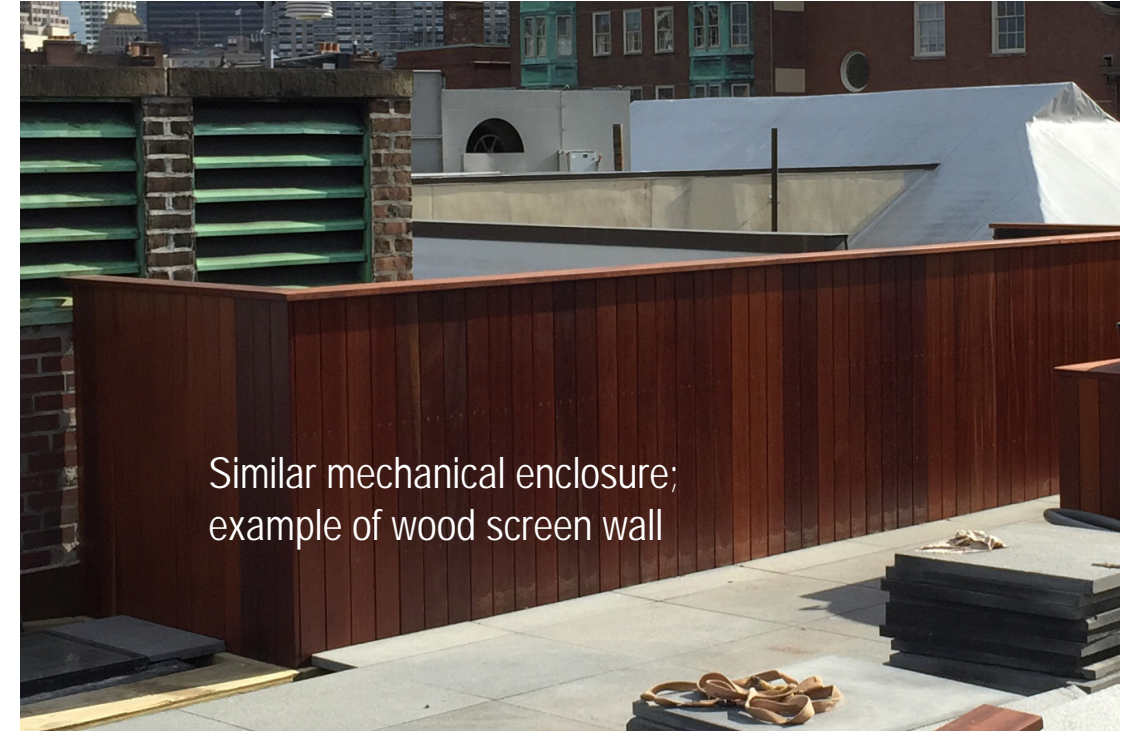
# NEW ROOFTOP CONDENSERS + SCREEN WALL

344 BEACON STREET | BBAC DESIGN REVIEW HEARING | MAY 08, 2019





EXISTING MECHANICAL EQP. SCREEN WALL



Similar mechanical enclosure;  
example of wood screen wall



PROPOSED MECHANICAL EQP. SCREEN WALL

## ROOFTOP MECHANICAL EQP. - REPLACE PRIVACY SCREEN

344 BEACON STREET | BBAC DESIGN REVIEW HEARING | MAY 08, 2019



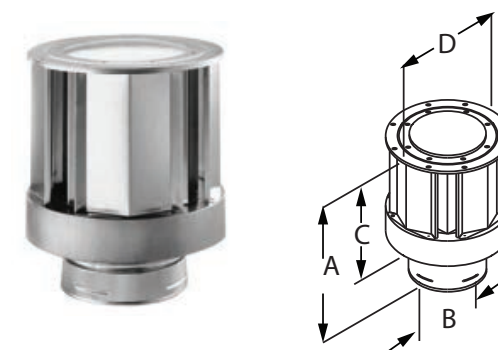


EXISTING CHIMNEY FLUE CAPS



EXISTING CHIMNEY FLUE CAPS

### High-Wind Termination Cap



PROPOSED CHIMNEY FLUE CAPS

## REPLACE CHIMNEY FLUE CAPS

344 BEACON STREET | BBAC DESIGN REVIEW HEARING | MAY 08, 2019



# Enviro Klean®

NEXT GENERATION CLEANERS

## SafRestorer®

Enviro Klean® SafRestorer® breaks the grip of stubborn atmospheric and carbon staining on masonry and stone for easy rinsing away. It restores the intended appearance of buildings soiled by decades of auto exhaust and other air pollutants. SafRestorer® also gets rid of soiling and hard-to-remove deposits on window glass, including white scum. This highly efficient liquid restoration cleaner is suitable for a wide variety of stone and masonry, including unpolished limestone and marble. Unlike many conventional restoration cleaners, low-odor, non-fuming SafRestorer® is safe for use around most architectural metal.

### ADVANTAGES

- Fast and effective on most masonry surfaces.
- Safe for unpolished limestone and marble.
- Will not etch or discolor most glass, architectural metals or painted surfaces.
- Low-odor, non-fuming formulation.
- Contains no mineral acids.
- Effectively removes mud staining from clay brick surfaces.

### Limitations

- May not be suitable for some polished stone and glazed surfaces.
- Repeated applications may damage glass and/or glazing. ALWAYS TEST for acceptable results before overall application.
- Not intended for routine maintenance glass cleaning.
- Do not use on treated low-E glass; acrylic and polycarbonate sheet glazing; and glazing with surface-applied reflective, metallic or other synthetic coatings or films.

### REGULATORY COMPLIANCE

#### VOC Compliance

Enviro Klean® SafRestorer® is compliant with all national, state and district VOC regulations.

### TYPICAL TECHNICAL DATA

FORM	Clear, light yellow liquid Mild odor
SPECIFIC GRAVITY	1.11
pH	2.9
WT/GAL	9.15 lbs
ACTIVE CONTENT	not applicable
TOTAL SOLIDS	not applicable
VOC CONTENT	not applicable
FLASH POINT	not applicable
FREEZE POINT	28° F (-2° C)
SHELF LIFE	2 years in tightly sealed, unopened container

### SAFETY INFORMATION

Always read full label and SDS for precautionary instructions before use. Use appropriate safety equipment and job site controls during application and handling.

**24-Hour Emergency Information:  
INFOTRAC at 800-535-5053**

# Product Data Sheet

## Enviro Klean® SafRestorer®

### PREPARATION

Protect people, vehicles, property and all surfaces not designated to be cleaned from product, splash, wind drift, residue, and rinse water. Protect/divert auto traffic and foot traffic. Clean when traffic is at a minimum.

Limit contact of cleaner with metal window frames, particularly architectural aluminum. If contact occurs, rinse immediately. In most cases, limited contact will not harm metal.

### Surface and Air Temperatures

Best cleaning results are obtained when air and masonry surface temperatures are 40°F (4°C) or above. To avoid harm to masonry, do not clean when temperatures are below freezing or will be overnight. If freezing conditions exist prior to application, let masonry thaw.

### Equipment

Apply with an acid-resistant brush, heavy nap roller or low-pressure (50 psi max) spray. Do not atomize. Scrub heavily soiled surfaces with a nonabrasive brush or synthetic scrubbing pad.

Rinse spent cleaner and dissolved contaminants from the wall with masonry-washing equipment generating 400–1000 psi with a water flow rate of 6–8 gallons per minute. Use a 15–45° fan spray tip. Heated water (150–180°F; 65–82°C) may improve cleaning efficiency. Use adjustable equipment for reducing water flow-rates and rinsing pressure as needed for sensitive surfaces.

Rinsing pressures greater than 1000 psi and fan spray tips smaller than 15° may permanently damage sensitive masonry. Water flow-rates less

than 6 gallons per minute may reduce cleaning productivity and contribute to uneven cleaning results.

Use only well maintained staging and scaffolding that is equipped with steel cable. Use polypropylene ropes and safety lines. Use acid-resistant dilution and application equipment.

### Storage and Handling

Store in a cool, dry place with adequate ventilation. Always seal container after dispensing. Do not alter or mix with other chemicals. Published shelf life assumes upright storage of factory-sealed containers in a dry place. Maintain temperature of 45–100°F (7–38°C). Do not double stack pallets. Dispose of in accordance with local, state and federal regulations.

### APPLICATION

Read “Preparation” and the Safety Data Sheet before use. **ALWAYS TEST** a small area of each surface to confirm suitability, coverage rate and desired results before beginning overall application. Test with the same equipment, recommended surface preparation and application procedures planned for general application. Let surface dry thoroughly before inspection.

### Dilution & Mixing

Enviro Klean® SafRestorer® may be used in concentrate or diluted with up to three parts fresh water. Conduct test panels to determine the mildest dilution ratio which produces the most effective cleaning solution. Always test to the final dilution producing desired cleaning results.

Do not alter or use for purposes other than specified.

### BEST PRACTICES

Limit contact of cleaner with metal window frames, particularly architectural aluminum. If contact occurs, rinse immediately. In most cases, limited contact will not harm metal.

Conduct test panels to determine the mildest dilution ratio which produces the most effective cleaning solution. Always test to the final dilution producing desired cleaning results.

Apply with an acid-resistant brush, heavy nap roller or low-pressure (50 psi max) spray. Scrub heavily soiled surfaces with a nonabrasive brush or synthetic scrubbing pad.

Use only well maintained staging and scaffolding that is equipped with steel cable. Use polypropylene ropes and safety lines. Use acid-resistant dilution and application equipment.

Rinse spent cleaner and dissolved contaminants from the wall with masonry-washing equipment generating 400–1000 psi with a water flow rate of 6–8 gallons per minute. Use a 15–45° fan spray tip. Heated water (150–180°F; 65–82°C) may improve cleaning efficiency. Use adjustable equipment for reducing water flow-rates and rinsing pressure as needed for sensitive surfaces.

Never go it alone. If you have problems or questions, contact your local PROSOCO distributor or field representative. Or call PROSOCO technical Customer Care, toll-free, at 800-255-4255.

# Product Data Sheet

## Enviro Klean® SafRestorer®

### Typical Coverage Rates

Coverage varies based on porosity and texture. Always test.

- 150–400 sq.ft. per gallon of undiluted cleaner
- 14–37 sq.m. per gallon of undiluted cleaner

### Application Instructions

#### *Brick and Stone*

1. Working from the bottom to the top, thoroughly prewet the surface with fresh water.
2. Apply the cleaning solution freely from the bottom of the work area to the top.
3. Let the cleaning solution stay on the wall 5–15 minutes. If the cleaner starts to dry, reapply.
4. Reapply the cleaning solution to heavily soiled areas. Scrub gently.
5. Working from the bottom to the top, thoroughly rinse treated surfaces with clean water. Make sure to flush all spent cleaner and dissolved soiling from the surface, surface pores and adjacent non masonry surfaces.

#### *Glass*

Working from the bottom to the top, thoroughly prewet the glass with fresh water. Apply in concentrate directly to window. Let cleaner dwell for no more than five minutes. Thoroughly rinse spent cleaner and dissolved contaminants off glass with lots of fresh water.

*NOTE:* Repeated applications may damage glass and/or glazing. ALWAYS TEST for acceptable results before overall application.

#### *Cleanup*

Clean equipment with fresh water.

### WARRANTY

The information and recommendations made are based on our own research and the research of others, and are believed to be accurate. However, no guarantee of their accuracy is made because we cannot cover every possible application of our products, nor anticipate every variation encountered in masonry surfaces, job conditions and methods used. The purchasers shall make their own tests to determine the suitability of such products for a particular purpose.

PROSOCO, Inc. warrants this product to be free from defects. **Where permitted by law, PROSOCO makes no other warranties with respect to this product, express or implied, including without limitation the implied warranties of merchantability or fitness for particular purpose.** The purchaser shall be responsible to make his own tests to determine the suitability of this product for his particular purpose. PROSOCO's liability shall be limited in all events to supplying sufficient product to re-treat the specific areas to which defective product has been applied. Acceptance and use of this product absolves PROSOCO from any other liability, from whatever source, including liability for incidental, consequential or resultant damages whether due to breach of warranty, negligence or strict liability. This warranty may not be modified or extended by representatives of PROSOCO, its distributors or dealers.

### CUSTOMER CARE

Factory personnel are available for product, environment and job-safety assistance with no obligation. Call 800-255-4255 and ask for Customer Care – technical support.

Factory-trained representatives are established in principal cities throughout the continental United States. Call Customer Care at 800-255-4255, or visit our web site at [www.prosoco.com](http://www.prosoco.com), for the name of the PROSOCO representative in your area.

# Matrix TR

Brush or trowel applied, polymer modified, cementitious repair mortar for thin repairs to natural and cast stone.

## WHERE TO USE

Thin, protective repairs to brownstone, sandstone, limestone, cast stone, terracotta and concrete.

### Performance Characteristics

#### Low shrinkage

- Maintains integrity of repair, resists cracking.

#### Thermal compatibility

- Prevents delamination due to temperature change.

#### Durable

- Resistant to weathering action, excellent freeze/thaw stability and abrasion resistance.

#### Very low permeability

- Resistant to deicing salts, carbonation, chloride, and chemical attack.

#### Breathability

- Will not cause damage to structure by restricting moisture vapor flow.

#### Complete kit

- Pre-measured, two component system in one container.

#### Extensive color spectrum

- Available in 11 standard colors and custom color matching.

### Surface Preparation

- Remove loose and deteriorated material, laitance, dirt, dust, oil and any surface contaminants that will inhibit proper bond.
- Apply Conpro Start where a consolidant is of benefit.
- Pre-treat static cracks and voids with Injection Grout where applicable.
- Saturate substrate with clean water, (saturated surface dry/SSD).
- Mechanically prepare surface to be open-pored and textured (CSP 3). Refer to ICRI Surface Preparation Guide 03732 for information about surface preparation.

### Priming

- No priming is required under normal circumstances.

### Mixing

- Mechanically mix using a low speed drill (400-600 rpm) and mixing paddle.
- Thoroughly shake K-88 Admix to disperse the pigment.
- Mix 3 parts powder to 1 part K-88 Admix.
- Mix continuously for 3 minutes to a uniform, lump-free consistency.
- Allow to "breathe" for 1 minute and remix for 1 minute. This will improve workability and open time.
- Do not overmix, as this will entrain excess air.
- Do not re-temper.

### Application

- At the time of application, surfaces should be saturated surface dry (SSD) but hold no standing water.
- Apply material with a stiff bristle brush or trowel.
- Work material into substrate to promote proper adhesion.
- Coat individual stones (not continuous over mortar joints) a maximum thickness of 1/16 inch.
- Finish with either a sponge float or trowel.
- Do not overwork the finish.

### Curing

- Protect repair from direct sunlight, wind, rain condensation and frost during curing period.

### Clean Up

- Clean tools and equipment with water immediately after use.
- Cured material must be removed mechanically.

# Matrix TR

## Coverage/Yield

- **10 lb. kit** - 20 ft<sup>2</sup> @ 1/16 inch.

## Product Handling

### Packaging

- 10 lb. kit contains 8.36 lbs. of powder and 2.1 lbs. of K-88 Admix in plastic pails.

### Shelf Life

- 18 months when properly stored.

### Storage

- Transport and store in cool, clean, dry conditions in unopened containers.
- High temperature or high humidity will reduce shelf life.
- Protect K-88 Admix from freezing.

## Limitations

- Do not apply unless substrate and ambient temperature can be maintained at a minimum of 50°F for 24 hours. Refer to ACI Cold Weather Application Guidelines.
- Protect application from precipitation condensation and high wind for at least 24 hours.
- Do not re-temper, polymer modified materials.
- Avoid overworking material during placement.
- Do not apply curing compounds.
- Do not allow polyethylene or burlene to touch surface while curing as this will cause whitening of the material.

## Health and Safety

- Product is alkaline.
- Do not ingest.
- Avoid breathing dust.
- Avoid contact with skin and eyes.
- Refer to Safety Data Sheet (SDS) for additional information.

## First Aid

- In case of skin contact, wash thoroughly with soap and water.
- For eye contact, flush immediately with a high volume of water for at least 15 minutes and contact a medical professional.
- For respiratory problems, remove person to fresh air.

## Disposal

- Dispose of material in accordance with local, state and federal regulations.

## Technical Data

Physical state and appearance		Dry pigmented powder and liquid		
Base				
Powder		Portland cement		
Liquid admix		Acrylic polymer		
pH	Wet mix	>12		
Liquid/dry material ratio		0.33		
Dry bulk density	ASTM C188	93 lbs./ft. <sup>3</sup>		
Density	Hardened	118 lbs./ft. <sup>3</sup>		
Setting time @ 1/8 inch thickness	ASTM C953	Initial 15 minutes – Final 30 minutes		
Durometer hardness	ASTM D2240	70		
Water vapor transmission	ASTM E96	5.1 perms		
Accelerated weathering	ASTM G154	2000 hours – excellent – no effect		
		<b>7 days</b>	<b>14 Days</b>	<b>28 days</b>
Compressive strength - psi	ASTM C109	4000	5100	6200
Tensile strength – psi	ASTM C307	200	250	350

### FOR PROFESSIONAL USE ONLY

Conproco warrants this product for one year from the date of manufacture to be free from manufacturing defects and to meet the technical properties on the current technical data sheet if used as directed within shelf life. User determines suitability of product for use and assumes all risks. Buyer's sole remedy shall be limited to the purchase price or replacement of product, exclusive of labor or cost of labor. January 2, 2019.

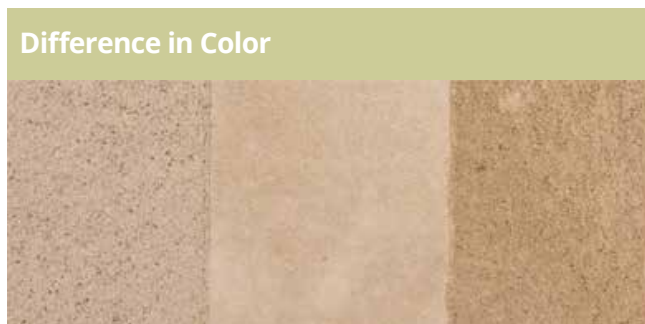
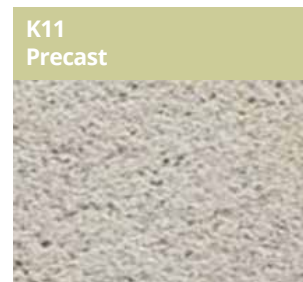
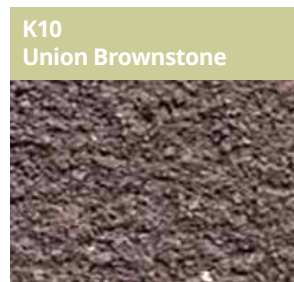
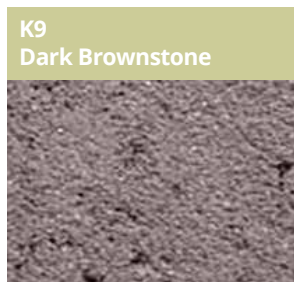
NO OTHER WARRANTIES EXPRESSED OR IMPLIED SHALL APPLY, INCLUDING ANY WARRANTY OF MERCHANTABILITY OR FITNESS FOR A PARTICULAR PURPOSE. CONPROCO CORP SHALL NOT BE LIABLE UPON ANY LEGAL THEORY FOR SPECIAL OR CONSEQUENTIAL DAMAGES.

**conproco**<sup>®</sup>

17 PRODUCTION DRIVE, DOVER, NH 03820  
TELEPHONE 800.258.3500 • FAX 603.743.5744 • WEB ADDRESS [www.conproco.com](http://www.conproco.com)

Masonry Restoration Standard Colors

Matrix  
Matrix TR  
Injection Grout  
RePoint



Created by...  
shaved finish (left) smooth finish (center)  
sandblast finish (right)

Each of the listed products are available in colors K1-K-11.

This color card is to provide an approximation of the color.

**Always request a sample of the product in desired color for accurate matching.**

The colors shown are standard for Matrix, Matrix TR (formerly Mimic TR), Injection Grout and RePoint.

Color matching is available for each of these products with the exception of Injection Grout.

Refer to current data bulletin for application and finishing detail for each product.

For custom color matching contact Conproco customer support at 800.258.3500.

EXTERIOR HARDWARE FOR NEW ENTRY DOOR

MATTE BLACK FINISH



**WATER STREET**  
LAKEWOOD NEW YORK



L

MN Edge Detail



MN EDGE DETAIL - SQUARE PROFILE

	Part Number	Width	Height
L	21500	2-1/2"	20"

The large escutcheon is used primarily on exterior doors or very large interior doors, including the following applications:

- Thumbpiece x thumbpiece entry sets
- Thumbpiece x lever or knob (typically large escutcheon on exterior side only)
- Mortise or tubular privacy & passage sets
- Full and half dummy sets
- Push plates and pull plates

21500 Escutcheon  
22007 Thumbpiece  
7813 Entry Handle

**22043**  
**THUMBPIECE**



## 4MP H.265 Motorized IR Bullet Camera

- H.265 Codec
- Up to 2560 x 1440 High Resolution
- IR Range: 30-50m (98.4 - 164ft)
- Triple Streams
- Smart Video Quality Diagnosis
- Audio I/O 1/1, Alarm I/O 2/0, MicroSD Slot, Up to 128GB
- Operating Temps:
  - 30°C ~ 60°C (-22°F ~ 140°F) – IR Off
  - 30°C ~ 40°C (-22°F ~ 104°F) – IR On
- Indoor/Outdoor
- Compatible with **Visualint Touch** Arming & Disarming Station



CAMERA	
<b>Model</b>	VIM-3140
<b>Image Sensor</b>	1/3" OV CMOS
<b>Core Processor</b>	ARM9 Architecture
<b>Operating System</b>	Embedded Linux
<b>Signal System</b>	PAL/NTSC
<b>Minimum Illumination</b>	Color: 0.3 Lux @ (F1.4, AGC On) B/W: 0.01 Lux @ (F1.4, AGC on); 0 Lux with IR
<b>Shutter Time</b>	1s to 1/100,000s
<b>Lens</b>	2.8 – 12mm, Motorized Lens, Angle of View: 90.8° ~ 32.1°
<b>Lens Mount</b>	Φ14
<b>Auto Iris</b>	DC Drive
<b>Day &amp; Night</b>	IR Cut Filter with Auto Switch
<b>Wide Dynamic Range</b>	120 dB
<b>Digital Noise Reduction</b>	3D DNR
<b>Focus</b>	Auto

COMPRESSION STANDARD	
<b>Video Compression</b>	H.265/H.264 HP/MP/BP/M-JPEG
<b>Bit Rate</b>	32Kbps ~ 16Mbps
<b>Audio Compression</b>	G.711A/G.711U/ADPCM/AAC
<b>Bit Rate</b>	G711 8KHz, 64kbps ADPCM 8KHz, 32kbps AAC 48KHz, 96-320kbps

IMAGE	
<b>Max. Image Resolution</b>	2560x1440
<b>Frame Rate</b>	PAL: 1440p@25fps, QXGA@25fps, 960p@25fps, 720p@25fps, Up to 1280x720@50fps NTSC: 1440p@25fps, QXGA@30fps, 1080p@30fps, 960p@30fps, 720p@30fps, Up to 1280x720@60fps
<b>Triple Stream</b>	Mainstream: 1440P (2560x1440) Substream: D1 (704x576) 3 <sup>rd</sup> Stream: CIF (352x288)
<b>Image Settings</b>	Brightness, Saturation, Contrast, Flip Mode Adjustable by Client Software or Web Browser
<b>HLC</b>	Yes
<b>Smart Defog</b>	Yes
<b>Corridor</b>	Yes
<b>EIS</b>	Yes
<b>ROI</b>	4 Zones
<b>Privacy Mask</b>	4 Zones
<b>Picture Overlay</b>	200 x 200, BMP 24bit, Zone Configurable
<b>OSD</b>	16x16, 32x32, 24x24, 48x48, 64x64, 96x96 Size Letters Such as Week, Date, Time, Total 5 Regions

NETWORK	
<b>Browser</b>	IE10+, Firefox24 on Windows
<b>Protocols</b>	IPv4/IPv6/HTTP/802.1x/FTP/SNMP/UPnP/SNMP/DNS/DDNS/ NTP/RTSP/TCP/UDP/DHCP/PPPoE
<b>User Permission</b>	4 Level/8 Users
<b>Remote Connection</b>	4 Users Access at the Same Time
<b>System Compatibility</b>	ONVIF (Profile S)

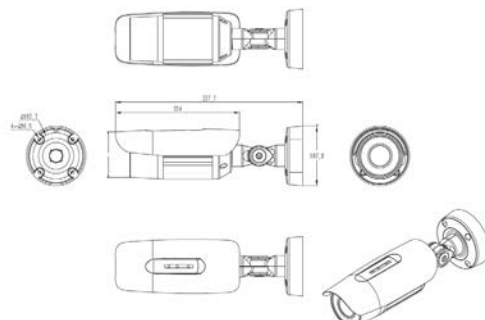
INTERFACE	
<b>Audio Input</b>	1-ch
<b>Audio Output</b>	1-ch
<b>Communication Interface</b>	1-ch RJ45 10M/100M Ethernet Interface
<b>Alarm Input</b>	2-ch
<b>Alarm Output</b>	1-ch
<b>Video Output</b>	1-ch Vp-p Composite Output (75Ω, BNC)
<b>On-Board Storage</b>	Micro SD Card Slot, up to 128GB
<b>Extension</b>	1xUSB

GENERAL	
<b>Operating Conditions</b>	-30°C ~ 60°C (-22°F ~ 140°F) – IR Off -30°C ~ 40°C (-22°F ~ 104°F) – IR On 0 ~ 95% RHG
<b>Power Supply (not included)</b>	12VDC ±20%, PoE (802.3af)
<b>Power Consumption</b>	3.2W (IR Off) (ICR Instant Switch 8.5W) 7.4W (IR On)
<b>Circuit Protection</b>	TVS 6000V, Lightning/Surge 2000V Protection
<b>Impact Protection</b>	IP67
<b>IR Range</b>	30-50m (98.4-164ft)
<b>IR LEDs</b>	54pcs, φ5 Array IR LEDs
<b>Dimensions</b>	337 x 107 x 107mm (13.2 x 4.2 x 4.2in) (Measurement taken when sunshield is not fully extended)
<b>Weight</b>	1.3kg/2.87lbs (IP Camera only), 1.6kg/3.5lbs (with Packing Box)

VIDEO CONTENT ANALYSIS (included as standard)	
<b>High Performance</b>	Advanced tracking algorithm, low false alarm rate
<b>Detection Zones</b>	Minimum/maximum object size classification
<b>Detection Behavior</b>	Tripwire/Perimeter/Object Abandoned/Object Removed/ Loitering/Scene Change/Blur Image/Abnormal Audio
<b>On-Screen Display</b>	Real-time display of tracking data and events
<b>Tamper Detection</b>	Detect camera tampering
<b>Alert Hold-Off Time (Entry Route)</b>	Selectable from 1 to 300 seconds



Optional Junction Box (VI-JB)



Preliminary Version Data subject to change without notice.

\*Please check firmware status. \*\*Class4 or higher SD cards are recommended for HD recording.

# Intelligent Video Doorbell



## Security and Convenience at Your Front Door.

The ELAN Video Doorbell uses the award-winning ELAN user interface to answer the door from anywhere using phones, tablets or touch-panels. With a low profile, small footprint and popular colors, it fits elegantly with any front door décor.

Always know when someone is approaching the door with automatic notifications anytime movement is detected or monitor doors remotely via the high definition camera through the ELAN interface on phones or tablets.

And with IntelliVision™ advanced motion analytics, the ELAN video doorbell accurately distinguishes

between people and moving objects such as passing cars and swaying trees, all but eliminating false alerts. In addition to delivering automatic and authentic movement-based notifications of someone approaching the door, as an additional safety measure, the Intelligent Doorbell's camera tamper feature sends a notice if the camera is covered, such as by a hand.

The doorbell camera seamlessly integrates with ELAN Surveillance for video recording and

monitoring. It's camera acts as one of the ELAN systems' surveillance cameras, allowing full playback control through the ELAN user interfaces.

And now, it's easier than ever to install a video doorbell in an ELAN system. With ELAN discovery, PoE, and compatibility with legacy ELAN door station brackets (DBK1000), the ELAN door station is perfect for any job



# EL-DB-BR | EL-DB-NI | EL-DB-BK

IP Video Doorbell



ORDER NOS. EL-DB-BR | EL-DB-NI | EL-DB-BK

- IntelliVision advanced motion analytics nearly eliminates false positive motion alerts.
- Integrates with ELAN Surveillance. Can be added to a channel on the ELAN NVR or used standalone.
- Light ring around doorbell button tunable to any color.
- PoE enabled.
- Metal faceplate stands up to weather, IP65 rated.
- Integrates with existing doorbells to ring standard doorbell chimes.
- Includes a relay to open electronic door strikes or gates. Detects status of relay to show whether a gate or door is locked or unlocked.
- Matching surface mount kit available.
- Auto-Discover/Auto-Configure with ELAN Configuration Software.
- Fits within legacy ELAN door station mounting bracket for upgrade.
- Adjustable proximity sensor detects movement for sending notifications via an ELAN controller.



GENERAL	
Colors	Satin Nickel, Oil Rubbed Bronze, Black
Faceplate	Anodized Aluminum
Mounting	In-wall / Surface
Doorbell Button	Anodized aluminum with light ring
Light Ring	Tunable color via software
Optional Surface Mount Enclosure	Anodized Aluminum

WEIGHT / DIMENSIONS	
Faceplate Size	3.5 X 5.67 X .375in / 89 X 144 X 9.5mm
Weight	0.55 lbs / .25 Kg
In-Wall Mounting Enclosure	2.75 X 4.56 X 1.97in / 70.2 X 116 X 50 mm
Surface Mounting Enclosure	3.5 X 5.67 X 1.3in / 89 X 144 X 33mm

CONNECTIONS	
Power	PoE - IEEE 803.2 at / 12VDC, 2A
Ethernet	100 Mbps
Door Chime Relay	24Vac, 2A
Door Strike Relay	24Vac, 2A
Door Sensor	Dry contact detection

ENVIRONMENTAL	
Temperature Range	-31F to 140 F / 35 C to 60 C
Humidity Tolerance	Up to 90%
Protection Rating	IP65
Compliance	RoHS, Reach, FCC Class B, CE (TBD)

CAMERA	
Resolution	720p
FPS	30
Field of View	140 degrees
Low Light / Night	RoHS, Reach, FCC Class B, CE (TBD)
Exposure	Automatic
Monitoring	Integrates with ELAN surveillance (NVR)

MICROPHONE / SPEAKER	
Audio	Full-Duplex
Processing	Echo / Noise cancellation
Volume, Equalization, Sensitivity	Adjustable in software

PROXIMITY SENSOR	
Type	Passive Infra-Red (PIR)
Detection	IntelliVision Analytics reduces false positives up to 99%
Range	Up to 5M, adjustable in software
Field of View	120 degrees

**ELAN**<sup>®</sup>  
Your world, made simple.™

[www.elanhomesystems.com](http://www.elanhomesystems.com)

**EXTERIOR HARDWARE FOR NEW REAR COURTYARD DOOR**



**WATER STREET**  
LAKWOOD NEW YORK

**MATTE BLACK FINISH**



MN Edge Detail



**MN EDGE DETAIL - SQUARE PROFILE**

	Part Number	Width	Height
<b>N</b>	21504	1-1/2"	11"

**Lever will not be textured**

The narrow escutcheon plate is used on any door with a narrow stile. Applications include:

- Multipoint profile cylinder entry sets
- Multipoint American cylinder entry sets
- Multipoint, mortise & tubular privacy or passage sets
- Full or half dummy sets


All escutcheons made to order.  
Custom sizes and profiles available.

21504 Escutcheon  
**23064 Lever**



## Tekna Ilford Wall-C Wall Light with Dark Bronze Finish and Clear Glass

**Estimated Production Time** 7-8 weeks

 **Shipping:** Rates vary by destination and complexity  
[Request a quote](#)

**Ships From:** Lokeren, Belgium



Eclectic wall light in dark bronze with outside fitted clear or frosted glass, closed top and open bottom. Wall bracket in bronze lacquered aluminium with forcible transit. For outdoor use (IP43).

There are various standard and special finishes available upon request.

### CREATOR

[Tekna \(Manufacturer\)](#)

### PLACE OF ORIGIN

[Belgium](#)

### CONDITION

New

### REFERENCE NUMBER

LU3901311465243

### PRODUCTION TYPE

Current Production

### DATE OF MANUFACTURE

Contemporary

### DIMENSIONS

H 20.04 in. x W 9.93 in. x D 13.31 in.  
 H 50.9 cm x W 25.2 cm x D 33.8 cm

### IN THE STYLE OF

[Modern](#)

### PERIOD

[21st Century](#)

### SELLER LOCATION

New York, NY

### MATERIALS AND TECHNIQUES

Frosted [Bronze](#), [Glass](#)

### SELLER REFERENCE NUMBER

800.49.519-C

### RETURN POLICY

This item cannot be returned.

[View details](#)

### ONLINE PAYMENT METHODS


1stdibs accepts the following payment methods





## Tekna Ilford Wall Light on Bracket 700 with Dark Bronze Finish and Clear Glass

**Estimated Production Time** 5-6 weeks

 **Shipping:** Rates vary by destination and complexity  
[Request a quote](#)

**Ships From:** Lokeren, Belgium



Eclectic wall light in dark bronze with outside fitted clear glass, closed top and open bottom. Wall bracket in bronze lacquered inox with forcible arm. For outdoor use (IP43).

There are various standard and special finishes available upon request.

### CREATOR

[Tekna \(Manufacturer\)](#)

### PLACE OF ORIGIN

[Belgium](#)

### CONDITION

New

### REFERENCE NUMBER

LU3901311464233

### PRODUCTION TYPE

Current Production

### DATE OF MANUFACTURE

Contemporary

### DIMENSIONS

H 34.61 in. x W 9.93 in. x D 17.84 in.

H 87.9 cm x W 25.2 cm x D 45.3 cm

### IN THE STYLE OF

[Modern](#)

### PERIOD

[21st Century](#)

### SELLER LOCATION

New York, NY

### MATERIALS AND TECHNIQUES

[Bronze](#), [Glass](#)

### SELLER REFERENCE NUMBER

800.07719-C

### RETURN POLICY

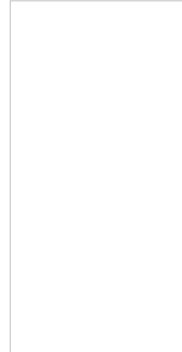
This item cannot be returned.

[View details](#)

### ONLINE PAYMENT METHODS

1stdibs accepts the following payment methods





**DIMENSIONS**

Height	2.5"
Diameter	5"
Canopy/Backplate/Base	5"
Fixture Weight	2 lbs.

**ELECTRICAL SPECS**

Bulb Type	Integral LED
Bulb Quantity	1
Bulb Included?	Yes
Wattage	10
Initial Lumens	1040
Input Voltage	120VAC
CCT	3000K
CRI	90
Power Supply Type	Driver
Power Supply Quantity	1
Power Supply Location	Outlet Box
Dimming Type	TRIAC/ELV

**SHIPPING**

Carton 1 L x W x H	9" x 9" x 6"
Carton 1 GW	3 lbs.

**SHADE 1**

Quantity	1
Color	Clear
Material	Clear Polycarbonate
Height	0.75"

**AVAILABLE FINISHES**

Textured Bronze (.72)
Textured Gray (.74)
Textured White (.98)

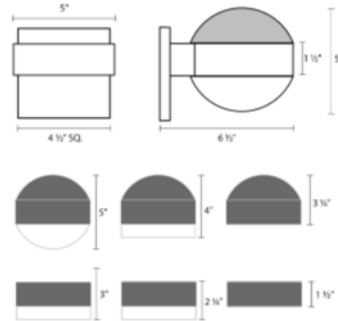
**GENERAL LISTINGS**

cETL
cUL
Wet Location

**PROJECT**

**QUANTITY**

**NOTES**



**DIMENSIONS**

Height	2.5"
Width	5"
Extension	6.5"
Minimum Extension	6.5"
Maximum Extension	6.5"
Fixture Weight	3 lbs.

**ELECTRICAL SPECS**

Bulb Type	Integral LED
Bulb Quantity	1
Bulb Included?	Yes
Wattage	10
Initial Lumens	1040
Input Voltage	120VAC
CCT	3000K
CRI	90
Power Supply Type	Driver
Power Supply Quantity	1
Power Supply Location	Outlet Box
Dimming Type	TRIAC/ELV

**SHIPPING**

Carton 1 L x W x H	9" x 10" x 9"
Carton 1 GW	4 lbs.

**SHADE 1**

Quantity	1
Color	Clear
Material	Clear Polycarbonate
Height	0.75"

**AVAILABLE FINISHES**

Textured Bronze (.72)
Textured Gray (.74)
Textured White (.98)

**GENERAL LISTINGS**

cETL
cUL
Wet Location

**PROJECT**

**QUANTITY**

**NOTES**



*No project is complete  
without it!*



True high end custom wood carriage  
and traditional style overhead garage doors built per order.  
Save time, money and get a more consistent look  
in your project by getting all your products  
from the same manufacturer.

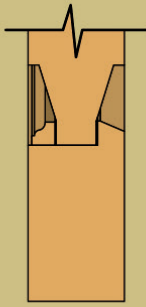


**BELISLE**  
ARCHITECTURAL WINDOWS AND DOORS

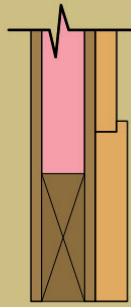


A  
**NATURAL  
CHOICE**

**THE OVERHEAD GARAGE DOOR**



**SOLID WOOD**  
2 1/4" thick, Solid wood, in Western Red Cedar, White Oak, Douglas fir and Mahogany. Raised, flat or "V" groove panels available.



**INSULATED CORE**  
2 1/4" thick, Veneer sub-frame with foam insulated core, Unlimited design laminated at exterior, in Western Red Cedar, White Oak, Douglas fir and Mahogany. Flat or "V" groove panels available.

**COMPONENTS**



**LEGEND**

- 1 Shaft and spring
- 2 Rail
- 3 Door opener
- 4 Ball bearing hinge
- 5 Meeting rail
- 6 Flexible bottom seal
- 7 Weather-stripping
- 8 Glass insert

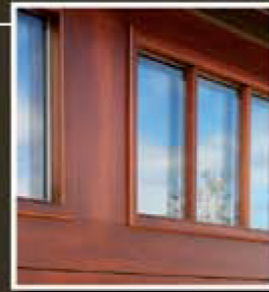


**BELISLE**  
ARCHITECTURAL WINDOWS AND DOORS

56, rue Gauvin Est  
Saint-Jean-de-Dieu (Québec)  
CANADA G0L 3M0

Tel.: 1 866 851-5113 (toll free)  
Fax: 1 418 963-2200  
Cell: 1 418 851-5113

Printed in Canada / Imprimé au Canada 05/10



**GLASS & MUNTINS**

Custom glass inserts available, Lowe + argon double insulated glass, 3/8" SDL or 1 1/4" TDL muntins, there is no limitations in the design, shape, and type of glass to use.

**DOOR OPENER**

European-engineered and built to surpass the highest garage door system standards in the industry. The soft start/soft stop system from Garaga guarantees years of silent, smooth and trouble-free operation.



**DECORATIVE HARDWARE**

The decorative hardware from Garaga reproduces the effect of forged iron hinges and handles found on traditional carriage house doors. It adds a touch of refinement that has maintained its charm over the years.



**OPTIONS**

Take your Belisle overhead garage door to another level. Add Wood jambs, weather-stripping cover to match the door, and decorative mouldings around the panels. We can even pre-finish your door prior to assembly in our state of the art paint shop.



HARDWARE AND ACCESSORIES BY





WOOD TILES

September 2018

## BEAUTY, LONGEVITY AND EXCEPTIONAL VALUE

### BISON WOOD TILES

Bison Wood Tiles offer the design flexibility to create versatile, unique outdoor spaces. Commercial grade, responsibly harvested, hardwood tiles weather well, and are available in standard and FSC® Certified species.

- Commercial Grade
- Species Include: Bamboo, Cumaru, Garapa, Ipê, Mahogany, and Massaranduba
- Exclusive Bison FS-1 Fastening Kit & Continuous Kerf Cut Design\* allows easy tile attachment, removal, and replacement
- Modular sizes 2' x 2', 4' x 2', 6' x 2', 8' x 2', and 30" x 30"
  - Pedestals to be spaced on a 2' grid for all Bison Wood Tile sizes\*
- Custom sizes available
- FSC Certified (SCS-COC-002585) species available
- Full System Warranty with Bison Pedestals
- Bison Ipê Wood Tile Systems Meet:
  - ASTM E108-07a Class A Fire Rating
  - ASTM C1028-07 Slip Resistance
  - ASTM TAS108-95 Wind Uplift
  - Seismic Design Categories (SDC) A-F



\*Bison 30" x 30" Wood Tiles installed on a 30" grid.

Copyright 2018 United Construction Products, Inc. All Rights Reserved.

BISON INNOVATIVE PRODUCTS | 701 OSAGE STREET, BLDG 2, UNIT 120 DENVER, CO 80204 USA | 800-333-4234 | WWW.BISONIP.COM



## Installation

Bison recommends the use of Bison Pedestals and the FS-1 Fastening Kit<sup>†</sup> when installing Bison Wood Tiles. The Bison Pedestal/Wood Tile System installs quickly, securely, and allows single tile removal after installation, if needed. The FS-1, available exclusively from Bison, fastens wood tiles to the pedestals without penetrating or damaging the wood. Place the FS-1 washer between the bottom rail of the tile and the upper slat. Screw the long FS-1 screw through the FS-1 washer, into the center hole of the tab set and into the pedestal. Make sure that the washer secures all corners of the wood tiles and then tighten. To remove a wood tile, use a screwdriver to loosen the long screw and rotate the washer to release the wood tile.

## Testing

Bison Ipê Wood Tiles meet or exceed these standards.

Note: Customer to verify acceptable uses for each project according to the presiding building code authority. All products to be installed per the most recent Bison Innovative Products specifications at the time of installation.

Environmental	FSC Certification	Call for Available Species
Slip Resistance	ASTM C1028	SCOF Dry .90 and Wet .72
Solar Reflective Indices	ASTM E 1980-11	45 (Average) New 36 (Average) Weathered One Year
Solar Reflectance	ASTM C1549-09	0.321 New 0.403 Weathered One Year
Hemispherical Emittance	ASTM C1371-04a	0.894 New 0.925 Weathered One Year
Wind Uplift on Pedestals	FBC TAS-108	Aerodynamic Multiplier
Seismic	ICC ES AC-156	For use in Seismic Zones A-F with Bison Seismic System & Installation Guidelines
Fire – Flame Spread	ASTM E108-07a	Class A
Fire – Smoke Spread	ASTM E-84-08A	Class B
Fire – SF WUI Under-Flame Test	SFA 12-7-A-4 Part A	Pass
Concentrated Load on Pedestals	ICC ES AC300-2010	1250 lbs/psf FoS:3
Uniform Load on Pedestals	ICC ES AC300-2010	1250 lbs/psf FoS:3
Installation Temperature	NRCA Standard	40° F and above
Max. Bison Pedestal Height	Bison	36" with Bison Bracing System

<sup>†</sup> US #8,302,356 Patent and Patents Pending



## Sourcing

Bison ensures that the tropical hardwoods used in all our wood tile products are harvested from sustainable sources. Bison Wood Tiles are constructed from premium grade remnants from the flooring and furniture industries that comply with strict regulations regarding extraction, milling, and transport. All Bison Wood Tiles meet the IBAMA (Brazilian Institute of Environment and Renewable Resources) requirements that show Proof of Origin and Legal Harvesting. Bison Wood Tiles also comply with US Lacey Act requirements.





## Ipê Wood Tiles



Model: WT-IPE-24-SMOOTH  
 WT-IPE-24-RIBBED  
 WT-IPE-3030-10-SMOOTH

Fire Rating: Class A\*

Species: Ipê

Color: Brown\*\*

Janka Hardness Rating: 3,680 lbs.

Dimensions: 23.875" x 23.875" x 1.69"  
 29.875" X 29.875" X 1.69"

Weight: 24 lbs. / 34 lbs.

Weight PSF: 6 PSF / 5.4 PSF

Bison Continuous Kerf<sup>©</sup>  
 cut design\*\*\*



Model: WT-IPE-48

Fire Rating: Class A\*

Species: Ipê

Surface: Smooth or Ribbed

Color: Brown\*\*

Janka Hardness Rating: 3,680 lbs.

Dimensions: 47.9375" x 23.875" x 1.69"

Weight: 48 lbs.

Weight PSF: 6 PSF

Bison Continuous Kerf<sup>©</sup>  
 cut design\*\*\*

\*Meets and Exceeds ASTM E108-07a Class A Spread of Flame Test.

\*\*Wood tile colors may differ than pictured and change without notice.

\*\*\*Patent Pending.

### FEATURED MODEL

518168 Bar Bowl, 8" bowl depth

### FEATURES

- Required outside cabinet: 21"
- 18 gauge, 304 series stainless steel
- Premium 18/10 chrome/nickel content
- Satin Finish
- Rear drain placement
- Sound deadening pads

### OPTIONAL ACCESSORIES

Stainless Steel Sink Grid: 223200

### CODE/STANDARDS COMPLIANCE

ASME 112.19.3-00  
IAPMO/UPC listed

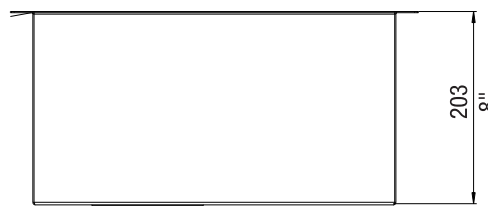
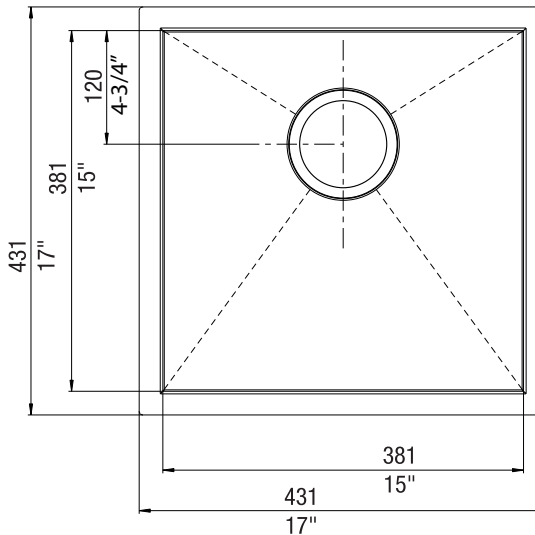


### NOMINAL DIMENSIONS

Model 518168 shown

OVERALL	CUT OUT SIZE	BOWL DEPTH	DRAIN
17" x 17"	Template provided with approximate 1/8" reveal	8"	3-1/2"

DXF cutout templates available on our website.



### WARRANTY

Blanco America's Stainless Steel sinks feature a LIMITED LIFETIME WARRANTY to be free of all manufacturing defects under normal use. See our complete warranty for details.

While Blanco America endeavors to provide accurate information, all dimensions are nominal, cannot be guaranteed, and are subject to change or cancellation. Blanco America assumes no responsibility for use of superseded or voided specifications.

### JOB INFORMATION

Job Name: \_\_\_\_\_

Contact: \_\_\_\_\_

Date Specified: \_\_\_\_\_

Specifier: \_\_\_\_\_

Contractor: \_\_\_\_\_

### BLANCO AMERICA

800.451.5782

www.blancoamerica.com

© 2013 BLANCO AMERICA

7/13

SPEC-003



MOM FRIENDLY. DAD READY.™



## **User Manual / Installation Instructions**

Outdoor Gooseneck Pull Down Faucet (LPFK)



# IMPORTANT SAFETY INSTRUCTIONS

**CAUTION:** Ensure all water lines to the faucet are shut down before beginning any work. Make sure you READ and UNDERSTAND these instructions BEFORE installation. If you have any questions or concerns prior to, or during service, please call Customer Care/ Tech. Support at 888-289-5969, Mon.– Fri. 6AM to 4:30PM, and Saturdays from 8AM to 1PM Pacific Time.

This product is designed for indoor or outdoor installation. Improper installation, adjustment, alteration, service or maintenance can cause personal or property damage and may void the warranty. Read this manual thoroughly before installation, use or service.

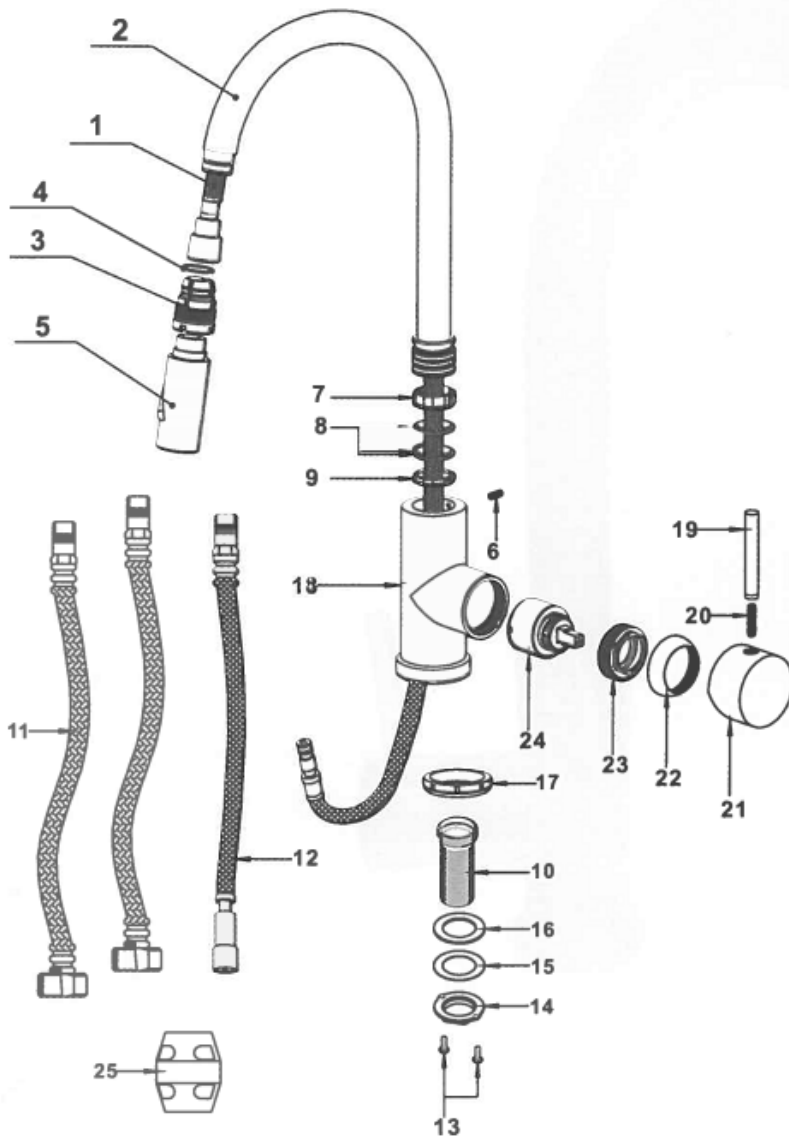
Philips head screwdriver, a small rag and gloves are recommended.



## IF SHIPMENT ARRIVED DAMAGED:

1. **VISIBLE LOSS OR DAMAGE:** Be certain this is noted on freight bill or express receipt and signed by person making the delivery.
2. **FILE CLAIM FOR DAMAGES IMMEDIATELY,** regardless of extent of damage.
3. **CONCEALED LOSS OR DAMAGE:** If damage is unnoticed until merchandise is unpacked, notify transportation company or carrier immediately and file a “concealed damage” claim with them. This should be done within (15) days of date delivery is made to you. Be sure to retain container for inspection. We cannot assume responsibility for damage or loss incurred in transit.

# Replacement Parts LPFK



- 1 Hose
- 2 Spout
- 3 Plastic cover
- 4 O-ring
- 5 Sprayer
- 6 Set screw
- 7 Sleeve
- 8 O-rings
- 9 Sleeve
- 10 Extension pipe
- 11 Hot & cold water lines
- 12 Quick-connection hose
- 13 Screws
- 14 Locking nut
- 15 Metal washer
- 16 Rubber washer
- 17 Rubber washer
- 18 Faucet body
- 19 Handle lever
- 20 Set screw
- 21 Handle body
- 22 Cartridge cover
- 23 Locking nut
- 24 Cartridge
- 25 Weight

UC-24RO



## FEATURES

Controls temperature within one degree of setpoint

Locks in cold air to ensure freshness with magnetic door seals

Control brightness of interior

Clean shelves easily with adjustable spill-proof glass shelving

Locate items quickly with utility bins

## ACCESSORIES

Dual Installation Kit

Accessories are available through an authorized dealer.  
For local dealer information, visit [subzero-wolf.com/locator](http://subzero-wolf.com/locator).



## PRODUCT DETAILS

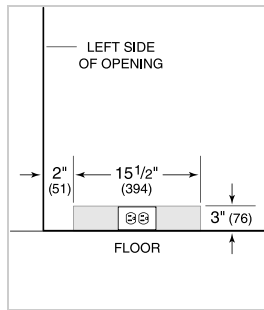
### REFRIGERATOR

- 3 glass shelves (2 adjustable; 1 stationary)
- 3 door bins
- 1 storage bin

**PRODUCT SPECIFICATIONS**

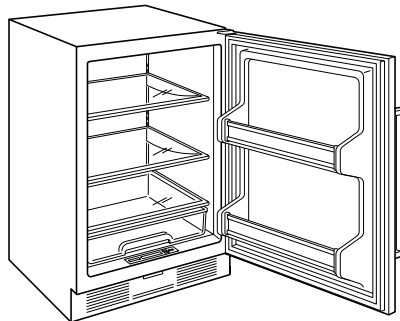
Model	UC-24RO
Dimensions	23 7/8"W x 34"H x 24"D
Door Clearance	25 3/8"
Weight	130 lbs
Refrigerator Capacity	5.7 cu. ft.
Electrical Supply	115 VAC, 60 Hz
Electrical Service	15 amp dedicated circuit
Receptacle	3-prong grounding-type, GFCI

**ELECTRICAL**



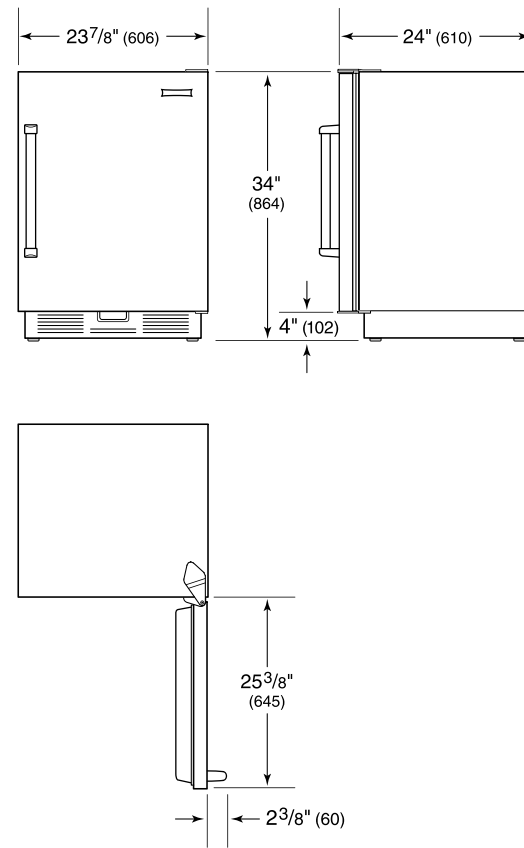
NOTE: Dimensions in parenthesis are in millimeters unless otherwise specified

**INTERIOR VIEW**

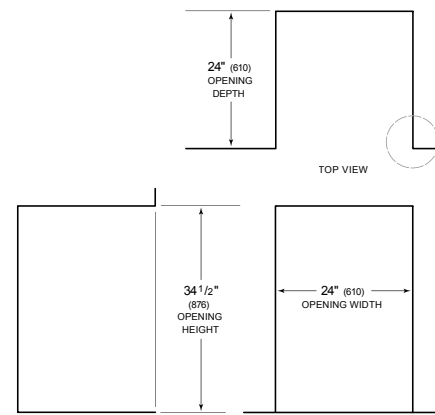


This illustration is intended for interior reference only and may not represent the exterior of the model being specified.

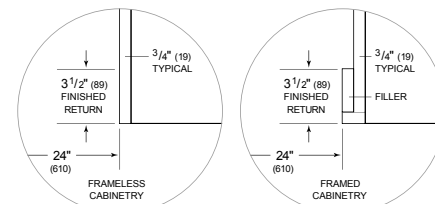
**DIMENSIONS**



**STANDARD INSTALLATION**



NOTE: 3 1/2" (89) finished returns will be visible and should be finished to match cabin





## STANDARD FEATURES

# HESTAN

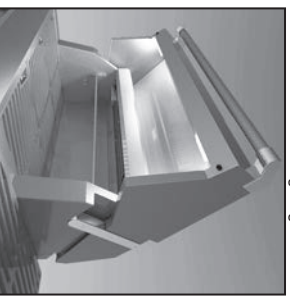
## BUILT-IN GRILLS

- Available in 30", 36", and 42" widths
- Horizon Hood™ with spring-assisted hinges to hold at desired heights\*
- Motion activated Stadium Lights™ with halogen under-hood lighting\*
- Multi-purpose built-in ceramic infrared rotisserie / searing / finishing burner\* from 12,000 to 18,000 Btu/hour (depending on model) with simple touch on function
- Patented high performance 321SS tubular Trellis Burner™ at 25,000 Btu/hour each
- Patented 5/16" thick stainless steel DiamondCut Grates™ lasered in-house
- High performance variable ceramic infrared sear burner at 25,000 Btu/hour each



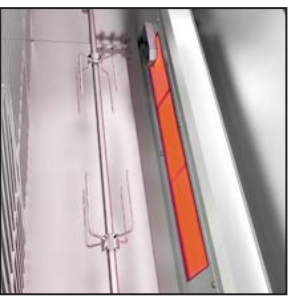
Laser Cut Stainless Steel Grate – 5/16" thick

- Symmetrical flip to clean radiant tray with monogrammed ceramic briquettes\*
- 519 square inch total grilling surface for 30" model. 647 square inch total grilling surface for 36" model. 774 square inch total grilling surface for 42" model.
- Warming rack - 189 square inches for the 30", 236 square inches for the 36" and 282 square inches for the 42" unit.
- Concealed chain driven whisper quiet rotisserie motor system with a single speed, 6 rpm, 50 in-lbs motor



Under-Hood Lighting

- Marquise™ accented control panel and hood handle with commercial grade end caps
- 1/4" thick stainless steel DiamondCut Grates™ warming rack, lasered in-house with 3 vertical positions. Concealed storage when not in use.
- Split shelf warming rack (42" model only) features an upper shelf position for browning and melting under the infrared rotisserie burner, and a lower shelf position to keep food warm.
- Hot surface ignition system with lighting assist function
- Lifetime warranty on welded body, DiamondCut Grates™ and warming racks, Trellis Burner™, variable sear burners, and rotisserie burner

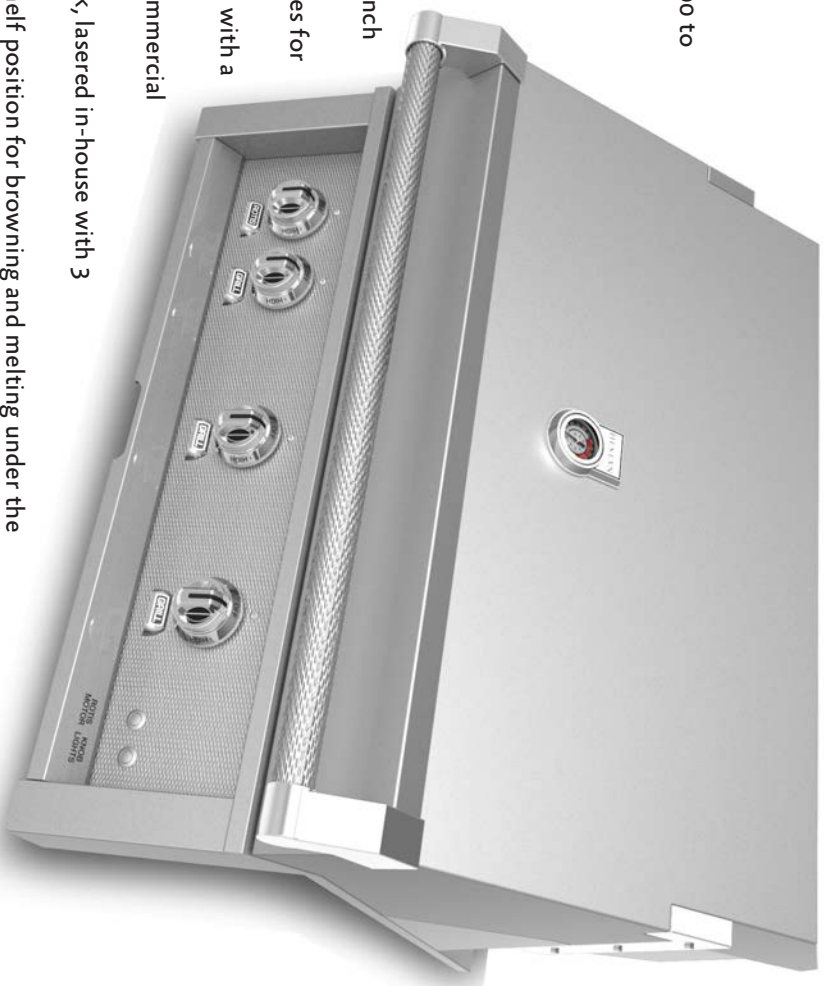


Multi-Purpose Ceramic Infrared Rotisserie



Split Shelf (42" model only)

- Infinite position monogrammed removable smoker and handle for wood chips or smoker pellets
- Heavy gauge welded body construction
- LED front control panel lighting with simple touch on function
- Monogrammed temperature gauge with cooking zone markings
- Stainless steel removable drip tray for ease of cleaning
- Patented Zamak die-cast knobs, burner indicators and bezels
- Porcelain broiling pan with stainless steel rotisserie spit and forks

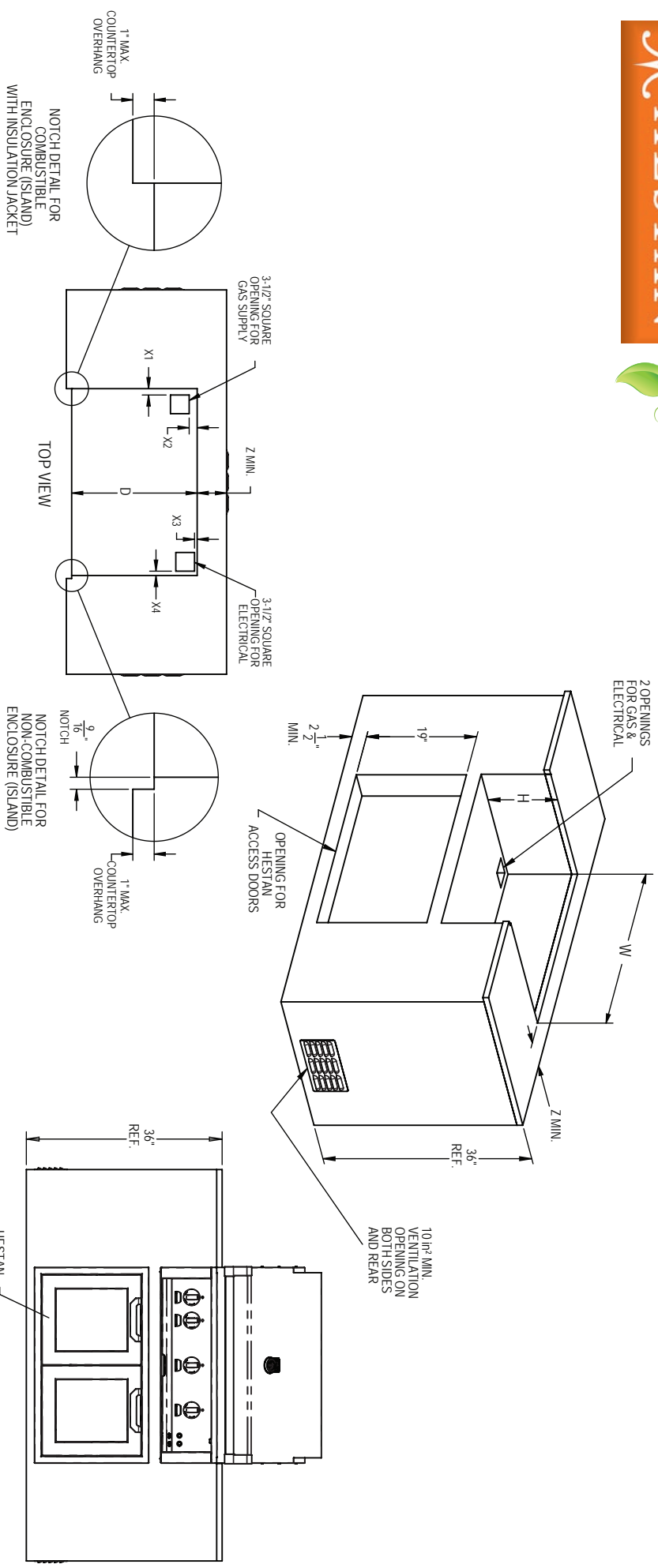


36" Model Shown

## OPTIONS & ACCESSORIES

- Natural Gas (NG) or Liquid Propane (LP)
- Twelve (12) Hestan signature color finishes
- Carbon Fiber Vinyl Cover
- Gas conversion kits (NG/LP)
- Variable Sear Burner conversion kit
- Trellis Burner™ conversion kit
- High altitude kit

\* = patent pending



**GAS REQUIREMENTS :** 1/2" NPT gas connection. Minimum gas supply is 7/8" water column for natural gas and 1 1/8" for propane. Operating pressure at the manifold is 4" water column for natural gas and 10" for propane. All units require a regulated gas supply. (included)

**ELECTRICAL REQUIREMENTS :** 120V, 60Hz, 6 amps

**INSULATED JACKETS**

Model Number	Description	W (in.)	D (in.)	H (in.)	X1 (in.)	X2 (in.)	X3 (in.)	X4 (in.)	Z (in.)
ACIj30	Insulated jacket, 30"	35	25-1/8	12-13/16	4-3/16	3-1/8	1-1/2	3-13/16	3-7/8
ACIj36	Insulated jacket, 36"	41	25-1/8	12-13/16	4-3/16	3-1/8	1-1/2	3-13/16	3-7/8
ACIj42	Insulated jacket, 42"	47	25-1/8	12-13/16	4-3/16	3-1/8	1-1/2	3-13/16	3-7/8

**Cutout Dimensions**

W (in.)	D (in.)	H (in.)	X1 (in.)	X2 (in.)	X3 (in.)	X4 (in.)	Z (in.)	Total Btu's
29	23-1/2	11-1/2	1-3/16	1-1/2	1/4	13/16	5-1/2	62000
35	23-1/2	11-1/2	1-3/16	1-1/2	1/4	13/16	5-1/2	89000
41	23-1/2	11-1/2	1-3/16	1-1/2	1/4	13/16	5-1/2	118000

Hestan Outdoor products are approved for outdoor use only. Hestan Commercial Corporation reserves the right to change materials and specifications without notice. Specify type of gas when ordering.



**Built - In Models**

Model	Description	W (in.)	D (in.)	H (in.)	X1 (in.)	X2 (in.)	X3 (in.)	X4 (in.)	Z (in.)	Total Btu's
G_BR30-NC / -LP	30" Grill Built-in	29	23-1/2	11-1/2	1-3/16	1-1/2	1/4	13/16	5-1/2	62000
G_BR36-NC / -LP	36" Grill Built-in	35	23-1/2	11-1/2	1-3/16	1-1/2	1/4	13/16	5-1/2	89000
G_BR42-NC / -LP	42" Grill Built-in	41	23-1/2	11-1/2	1-3/16	1-1/2	1/4	13/16	5-1/2	118000

— specify burner configuration    A= all Trellis Burners    M= Sear and Trellis Burners    S= all Sear Burners

	<p><b>BK Lighting</b>  <i>Yacht Star Outdoor LED Path/Step Light</i>                  Fixture: YS-LED-e68-BSW                  Power Supply: TR150-120</p>	<p><b>TYPE</b></p> <p><b>F11</b></p>
---	--	--------------------------------------

# YACHT STAR™

YS



**MATERIAL**



**FOR USE WITH**



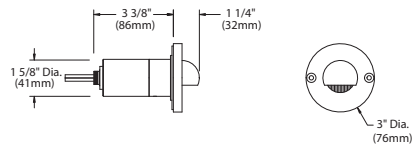
"Simple yet elegant, the Yacht Star™ has exceeded expectations when lighting stairways and seating walls. Our clients have been thrilled and so have we. When I think of landscape lighting B-K is on the top of my list."

*Eric Dorsch, Wesley Stout Associates, LLC, BKU Fall 2013*

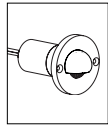
B-K LIGHTING | ARCHITECTURAL RECESSED



Shown in Bronze Satin (BZP) finish



	<p><b>BK Lighting</b>  <i>Yacht Star Outdoor LED Path/Step Light</i>                  Fixture: YS-LED-e68-BSW                  Power Supply: TR150-120</p>	<p><b>TYPE</b></p> <p><b>F11</b></p>
---	--	--------------------------------------







the power of 

**Core Drill Installation Instructions**

**YS™ / YSL™ / CH™ / CHL™**  
**Solid State LED - Core Drill**



<b>TOOLS &amp; MATERIALS NEEDED:</b>		5/64" Allen Wrench
		Drill with 2" Core Drill Bit
		Waterproof Wire Connectors
		Mounting Hardware
<b>By Others</b>		

**INSTRUCTIONS PERTAINING TO A RISK OF FIRE, OR INJURY TO PERSONS IMPORTANT SAFETY INSTRUCTIONS**

**Lighted fixture is HOT!**  
**WARNING - To reduce the risk of FIRE OR INJURY TO PERSONS:**  
 Turn off/unplug and allow to cool before replacing LED. Fixture gets HOT quickly! Contact only switch/plug when turning on. Do not touch hot lens, guard, or enclosure. Keep fixture away from materials that may burn. Do not operate the luminaire fitting with a missing or damaged shield. Do not touch the source at any time. Use a soft cloth or gloves. Oil from skin may cause damage.  
**SAVE THESE INSTRUCTIONS**

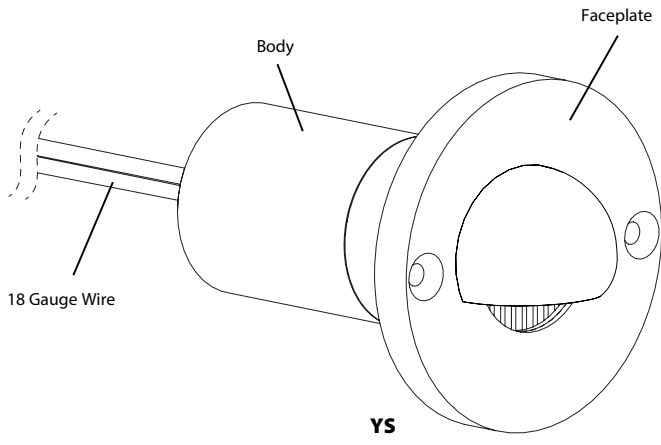
**IMPORTANT SAFETY INFORMATION - READ, FOLLOW, AND SAVE ALL SAFETY AND INSTALLATION INSTRUCTIONS**

- Product must be installed by a qualified person in a manner consistent with its intended use and in compliance with the National Electrical Code, Canadian Electrical Code, and all Local and Provincial Codes.
- Follow product label information and instructions.
- Qualified Personnel with appropriate personal protective equipment must perform all servicing of this product.
- Before wiring to power supply and during servicing, turn off and lock out power at fuse or circuit breaker before service.
- The use of accessory equipment not recommended by the manufacturer or installed contrary to instructions may cause an unsafe condition. The use of damaged components may cause an unsafe condition and void product warranty.
- Do not block light emanating from product in whole or part, as this may cause an unsafe condition.
- Never operate the fixture with missing or damaged lens. Lens must be cleaned on regular basis.
- Entire fixture may become extremely hot. Do not touch hot lens or fixture body.
- Replace LED assembly only with correct wattage and type of power supply appropriate for LED assembly.
- All gaskets, o-rings and sealing surfaces must be kept clean during installation and service; failure to do this may cause an unsafe condition and void product warranty.

**IMPORTANT LISTINGS AND CERTIFICATIONS**

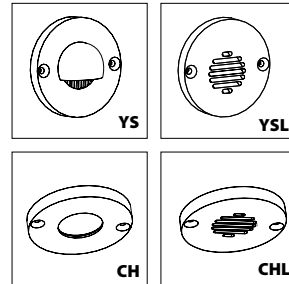
• Suitable for wet location • Additionally suitable for mounting within 4 ft. of the ground • Type Non-IC

Please refer to the low voltage design guide at [www.bklighting.com/lvguide](http://www.bklighting.com/lvguide) before installation for proper wire selection.



**This set of instructions works for:**

- YS** - Yacht Star™
- YSL** - Louvered Yacht Star™
- CH** - Chart Star™
- CHL** - Louvered Chart Star™



**IMPORTANT SAFETY INFORMATION - READ, FOLLOW, AND SAVE THESE INSTALLATION INSTRUCTIONS**

<p><b>B-K LIGHTING</b></p>	<p>40429 Brickyard Drive • Madera, CA 93636 • USA                  559.438.5800 • FAX 559.438.5900  <a href="http://www.bklighting.com">www.bklighting.com</a> • <a href="mailto:info@bklighting.com">info@bklighting.com</a></p>	<p>RELEASED 3-9-17</p>	<p>REFERENCE NUMBER INS000926</p>
----------------------------	---	----------------------------	---------------------------------------

THIS DOCUMENT CONTAINS PROPRIETARY INFORMATION OF B-K LIGHTING, INC. AND ITS RECEIPT OR POSSESSION DOES NOT CONVEY ANY RIGHTS TO REPRODUCE, DISCLOSE ITS CONTENTS, OR TO MANUFACTURE, USE OR SELL ANYTHING IT MAY DESCRIBE. REPRODUCTION, DISCLOSURE OR USE WITHOUT SPECIFIC WRITTEN AUTHORIZATION OF B-K LIGHTING, INC. IS STRICTLY FORBIDDEN.





# P L A N T E R W O R K C O N T R A C T



**STANDARD PLANTER**  
DIMENSIONS VARY | PRODUCT IS MADE TO ORDER

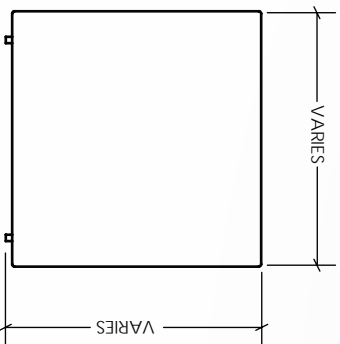
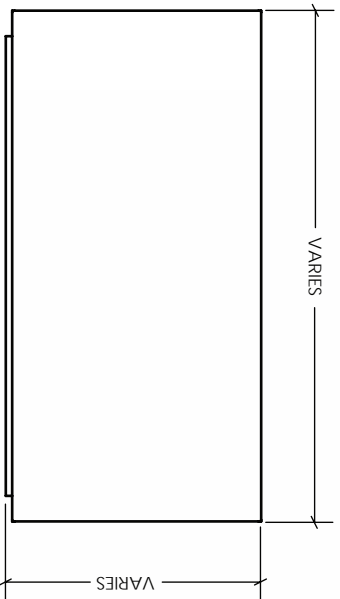
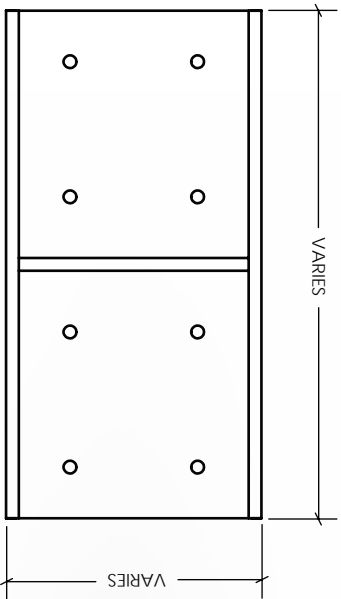
MANUFACTURED FROM:  
.125" ASTM A240 STAINLESS STEEL  
T-304 (T-316L BY REQUEST),  
.125" CORTEN STEEL ASTM A588  
OR .125" ALUMINUM ASTM B-209, 5052 ALLOY  
WITH A POLYESTER BASED ARCHITECTURAL/MARINE  
GRADE POWDER COAT FINISH

AVAILABLE IN STANDARD FINISHES OR IN ANY RAL COLOR

P L A N T E R W O R K 9 8 7 E S S E X S T B R O O K L Y N N Y 1 1 2 0 8  
T 7 1 8 . 9 6 3 . 0 5 6 4 F 7 1 8 . 9 6 3 . 0 5 6 5  
P L A N T E R W O R K . C O M



# PLANTER WORKX CONTRACT



**STANDARD PLANTER**  
DIMENSIONS VARY | PRODUCT IS MADE TO ORDER

MANUFACTURED FROM:  
.125" ASTM A240 STAINLESS STEEL  
T-304 (T-316L BY REQUEST),  
.125" CORTEN STEEL ASTM A588  
OR .125" ALUMINUM ASTM B-209, 5052 ALLOY  
WITH A POLYESTER BASED ARCHITECTURAL/MARINE  
GRADE POWDER COAT FINISH  
AVAILABLE IN STANDARD FINISHES OR IN ANY RAL COLOR

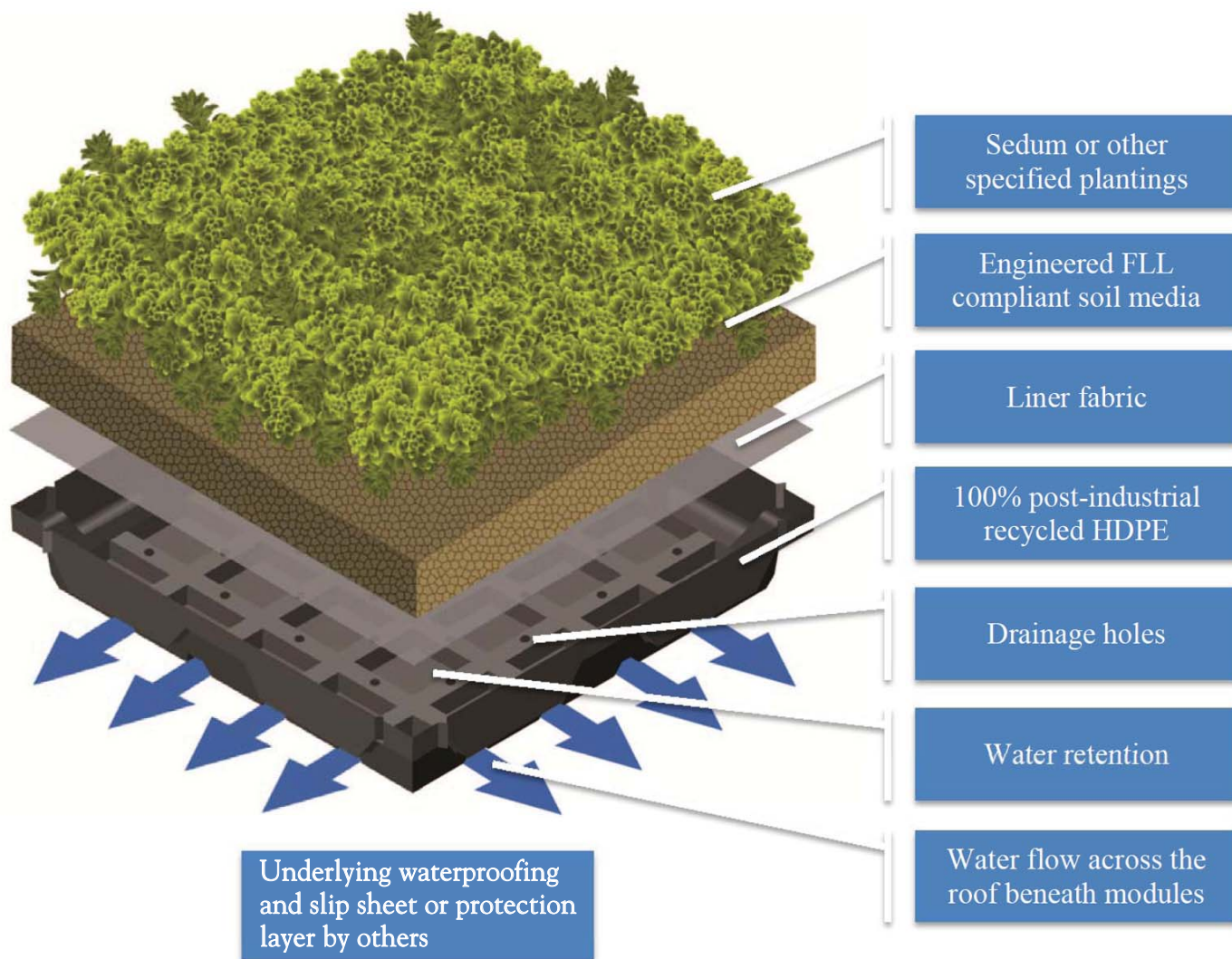
PLANTER WORKX 987 ESSEX ST BROOKLYN NY 11208  
T 718.963.0564 F 718.963.0565  
PLANTERWORKX.COM

# GreenGrid® Submittal:

## G4 System Cutaway



The GreenGrid® G4 Green Roof System incorporates all of the various components of a multi-layer green roof system into a simple, self-contained module. The key components are detailed below.



GreenGrid and ABC Supply Co., Inc., are trademarks of American Builders & Contractors Supply Co., Inc. The GreenGrid® System is a proprietary technology of ABC Supply Co. WESTON is the exclusive licensee of the GreenGrid® System in the U.S. and Canada. All GreenGrid® projects in the United States and Canada are performed by Weston Solutions, Inc., or its designees pursuant to such license.

U.S. Patents: 6,711,851 | 6,862,842 | 7,900,397 | 7,997,027 – Canadian Patents: 2,416,457 | 2,418,262 | 2,416,463 - Additional U.S. and international patents pending

# The New Seamless GreenGrid Modular Vegetative Green Roof System



## The 4th Generation GreenGrid® Module Has Arrived

These new zero-edged modules are the 4th generation of GreenGrid®, keeping the functionality of the original modular green roof system, but adding a more aesthetic zero-edge design, enhanced design versatility, and maximized stormwater retention.

Unlike hybrid /subterranean modular systems and traditional layered systems, G4 modules can be easily accessed and removed to perform maintenance or repairs to the underlying roof without damaging the vegetation. Additionally, G4 modules are specifically designed to maximize stormwater control, featuring deeper built-in reservoirs for additional stormwater retention.

GreenGrid offers versatility and design flexibility, with modules available in three different depths for a variety of planting options. Modules can be pre-grown at our nurseries to meet plant coverage specifications up to 95% and delivered to the job site to create an instant mature green roof. This translates to a successful green roof with less up-front maintenance, plus a beautiful look from day one. In addition, GreenGrid modules can be custom cut with curves or angles.



[www.GreenGridRoofs.com](http://www.GreenGridRoofs.com)

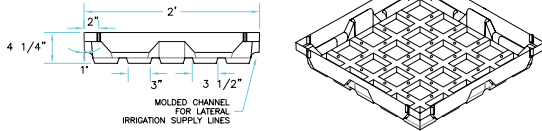


*The Trusted Integrator for Sustainable Solutions*

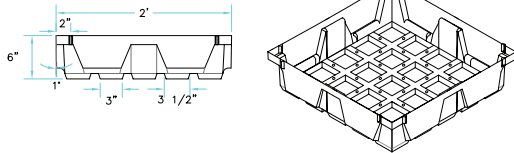
GreenGrid and ABC Supply Co., Inc., are trademarks of American Builders & Contractors Supply Co., Inc. The GreenGrid® System is a proprietary technology of ABC Supply Co. WESTON is the exclusive licensee of the GreenGrid® System in the U.S. and Canada. All GreenGrid® projects in the United States and Canada are performed by Weston Solutions, Inc., or its designees pursuant to such license.

U.S. Patents: 6,711,851 | 6,862,842 | 7,900,397 | 7,997,027 | 8,132,365 | 8,555,545  
Canadian Patents: 2,416,457 | 2,418,262 | 2,416,463 – Japanese Patent: 4,885,407  
Additional U.S. and international patents pending

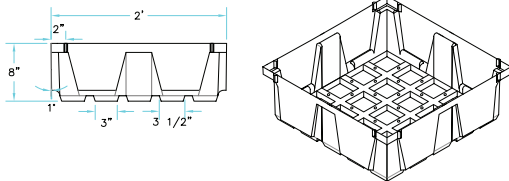
GreenGrid Extensive (4.25-inch)



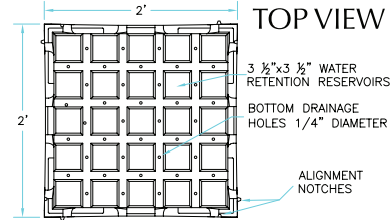
GreenGrid Semi-Intensive (6-inch)



GreenGrid Intensive (8-inch)



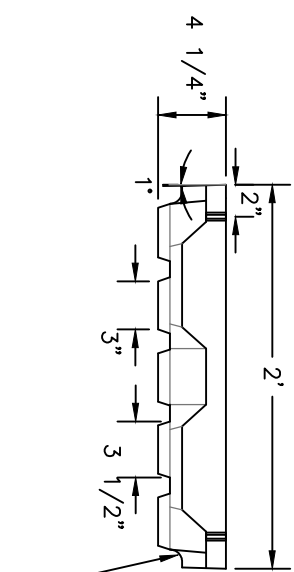
Pre-Vegetated 4.25-inch Module



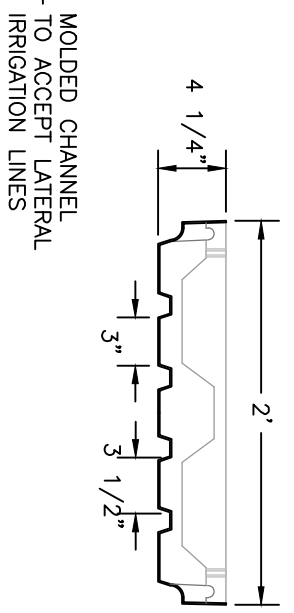
GreenGrid Component	Specification Description and Notes			
G4 System Modules	Dimensions (W x L)		Depth (D)	
	Standard Units	SI Units	Standard Units	SI Units
Extensive	24 in. x 24 in. [OD ± 1/8 in.]	60.96 cm x 60.96 cm [OD ± 0.318 cm]	4.25 in.	10.80 cm
Semi-Intensive			6.0 in.	15.24 cm
Intensive			8.0 in.	29.32 cm
Weight Range	Approximate Minimum <sup>Note 1</sup>		Approximate Maximum <sup>Note1</sup>	
Extensive	26 lbs/sf	126.9 kg/m <sup>2</sup>	30 lbs/sf	146.5 kg/m <sup>2</sup>
Semi-Intensive	39 lbs/sf	190.4 kg/m <sup>2</sup>	44 lbs/sf	214.8 kg/m <sup>2</sup>
Intensive	52 lbs/sf	253.9 kg/m <sup>2</sup>	58 lbs/sf	283.2 kg/m <sup>2</sup>
Drainage Clearance	3/4 in.	1.91 cm	All size modules	
Module Material	Wall Thickness		100% pre-consumer high molecular weight polyethylene. Protected with UV inhibitors and stabilizers (20 year warranty standard)	
Extensive	0.187 in. [187 mil]	4.75 mm		
Semi-Intensive	0.200 in. [200 mil]	5.08 mm		
Intensive	0.225 in. [225 mil]	5.72 mm		
Module Color	Black [custom colors available upon request]			
Filter Layer	Spunbonded polypropylene geotextile			
Growing Medium	Proprietary engineered blend of organic and inorganic components. Blended to satisfy FLL guidelines. Custom blends available to meet project-specific needs [e.g., weight, water holding capacity, etc.].			
Vegetation	Succulent groundcovers, conventional perennials and grasses, and/or native forbs and grasses. Consult Weston GreenGrid horticulturists for specific recommendations.			
Typical Underlayment	New or existing single-ply EPDM, TPO, PVC, BUR, or hot/cold fluid applied membranes. Contact selected waterproofing system manufacturer for specific requirements and/or materials compatibility.			
Module Connectors	Nylon/Plastic panel fasteners or zip ties. 1/4 in. (0.64 cm) drill hole diameter required.			
Irrigation Systems	Proprietary system designed based on project-specific requirements.			

**Note 1:** All weights are presented with growing media at maximum water-holding capacity. Conservative estimates for vegetation and module weight per SF have been included in above weight ranges. Weights may vary based on requirements for project-specific vegetation selections and variations in regional materials incorporated into engineered growing media. Consult GreenGrid representative for further information.

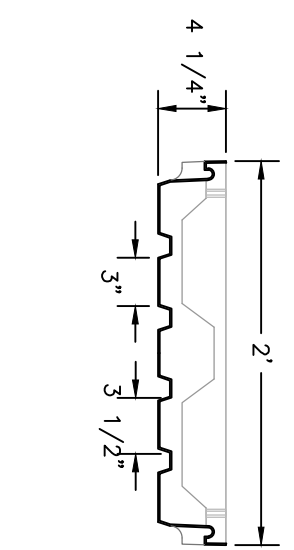
**Local contacts are available on our Web site [www.GreenGridRoofs.com](http://www.GreenGridRoofs.com) or contact our headquarters office at 888-404-4743**



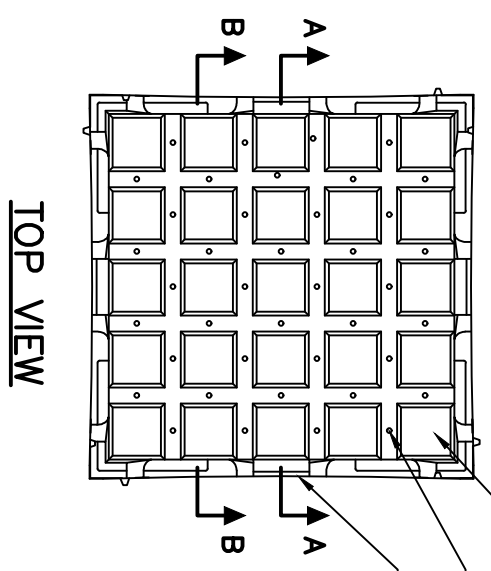
**SIDE VIEW**



**CROSS SECTION A-A**

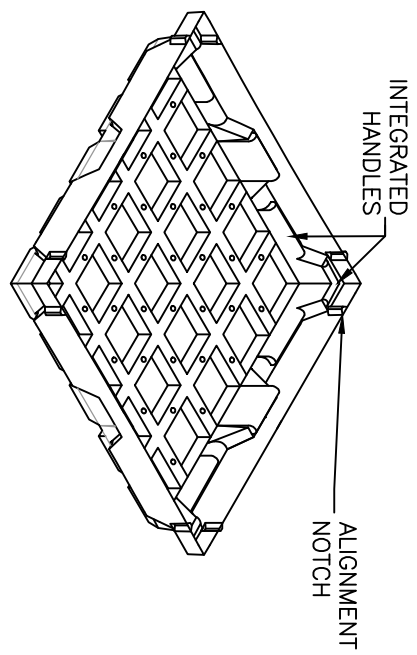


**CROSS SECTION B-B**



**TOP VIEW**

3" x 3 1/2" WATER RETENTION RESERVOIRS (3/4" DEPTH)  
 BOTTOM DRAINAGE HOLES 1/4" DIAMETER  
 INTEGRATED HANDLES



**ISOMETRIC VIEW**

U.S. Patents: 6,711,851 | 6,862,842 | 7,900,397 | 8,555,545  
 Canadian Patents: 2,416,457 | 2,418,262 | 2,416,463  
 Additional U.S. and international patents pending



Weston Solutions, Inc.  
 & GreenGrid  
 124 Hebron Ave., Suite 3B  
 Glastonbury, CT 06033  
 888-404-4743

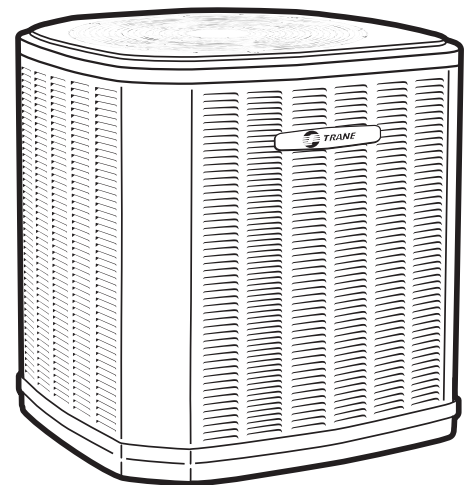
GREENGRID G4 MODULE DESIGN  
 2' x 2' x 4.25" MODULE



# Submittal

## Split System Cooling

4TTR6061C1000A

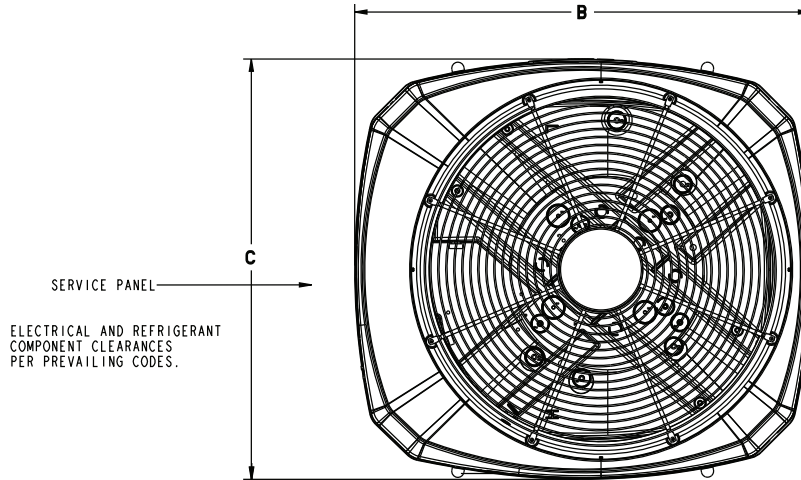


*Note: "Graphics in this document are for representation only. Actual model may differ in appearance."*

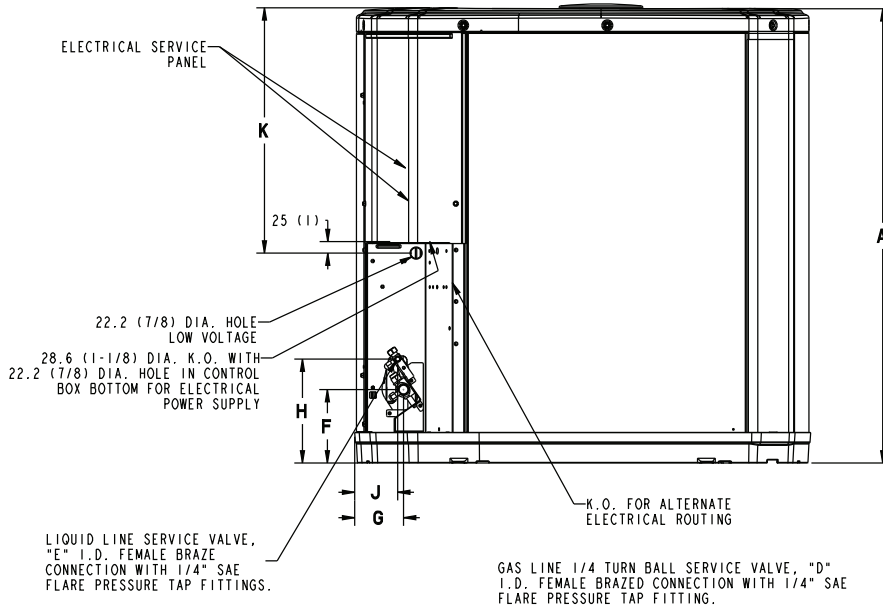
TAG: \_\_\_\_\_

### **⚠ SAFETY WARNING**

Only qualified personnel should install and service the equipment. The installation, starting up, and servicing of heating, ventilating, and air-conditioning equipment can be hazardous and requires specific knowledge and training. Improperly installed, adjusted or altered equipment by an unqualified person could result in death or serious injury. When working on the equipment, observe all precautions in the literature and on the tags, stickers, and labels that are attached to the equipment.



TOP DISCHARGE AREA SHOULD BE UNRESTRICTED FOR AT LEAST 1524 (5 FEET) ABOVE UNIT. UNIT SHOULD BE PLACED SO ROOF RUN-OFF WATER DOES NOT POUR DIRECTLY ON UNIT, AND SHOULD BE AT LEAST 305 (12") FROM WALL AND ALL SURROUNDING SHRUBBERY ON TWO SIDES. OTHER TWO SIDES UNRESTRICTED.



Model	Base	A	B	C	D	E	F	G	H	J	K
4TTR6061C	4	1147 (45-1/8)	946 (37-1/4)	870 (34-1/4)	7/8	3/8	152 (6)	98 (3-7/8)	219 (8-5/8)	86 (3-3/8)	813 (32)

SOUND POWER LEVEL									
Model	A-Weighted Sound Power Level [dB(A)]	Full Octave Sound Power [dB]							
		63 Hz*	125 Hz	250 Hz	500 Hz	1000 Hz	2000 Hz	4000 Hz	8000 Hz
4TTR6061C	74	68	56	63	73	69	64	59	51

Note: Rated in accordance with AHRI Standard 270-2008 \*For Reference Only





# Product Specifications

<b>OUTDOOR UNIT</b> <sup>(a)</sup> <sup>(b)</sup>	4TTR6061C1000A
POWER CONNS. — V/PH/HZ <sup>(c)</sup>	208/230/1/60
MIN. BRCH. CIR. AMPACITY	32
BR. CIR. PROT. RTG. — MAX. (AMPS)	50
<b>COMPRESSOR</b>	CLIMATUFF®-SCROLL
NO. USED — NO. STAGES	1 — 1
VOLTS/PH/HZ	208/230/1/60
R.L. AMPS <sup>(d)</sup> — L.R. AMPS	23.7 — 152.5
FACTORY INSTALLED	
START COMPONENTS <sup>(e)</sup>	NO (Uses BAYKSKT263)
INSULATION/SOUND BLANKET	NO
COMPRESSOR HEAT	NO
<b>OUTDOOR FAN</b>	PROPELLER
DIA. (IN.) — NO. USED	27.6 — 1
TYPE DRIVE — NO. SPEEDS	DIRECT — 1
CFM @ 0.0 IN. W.G. <sup>(f)</sup>	5400
NO. MOTORS — HP	1 — 1/3
MOTOR SPEED R.P.M.	850
VOLTS/PH/HZ	200/230/1/60
F.L. AMPS	2.80
<b>OUTDOOR COIL — TYPE</b>	SPINE FIN™
ROWS — F.P.I.	1 — 24
FACE AREA (SQ. FT.)	30.79
TUBE SIZE (IN.)	3/8
<b>REFRIGERANT</b>	
LBS. — R-410A (O.D. UNIT) <sup>(g)</sup>	10 LBS., 15 OZ
FACTORY SUPPLIED	YES
LINE SIZE — IN. O.D. GAS <sup>(h)</sup> <sup>(i)</sup>	1-1/8
LINE SIZE — IN. O.D. LIQ.	3/8
<b>CHARGING SPECIFICATIONS</b>	
SUBCOOLING	10°F
<b>DIMENSIONS</b>	H X W X D
CRATED (IN.)	51 x 35.1 x 38.7
<b>WEIGHT</b>	
SHIPPING (LBS.)	317
NET (LBS.)	280

- (a) Certified in accordance with the Air-Source Unitary Air-conditioner Equipment certification program, which is based on AHRI standard 210/240.
- (b) Rated in accordance with AHRI standard 270.
- (c) Calculated in accordance with Natl. Elec. Codes. Use only HACR circuit breakers or fuses.
- (d) This value shown for compressor RLA on the unit nameplate and on this specification sheet is used to compute minimum branch circuit ampacity and max. fuse size. The value shown is the branch circuit selection current.
- (e) No means no start components. Yes means quick start kit components. PTC means positive temperature coefficient starter. Optional kit shown.
- (f) Standard Air — Dry Coil — Outdoor
- (g) This value approximate. For more precise value see unit nameplate.
- (h) For standard, recommended linear length and lift applications, see the Subcool Charging Chart on page 5. For greater lengths and other applications, consult refrigerant piping software Pub. No. 32-3312-xx (xx denotes latest revision).
- (i) Trane outdoor condensing units are factory charged with the system charge required for the outdoor condensing unit and 15 feet of tested connecting lines. If connecting line length exceeds 15 feet, then final refrigerant charge adjustment is necessary. Each additional foot over 15 feet requires 0.6 lbs of refrigerant. See the Installer's Guide for full charging instructions.



# Mechanical Specification Options

## General

The Outdoor Units are fully charged from the factory for up to 15 feet of piping. This unit is designed to operate at outdoor ambient temperatures as high as 115°F. Cooling capacities are matched with a wide selection of air handlers and furnace coils that are AHRI certified. The unit is certified to UL 1995. Exterior is designed for outdoor application.

## Casing

Unit casing is constructed of heavy gauge, galvanized steel and painted with a weather-resistant powder paint finish on all louvered panels and the fan top panel. The corner panels are pre-painted. All panels are subjected to our 1,000 hour salt spray test. The base is made of a CMBP-G30 weatherproof material to resist corrosion.

## Refrigerant Controls

Refrigeration system controls include condenser fan, compressor contactor and high pressure switch. High and low pressure controls are inherent to the compressor. A factory supplied liquid line drier is standard. Some models may require field installation.

## Compressor

The compressor features internal over temperature, pressure protection and total dipped hermetic motor. Other features include: Centrifugal oil pump and low vibration and noise.

## Condenser Coil

The outdoor coil provides low airflow resistance and efficient heat transfer. The coil is protected on all four sides by louvered panels.

## Low Ambient Cooling

As manufactured, this system has a cooling capacity to 55°F. The addition of an evaporator defrost control permits operation to 40°F. The addition of an evaporator defrost control with TXV permits low ambient cooling to 30°F.

**Thermostats**—Cooling only and heat/cooling (manual and automatic change over). Sub-base to match thermostat and locking thermostat cover.

**Evaporator Defrost Control** — See Low Ambient Cooling.



Trane optimizes the performance of homes and buildings around the world. A business of Ingersoll Rand, the leader in creating and sustaining safe, comfortable and energy efficient environments, Trane offers a broad portfolio of advanced controls and HVAC systems, comprehensive building services, and parts. For more information, visit [www.Trane.com](http://www.Trane.com).

Trane has a policy of continuous product and product data improvements and reserves the right to change design and specifications without notice.

©2015 Trane  
4TTR6061C-SUB-1A-EN 01 Oct 2015  
Supersedes (New)



## SUBMITTAL DATA: PKA-A30KA4 & PUY-A30NHA4 (-BS)

30,000 BTU/H WALL-MOUNTED AIR-CONDITIONING SYSTEM

Job Name:	Location:	Date:
Purchaser:	Engineer:	
Submitted to:	For <input type="checkbox"/> Reference <input type="checkbox"/> Approval <input type="checkbox"/> Construction	
System Designation:	Schedule No.:	



Indoor Unit: PKA-A30KA4



Outdoor Unit: PUY-A30NHA4 (-BS)

### GENERAL FEATURES

- Wall-mounted indoor unit for residential and commercial applications
- Shiny-white—exterior plastic; compact design
- Quiet operation—both indoor and outdoor units
- Self-check function—integrated diagnostics
- Limited warranty: five years parts and seven years compressors

### UNIT OPTION

- Standard Model.....PUY-A30NHA4
- Sea Coast (BS) Model.....PUY-A30NHA4-BS

### OPTIONAL ACCESSORIES

#### Indoor Unit

- Mini Condensate Pump (SI1730-230, 230V)
- L-Connector Pipe (PAC-SC84PI; for left side unit piping installation)

#### Outdoor Unit

- Drain Pan (PAC-SG63DP)
- Drain Socket (PAC-SG61DS)
- Three-pole Disconnect Switch (TAZ-MS303)
- Wind Baffle (WB-PA2)
- Air Outlet Guide (PAC-SG59SG)
- Mounting Base (DSD-400N)
- Mounting Pad (ULTRILITE2)
- Wall-mounting Brackets (CWMB1)

#### Controller Options

- Wireless Wall-mounted Remote Controller Kit (MHK1)\*
  - Portable Controller (MCCH1)\*
  - Outdoor Air Sensor (MOS1)\*
- \*See Submittal for information on each option.
- Wired Wall-mounted Controller (PAR-21MAAU)
  - M-NET Adapter (PAC-SF81MA)
  - CN51 Connector for Multiple Remote Controller Adapters/Duct Fan Controller (PAC-725AD)
  - CN32 Connector for Remote On/Off (PAC-715AD)
  - Remote Temperature Sensor (PAC-SE41TS)
  - Remote Operation Adapter - Display and On/Off (PAC-SF40RM)
  - Hand-held Wireless Remote Controller (PAR-FL32MA; req. PAR-FA32MA-E)
  - Wireless Signal Receiver Module (PAR-FA32MA-E)
  - Lockdown Bracket for Hand-held Controller (RCMKP1CB)
  - Control/Service Tool (PAC-SK52ST)

### SEACOAST PROTECTION

- External Outer Panel: Phosphate coating + Acrylic-Enamel coating
- Fan Motor Support: Epoxy resin coating (at edge face)
- Separator Assembly ; Valve Bed: Epoxy resin coating (at edge face)
- Screws (used outer side): Zinc nickel coating 5µm + Polyvinylidene chloride coating

**"Blue Fin" treatment is an anti-corrosion treatment that is applied to the condenser coil to protect it against airborne contaminants..**



# SPECIFICATIONS : PKA-A30KA4 & PUY-A30NHA4 (-BS)

### Cooling\*

Rated Capacity ..... 30,000 Btu/h  
 Minimum Capacity ..... 12,000 Btu/h  
 SEER ..... 15.5 Btu/h/W  
 EER ..... 7.3 Btu/h/W  
 Total Input ..... 4,130 W

### \* Rating Conditions per AHRI Standard

Cooling | Indoor: 80° F (27° C) DB / 67° F (19° C) WB  
 Cooling | Outdoor: 95° F (35° C) DB / 75° F (24° C) WB

### Electrical Requirements

Power Supply ..... 208 / 230V, 1-Phase, 60 Hz  
 Recommended Fuse/Breaker Size ..... 30 A

### Voltage

Indoor - Outdoor S1-S2 ..... AC 208 / 230V  
 Indoor - Outdoor S2-S3 ..... DC ±24V

### OPERATING CONDITIONS

		Indoor Intake Air Temp.	Outdoor Intake Air Temp.
Cooling	Maximum	95° F (35° C) DB 71° F (22° C) WB	115° F (46° C) DB
	Minimum	67° F (19° C) DB 57° F (14° C) WB	0° F** (-18° C) DB

\*\* With optional wind baffle accessory installed. If not installed, the minimum temperature will be 23° F (-5° C) DB.

### Indoor Unit

MCA ..... 1 A  
 Blower Motor (ECM) ..... 0.36 F.L.A.  
 Blower Motor Output ..... 56 W  
 Airflow (Lo - Mid - Hi) ..... 635 - 705 - 775 Dry CFM  
 570 - 635 - 700 Wet CFM  
 Air Filter ..... Polypropylene Honeycomb  
 Sound Pressure Level (Lo - Mid - Hi) ..... 39 - 42 - 45 dB(A)  
 SHF ..... 0.70  
 Moisture Removal ..... 8.1 pt./h

DIMENSIONS	UNIT INCHES / MM
W	46-1/16 / 1,170
D	11-5/8 / 295
H	14-3/8 / 365

Weight ..... 46 lbs. / 21 kg  
 External Finish ..... Munsell No. 1.0Y 9.2 / 0.2  
 Field Drainpipe Size O.D. .... 5/8" / 16 mm

### Outdoor Unit

Compressor ..... DC Inverter-driven Twin Rotary  
 MCA ..... 25 A  
 MOCP ..... 40 A  
 Fan Motor (ECM) ..... 0.75 F.L.A.  
 Sound Pressure Level  
 Cooling ..... 48 dB(A)

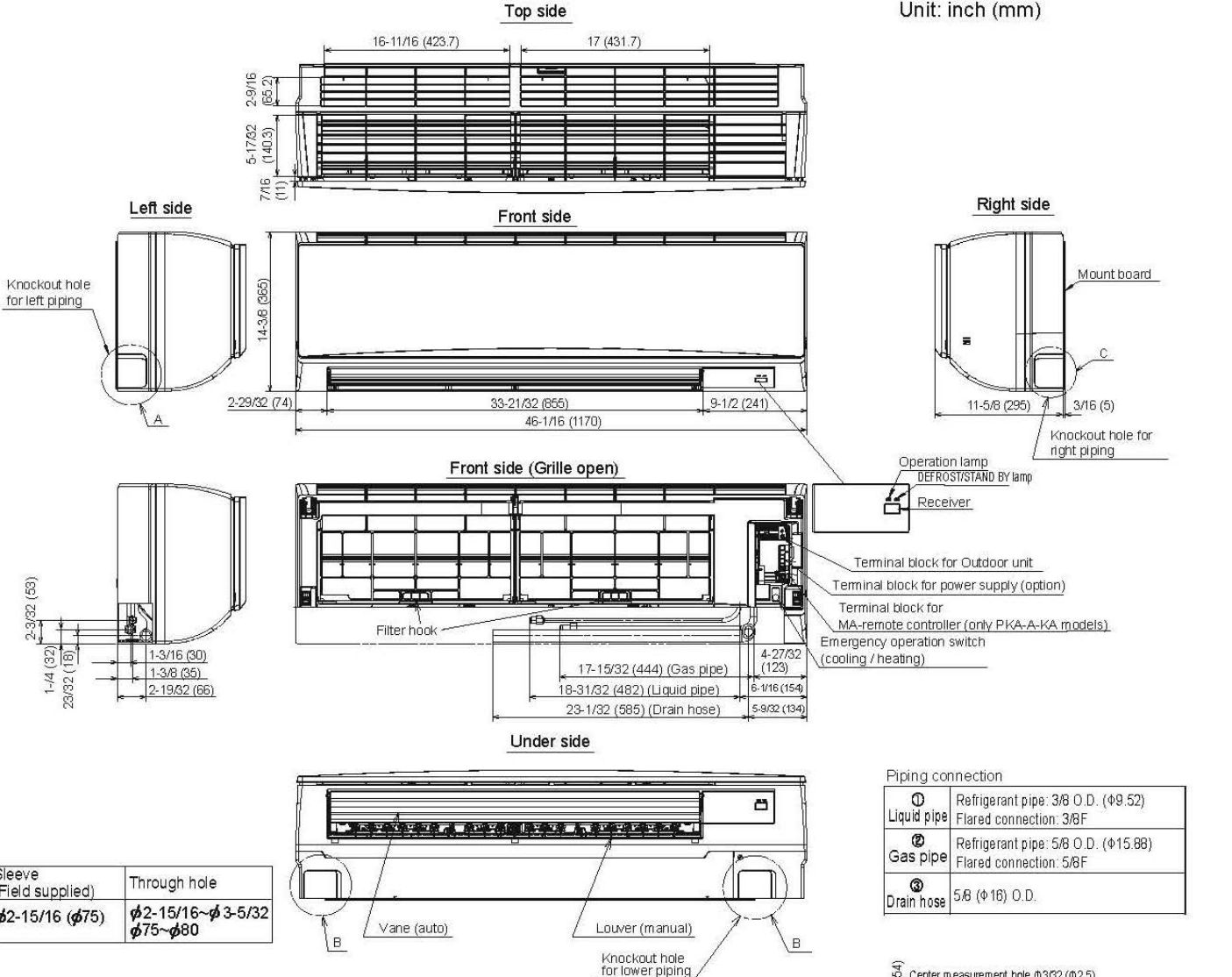
DIMENSIONS	INCHES / MM
W	37-3/8 / 950
D	13 + 1-3/16 / 330 + 30
H	37-1/8 / 943

Weight ..... 163 lbs. / 74 kg  
 External Finish ..... Munsell No. 3Y 7.8 / 1.1  
 Refrigerant Type ..... R410A  
 Refrigerant Pipe Size O.D.  
 Gas Side ..... 5/8" / 15.88 mm  
 Liquid Side ..... 3/8" / 9.52 mm  
 Max. Refrigerant Pipe Length ..... 165' / 50 m  
 Max. Refrigerant Pipe Height Difference ..... 100' / 30 m  
 Connection Method ..... Flared

Notes:

# DIMENSIONS: PKA-A30KA4

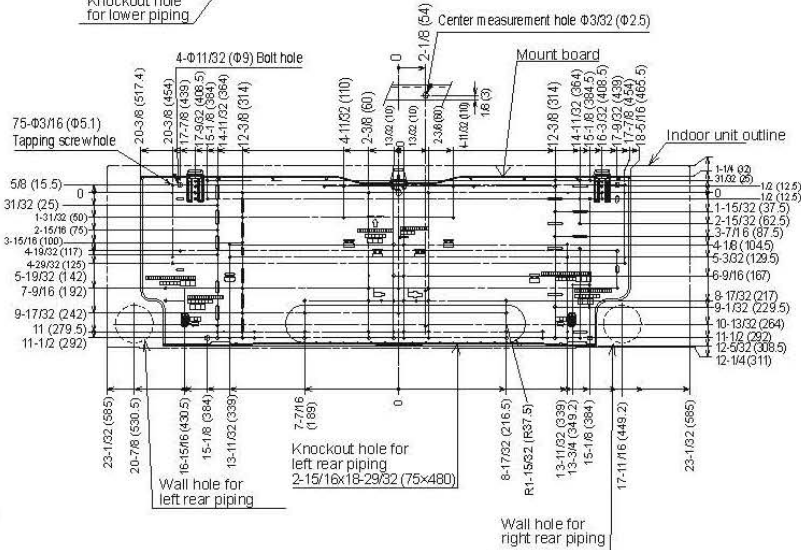
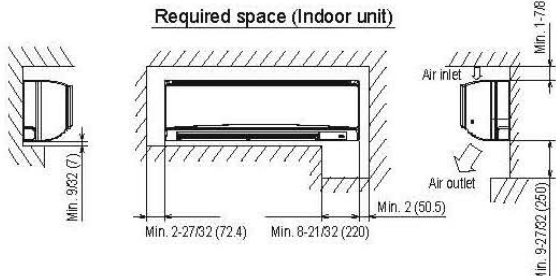
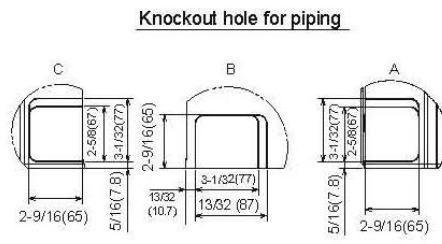
Unit: inch (mm)



**Piping connection**

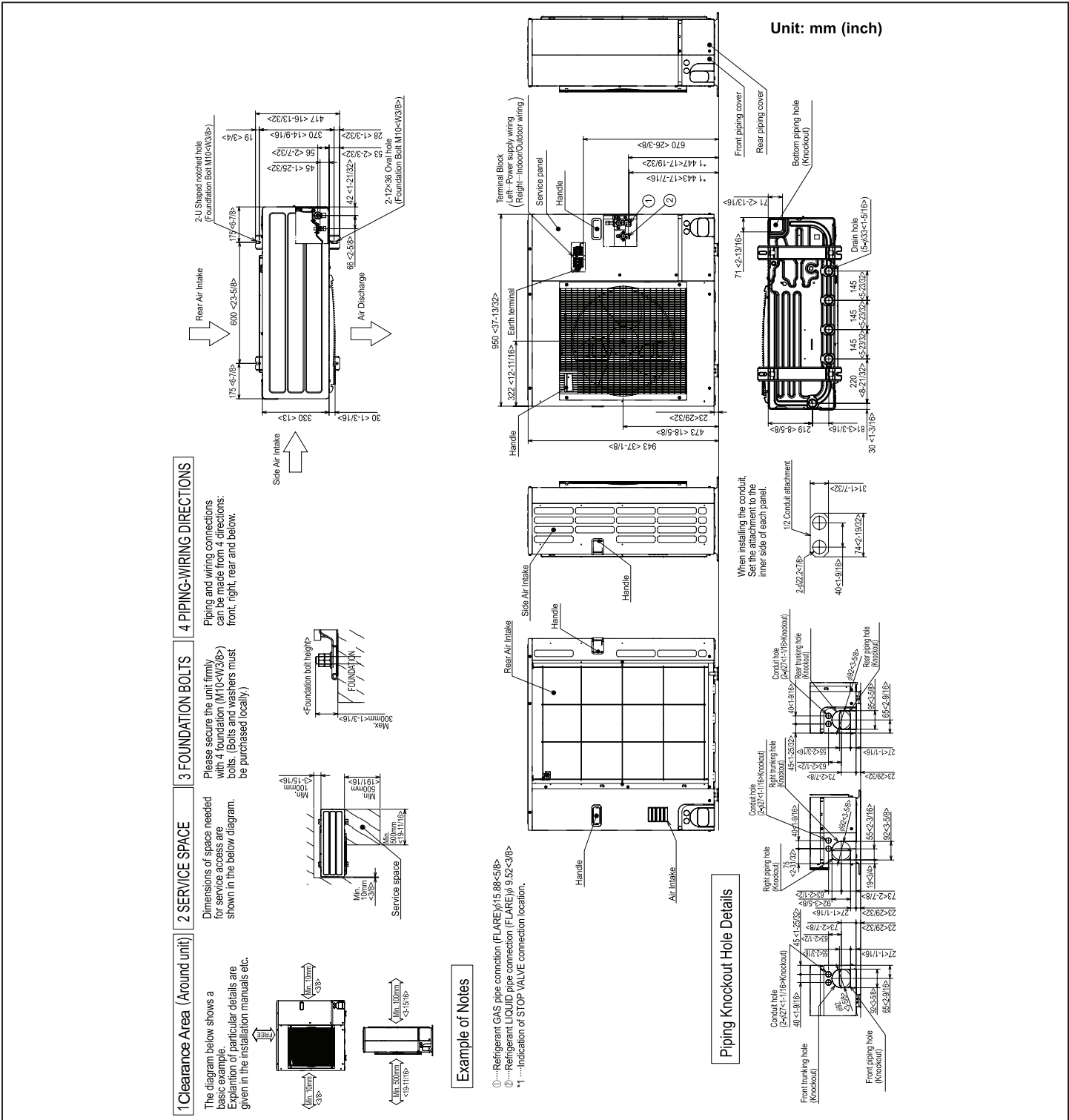
①	Refrigerant pipe: 3/8 O.D. (Φ9.52)
Liquid pipe	Flared connection: 3/8F
②	Refrigerant pipe: 5/8 O.D. (Φ15.88)
Gas pipe	Flared connection: 5/8F
③	Drain hose: 5/8 (Φ16) O.D.

Sleeve (Field supplied)	Through hole
Φ2-15/16 (Φ75)	Φ2-15/16~Φ3-5/32 Φ75~Φ80



Specifications are subject to change without notice.  
© 2013 Mitsubishi Electric US, Inc.

# DIMENSIONS: PUY-A30NHA4 (-BS)

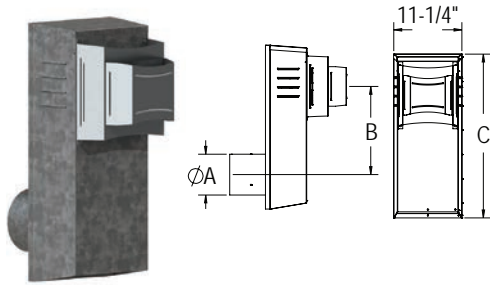


**Intertek**



3400 Lawrenceville Suwanee Rd  
Suwanee, GA 30024  
Tele: 678-376-2900 • Fax: 800-889-9904  
Toll Free: 800-433-4822  
www.mehvac.com

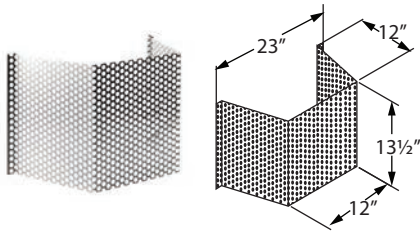
### Snorkel H2 Termination Cap



Use for horizontal through-the-wall termination when a vertical rise is desired in the system to meet appliance manufacturer recommended minimum heights. Do not enclose in the wall or install below grade. Provides improved performance in high wind conditions. Features an adjustable air intake and interchangeable shroud (shroud is included and required for all installations). Check with appliance manufacturer for approval and air throttle setting. Patent Pending.

SIZE	ORDER #	STOCK #	A	B	C
4" x 6 5/8"	46DVA-H2-SNK14	810012915	6 3/4"	14 1/2"	27"
4" x 6 5/8"	46DVA-H2-SNK36	810012916	6 3/4"	37"	49 1/2"
5" x 8"	58DVA-H2-SNK14	810012917	8 1/8"	15"	28"
5" x 8"	58DVA-H2-SNK36	810012918	8 1/8"	37 1/2"	50 1/2"

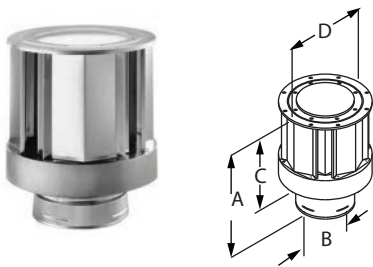
### Horizontal Windguard



Use with through-the-wall termination cap where high winds are present. Also use as a safety heat shield to prevent children or others from coming into contact with the vent termination cap. Fits both 4" x 6 5/8" and 5" x 8" terminations.

SIZE	ORDER #	STOCK #
4" x 6 5/8" & 5" x 8"	46DVA-WG	810001357

### High-Wind Termination Cap



Use for vertical terminations only. Provides improved performance in high wind conditions. For vertical terminations only. Available in aluminum.

SIZE	ORDER #	STOCK #	A	B	C	D
4" x 6 5/8"	46DVA-VCH	810001359	12 3/8"	6 5/8"	7 5/8"	10 1/2"
5" x 8"	58DVA-VCH	810001432	12 3/8"	8"	7 5/8"	10 1/2"