

## 68 Beacon Street Security Camera Project

We currently have 2 cameras.

1. Southwest corner of building facing north towards Charles St.
2. Northeast corner of building facing towards building rear.

In light of recently being tagged by graffiti in 7 places on River Street side of the building and being asked fairly regularly by investigative authorities for footage, we would like to upgrade the 2 existing cameras and add 2 additional cameras.

The existing cameras are not high definition and fairly useless. We feel the upgrade is long overdue and will provide better surveillance for the busy intersection of Beacon and Charles Streets.

There will be no additional conduit run on the outside of the building.

The cameras will be mounted on an electrical box as is the existing camera in photo 1.





Northwest corner  
River Street  
New camera  
Facing south





Existing camera  
text  
on Beacon Street



FRIENDS OF THE PUBLIC GARDEN

FRIENDS AT  
WORK

BE INFORMED  
BE INSPIRED  
BE INVOLVED


TODAY



69







Northeast corner  
Charles Street  
Existing camera

New camera under  
Balcony  
Pointed south



# LOREX<sup>®</sup>

## 4K ULTRA HIGH DEFINITION IP BULLET SECURITY CAMERA



### SEE IT ALL IN 4K RESOLUTION



View superior 4K Ultra HD resolution video with 4x the detail of 1080p. Featuring the latest in professional grade video technology ensuring clear identification, indoors and outdoors. Introducing industry leading H.265 compression, offering significant bandwidth and video storage capacity over older compression technologies.

#### FEATURES:

- Ultra HD 4K image sensor delivers 4x the detail of 1080p<sup>1</sup>
- 4K video recording provides ultra HD quality even when zoomed, offering clearer identification in video evidence
- Color Night Vision™ delivers full color nighttime video for improved recognition of objects in low light conditions<sup>2</sup>
- IR night vision range up to 130ft (40m) in ambient lighting and 90ft (27m) in total darkness<sup>3</sup>
- ClearNight imaging for improved low light performance and improved recording efficiency
- H.265 offers significant bandwidth and video storage savings over older compression technologies, extending the amount of video stored on the hard drive<sup>4</sup>
- Intelligent compression saves recording space by optimizing video performance based on available bandwidth
- Wide angle 88° field of view (horizontal)
- Ceiling / wall mountable
- Simple camera installation using a single CAT5e cable with Power over Ethernet (PoE)
- 100ft (30m) CAT5e cable included per camera
- Extend the camera's video and power with a single Ethernet cable up to 300ft (91m) from the recorder
- Single-screw bracket adjustment for faster installation
- Cold climate capability (-22°F / -30°C)
- Weatherproof metal housing for outdoor & indoor installation (IP66 Rated)<sup>5</sup>

**4K** Ultra High Definition

**88°** Field of View

**130/90**<sub>FT</sub>  
**40/27**<sub>M</sub> Night Vision

Indoor/outdoor

LNB8111 Series

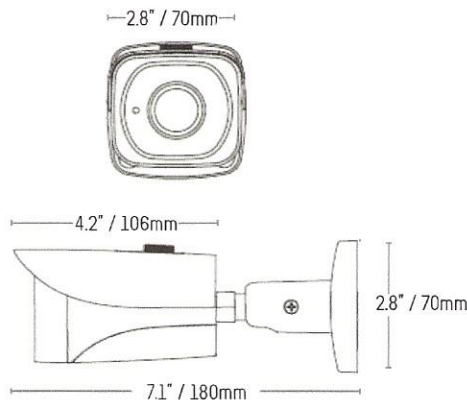
[www.lorex.com](http://www.lorex.com)



## Product Information

Model	LNB8111B
Configuration	4K Ultra HD IP Bullet Security Camera
Package	Brown Box
Package Dimensions (W × D × H)	15.9 × 5.7 × 4.5" 403 × 144 × 114mm
Package Weight	3.3lbs / 1.4kg
Package Cube	0.2cbf / 0.005cbm
UPC	6-95529-01044-1
Contents	1× 4K Ultra HD IR IP Bullet Camera, 1× 100ft (30m) CAT5e Ethernet Cable, 1× Mounting Kit, Quick Setup Guides

## Dimensions



## Disclaimers

- Compatible with the Lorex HD LNR600 Series NVR only. For the most up-to-date list of compatible recorders, visit [www.lorex.com/compatibility](http://www.lorex.com/compatibility)
- Full color nighttime video typically switches to black & white IR night vision below 1 lux to ensure optimal low-light image quality.
- Stated IR illumination range is based on ideal conditions in typical outdoor night time ambient lighting and in total darkness. Actual range and image clarity depends on installation location, viewing area, and light reflection / absorption level of object. In low light, the camera will switch to black and white.
- You must connect the camera to a supporting H.265 NVR to take advantage of H.265 compression. For instructions on enabling H.265 compression, visit [www.lorex.com/support](http://www.lorex.com/support)
- Not intended for submersion in water. Installation in a sheltered location recommended.

## Specifications

Image Sensor	1/2.5" 8MP <sup>1</sup>
Video Format	NTSC
Compression:	H.265/H.264 <sup>4</sup>
Effective Pixels	H: 3840 × V: 2160
Resolution	8MP/4K (3840x2160) @ 15fps
Scan System	Progressive
Sync System	Internal
S/N Ratio	≥42dB (AGC OFF)
Iris	EIS
AES Shutter Speed	1/3 (1/4) - 1/10,000 seconds
Min. Illumination	0.5 lux without IR 0.3 lux with IR
Video Output	IP
Lens / Lens Type	4mm F1.6 / Fixed
Field of View (Horizontal)	88°
Termination	RJ45 Ethernet / 12V DC Power Barrel (optional)
IR LED Type	850nm
Night Vision Range	130ft (40m) / 90ft (27m) <sup>3</sup>
Power Requirement	PoE (Power over Ethernet) Class 0 / 12V DC
Power Consumption	Max. 330mA / 4W
Operating Temp. Range	-22° - 140°F / -30° - 60°C
Operating Humidity Range	<95% RH
Environmental Rating	IP66 (Indoor / Outdoor) <sup>5</sup>
Weight	1lb / 0.5kg

## Installation Diagram

