



217 Commonwealth Avenue

LOCATION OF NEW SKYLIGHT

NO VIEW TO SKYLIGHT FROM ADJACENT DECK DUE TO (E) CHIMNEY AND STAIR HEAD-HOUSE

EXISTING DECK OF 215 COMM AVE

AERIAL VIEW OF 217 COMM. AVE. AND 215 COMM AVE ROOF



EASTERN
COURTYARD
ELEVATION
LOOKING
NORTH



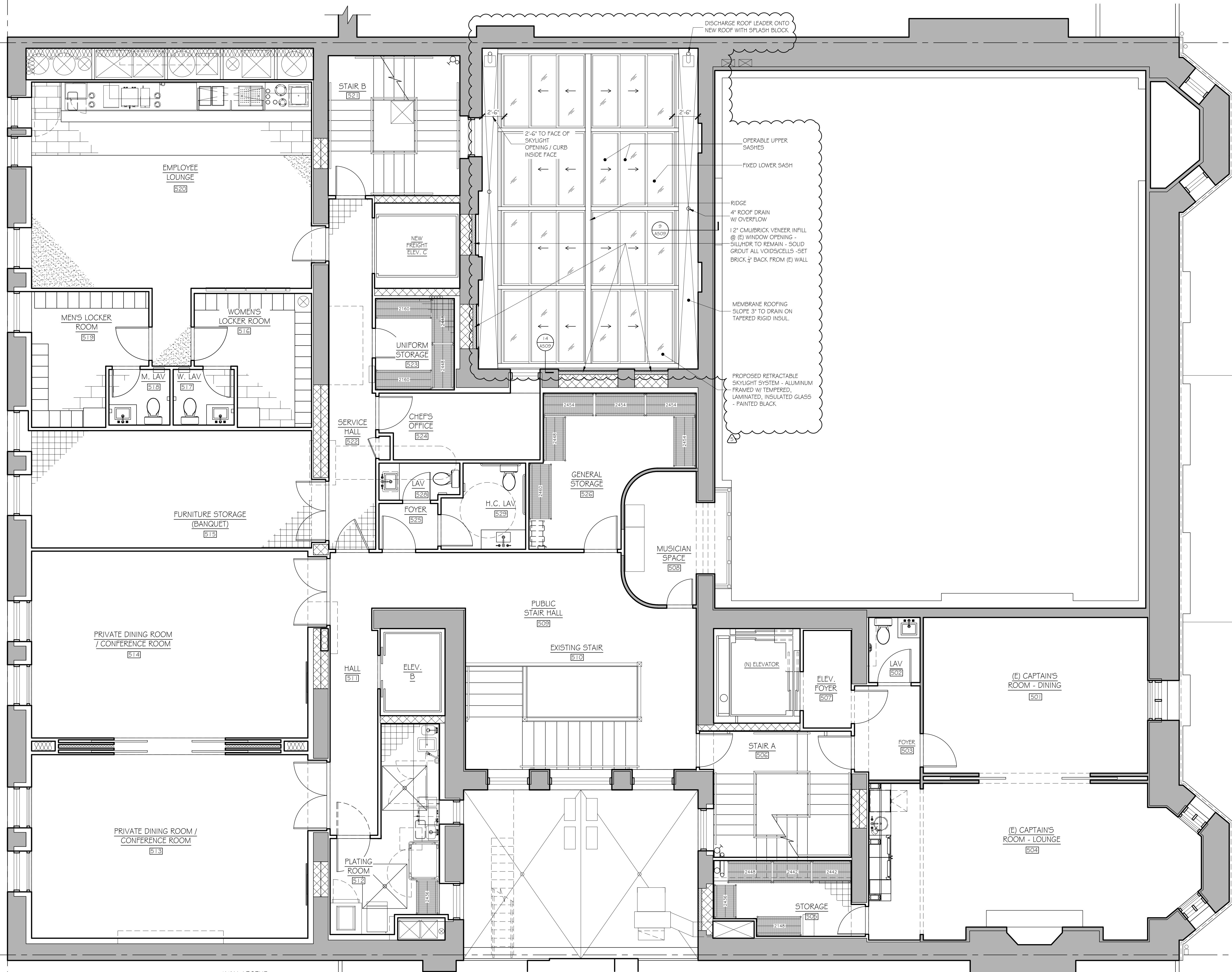
EASTERN
COURTYARD
ELEVATION
LOOKING
SOUTH

A photograph of an eastern courtyard elevation, looking east. The image shows a brick wall in the foreground and a taller brick building in the background. A white horizontal siding is visible on the upper part of the background wall. A red dashed line indicates the top of a proposed skylight. Two red arrows point from text boxes to the top of the wall and the skylight line. The sky is clear and blue.

PARTY WALL TO
215 COMM AVE.

TOP OF
PROPOSED
SKYLIGHT

EASTERN
COURTYARD
ELEVATION
LOOKING
EAST



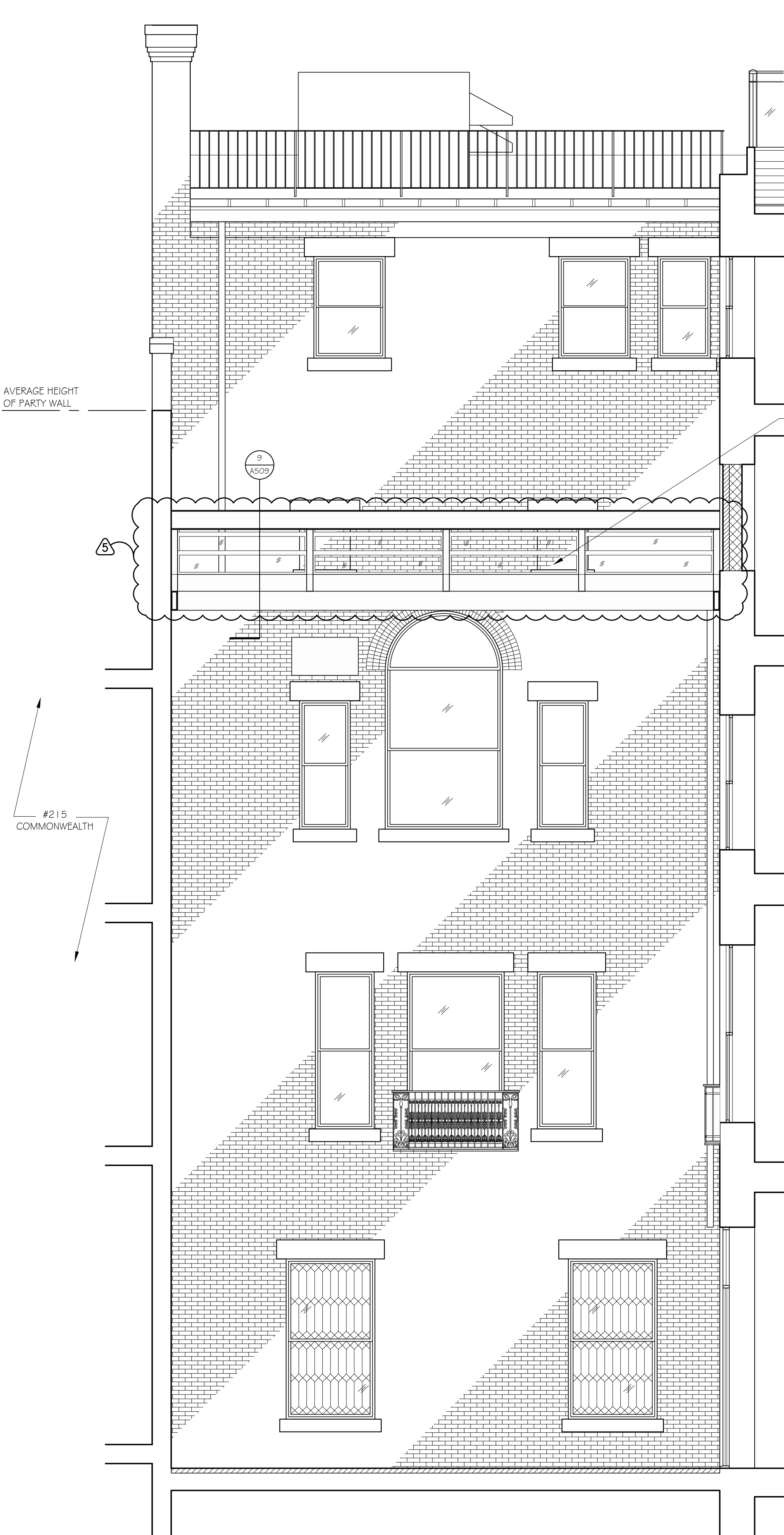
FOURTH FLOOR PLAN

1/4" = 1'-0"

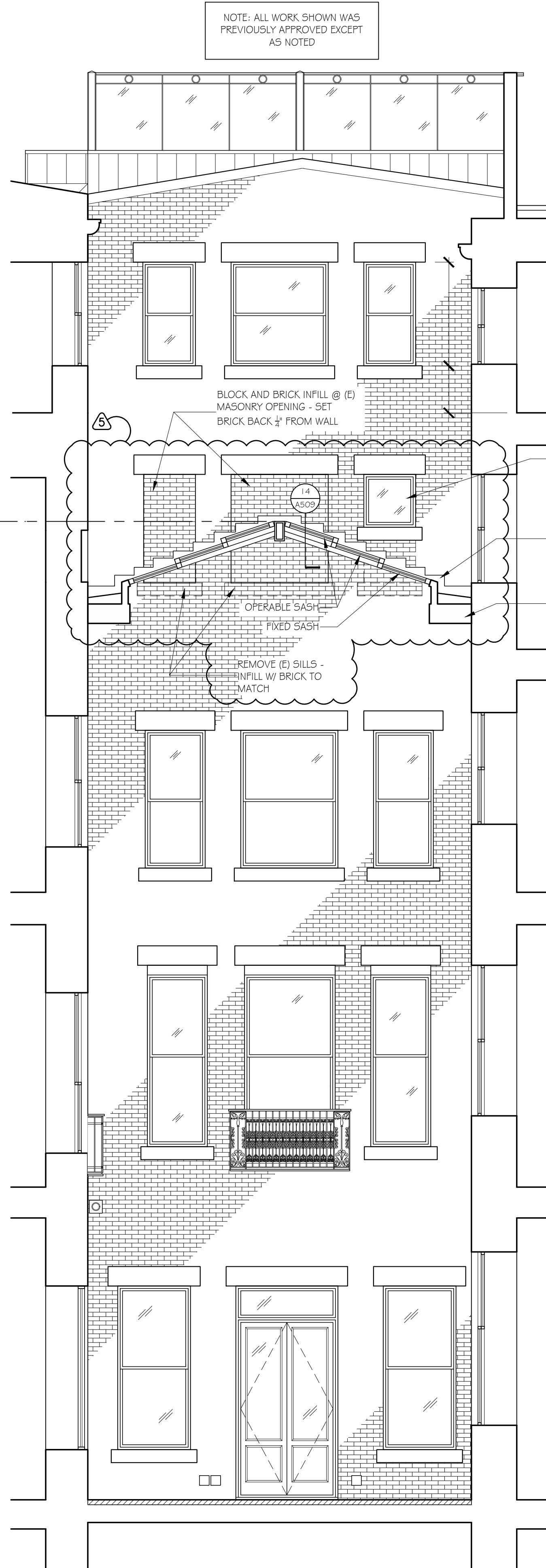


WALL LEGEND:
 [Symbol] EXISTING WALL TO REMAIN
 [Symbol] NEW WALL

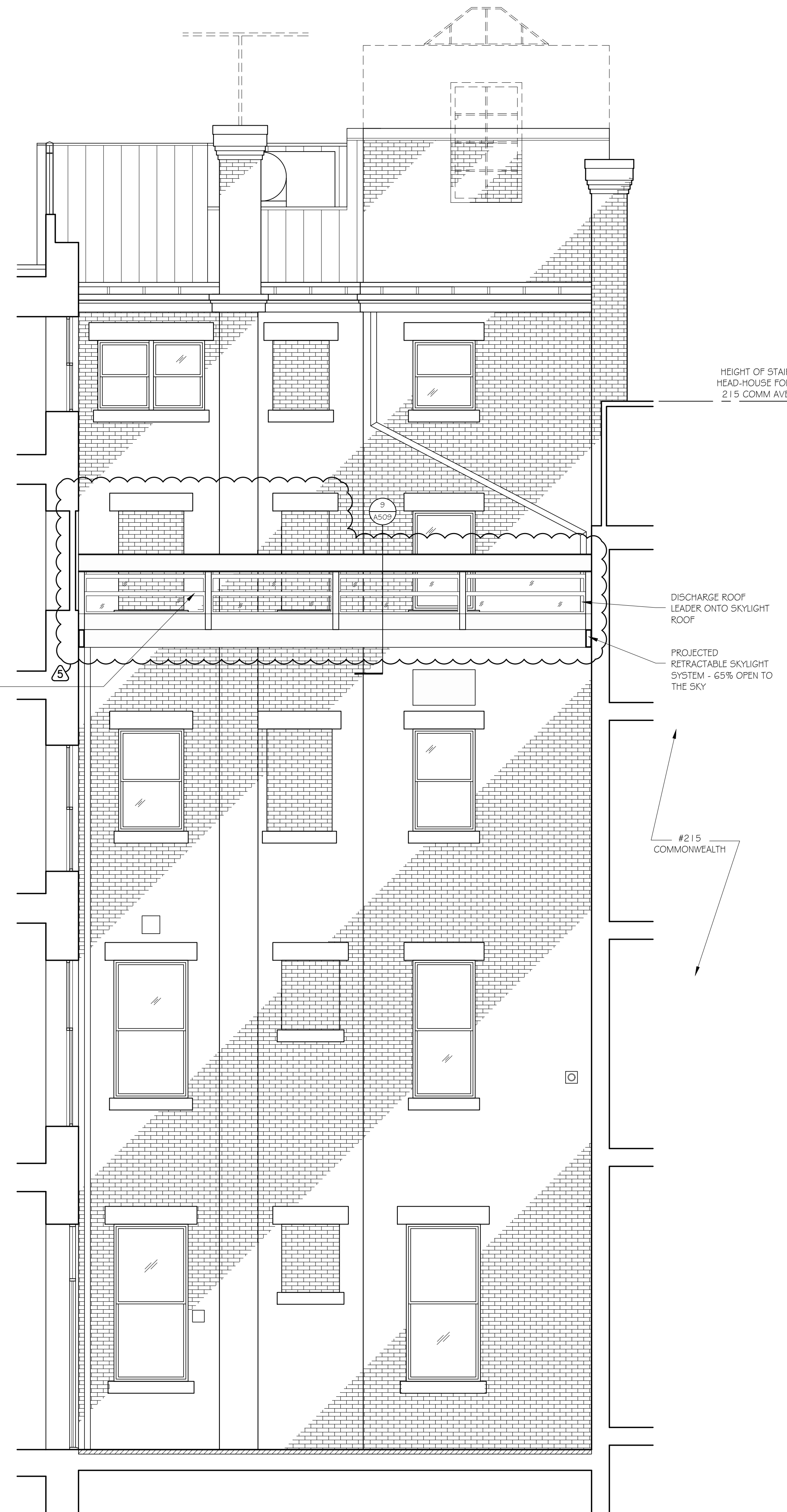
JOB NO.:	1724
SCALE:	1/4" = 1'
DATE:	03.22.19
REVISED:	



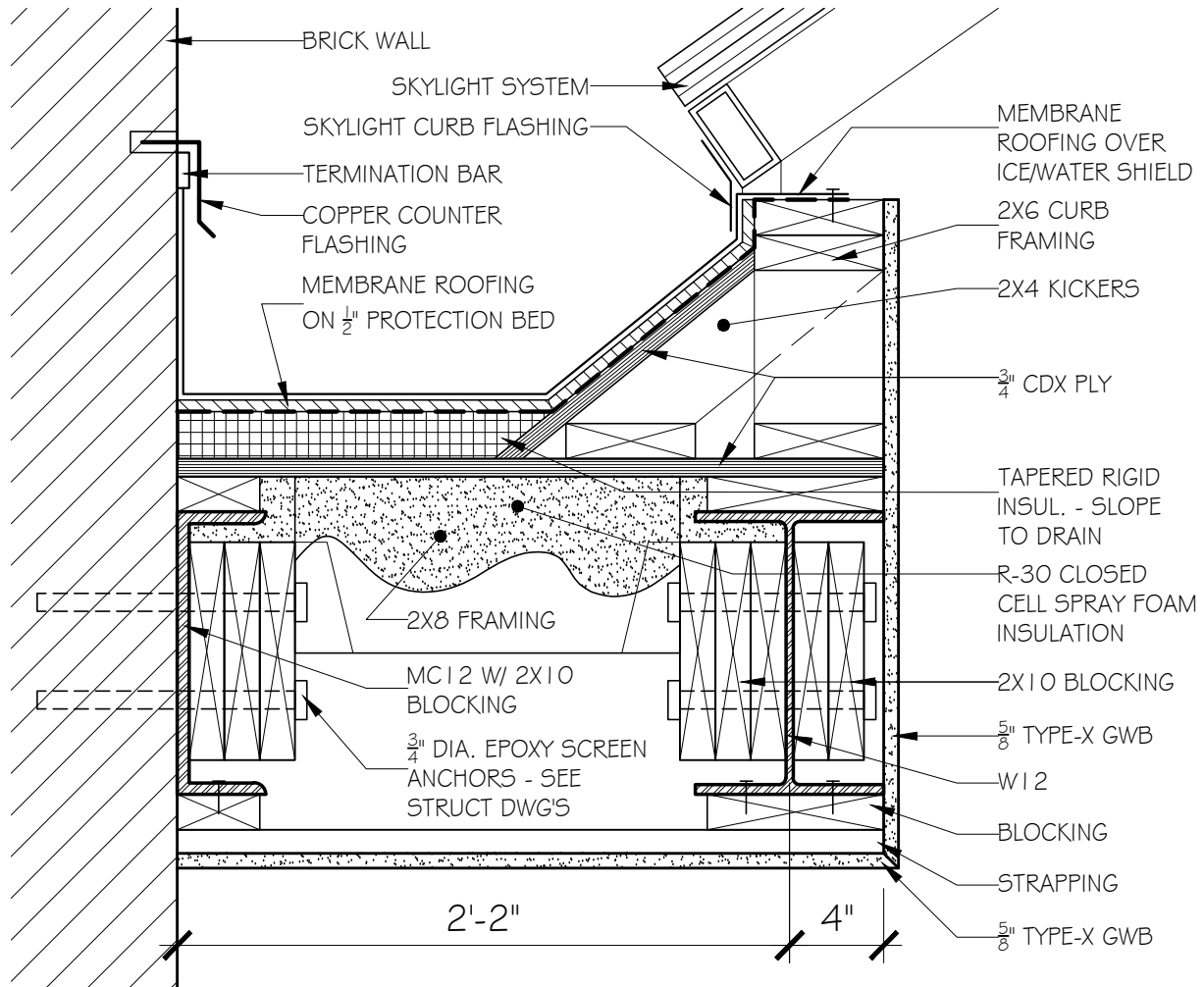
① SOUTH ELEVATION @ EASTERN LIGHT WELL
1/4" = 1'-0"





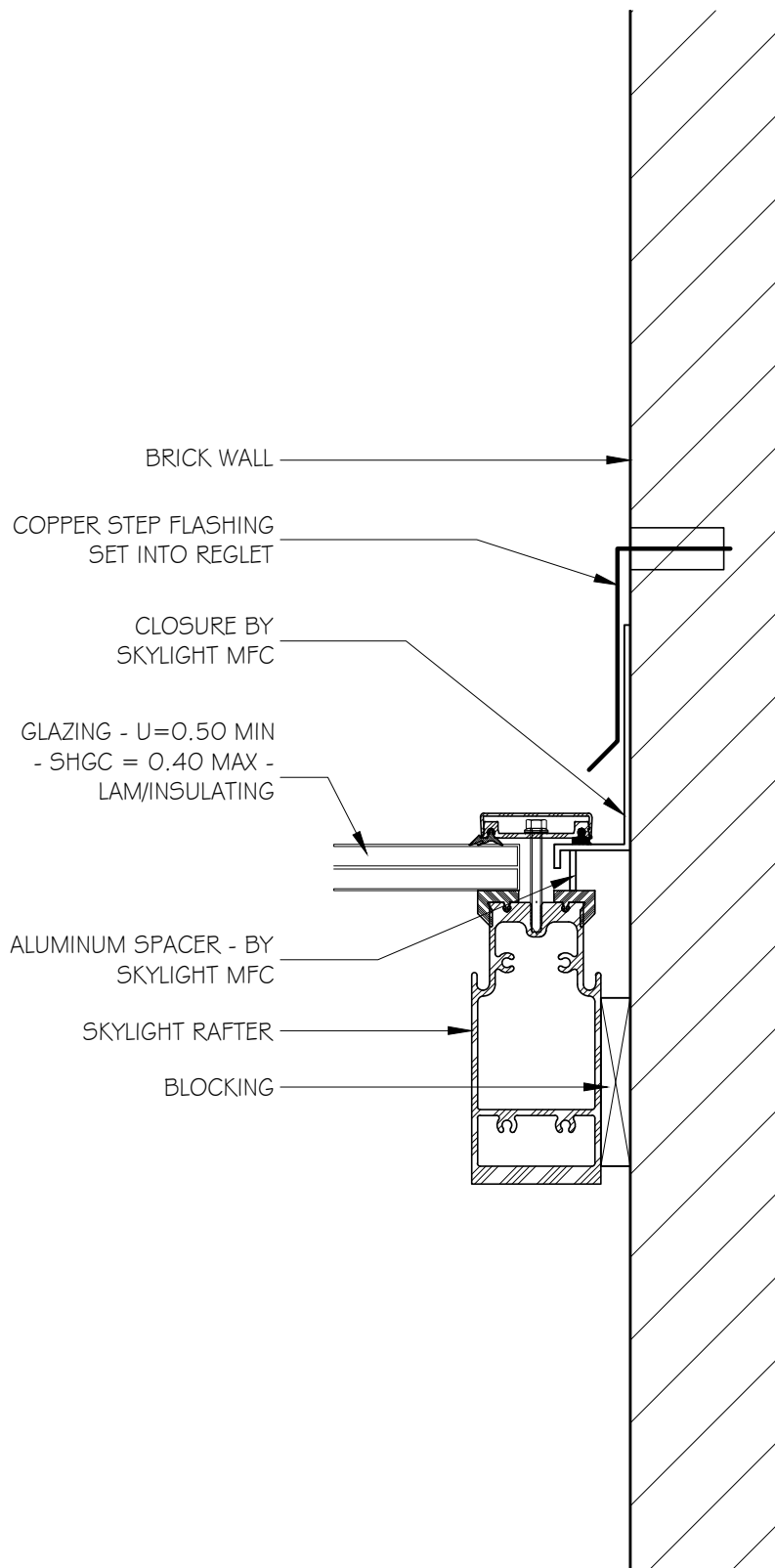
② WEST ELEVATION @ EASTERN LIGHT WELL
1/4" = 1'-0"



③ NORTH ELEVATION @ EASTERN LIGHT WELL
1/4" = 1'-0"



JOB NO: 1724 DWG NO: A509	SCALE: 1/2" = 1'-0"	DATE: 12.12.19	SKYLIGHT CURB @ ROOF DETAIL	<h1>SK 7-A</h1>
 	46 Waltham Street, Suite 3A Boston, MA 02118 Phone 617-956-9992 Fax 917-956-9993		<p style="text-align: center;"><u>ALGONQUIN CLUB</u></p> 217 COMMONWEALTH AVENUE, BOSTON, MA	



JOB NO: 1724
DWG NO: A509

SCALE:
1/2" = 1'-0"

DATE: 12.12.19

SKYLIGHT CURB @ ROOF DETAIL

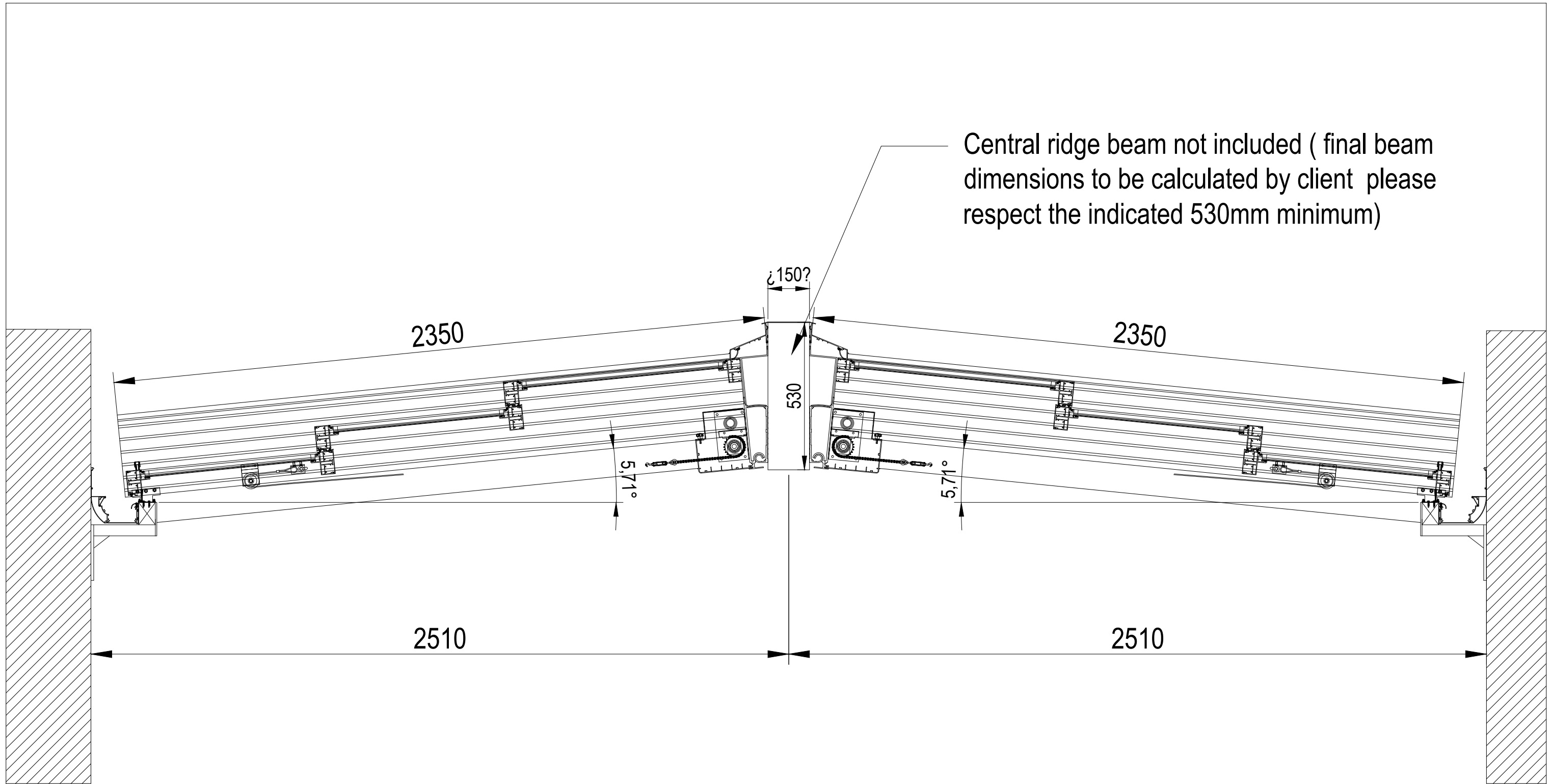
GD


BG

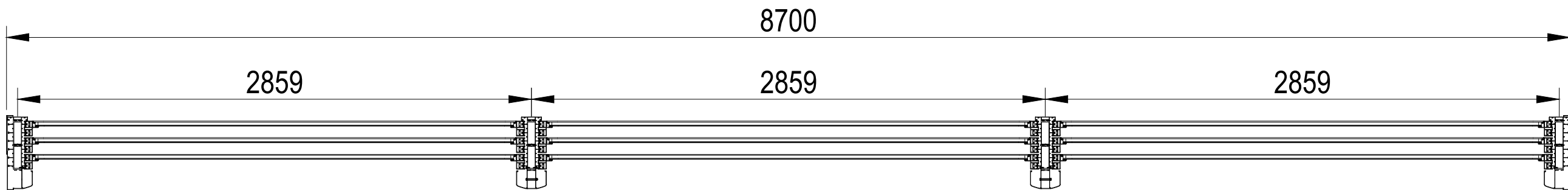
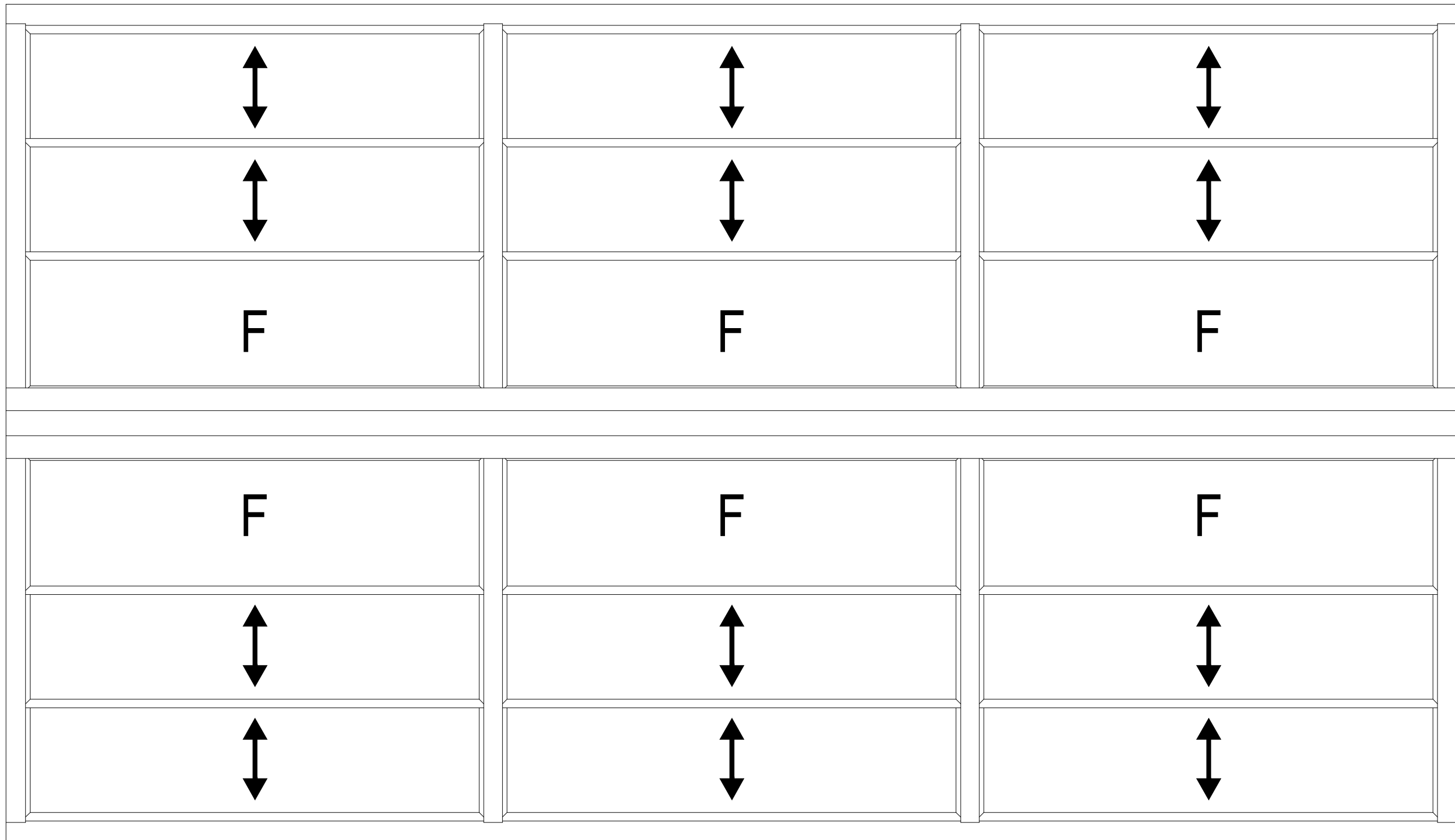
46 Waltham Street, Suite 3A
Boston, MA 02118
Phone 617-956-9992
Fax 917-956-9993


ALGONQUIN CLUB
217 COMMONWEALTH AVENUE, BOSTON, MA

SK
7-B



	CLIENTE	DESCRIPCIÓN	PRESUPUESTO	FECHA
	TARIFA EXPORTACION	T8000 2/3	19-03254	11/12/19



	CLIENTE	DESCRIPCIÓN	PRESUPUESTO	FECHA
	TARIFA EXPORTACION	T8000 2/3	19-03254	11/12/19