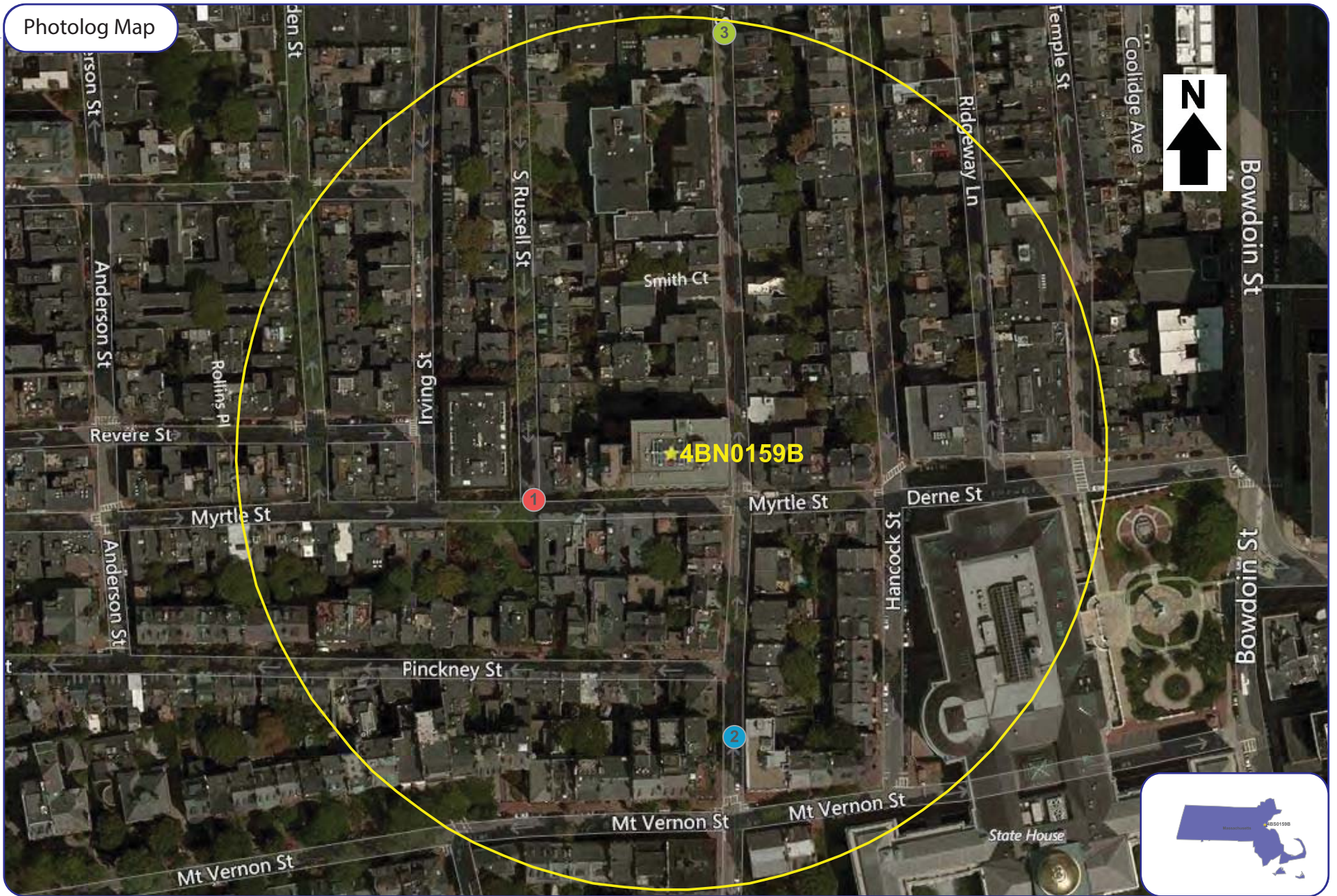


Photolog Map



Proposed Upgrade to Existing Wireless Telecommunications Facility:  
4BN0159B Beacon House RT  
19 Myrtle Street  
Boston, MA 02114

Legend:




-  Facility Location
-  Photo Documentation location
-  500 Ft Radius

Photo Simulations are for demonstration purposes only. It should not be used in any other fashion or with any other intent. The accuracy of the resulting data is not guaranteed and is not for redistribution





Existing

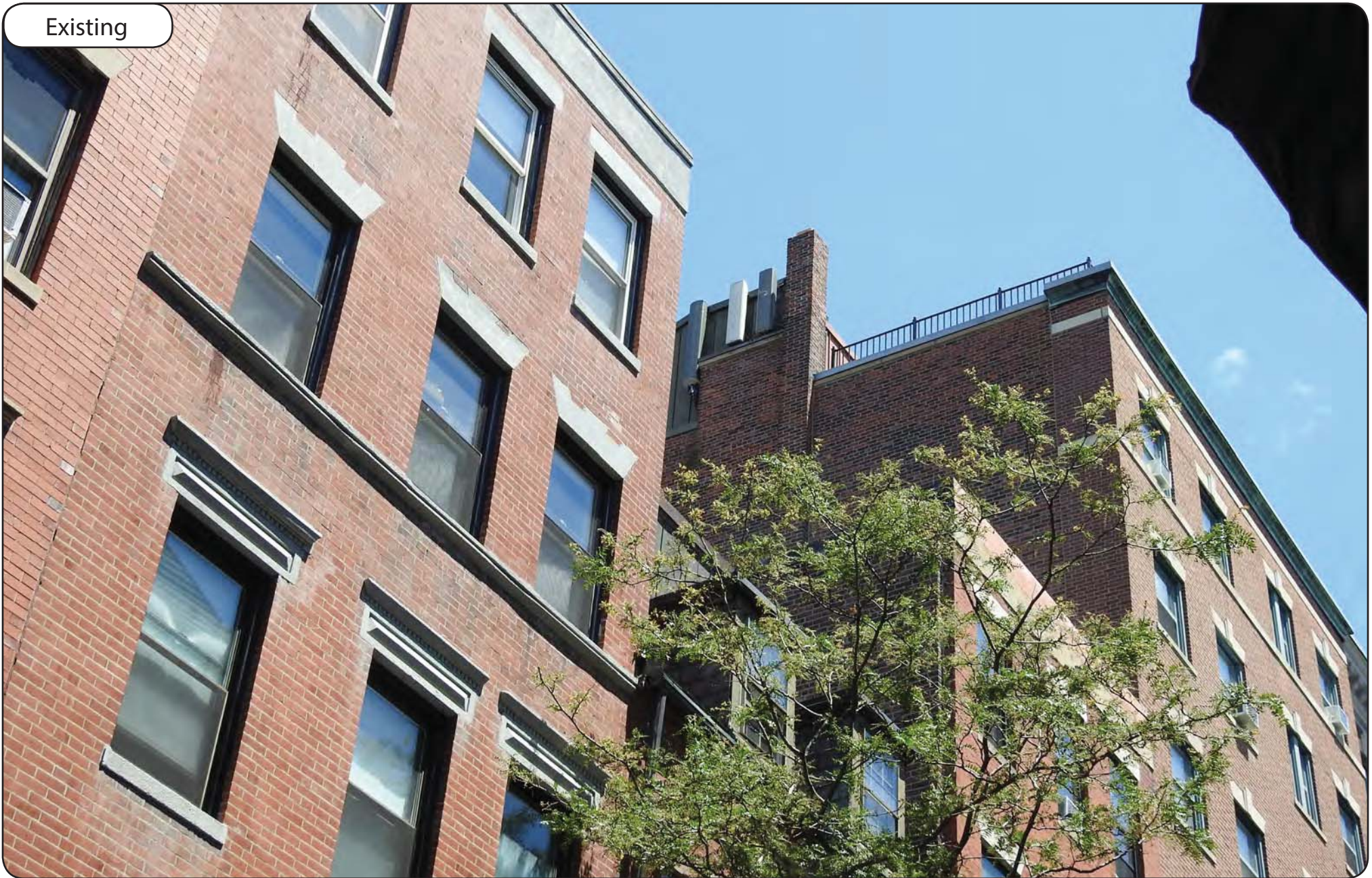


Photo #	Location	Gps Coordinates	Distance to site	Orientation	Bearing to site	Visibility
1	35-35A Myrtle St	42.35935 -71.06591	158.4 Feet	West	71	Year Round

Site: 4BN0159B Beacon House RT

Photo Simulations are for demonstration purposes only. It should not be used in any other fashion or with any other intent. The accuracy of the resulting data is not guaranteed and is not for redistribution





Simulation



Photo #	Location	Gps Coordinates	Distance to site	Orientation	Bearing to site	Visibility
1	35-35A Myrtle St	42.35935 -71.06591	158.4 Feet	West	71	Year Round

Site: 4BN0159B Beacon House RT

Photo Simulations are for demonstration purposes only. It should not be used in any other fashion or with any other intent. The accuracy of the resulting data is not guaranteed and is not for redistribution





Existing



Photo #	Location	Gps Coordinates		Distance to site	Orientation	Bearing to site	Visibility
2	9 Joy St	42.35861	-71.06506	316.8 Feet	South	347	Year Round

**Site:** 4BN0159B Beacon House RT

Photo Simulations are for demonstration purposes only. It should not be used in any other fashion or with any other intent. The accuracy of the resulting data is not guaranteed and is not for redistribution





Simulation



Photo #	Location	Gps Coordinates		Distance to site	Orientation	Bearing to site	Visibility
2	9 Joy St	42.35861	-71.06506	316.8 Feet	South	347	Year Round

Site: 4BN0159B Beacon House RT

Photo Simulations are for demonstration purposes only. It should not be used in any other fashion or with any other intent. The accuracy of the resulting data is not guaranteed and is not for redistribution





Existing



Photo #	Location	Gps Coordinates	Distance to site	Orientation	Bearing to site	Visibility
3	81-81A Joy St	42.36082 -71.0651	475.2 Feet	North	187	Year Round

Site: 4BN0159B Beacon House RT

Photo Simulations are for demonstration purposes only. It should not be used in any other fashion or with any other intent. The accuracy of the resulting data is not guaranteed and is not for redistribution





Simulation



Photo #	Location	Gps Coordinates	Distance to site	Orientation	Bearing to site	Visibility
3	81-81A Joy St	42.36082 -71.0651	475.2 Feet	North	187	Year Round

Site: 4BN0159B Beacon House RT

Photo Simulations are for demonstration purposes only. It should not be used in any other fashion or with any other intent. The accuracy of the resulting data is not guaranteed and is not for redistribution





19 Myrtle Street from  
16 Myrtle Street







19 Myrtle Street from 18  
Myrtle Street

©2018 Google



19 Myrtle Street from 39  
Joy Street





19 Myrtle Street from 8 Joy Street



19 Myrtle Street from 172 Cambridge Street





19 Myrtle Street from corner  
of Joy Street and Vernon  
Street





**PROJECT INFORMATION**

SCOPE OF WORK: UNMANNED TELECOMMUNICATIONS FACILITY MODIFICATIONS  
 SITE ADDRESS: 19 MYRTLE STREET  
 BOSTON, MA 02114  
 LATITUDE: 42.359569° N  
 LONGITUDE: 71.065636° W  
 JURISDICTION: NATIONAL, STATE & LOCAL CODES OR ORDINANCES  
 CURRENT USE: TELECOMMUNICATIONS FACILITY  
 PROPOSED USE: TELECOMMUNICATIONS FACILITY  
 RF CONFIGURATION: 67D92DB INDOOR

**SITE NUMBER: 4BN0159B**  
**SITE NAME: BN159/BEACON HOUSE RT**

19 MYRTLE STREET  
 BOSTON, MA 02114  
 SUFFOLK COUNTY

RF CONFIGURATION: 67D92DB INDOOR

**DRAWING INDEX**

**REV**

**LOCUS MAP**

**GENERAL NOTES**

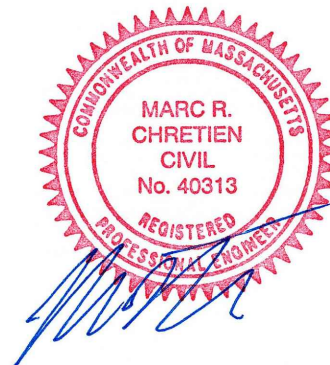
T-1	TITLE SHEET	1
GN-1	GENERAL NOTES	1
A-1	ROOF & EQUIPMENT PLANS	1
A-2	ELEVATION	1
A-3	EXISTING ANTENNA PLAN	1
A-4	PROPOSED ANTENNA PLAN	1
S-1	EQUIPMENT, ANTENNA & WALL ANCHOR DETAILS	1
S-2	CUSTOM WALL MOUNT DETAILS	1
S-3	CUSTOM ANTENNA BRACKET DETAILS	1
G-1	GROUNDING, ONE-LINE DIAGRAM & DETAILS	1



- THIS DOCUMENT IS THE CREATION, DESIGN, PROPERTY AND COPYRIGHTED WORK OF T-MOBILE NORTHEAST, LLC. ANY DUPLICATION OR USE WITHOUT EXPRESS WRITTEN CONSENT IS STRICTLY PROHIBITED. DUPLICATION AND USE BY GOVERNMENT AGENCIES FOR THE PURPOSES OF CONDUCTING THEIR LAWFULLY AUTHORIZED REGULATORY AND ADMINISTRATIVE FUNCTIONS IS SPECIFICALLY ALLOWED.
- THE FACILITY IS AN UNMANNED PRIVATE AND SECURED EQUIPMENT INSTALLATION. IT IS ONLY ACCESSED BY TRAINED TECHNICIANS FOR PERIODIC ROUTINE MAINTENANCE AND THEREFORE DOES NOT REQUIRE ANY WATER OR SANITARY SEWER SERVICE. THE FACILITY IS NOT GOVERNED BY REGULATIONS REQUIRING PUBLIC ACCESS PER ADA REQUIREMENTS.
- CONTRACTOR SHALL VERIFY ALL PLANS AND EXISTING DIMENSIONS AND CONDITIONS ON THE JOB SITE AND SHALL IMMEDIATELY NOTIFY THE T-MOBILE REPRESENTATIVE IN WRITING OF DISCREPANCIES BEFORE PROCEEDING WITH THE WORK OR BE RESPONSIBLE FOR SAME.

**SIGNATURES**

CONSTRUCTION \_\_\_\_\_ DATE \_\_\_\_\_  
 RF ENGINEERING \_\_\_\_\_ DATE \_\_\_\_\_  
 ZONING / SITE ACQ. \_\_\_\_\_ DATE \_\_\_\_\_  
 OPERATIONS \_\_\_\_\_ DATE \_\_\_\_\_  
 LANDLORD \_\_\_\_\_ DATE \_\_\_\_\_



DIG SAFE SYSTEM, INC.



CALL BEFORE YOU DIG

CALL TOLL FREE: 811 OR 888-DIG-SAFE

**UNDERGROUND SERVICE ALERT**



**SITE NUMBER: 4BN0159B**  
**SITE NAME: BN159/BEACON HOUSE RT**  
 19 MYRTLE STREET  
 BOSTON, MA 02114  
 SUFFOLK COUNTY

T-MOBILE NORTHEAST LLC  
 15 COMMERCE WAY, SUITE B  
 NORTON, MA 02766  
 OFFICE: (508) 286-2700  
 FAX: (508) 286-2893

NO.	DATE	REVISIONS	BY	CHK
0	02/11/19	ISSUED FOR REVIEW	MER	MRC
1	05/14/19	ISSUED FOR CONSTRUCTION	MER	MRC

TITLE SHEET

SHEET NO. **T-1**



## GENERAL NOTES

1. THE CONTRACTOR SHALL GIVE ALL NOTICES AND COMPLY WITH ALL LAWS, ORDINANCES, RULES, REGULATIONS AND LAWFUL ORDERS OF ANY PUBLIC AUTHORITY, MUNICIPAL AND UTILITY COMPANY SPECIFICATIONS, AND LOCAL AND STATE JURISDICTIONAL CODES BEARING ON THE PERFORMANCE OF THE WORK. THE WORK PERFORMED ON THE PROJECT AND THE MATERIALS INSTALLED SHALL BE IN STRICT ACCORDANCE WITH ALL APPLICABLE CODES, REGULATIONS, AND ORDINANCES.

2. THE ARCHITECT/ENGINEER HAVE MADE EVERY EFFORT TO SET FORTH IN THE CONSTRUCTION AND CONTRACT DOCUMENTS THE COMPLETE SCOPE OF WORK. THE CONTRACTOR BIDDING THE JOB IS NEVERTHELESS CAUTIONED THAT MINOR OMISSIONS OR ERRORS IN THE DRAWINGS AND OR SPECIFICATIONS SHALL NOT EXCUSE SAID CONTRACTOR FROM COMPLETING THE PROJECT AND IMPROVEMENTS IN ACCORDANCE WITH THE INTENT OF THESE DOCUMENTS.

3. THE CONTRACTOR OR BIDDER SHALL BEAR THE RESPONSIBILITY OF NOTIFYING (IN WRITING) THE LESEE/LICENSEE REPRESENTATIVE OF ANY CONFLICTS, ERRORS, OR OMISSIONS PRIOR TO THE SUBMISSION OF CONTRACTOR'S PROPOSAL OR PERFORMANCE OF WORK. IN THE EVENT OF DISCREPANCIES THE CONTRACTOR SHALL PRICE THE MORE COSTLY OR EXTENSIVE WORK, UNLESS DIRECTED IN WRITING OTHERWISE.

4. THE SCOPE OF WORK SHALL INCLUDE FURNISHING ALL MATERIALS, EQUIPMENT, LABOR AND ALL OTHER MATERIALS AND LABOR DEEMED NECESSARY TO COMPLETE THE WORK/PROJECT AS DESCRIBED HEREIN.

5. THE CONTRACTOR SHALL VISIT THE JOB SITE PRIOR TO THE SUBMISSION OF BIDS OR PERFORMING WORK TO FAMILIARIZE HIMSELF WITH THE FIELD CONDITIONS AND TO VERIFY THAT THE PROJECT CAN BE CONSTRUCTED IN ACCORDANCE WITH THE CONTRACT DOCUMENTS.

6. THE CONTRACTOR SHALL OBTAIN AUTHORIZATION TO PROCEED WITH CONSTRUCTION PRIOR TO STARTING WORK ON ANY ITEM NOT CLEARLY DEFINED BY THE CONSTRUCTION DRAWINGS / CONTRACT DOCUMENTS.

7. THE CONTRACTOR SHALL INSTALL ALL EQUIPMENT AND MATERIALS ACCORDING TO THE MANUFACTURER'S / VENDOR'S SPECIFICATIONS UNLESS NOTED OTHERWISE OR WHERE LOCAL CODES OR ORDINANCES TAKE PRECEDENCE.

8. THE CONTRACTOR SHALL PROVIDE A FULL SET OF CONSTRUCTION DOCUMENTS AT THE SITE UPDATED WITH THE LATEST REVISIONS AND ADDENDUMS OR CLARIFICATIONS AVAILABLE FOR THE USE BY ALL PERSONNEL INVOLVED WITH THE PROJECT.

9. THE CONTRACTOR SHALL SUPERVISE AND DIRECT THE PROJECT DESCRIBED HEREIN. THE CONTRACTOR SHALL BE SOLELY RESPONSIBLE FOR ALL CONSTRUCTION MEANS, METHODS, TECHNIQUES, SEQUENCES AND PROCEDURES AND FOR COORDINATING ALL PORTIONS OF THE WORK UNDER THE CONTRACT.

10. THE CONTRACTOR SHALL BE RESPONSIBLE FOR PROVIDING ALL NECESSARY CONSTRUCTION CONTROL SURVEYS, ESTABLISHING AND MAINTAINING ALL LINES AND GRADES REQUIRED TO CONSTRUCT ALL IMPROVEMENTS AS SHOWN HEREIN.

11. THE CONTRACTOR SHALL BE RESPONSIBLE FOR OBTAINING ALL PERMITS AND INSPECTIONS WHICH MAY BE REQUIRED FOR THE WORK BY THE ARCHITECT/ENGINEER, THE STATE, COUNTY OR LOCAL GOVERNMENT AUTHORITY.

12. THE CONTRACTOR SHALL MAKE NECESSARY PROVISIONS TO PROTECT EXISTING IMPROVEMENTS, EASEMENTS, PAVING, CURBING, ETC. DURING CONSTRUCTION. UPON COMPLETION OF WORK, THE CONTRACTOR SHALL REPAIR ANY DAMAGE THAT MAY HAVE OCCURRED DUE TO CONSTRUCTION ON OR ABOUT THE PROPERTY.

13. THE CONTRACTOR SHALL KEEP THE GENERAL WORK AREA CLEAN AND HAZARD FREE DURING CONSTRUCTION AND DISPOSE OF ALL DIRT, DEBRIS, RUBBISH AND REMOVE EQUIPMENT NOT SPECIFIED AS REMAINING ON THE PROPERTY. PREMISES SHALL BE LEFT IN CLEAN CONDITION AND FREE FROM PAINT SPOTS, DUST, OR SMUDGES OF ANY NATURE.

14. THE CONTRACTOR SHALL COMPLY WITH ALL OSHA REQUIREMENTS AS THEY APPLY TO THIS PROJECT.

15. THE CONTRACTOR SHALL NOTIFY THE LESEE/LICENSEE REPRESENTATIVE WHERE A CONFLICT OCCURS ON ANY OF THE CONTRACT DOCUMENTS. THE CONTRACTOR IS NOT TO ORDER MATERIAL OR CONSTRUCT ANY PORTION OF THE WORK THAT IS IN CONFLICT UNTIL CONFLICT IS RESOLVED BY THE LESEE/LICENSEE REPRESENTATIVE.

16. THE CONTRACTOR SHALL VERIFY ALL DIMENSIONS, ELEVATIONS, PROPERTY LINES, ETC. ON THE JOB.

17. ALL UNDERGROUND UTILITY INFORMATION WAS DETERMINED FROM SURFACE INVESTIGATIONS AND EXISTING PLANS OF RECORD. THE CONTRACTOR SHALL LOCATE ALL UNDERGROUND UTILITIES IN THE FIELD PRIOR TO ANY SITE WORK. CALL THE FOLLOWING FOR ALL PRE-CONSTRUCTION NOTIFICATION 72-HOURS PRIOR TO ANY EXCAVATION ACTIVITY: DIG SAFE SYSTEM (MA, ME, NH, RI, VT): 1-888-344-7233 CALL BEFORE YOU DIG (CT): 1-800-922-4455

18. THE CONTRACTOR IS RESPONSIBLE FOR PROVIDING ALL NECESSARY CONSTRUCTION CONTROL SURVEYS AND MAINTAINING ALL LINES AND GRADES REQUIRED TO CONSTRUCT ALL IMPROVEMENTS SHOWN HEREIN.

19. ALL DIMENSIONS SHOWN THUS ± ARE APPROXIMATE. THE CONTRACTOR SHALL VERIFY ALL DIMENSIONS AND ELEVATIONS WHICH EFFECT THE CONTRACTORS WORK. CONTRACTOR TO VERIFY ALL DIMENSIONS WITH PROJECT OWNER PRIOR TO CONSTRUCTION.

20. NORTH ARROW SHOWN ON PLANS REFERS TO APPROXIMATE TRUE NORTH. PRIOR TO THE START OF CONSTRUCTION, ORDERING OR FABRICATING OF ANTENNA MOUNTS, CONTRACTOR SHALL CONSULT WITH PROJECT OWNER'S RF ENGINEER AND FIELD VERIFY ALL ANTENNA SECTOR LOCATIONS AND ANTENNA AZIMUTHS.

21. THE CONTRACTOR AND OR HIS SUB CONTRACTOR SHALL BE RESPONSIBLE FOR OBTAINING ALL PERMITS AND INSPECTIONS WHICH MAY BE REQUIRED FOR THE WORK BY THE ARCHITECT/ENGINEER, THE STATE, COUNTY OR LOCAL GOVERNMENT AUTHORITY.

22. ANTENNA INSTALLATION SHALL BE CONDUCTED BY FIELD CREWS EXPERIENCED IN THE ASSEMBLY AND ERECTION OF RADIO ANTENNAS, TRANSMISSION LINES AND SUPPORT STRUCTURES.

23. COAXIAL CABLE CONNECTORS AND TRANSMITTER EQUIPMENT SHALL BE PROVIDED BY THE PROJECT OWNER AND IS NOT INCLUDED IN THESE CONSTRUCTION DOCUMENTS. A SCHEDULE OF PROJECT OWNER SUPPLIED MATERIALS IS ATTACHED TO THE BID DOCUMENTS (SEE EXHIBIT 3). ALL OTHER HARDWARE TO BE PROVIDED BY THE CONTRACTOR. CONNECTION HARDWARE SHALL BE STAINLESS STEEL.

24. WHEN "PAINT TO MATCH" IS SPECIFIED FOR ANTENNA CONCEALMENT, PAINT PRODUCT FOR ANTENNA RADOME SHALL BE SHERWIN WILLIAMS COROTHANE II. SURFACE PREPARATION AND APPLICATION SHALL BE IN ACCORDANCE WITH THE MANUFACTURER'S SPECIFICATIONS AND PROJECT OWNER'S GUIDELINE'S.

25. COORDINATION, LAYOUT, AND FURNISHING OF CONDUIT, CABLE AND ALL APPURTENANCES REQUIRED FOR PROPER INSTALLATION OF ELECTRICAL AND TELECOMMUNICATION SERVICE SHALL BE THE SOLE RESPONSIBILITY OF THE CONTRACTOR.

26. ALL UTILITY WORK SHALL BE IN ACCORDANCE WITH LOCAL UTILITY COMPANY REQUIREMENTS AND SPECIFICATIONS.

27. ALL (E)ACTIVE SEWER, WATER, GAS, ELECTRIC, AND OTHER UTILITIES WHERE ENCOUNTERED IN THE WORK, SHALL BE PROTECTED AT ALL TIMES, AND WHERE REQUIRED FOR THE PROPER EXECUTION OF THE WORK, SHALL BE RELOCATED AS DIRECTED BY ENGINEERS. EXTREME CAUTION SHOULD BE USED BY THE CONTRACTOR WHEN EXCAVATING OR PIER DRILLING AROUND OR NEAR UTILITIES. CONTRACTOR SHALL PROVIDE SAFETY TRAINING FOR THE WORKING CREW.

28. ALL (E)INACTIVE SEWER, WATER, GAS, ELECTRIC AND OTHER UTILITIES, WHICH INTERFERE WITH THE EXECUTION OF THE WORK, SHALL BE REMOVED AND/OR CAPPED, PLUGGED OR OTHERWISE DISCONTINUED AT POINTS WHICH WILL NOT INTERFERE WITH THE EXECUTION OF THE WORK, SUBJECT TO THE APPROVAL OF UTILITY COMPANY ENGINEERING. THE AREAS OF THE PROPERTY DISTURBED BY THE WORK AND NOT COVERED BY THE EQUIPMENT, DRIVEWAY OR

29. GRAVEL, SHALL BE GRADED TO A UNIFORM SLOPE, FERTILIZED, SEEDED AND COVERED WITH MULCH UNLESS OTHERWISE NOTED. THE CONTRACTOR SHALL ESTABLISH AND MAINTAIN SOIL EROSION AND SEDIMENTATION CONTROLS AT ALL TIMES

30. DURING CONSTRUCTION. PER FCC MANDATE, ENHANCED EMERGENCY (E911) SERVICE IS REQUIRED TO MEET NATIONWIDE STANDARDS

31. FOR WIRELESS COMMUNICATIONS SYSTEMS. PROJECT OWNER'S IMPLEMENTATION REQUIRES DEPLOYMENT OF EQUIPMENT AND ANTENNAS GENERALLY DEPICTED ON THIS PLAN, ATTACHED TO OR MOUNTED IN CLOSE PROXIMITY TO THE BTS RADIO CABINETS. PROJECT OWNER RESERVES THE RIGHT TO MAKE REASONABLE MODIFICATIONS TO E911 EQUIPMENT AND LOCATION AS TECHNOLOGY EVOLVES TO MEET REQUIRED SPECIFICATIONS.

32. SUBCONTRACTOR'S WORK SHALL COMPLY WITH THE LATEST EDITION OF THE FOLLOWING STANDARDS:

AMERICAN CONCRETE INSTITUTE (ACI) 318; BUILDING CODE REQUIREMENTS FOR STRUCTURAL CONCRETE;

AMERICAN INSTITUTE OF STEEL CONSTRUCTION (AISC)

MANUAL OF STEEL CONSTRUCTION, ASD, NINTH EDITION;

TELECOMMUNICATIONS INDUSTRY ASSOCIATION (TIA) 222-G, STRUCTURAL STANDARDS FOR STEEL

ANTENNA TOWER AND ANTENNA SUPPORTING STRUCTURES; REFER TO ELECTRICAL DRAWINGS FOR SPECIFIC ELECTRICAL STANDARDS.

FOR ANY CONFLICTS BETWEEN SECTIONS OF LISTED CODES AND STANDARDS REGARDING MATERIAL, METHODS OF CONSTRUCTION, OR OTHER REQUIREMENTS, THE MOST RESTRICTIVE REQUIREMENT SHALL GOVERN. WHERE THERE IS CONFLICT BETWEEN A GENERAL REQUIREMENT AND A SPECIFIC REQUIREMENT, THE SPECIFIC REQUIREMENT SHALL GOVERN.

APPLICABLE BUILDING CODES:

SUBCONTRACTOR'S WORK SHALL COMPLY WITH ALL APPLICABLE NATIONAL, STATE, AND LOCAL CODES AS ADOPTED BY THE LOCAL AUTHORITY HAVING JURISDICTION (AHJ) FOR THE LOCATION. THE EDITION OF THE AHJ ADOPTED CODES AND STANDARDS IN EFFECT ON THE DATE OF CONTRACT AWARD SHALL GOVERN THE DESIGN.

BUILDING CODE:

MASSACHUSETTS STATE BUILDING CODE 780 CMR, 9TH EDITION  
ELECTRICAL CODE: MASSACHUSETTS 527 CMR 12.00 (NEC 2017)  
NFPA 780, 2017

## ELECTRICAL AND GROUNDING NOTES

1. ALL ELECTRICAL WORK SHALL CONFORM TO THE REQUIREMENTS OF THE NATIONAL ELECTRICAL CODE (NEC) AS WELL AS APPLICABLE STATE AND LOCAL CODES.

2. ALL ELECTRICAL ITEMS SHALL BE U.L. APPROVED OR LISTED AND PROCURED PER SPECIFICATION REQUIREMENTS.

3. THE ELECTRICAL WORK INCLUDES ALL LABOR AND MATERIAL DESCRIBED BY DRAWINGS AND SPECIFICATION INCLUDING INCIDENTAL WORK TO PROVIDE COMPLETE OPERATING AND APPROVED ELECTRICAL SYSTEM.

4. GENERAL CONTRACTOR SHALL PAY FEES FOR PERMITS, AND IS RESPONSIBLE FOR OBTAINING SAID PERMITS AND COORDINATION OF INSPECTIONS.

5. ELECTRICAL AND TELCO WIRING OUTSIDE A BUILDING AND EXPOSED TO WEATHER SHALL BE IN WATER TIGHT GALVANIZED RIGID STEEL CONDUITS OR SCHEDULE 80 PVC (AS PERMITTED BY CODE) AND WHERE REQUIRED IN LIQUID TIGHT FLEXIBLE METAL OR NONMETALLIC CONDUITS.

6. BURIED CONDUIT SHALL BE SCHEDULE 40 PVC.

7. ELECTRICAL WIRING SHALL BE COPPER WITH TYPE XHHW, THWN, OR THHN INSULATION.

8. RUN ELECTRICAL CONDUIT OR CABLE BETWEEN ELECTRICAL UTILITY DEMARCATION POINT AND PROJECT OWNER CELL SITE PPC AS INDICATED ON THIS DRAWING. PROVIDE FULL LENGTH PULL ROPE. COORDINATE INSTALLATION WITH UTILITY COMPANY.

9. RUN TELCO CONDUIT OR CABLE BETWEEN TELEPHONE UTILITY DEMARCATION POINT AND PROJECT OWNER CELL SITE TELCO CABINET AND BTS CABINET AS INDICATED ON THIS DRAWING. PROVIDE FULL LENGTH PULL ROPE AND GREENLEE CONDUIT MEASURING TAPE IN EACH INSTALLED TELCO CONDUIT.

10. WHERE CONDUIT BETWEEN BTS AND PROJECT OWNER CELL SITE PPC AND BETWEEN BTS AND PROJECT OWNER CELL SITE TELCO SERVICE CABINET ARE UNDERGROUND USE PVC, SCHEDULE 40 CONDUIT. ABOVE THE GROUND PORTION OF THESE CONDUITS SHALL BE PVC CONDUIT.

11. ALL EQUIPMENT LOCATED OUTSIDE SHALL HAVE NEMA 3R ENCLOSURE.

12. PPC SUPPLIED BY PROJECT OWNER.

13. GROUNDING SHALL COMPLY WITH NEC ART. 250.

14. GROUND COAXIAL CABLE SHIELDS MINIMUM AT BOTH ENDS USING MANUFACTURERS COAX CABLE GROUNDING KITS SUPPLIED BY PROJECT OWNER.

**ADDITIONAL NOTE:**  
GROUNDING, BONDING AND LIGHTNING PROTECTION SHALL BE DONE IN ACCORDANCE WITH "T-MOBILE BTS SITE GROUNDING STANDARDS".

15. USE #6 COPPER STRANDED WIRE WITH GREEN COLOR INSULATION FOR ABOVE GRADE GROUNDING (UNLESS OTHERWISE SPECIFIED) AND #2 SOLID TINNED BARE COPPER WIRE FOR BELOW GRADE GROUNDING AS INDICATED ON THE DRAWING.

16. ALL GROUND CONNECTIONS TO BE BURNDY HYGROUND COMPRESSION TYPE CONNECTORS OR CADWELD EXOTHERMIC WELD. DO NOT ALLOW BARE COPPER WIRE TO BE IN CONTACT WITH GALVANIZED STEEL.

17. ROUTE GROUNDING CONDUCTORS ALONG THE SHORTEST AND STRAIGHTEST PATH POSSIBLE, EXCEPT AS OTHERWISE INDICATED. GROUNDING LEADS SHOULD NEVER BE BENT AT RIGHT ANGLE. ALWAYS MAKE AT LEAST 12" RADIUS BENDS. #6 WIRE CAN BE BENT AT 6" RADIUS WHEN NECESSARY. BOND ANY METAL OBJECTS WITHIN 6 FEET OF PROJECT OWNER EQUIPMENT OR CABINET TO MASTER GROUND BAR OR GROUNDING RING.

18. CONNECTIONS TO GROUND BARS SHALL BE MADE WITH TWO HOLE COMPRESSION TYPE COPPER LUGS. APPLY OXIDE INHIBITING COMPOUND TO ALL LOCATIONS.

19. BOND ANTENNA MOUNTING BRACKETS, COAXIAL CABLE GROUND KITS, AND ALNA TO EGB PLACED NEAR THE ANTENNA LOCATION.

20. APPLY OXIDE INHIBITING COMPOUND TO ALL COMPRESSION TYPE GROUND CONNECTIONS.

21. CONTRACTOR SHALL PROVIDE AND INSTALL OMNI DIRECTIONAL ELECTRONIC MARKER SYSTEM (EMS) BALLS OVER EACH GROUND ROD AND BONDING POINT BETWEEN EXISTING TOWER/ (E) MONOPOLE GROUNDING RING AND EQUIPMENT GROUNDING RING.

22. CONTRACTOR SHALL TEST COMPLETED GROUND SYSTEM AND RECORD RESULTS FOR PROJECT CLOSE-OUT DOCUMENTATION. 5 OHMS MAXIMUM RESISTANCE REQUIRED.

23. CONTRACTOR SHALL CONDUCT ANTENNA, COAX, AND LNA RETURN-LOSS AND DISTANCE- TO-FAULT MEASUREMENTS (SWEEP TESTS) AND RECORD RESULTS FOR PROJECT CLOSE OUT.



## ABBREVIATIONS

AGL	ABOVE GRADE LEVEL	(F)	FUTURE	REQ	REQUIRED
AWG	AMERICAN WIRE GAUGE	G.C.	GENERAL CONTRACTOR	RF	RADIO FREQUENCY
BCW	BARE COPPER WIRE	MGB	MATER GROUND BUS	TBD	TO BE DETERMINED
BTS	BASE TRANSCEIVER STATION	MIN	MINIMUM	TBR	TO BE REMOVED
(E)	EXISTING	(P)	PROPOSED	TBRR	TO BE REMOVED AND REPLACED
EG	EQUIPMENT GROUND	N.T.S.	NOT TO SCALE	TYP	TYPICAL
EGR	EQUIPMENT GROUND RING	REF	REFERENCE		



**SITE NUMBER: 4BN0159B**

**SITE NAME: BN159/BEACON HOUSE RT**

19 MYRTLE STREET  
BOSTON, MA 02114  
SUFFOLK COUNTY

T-MOBILE NORTHEAST LLC

15 COMMERCE WAY, SUITE B  
NORTON, MA 02766  
OFFICE: (508) 286-2700  
FAX: (508) 286-2893

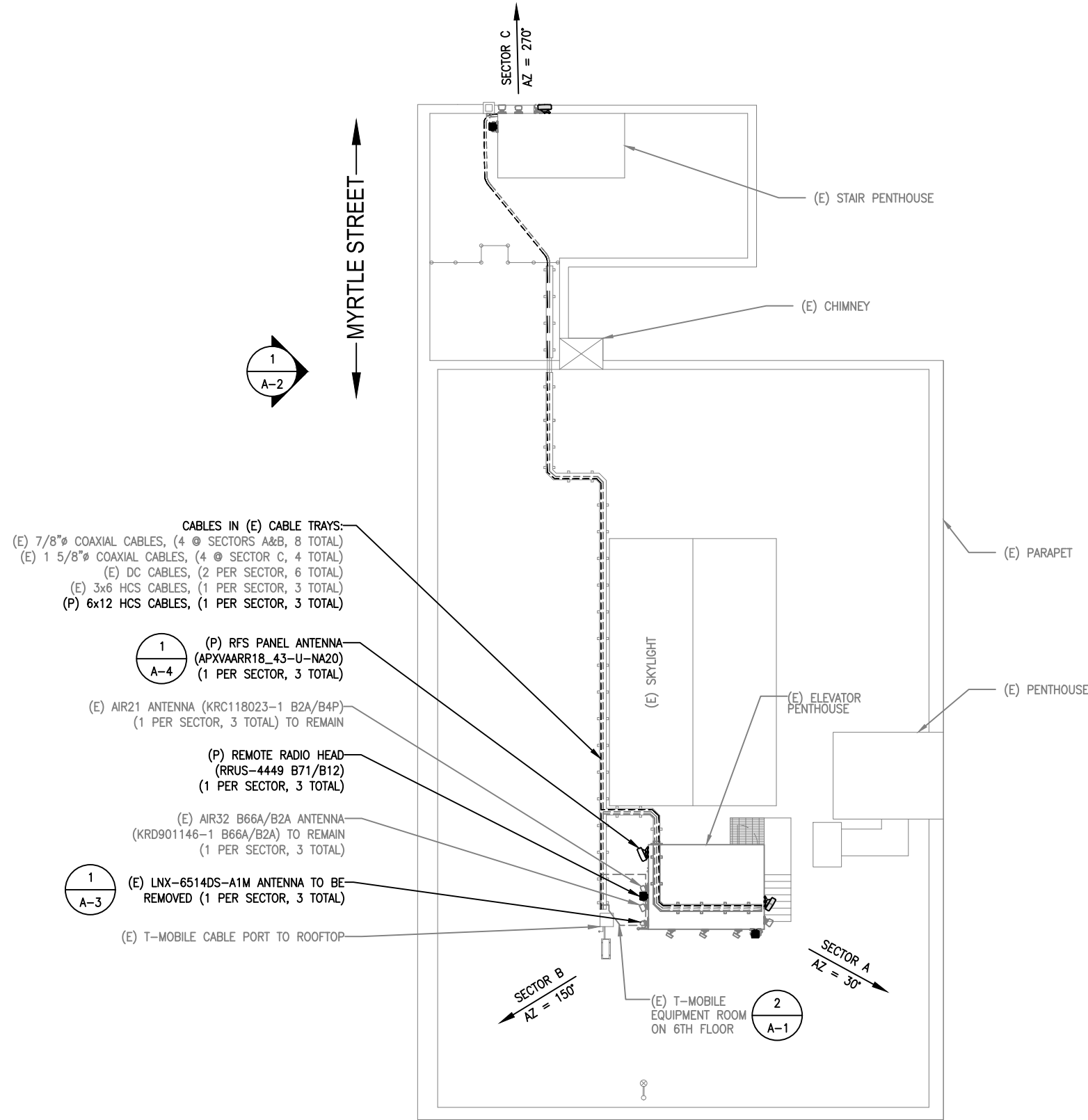
NO.	DATE	REVISIONS	BY	CHK
0	02/11/19	ISSUED FOR REVIEW	MER	MRC
1	05/14/19	ISSUED FOR CONSTRUCTION	MER	MRC

GENERAL NOTES

SHEET NO.

**GN-1**





- CABLES IN (E) CABLE TRAYS:**
- (E) 7/8" COAXIAL CABLES, (4 @ SECTORS A&B, 8 TOTAL)
  - (E) 1 5/8" COAXIAL CABLES, (4 @ SECTOR C, 4 TOTAL)
  - (E) DC CABLES, (2 PER SECTOR, 6 TOTAL)
  - (E) 3x6 HCS CABLES, (1 PER SECTOR, 3 TOTAL)
  - (P) 6x12 HCS CABLES, (1 PER SECTOR, 3 TOTAL)

1  
A-4 (P) RFS PANEL ANTENNA (APXVAARR18\_43-U-NA20) (1 PER SECTOR, 3 TOTAL)

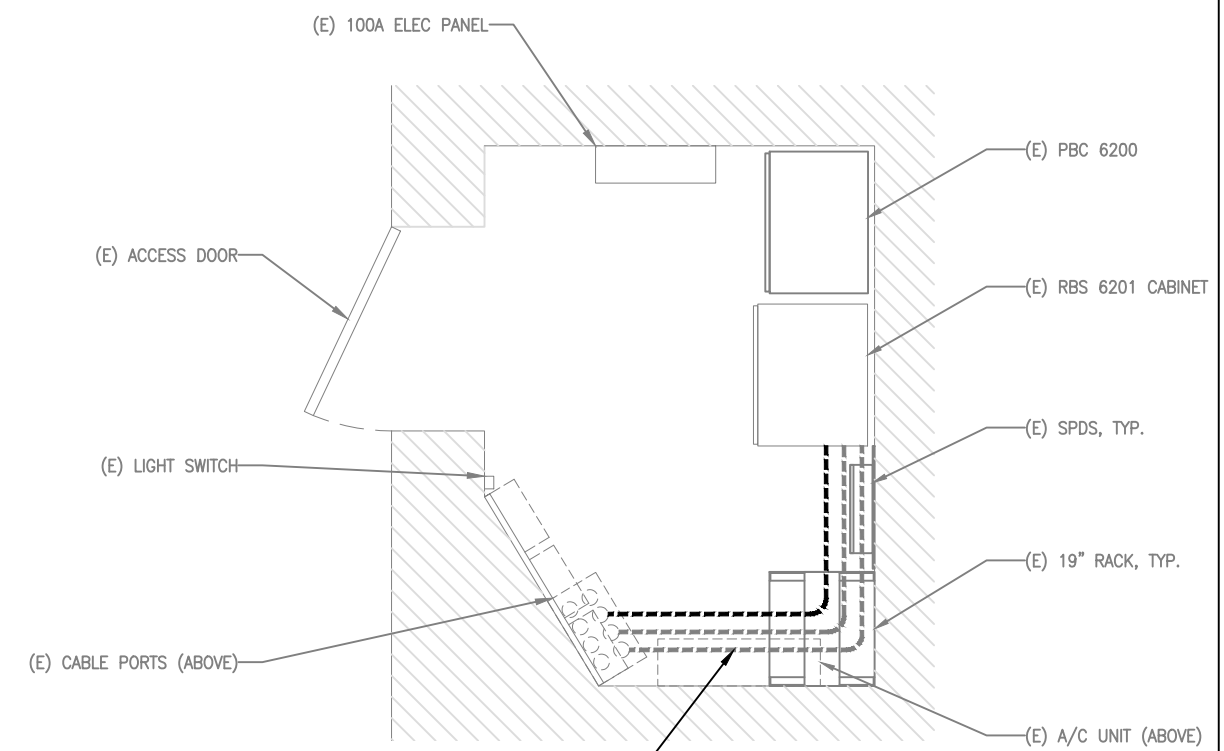
(E) AIR21 ANTENNA (KRC118023-1 B2A/B4P) (1 PER SECTOR, 3 TOTAL) TO REMAIN

(P) REMOTE RADIO HEAD (RRUS-4449 B71/B12) (1 PER SECTOR, 3 TOTAL)

(E) AIR32 B66A/B2A ANTENNA (KRD901146-1 B66A/B2A) TO REMAIN (1 PER SECTOR, 3 TOTAL)

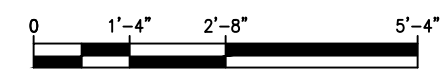
1  
A-3 (E) LNX-6514DS-A1M ANTENNA TO BE REMOVED (1 PER SECTOR, 3 TOTAL)

(E) T-MOBILE CABLE PORT TO ROOFTOP

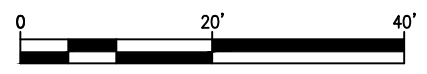


- CABLES IN (E) CABLE TRAYS:**
- (E) 7/8" COAXIAL CABLES, (4 @ SECTORS A&B, 8 TOTAL)
  - (E) 1 5/8" COAXIAL CABLES, (4 @ SECTOR C, 4 TOTAL)
  - (E) DC CABLES, (2 PER SECTOR, 6 TOTAL)
  - (E) 3x6 HCS CABLES, (1 PER SECTOR, 3 TOTAL)
  - (P) 6x12 HCS CABLES, (1 PER SECTOR, 3 TOTAL)

2  
A-1 EQUIPMENT PLAN SCALE: 3/8" = 1'-0"



1  
A-1 ROOF PLAN SCALE: 1" = 20"



NO.	DATE	REVISIONS	BY	CHK
0	02/11/19	ISSUED FOR REVIEW	MER	MRC
1	05/14/19	ISSUED FOR CONSTRUCTION	MER	MRC



### EQUIPMENT SCHEDULE

**CURRENT EQUIPMENT**

QUANTITY	DESCRIPTION
3	ERICSSON AIR21 B2A/B4P PANEL ANTENNAS
3	ERICSSON AIR32 B66A/B2A PANEL ANTENNAS
3	COMMSCOPE LNX-6514DS-A1M
3	ERICSSON RRUS-11-B12
3	GENERIC STYLE 1B TWIN AWS TMAs
8	7/8" COAXIAL CABLES
4	1 5/8" COAXIAL CABLES
3	3x6 HCS DC/FIBER CABLES
6	DC CABLES

**EQUIPMENT TO BE REMOVED**

3	COMMSCOPE LNX-6514DS-A1M
3	ERICSSON RRUS-11-B12

**EQUIPMENT TO BE ADDED**

3	RFS APXVAARR18_43-U-NA20 PANEL ANTENNAS
3	ERICSSON RADIO 4449
3	6x12 HCS DC/FIBER CABLES

**FINAL EQUIPMENT CONFIGURATION**

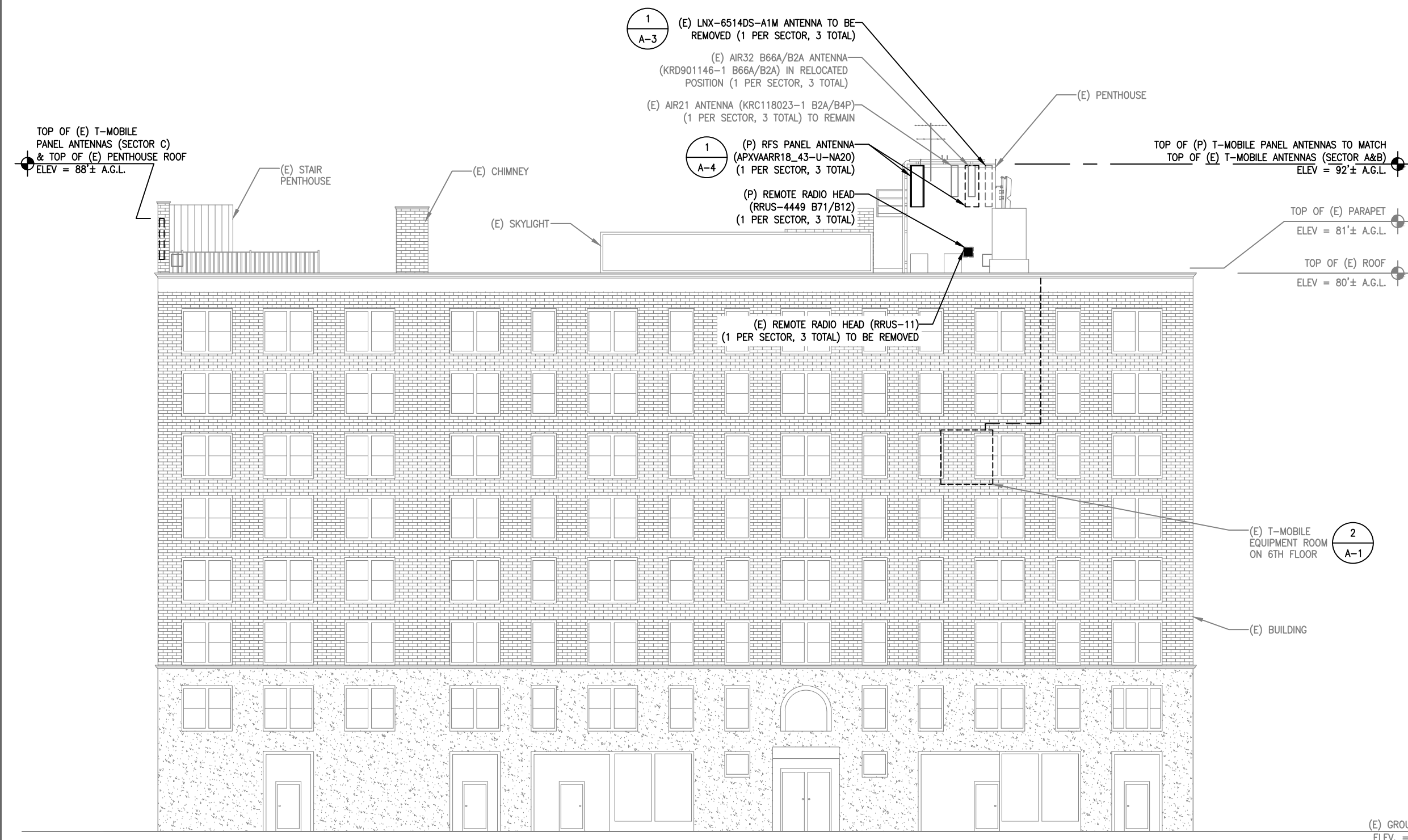
3	ERICSSON AIR21 B2A/B4P PANEL ANTENNAS
3	ERICSSON AIR32 B66A/B2A PANEL ANTENNAS
3	RFS APXVAARR18_43-U-NA20 PANEL ANTENNAS
3	ERICSSON RADIO 4449
3	GENERIC STYLE 1B TWIN AWS TMAs
8	7/8" COAXIAL CABLES
4	1 5/8" COAXIAL CABLES
4	3x6 HCS DC/FIBER CABLES
6	DC CABLES
3	6x12 HCS DC/FIBER CABLES

EXISTING EQUIPMENT CABINETS WILL NOT CHANGE

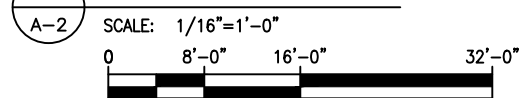
### RF CONFIGURATION 67D92DB INDOOR

**SCOPE OF WORK**

- REMOVE (3) PANEL ANTENNAS & MOUNTS, (1) PER SECTOR
- REMOVE (3) REMOTE RADIO HEADS, (1) PER SECTOR
- INSTALL (3) NEW PANEL ANTENNAS & MOUNTS, (1) PER SECTOR
- INSTALL (4) NEW REMOTE RADIO HEADS, (1) PER SECTOR
- INSTALL (3) NEW HCS CABLES, (1) PER SECTOR



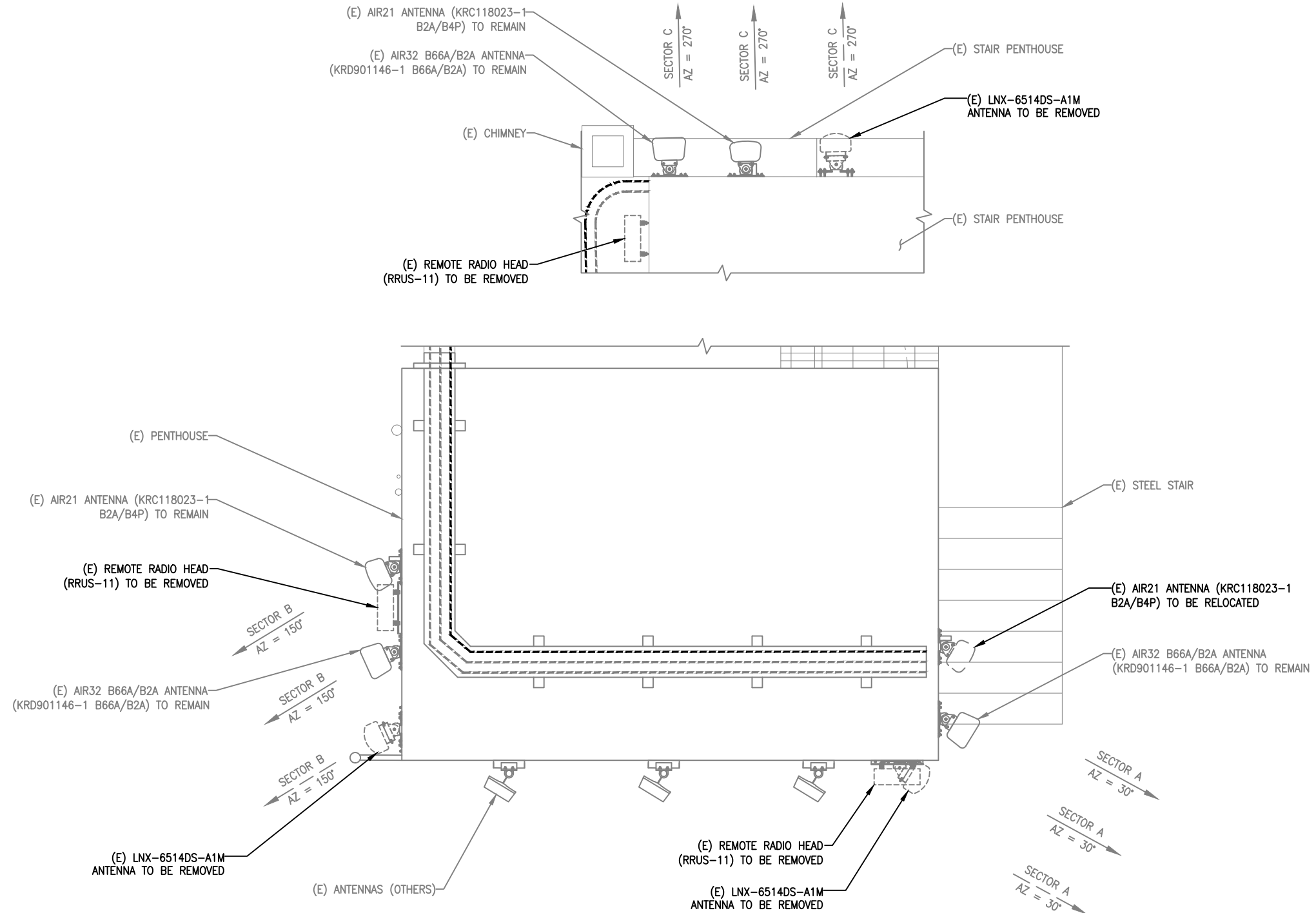
### 1 SOUTH ELEVATION



NO.	DATE	REVISIONS	BY	CHK
0	02/11/19	ISSUED FOR REVIEW	MER	MRC
1	05/14/19	ISSUED FOR CONSTRUCTION	MER	MRC

ELEVATION	
SHEET NO.	<b>A-2</b>



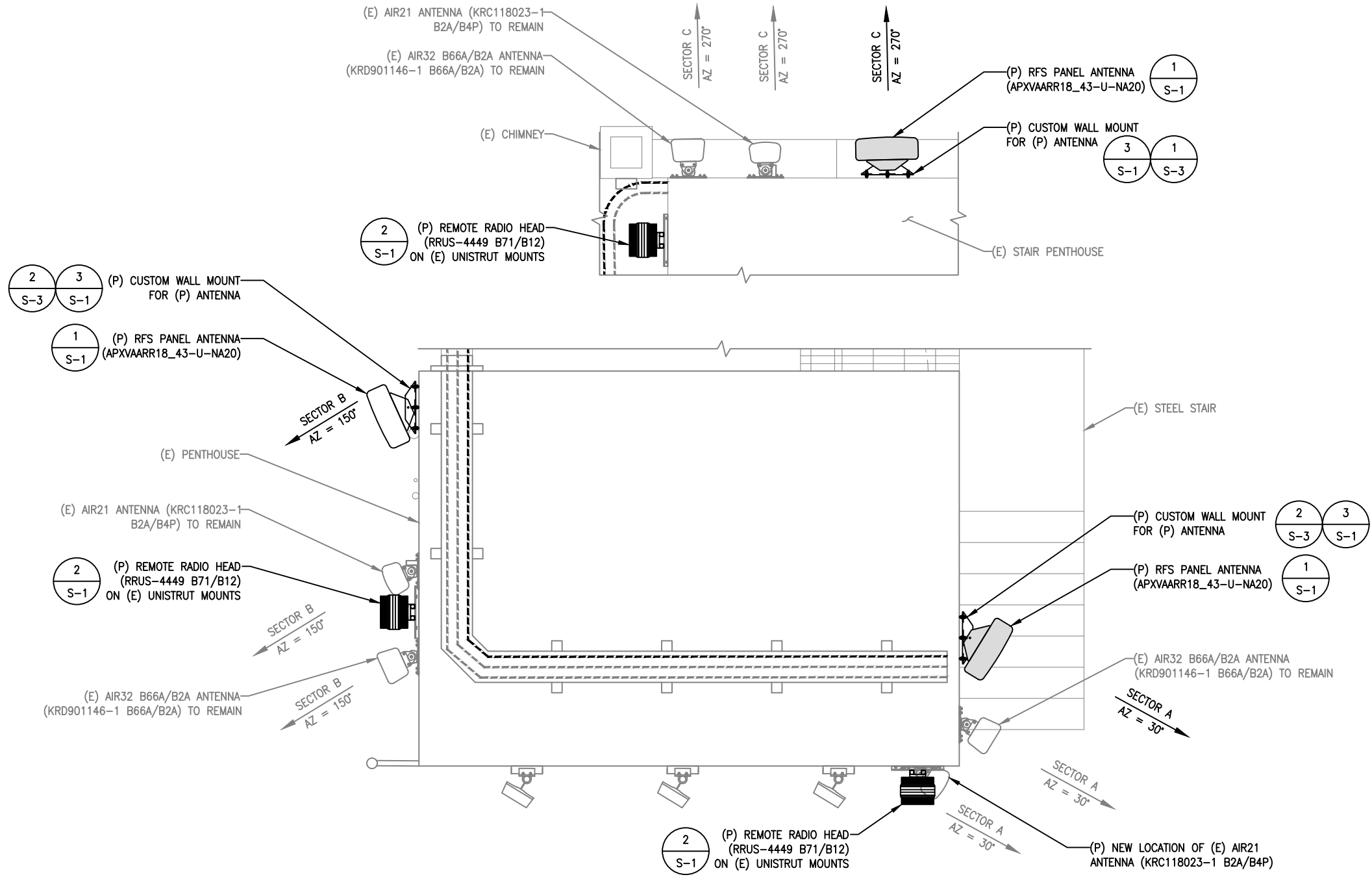


1  
A-3  
NORTH  
EXISTING ANTENNA PLAN  
SCALE: 1/4"=1'-0"  
0 2'-0" 4'-0" 8'-0"



NO.	DATE	REVISIONS	BY	CHK
0	02/11/19	ISSUED FOR REVIEW	MER	MRC
1	05/14/19	ISSUED FOR CONSTRUCTION	MER	MRC



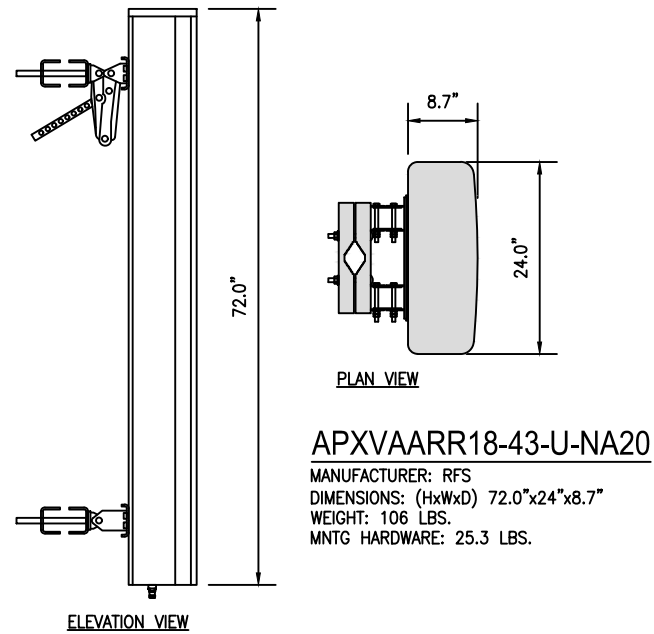


**PROPOSED ANTENNA PLAN**  
 SCALE: 1/4"=1'-0"  
 0 2'-0" 4'-0" 8'-0"  
 NORTH

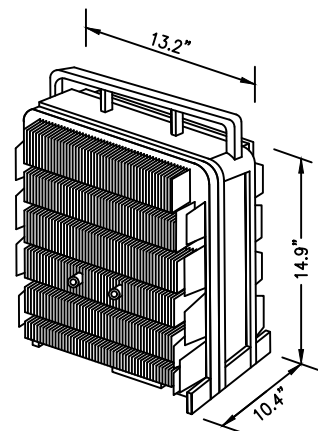


NO.	DATE	REVISIONS	BY	CHK
0	02/11/19	ISSUED FOR REVIEW	MER	MRC
1	05/14/19	ISSUED FOR CONSTRUCTION	MER	MRC



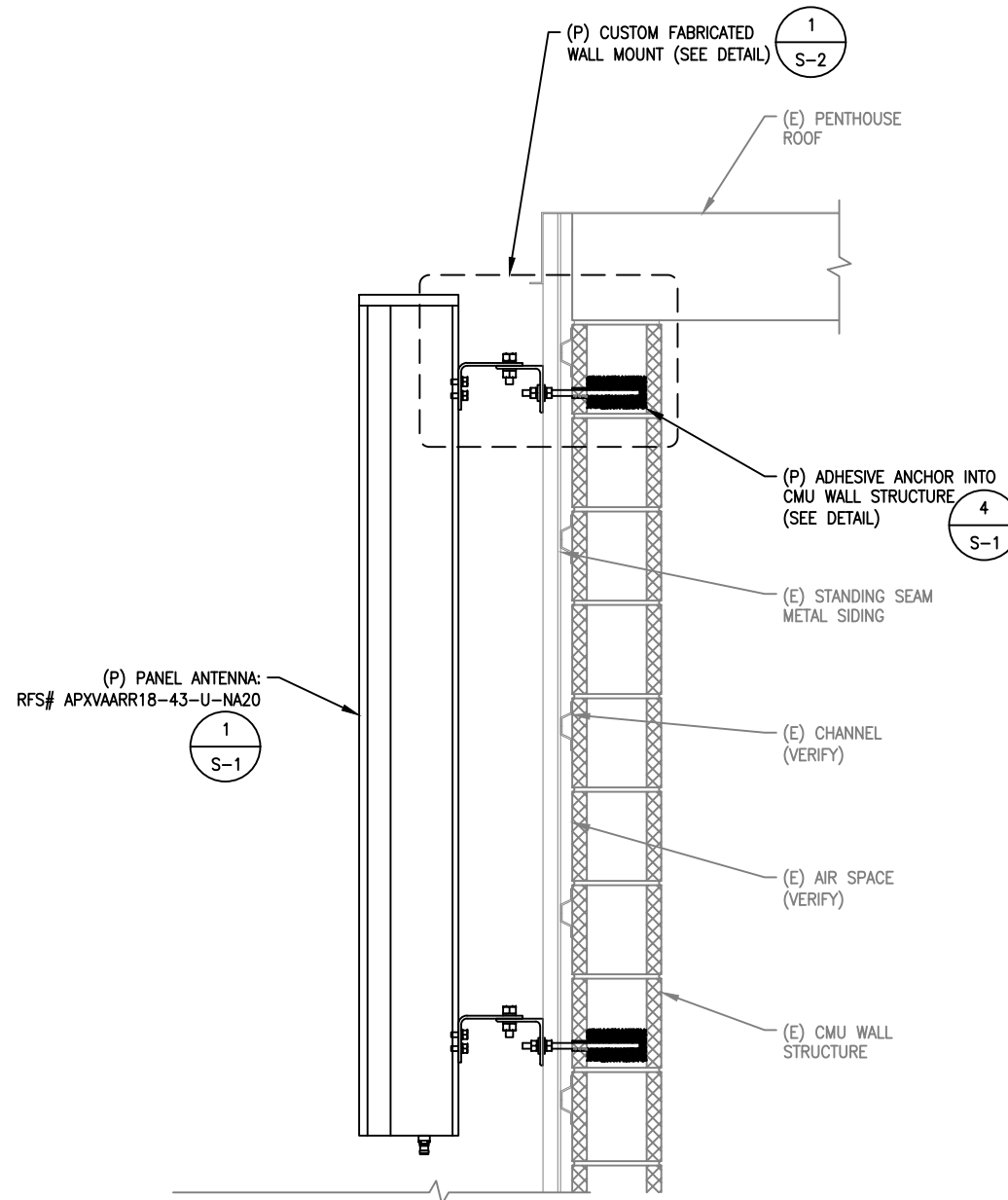


1 TYP. ANTENNA DETAIL  
 S-1 SCALE: N.T.S.

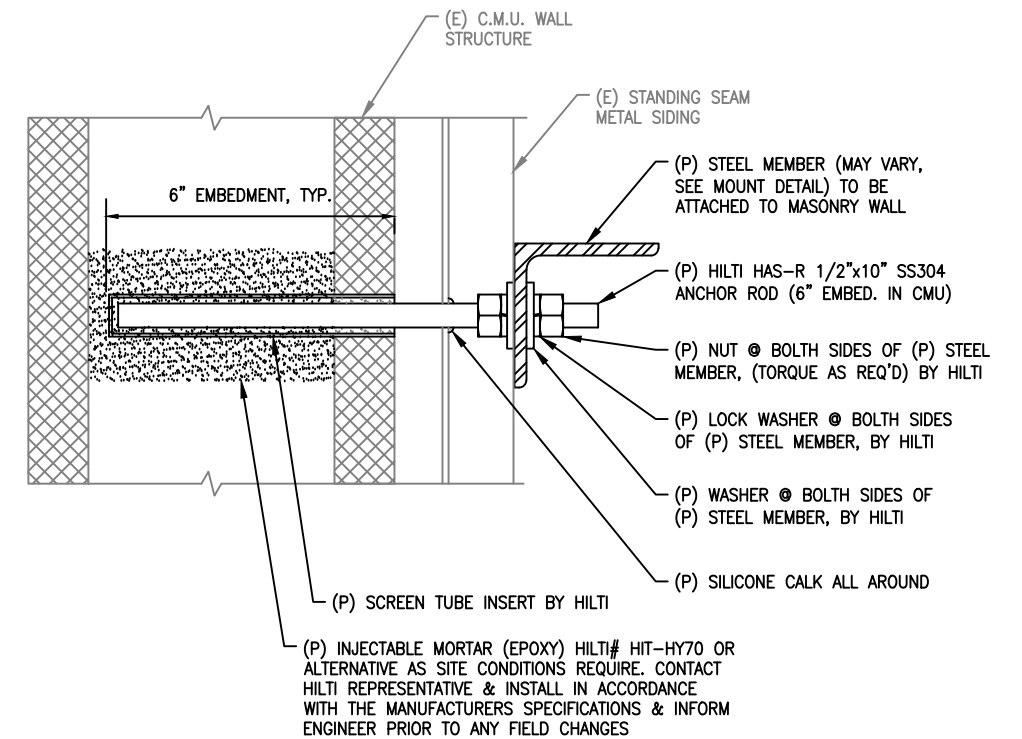


**RRUS-4449 B71/B12**  
 MANUFACTURER: ERICSSON  
 DIMENSIONS (HxWxD): 14.9"x13.2"x10.4"  
 WEIGHT: 74 LBS

2 REMOTE RADIO HEAD (RRH) DETAILS  
 S-1 SCALE: N.T.S.



3 ANTENNA MOUNT DETAIL  
 S-1 SCALE: 3/4" = 1'-0"

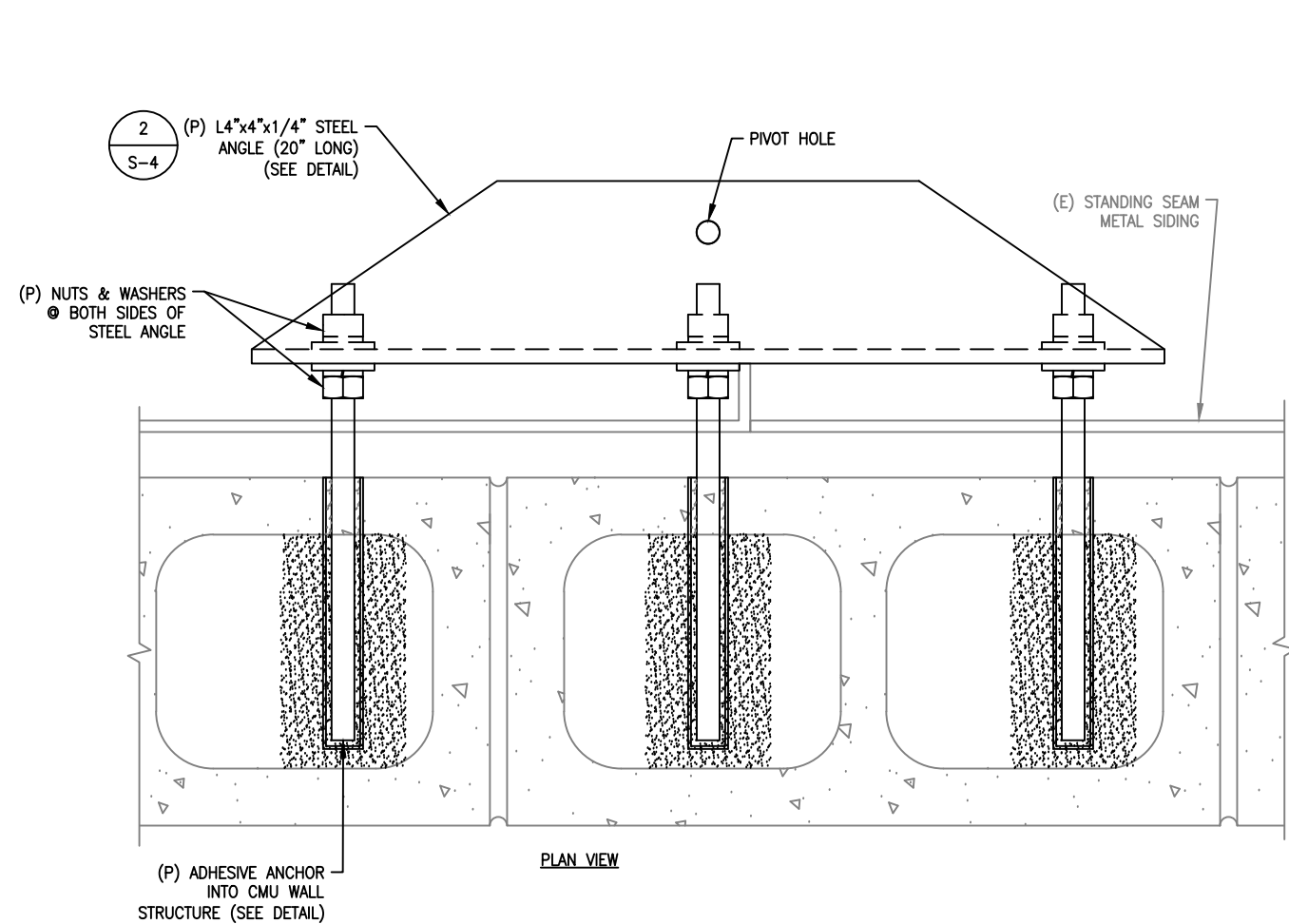
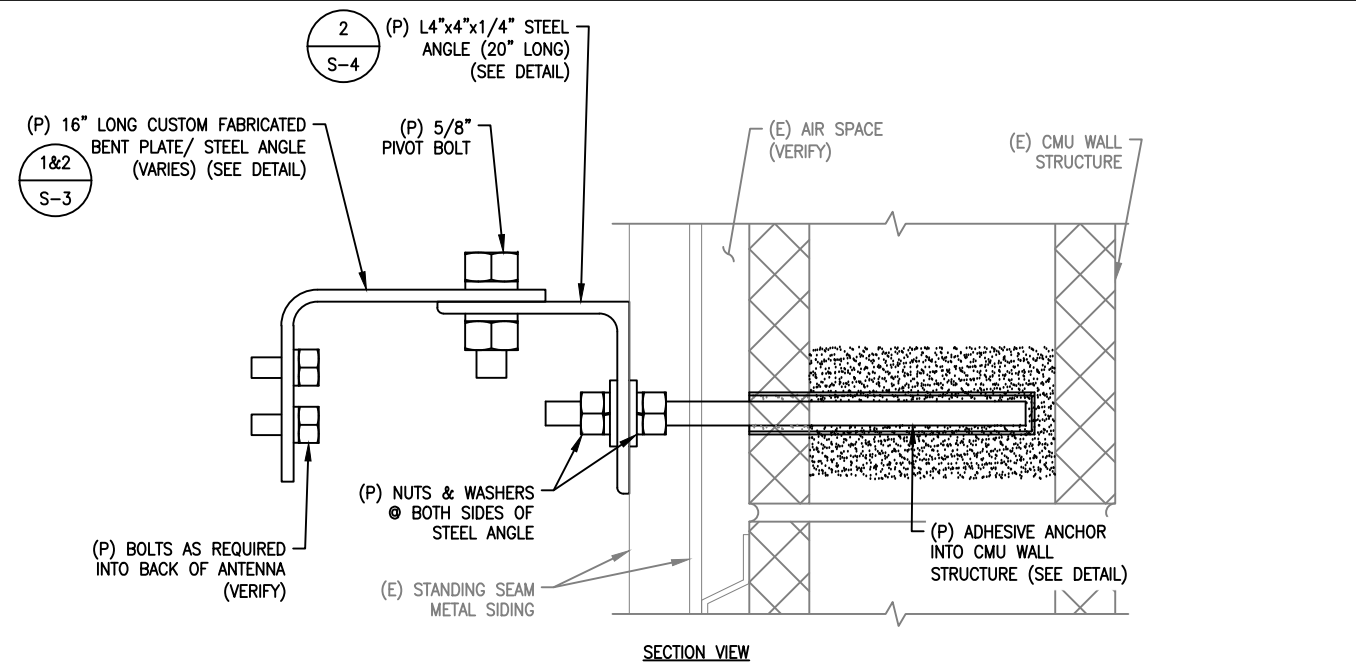


4 WALL ANCHOR DETAIL  
 S-1 SCALE: 3" = 1'-0"

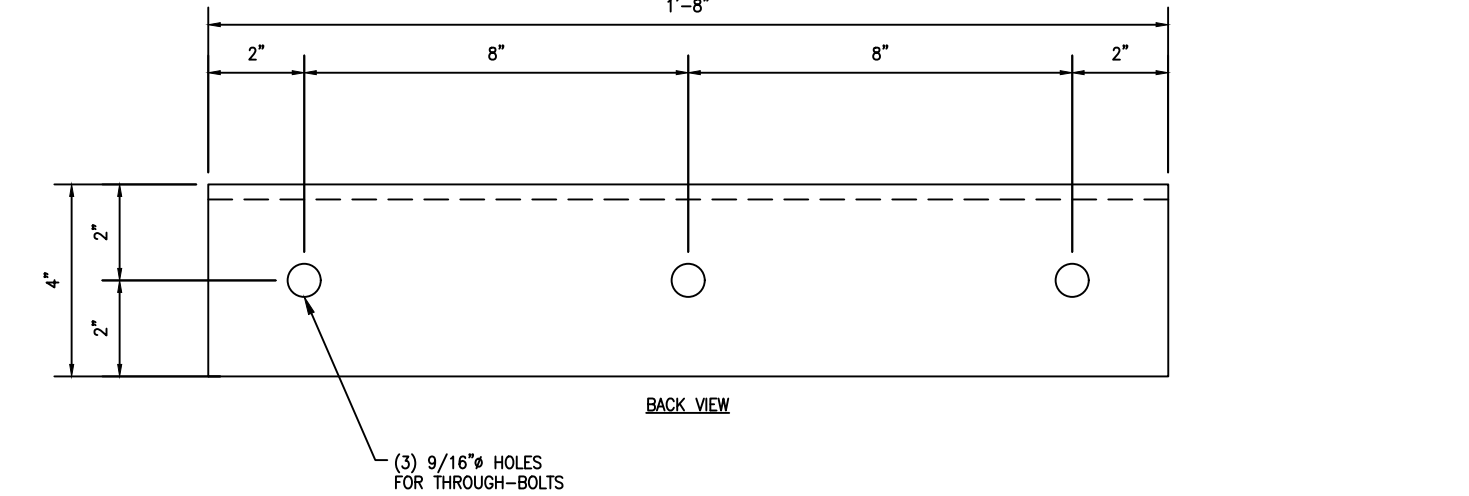
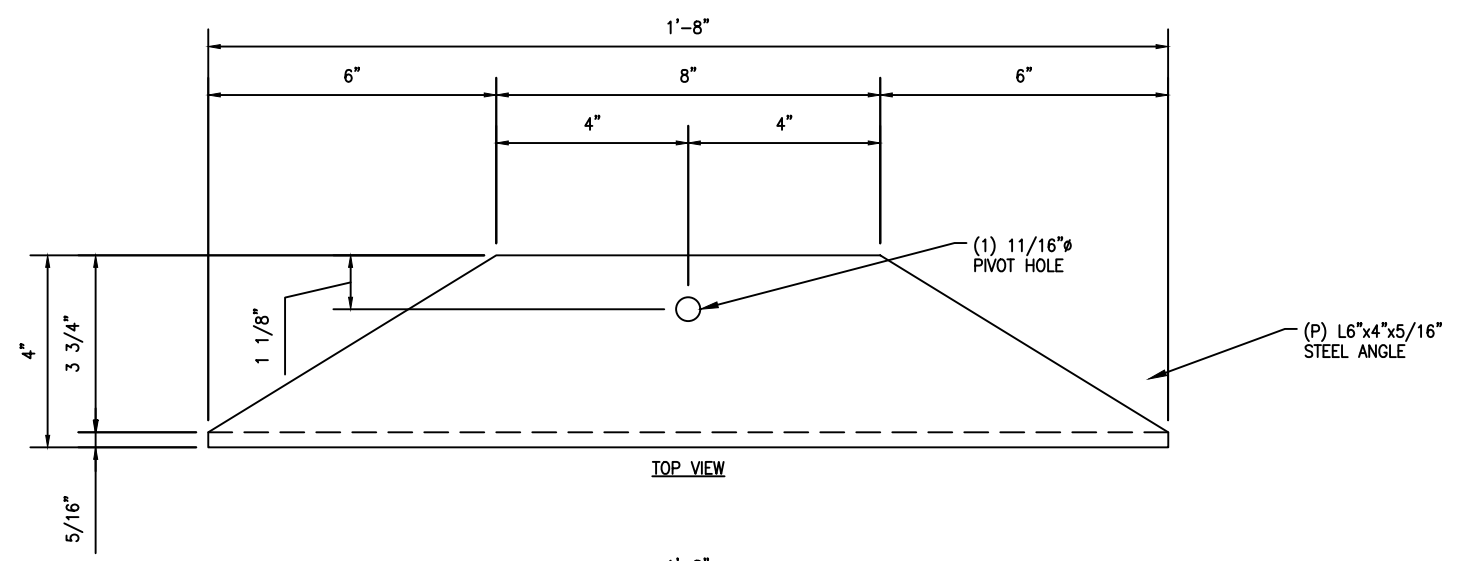


NO.	DATE	REVISIONS	BY	CHK
0	02/11/19	ISSUED FOR REVIEW	MER	MRC
1	05/14/19	ISSUED FOR CONSTRUCTION	MER	MRC





1 WALL MOUNT DETAIL  
S-2 SCALE: 3" = 1'-0"

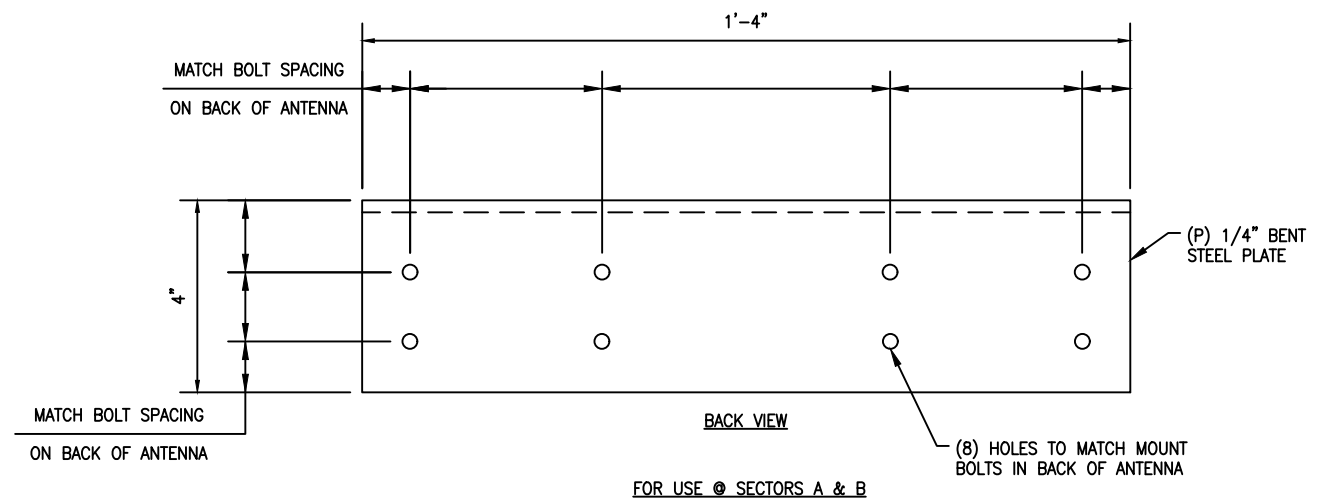
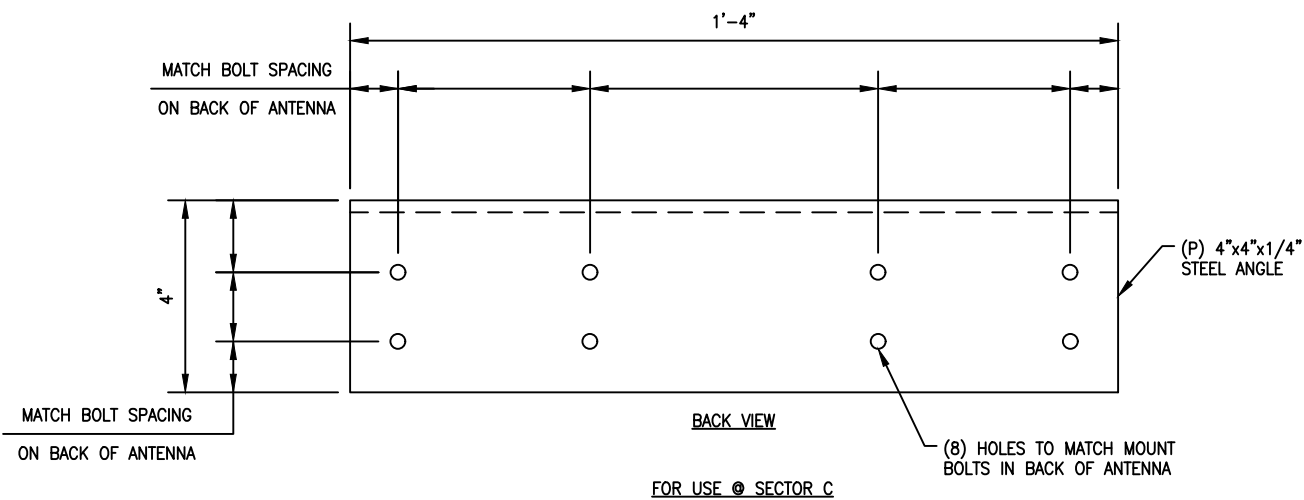
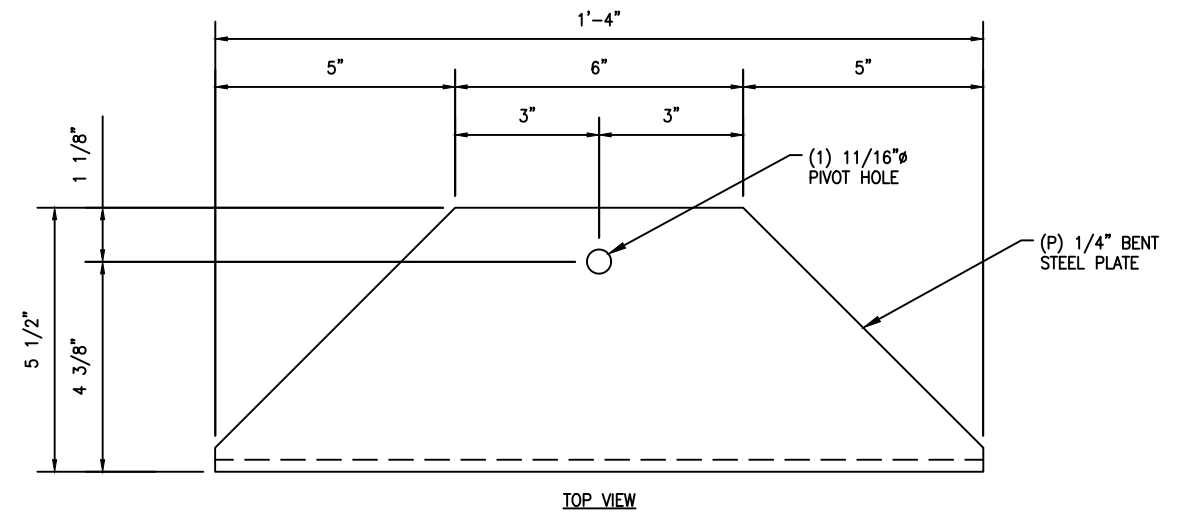
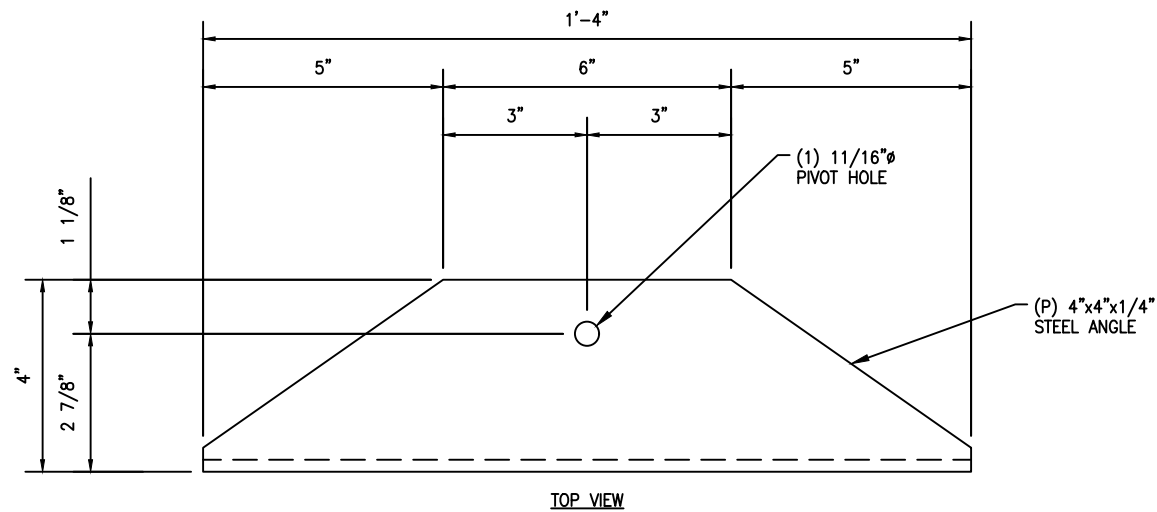


2 WALL MOUNT ANGLE DETAIL  
S-2 SCALE: 3" = 1'-0"



NO.	DATE	REVISIONS	BY	CHK
0	02/11/19	ISSUED FOR REVIEW	MER	MRC
1	05/14/19	ISSUED FOR CONSTRUCTION	MER	MRC





1 ANTENNA BACK DETAIL (ANGLE)  
S-3 SCALE: 3" = 1'-0"

2 ANTENNA BACK DETAIL (BENT PLATE)  
S-3 SCALE: 3" = 1'-0"



NO.	DATE	REVISIONS	BY	CHK
0	02/11/19	ISSUED FOR REVIEW	MER	MRC
1	05/14/19	ISSUED FOR CONSTRUCTION	MER	MRC



