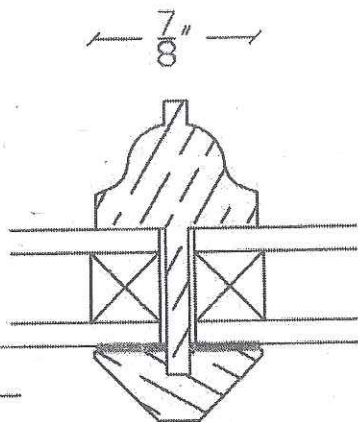
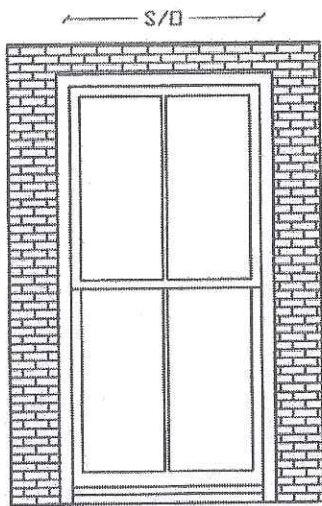
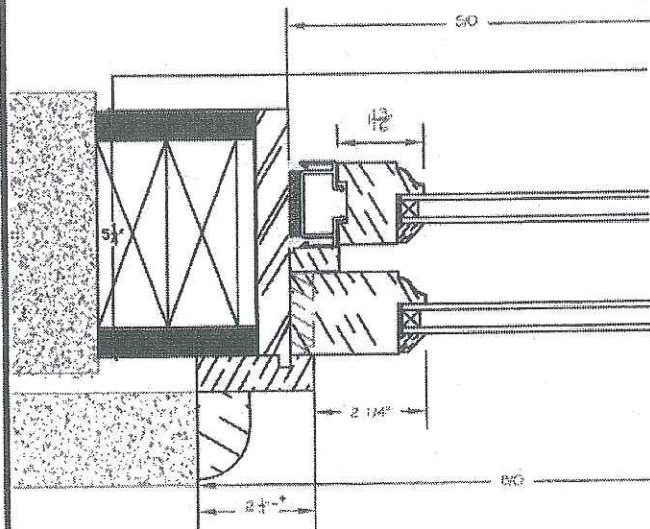


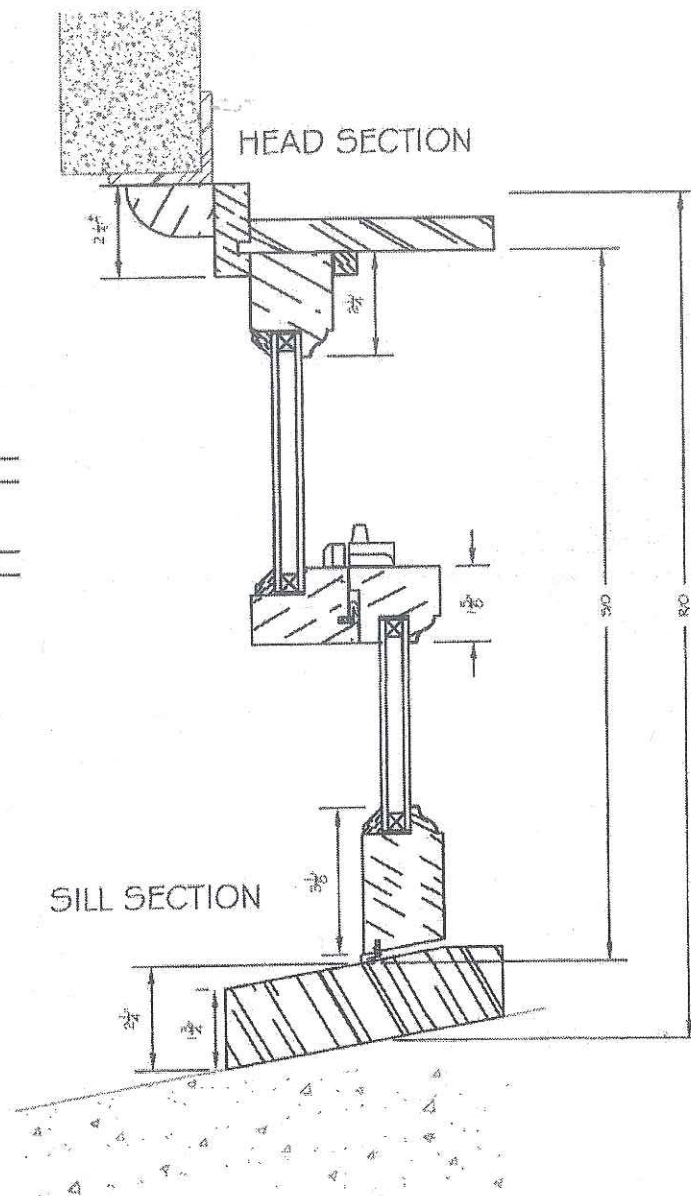
JB PROPER BOSTONIAN SH WINDOW UNIT



T.D.L. BAR
FULL SCALE



JAMB SECTION



SHEET 1

OF 1

JBPB SH REPL/UNIT - 2/2

DEALER: JB SASH & DOOR CO., INC.
NUMBER: DATE: 02/26/16

CHECK:

DRAWN: R.L.B.

