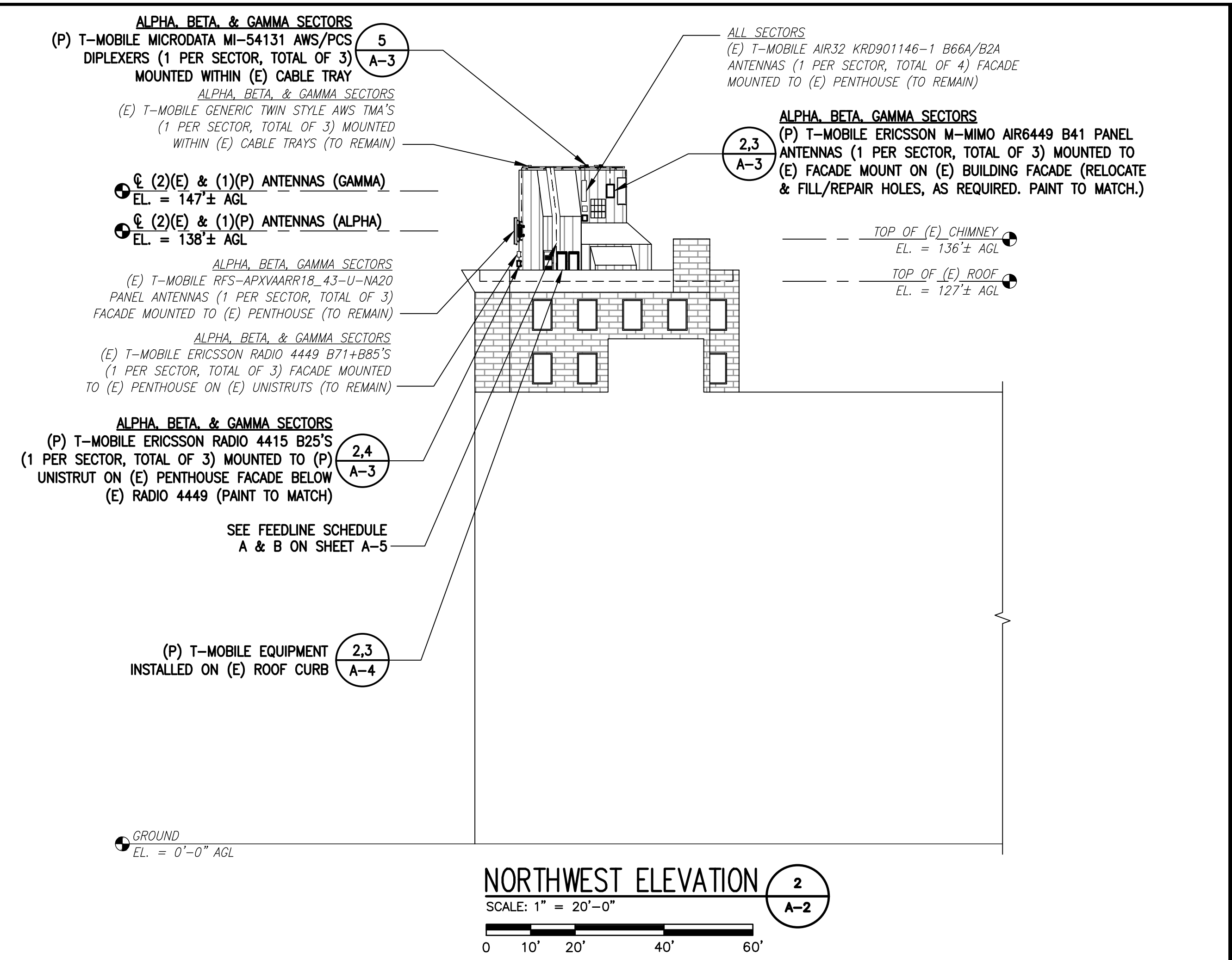
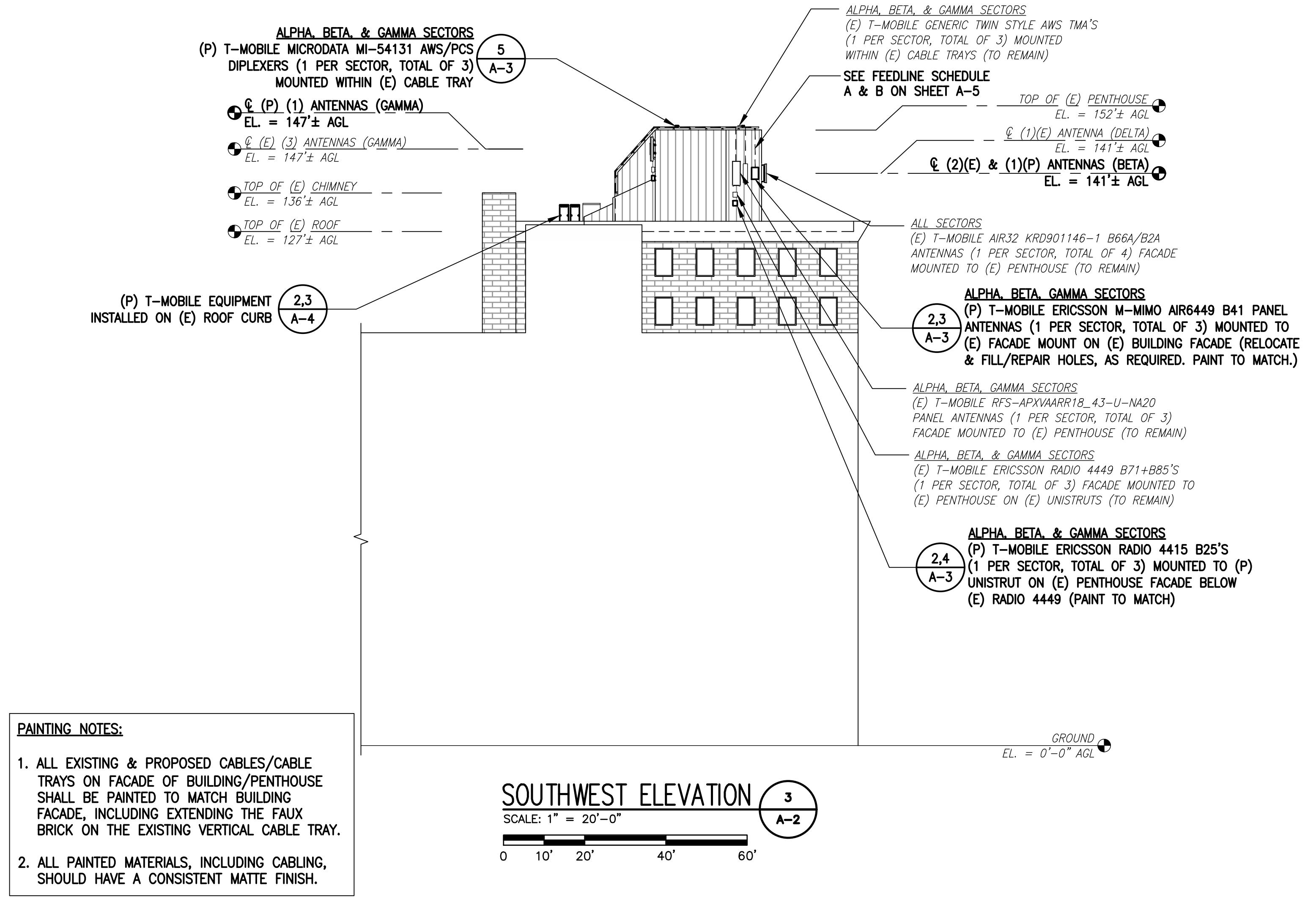


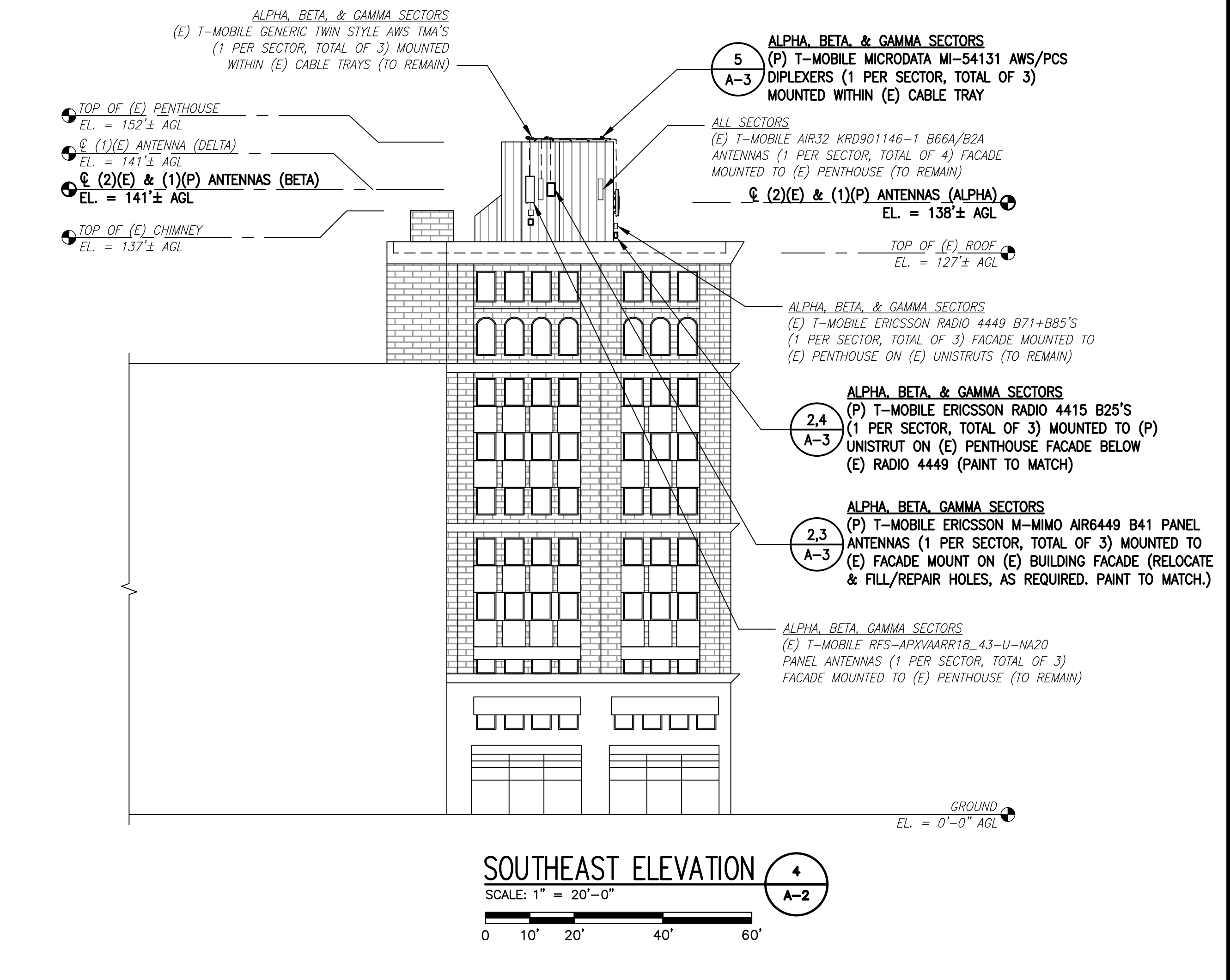
NORTHEAST ELEVATION 1
SCALE: 1" = 20'-0"
0 10' 20' 40' 60'



NORTHWEST ELEVATION 2
SCALE: 1" = 20'-0"
0 10' 20' 40' 60'



SOUTHWEST ELEVATION 3
SCALE: 1" = 20'-0"
0 10' 20' 40' 60'



SOUTHEAST ELEVATION 4
SCALE: 1" = 20'-0"
0 10' 20' 40' 60'

PAINTING NOTES:

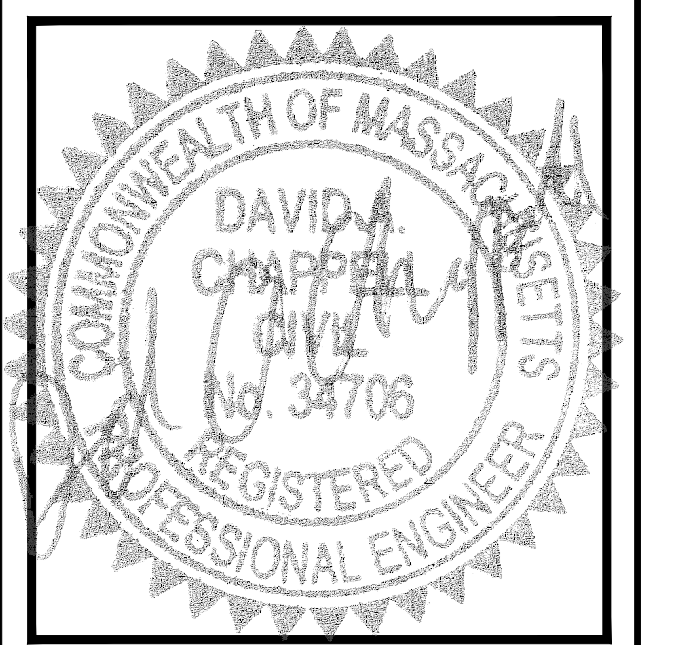
1. ALL EXISTING & PROPOSED CABLES/CABLE TRAYS ON FACADE OF BUILDING/PENTHOUSE SHALL BE PAINTED TO MATCH BUILDING FACADE, INCLUDING EXTENDING THE FAUX BRICK ON THE EXISTING VERTICAL CABLE TRAY.
2. ALL PAINTED MATERIALS, INCLUDING CABLING, SHOULD HAVE A CONSISTENT MATTE FINISH.

Mobile

T-MOBILE NORTHEAST LLC
15 COMMERCE WAY, SUITE B
NORTON, MA 02766
OFFICE: (508) 286-2700

CHAPPELL ENGINEERING ASSOCIATES, LLC
Civil · Structural · Land Surveying

R.K. EXECUTIVE CENTRE
201 BOSTON POST ROAD WEST
SUITE 101
MARLBOROUGH, MA 01752
(508)481-7400
www.chappellengineering.com



APPROVALS

LICENSOR _____

LEASING _____

R.F. _____

ZONING _____

CONSTRUCTION _____

A/E _____

PROJECT NO: 4DE1225D

DRAWN BY: JRV

CHECKED BY: JMT

VERSION

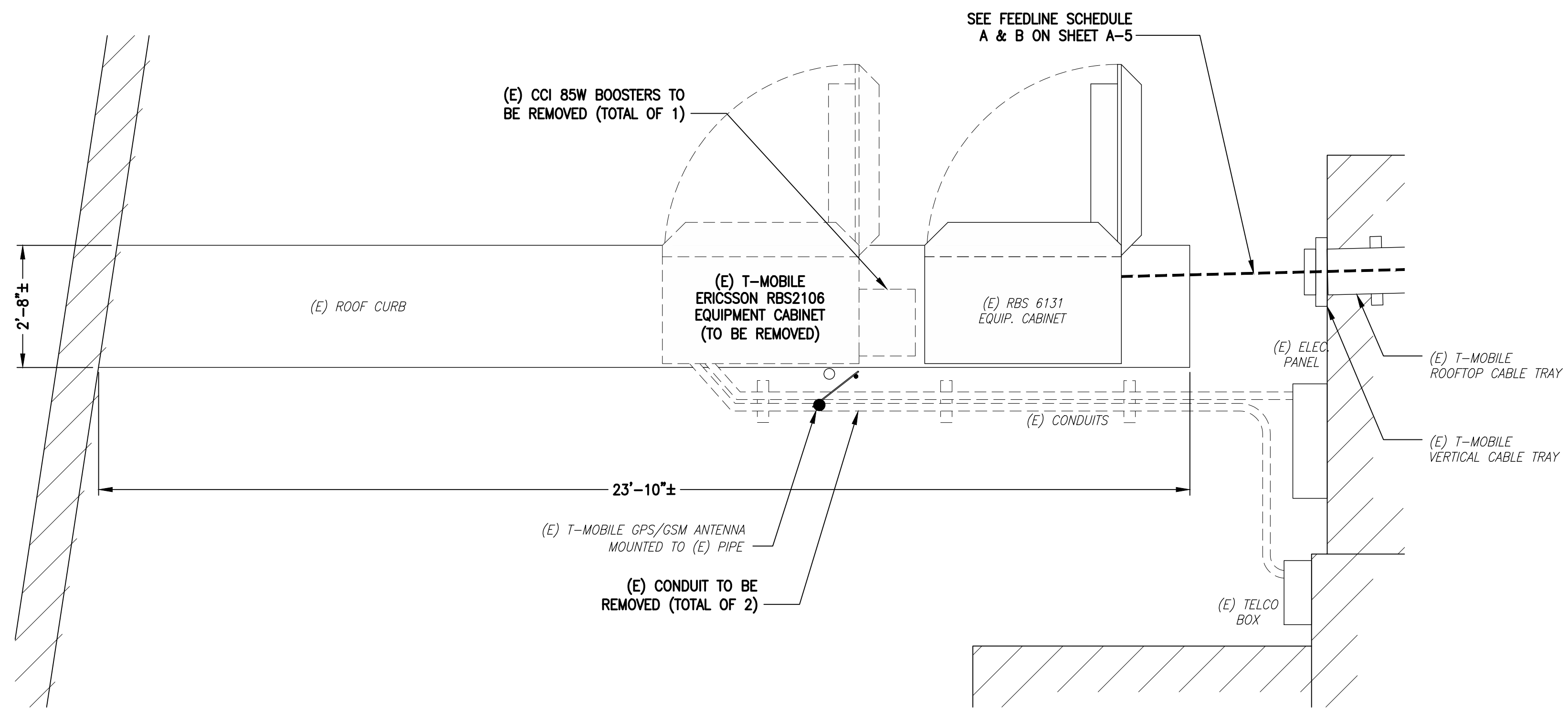
NO.	DATE	DESCRIPTION
1	09/03/20	CONSTRUCTION REVIEW
0	08/08/19	CONSTRUCTION REVIEW

THIS DOCUMENT IS THE CREATION, DESIGN, PROPERTY AND COPYRIGHTED WORK OF T-MOBILE NORTHEAST LLC. ANY DUPLICATION OR USE WITHOUT EXPRESS WRITTEN CONSENT IS STRICTLY PROHIBITED. DUPLICATION AND USE BY GOVERNMENT AGENCIES FOR THE PURPOSES OF CONDUCTING THEIR LAWFULLY AUTHORIZED REGULATORY AND ADMINISTRATIVE FUNCTIONS IS SPECIFICALLY ALLOWED.

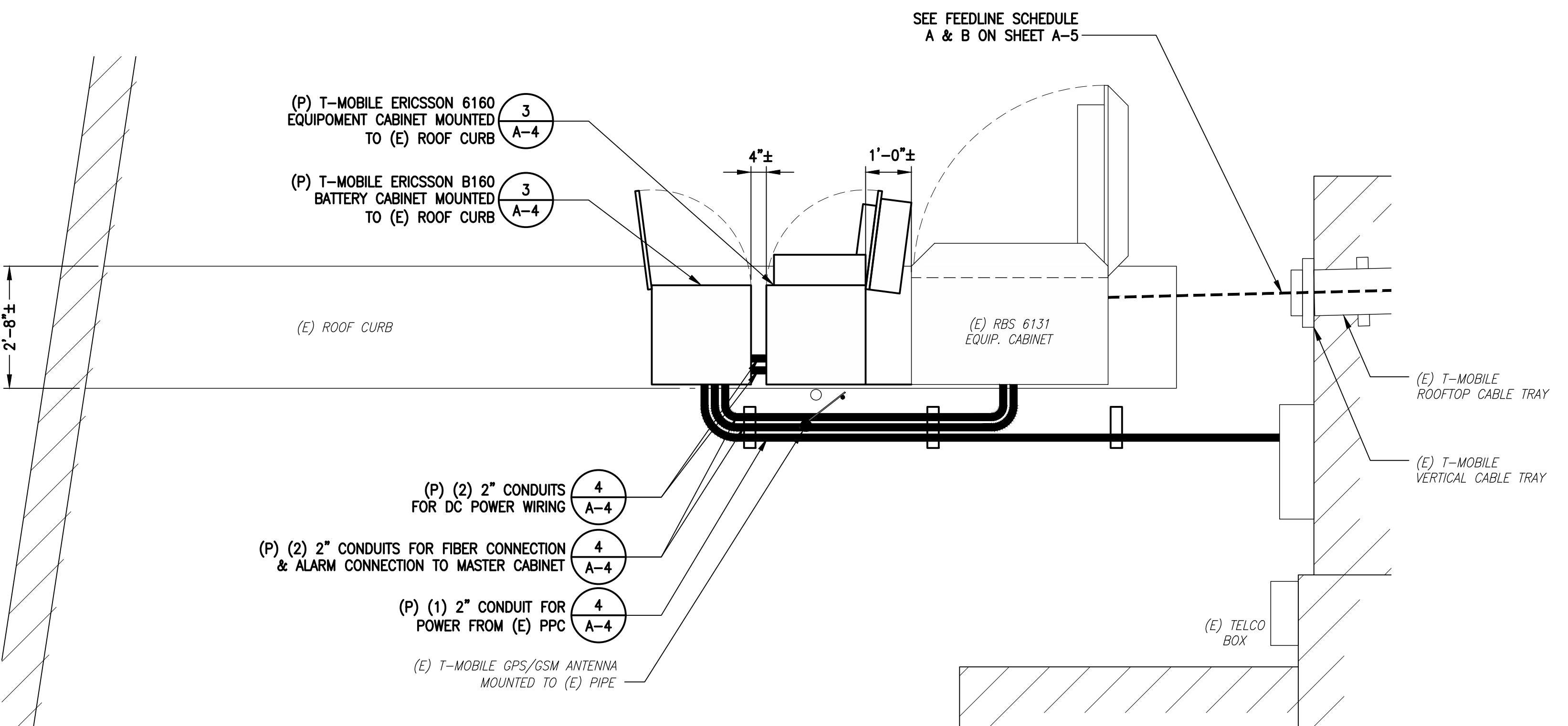
4DE1225D
B0225/373
WASHINGTON
373 WASHINGTON STREET
BOSTON, MA 02108

SHEET TITLE
BUILDING ELEVATIONS

SHEET NUMBER
A-2



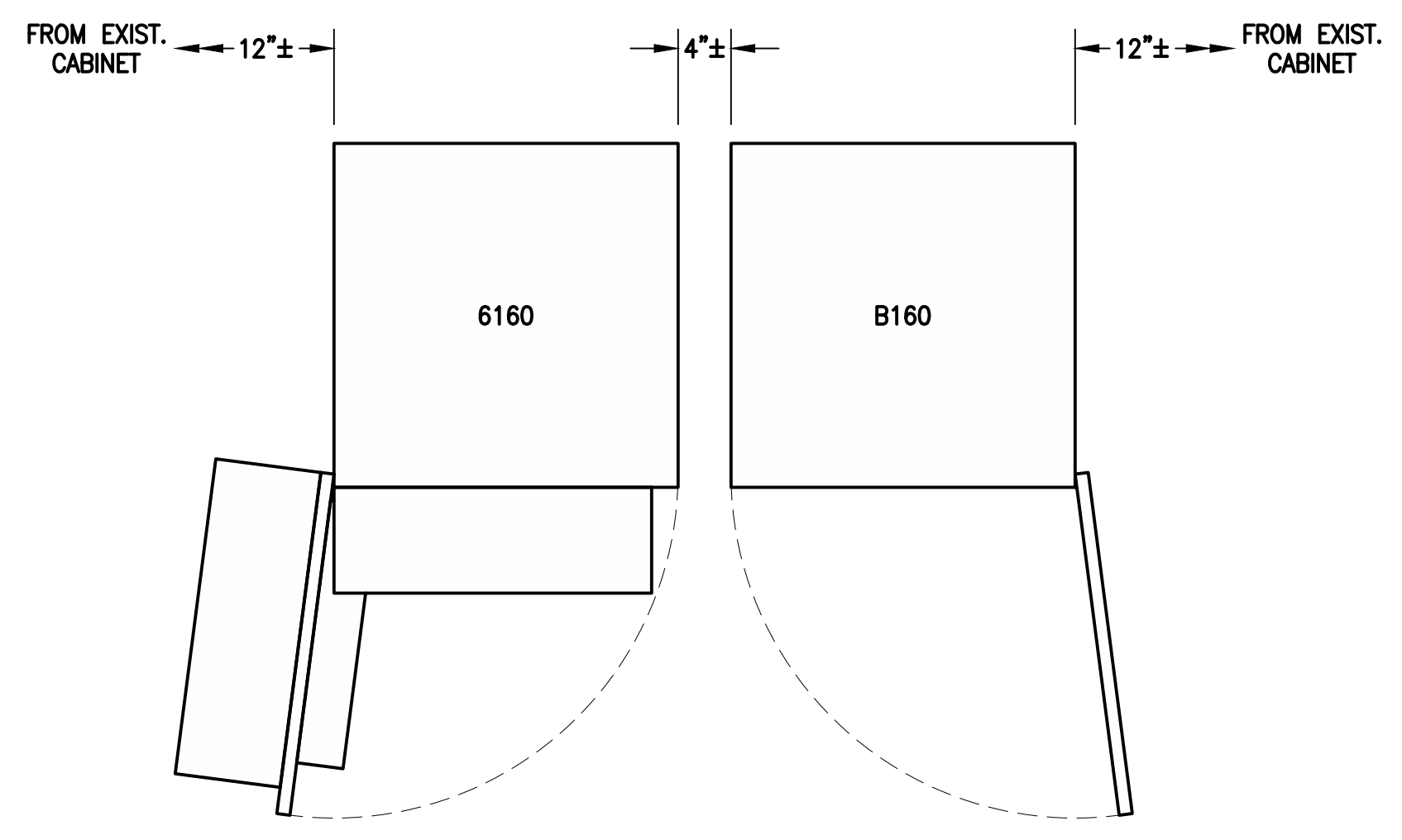
(E) EQUIPMENT PLAN 1
SCALE: 1/2" = 1'-0"
A-4



EQUIPMENT PLAN 2
SCALE: 1/2" = 1'-0"
A-3

PAINTING NOTES:

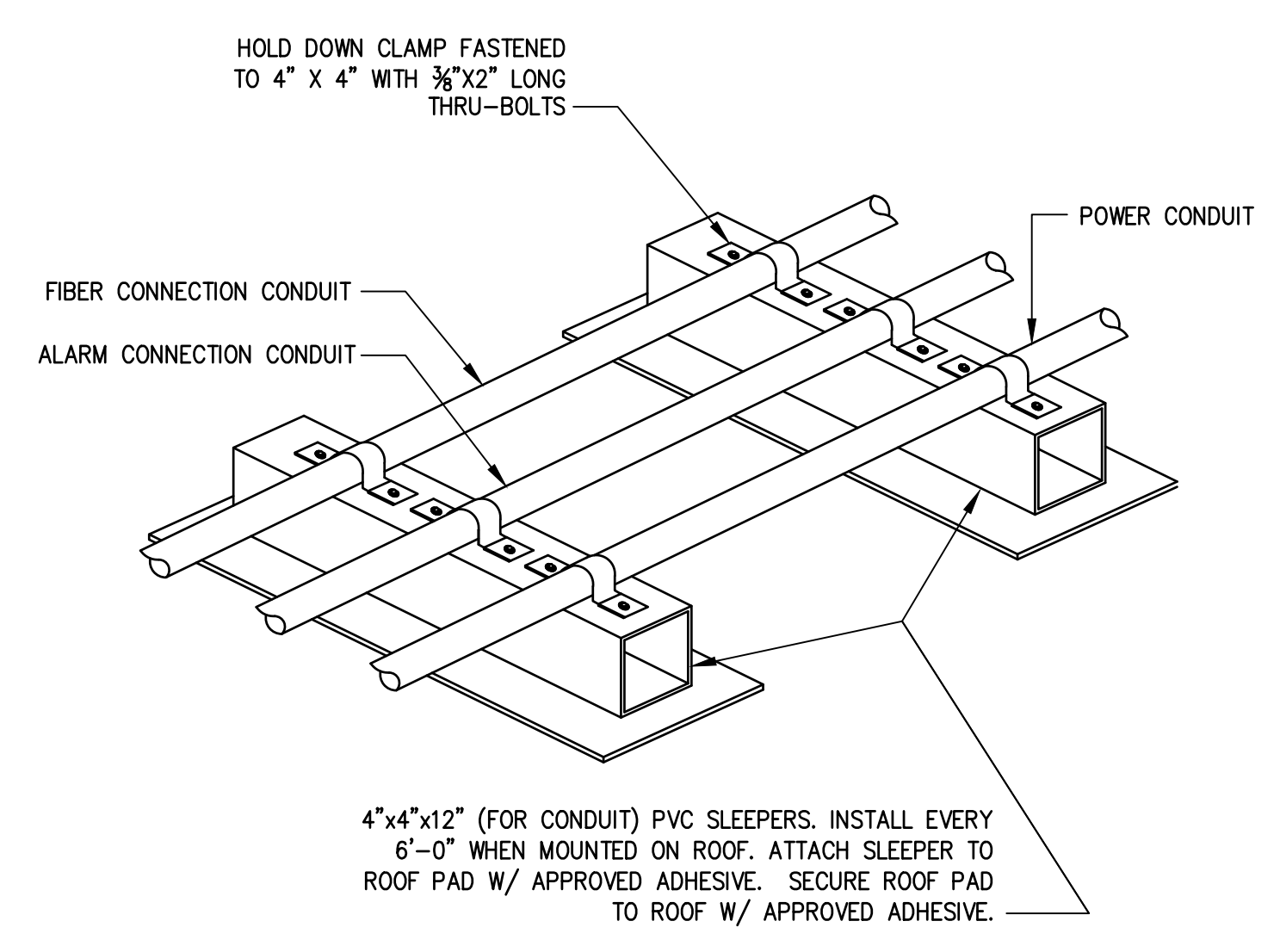
1. ALL EXISTING & PROPOSED CABLES/CABLE TRAYS ON FACADE OF BUILDING/PENTHOUSE SHALL BE PAINTED TO MATCH BUILDING FACADE, INCLUDING EXTENDING THE FAUX BRICK ON THE EXISTING VERTICAL CABLE TRAY.
2. ALL PAINTED MATERIALS, INCLUDING CABLING, SHOULD HAVE A CONSISTENT MATTE FINISH.



ERICSSON 6160 SITE SUPPORT CABINET
DIMENSIONS: 63.25"H x 26.0"W x 34.0"D
TOTAL OF 1

ERICSSON B160 BATTERY CABINET
DIMENSIONS: 63.25"H x 26.0"W x 26.0"D
TOTAL OF 1

EQUIPMENT DETAIL 3
SCALE: N.T.S.
A-4



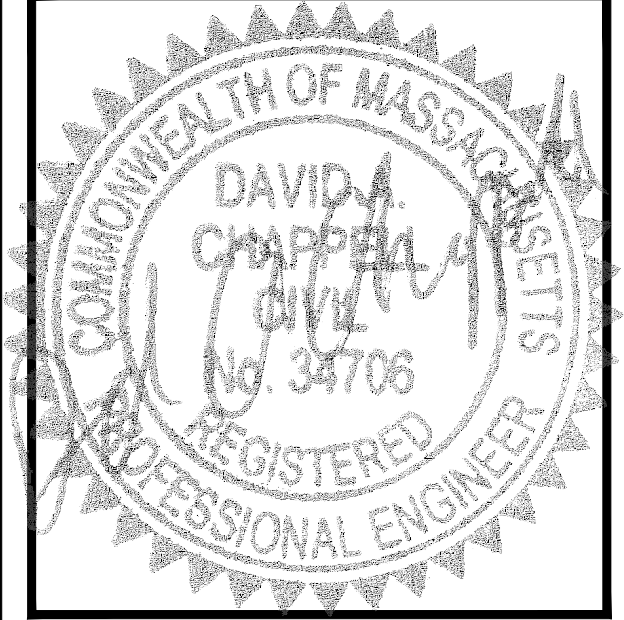
CONDUIT SUPPORT ON ROOF 4
SCALE: NOT TO SCALE
A-4

T-Mobile

T-MOBILE NORTHEAST LLC
15 COMMERCE WAY, SUITE B
NORTON, MA 02766
OFFICE: (508) 286-2700

CHAPPELL ENGINEERING ASSOCIATES, LLC
Civil · Structural · Land Surveying

R.K. EXECUTIVE CENTRE
201 BOSTON POST ROAD WEST
SUITE 101
MARLBOROUGH, MA 01752
(508) 481-7400
www.chappellengineering.com



APPROVALS

LICENSOR _____

LEASING _____

R.F. _____

ZONING _____

CONSTRUCTION _____

A/E _____

PROJECT NO: 4DE1225D

DRAWN BY: JRV

CHECKED BY: JMT

VERSION

NO.	DATE	DESCRIPTION
1	09/03/20	CONSTRUCTION REVIEW
0	08/08/19	CONSTRUCTION REVIEW

THIS DOCUMENT IS THE CREATION, DESIGN, PROPERTY AND COPYRIGHTED WORK OF T-MOBILE NORTHEAST LLC. ANY DUPLICATION OR USE WITHOUT EXPRESS WRITTEN CONSENT IS STRICTLY PROHIBITED. DUPLICATION AND USE BY GOVERNMENT AGENCIES FOR THE PURPOSES OF CONDUCTING THEIR LAWFULLY AUTHORIZED REGULATORY AND ADMINISTRATIVE FUNCTIONS IS SPECIFICALLY ALLOWED.

4DE1225D
B0225/373
WASHINGTON
373 WASHINGTON STREET
BOSTON, MA 02108

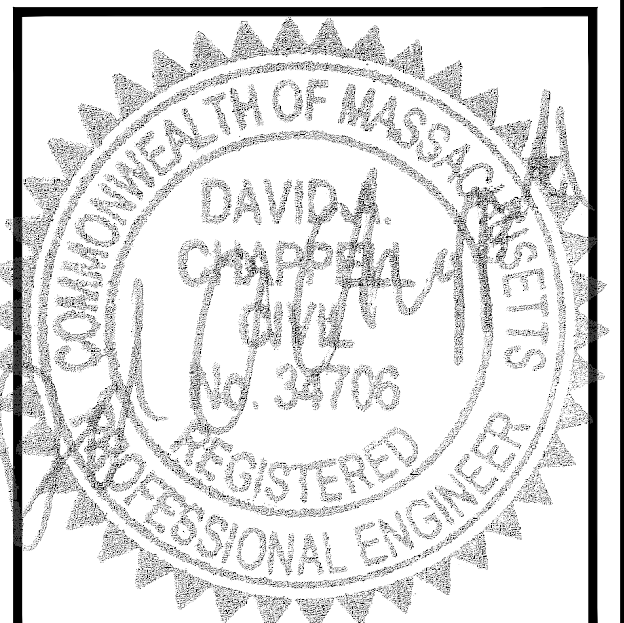
SHEET TITLE
EQUIPMENT PLANS & DETAILS

SHEET NUMBER
A-4



Civil · Structural · Land Surveying

R.K. EXECUTIVE CENTRE
201 BOSTON POST ROAD WEST
SUITE 101
MARLBOROUGH, MA 01752
(508)481-7400
www.chappellengineering.com



APPROVALS

LICENSOR _____

LEASING _____

R.F. _____

ZONING _____

CONSTRUCTION _____

A/E _____

PROJECT NO: 4DE1225D

DRAWN BY: JRV

CHECKED BY: JMT

VERSION		
1	09/03/20	CONSTRUCTION REVIEW
0	08/08/19	CONSTRUCTION REVIEW

THIS DOCUMENT IS THE CREATION, DESIGN, PROPERTY AND COPYRIGHTED WORK OF T-MOBILE NORTHEAST LLC. ANY DUPLICATION OR USE WITHOUT EXPRESS WRITTEN CONSENT IS STRICTLY PROHIBITED. DUPLICATION AND USE BY GOVERNMENT AGENCIES FOR THE PURPOSES OF CONDUCTING THEIR LAWFULLY AUTHORIZED REGULATORY AND ADMINISTRATIVE FUNCTIONS IS SPECIFICALLY ALLOWED.

4DE1225D
B0225/373
WASHINGTON
373 WASHINGTON STREET
BOSTON, MA 02108

SHEET TITLE
ANTENNA & FEEDLINE CHARTS

SHEET NUMBER
A-5

FINAL ANTENNA CONFIGURATION

SECTOR	ANTENNA	RAD CENTER	AZIMUTH (TRUE NORTH)	MECHANICAL DOWNTILT	ELECTRICAL DOWNTILT	BAND	TMA/RADIOS	CABLES
ALPHA	ERICSSON M-MIMO AIR6449 B41	138'± AGL	40°	0°	2'	L2500/N2500	-	(6) 7/8" COAX CABLES (4) 1-3/4" (3x6) HCS FIBER CABLES (3) 1-5/8" (6x12) HCS FIBER CABLES
	ERICSSON AIR32 KRD901146-1 B66A/B2A	138'± AGL	40°	0°	6'	L2100	-	
					6'	L1900/G1900	-	
					5'	L700/L600/N600	RADIO 4449 B71+B85	
	RFS APXVAARR18_43-U-NA20	138'± AGL	40°	0°	2'	L1900/U2100	RADIO 4415 B25 MI-54131 DIPLEXER GENERIC TWIN STYLE 1B AWS TMA	
BETA	ERICSSON M-MIMO AIR6449 B41	141'± AGL	150°	0°	2'	L2500/N2500	-	
	ERICSSON AIR32 KRD901146-1 B66A/B2A	141'± AGL	150°	0°	6'	L2100	-	
					6'	L1900/G1900	-	
					5'	L700/L600/N600	RADIO 4449 B71+B85	
	RFS APXVAARR18_43-U-NA20	141'± AGL	150°	0°	2'	L1900/U2100	RADIO 4415 B25 MI-54131 DIPLEXER GENERIC TWIN STYLE 1B AWS TMA	
GAMMA	RFS APXVAARR18_43-U-NA20	147'± AGL	300°	0°	5'	L700/L600/N600	RADIO 4449 B71+B85	
					2'	L1900/U2100	RADIO 4415 B25 MI-54131 DIPLEXER GENERIC TWIN STYLE 1B AWS TMA	
	ERICSSON M-MIMO AIR6449 B41	147'± AGL	300°	0°	2'	L2500/N2500	-	
	ERICSSON AIR32 KRD901146-1 B66A/B2A	147'± AGL	300°	0°	6'	L2100	-	
					6'	L1900/G1900	-	
GAMMA	ERICSSON AIR32 KRD901146-1 B66A/B2A				6'	L1900/G1900	-	

CABLE NOTE: EXISTING (6) 7/8" COAX CABLES (CAPPED & WRAPPED) TO REMAIN DISCONNECTED. SEE FEEDLINE SCHEDULE A & B BELOW.

NOTE: RFDS REV9 - 07/28/20

FEEDLINE SCHEDULE

SCHEDULE	FEEDLINES	LOCATION
A	EXISTING TO REMAIN: (6) 7/8" COAX CABLES (6) 7/8" COAX CABLES (CAPPED & WRAPPED) (4) 1-3/4" (3x6) HCS FIBER CABLES (3) 1-5/8" (6x12) HCS FIBER CABLES (1) 1/2" COAX CABLE FOR GPS ANTENNA EXISTING TO BE REMOVED: NONE	ROUTED PER STRUCTURAL ANALYSIS
B	PROPOSED: (3) 1-5/8" (6x12) HCS FIBER CABLES	
NOTE: EXISTING T-MOBILE EQUIPMENT FEEDLINE INVENTORY BASED ON OBSERVED FIELD CONDITIONS. RFDS AND FEEDLINE LEASING ENTITLEMENTS MAY DIFFER.		

