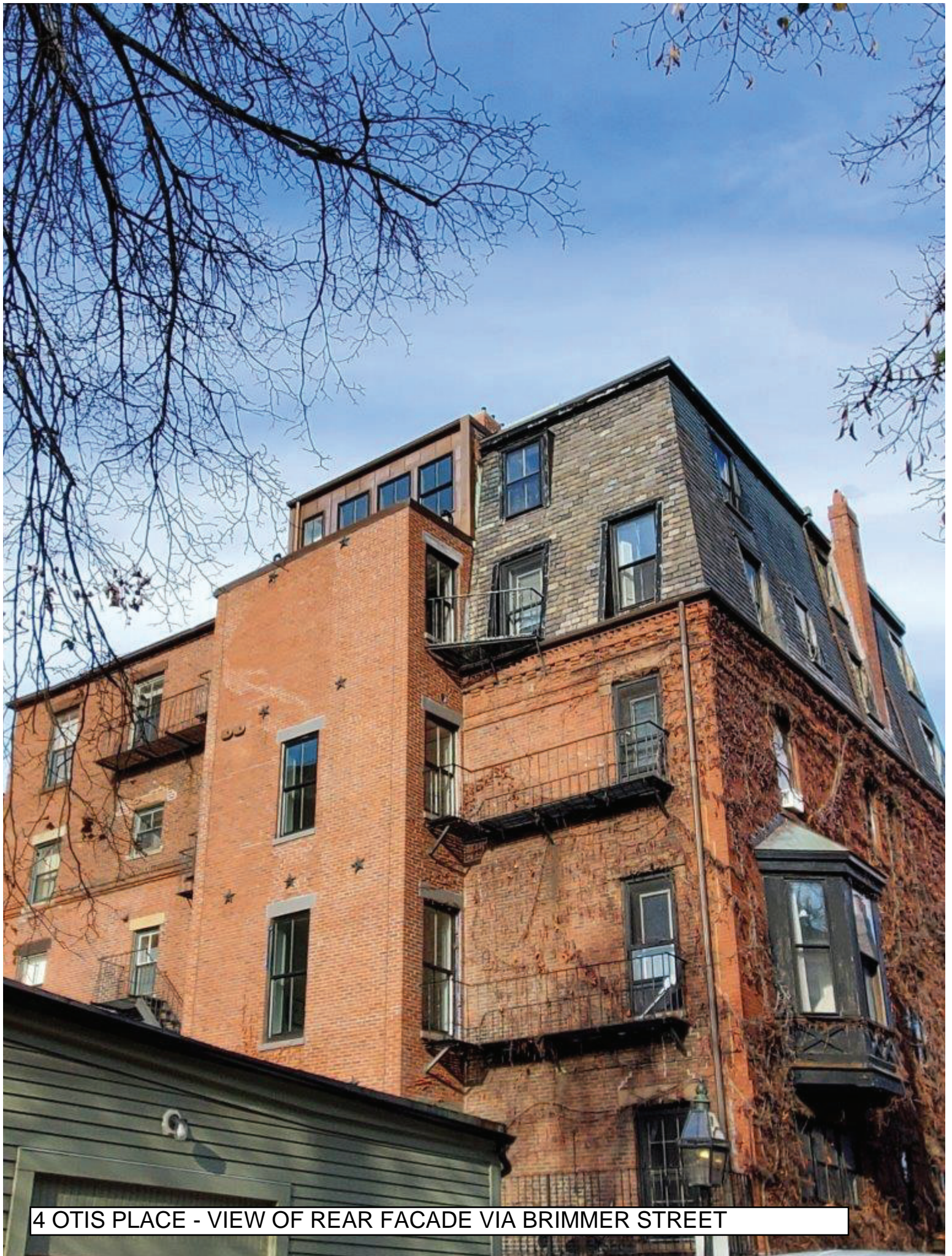


4 OTIS PLACE - VIEW OF FRONT FACADE VIA OTIS PLACE



4 OTIS PLACE - VIEW OF REAR FACADE VIA BRIMMER STREET



#8 - White paint removal

#1 - Camera mounted on brick

#2 - Door Buzzer

#9 - Electrical plug w/ cover. Replace with slimmer profile. See spec attached

4 OTIS PLACE - VIEW OF FRONT VESTIBULE VIA OTIS PLACE

#10 - Four new windows in place of existing two windows at rear of penthouse

#3 - Rear copper-coated vents

4 OTIS PLACE - ZOOMED VIEW OF REAR FACADE VIA BRIMMER STREET



#4 - Fire alarm bell


#5 - Sprinkler System Fire Hose Connection

4 OTIS PLACE - VIEW OF FRONT FACADE STREET LEVEL VIA OTIS PLACE

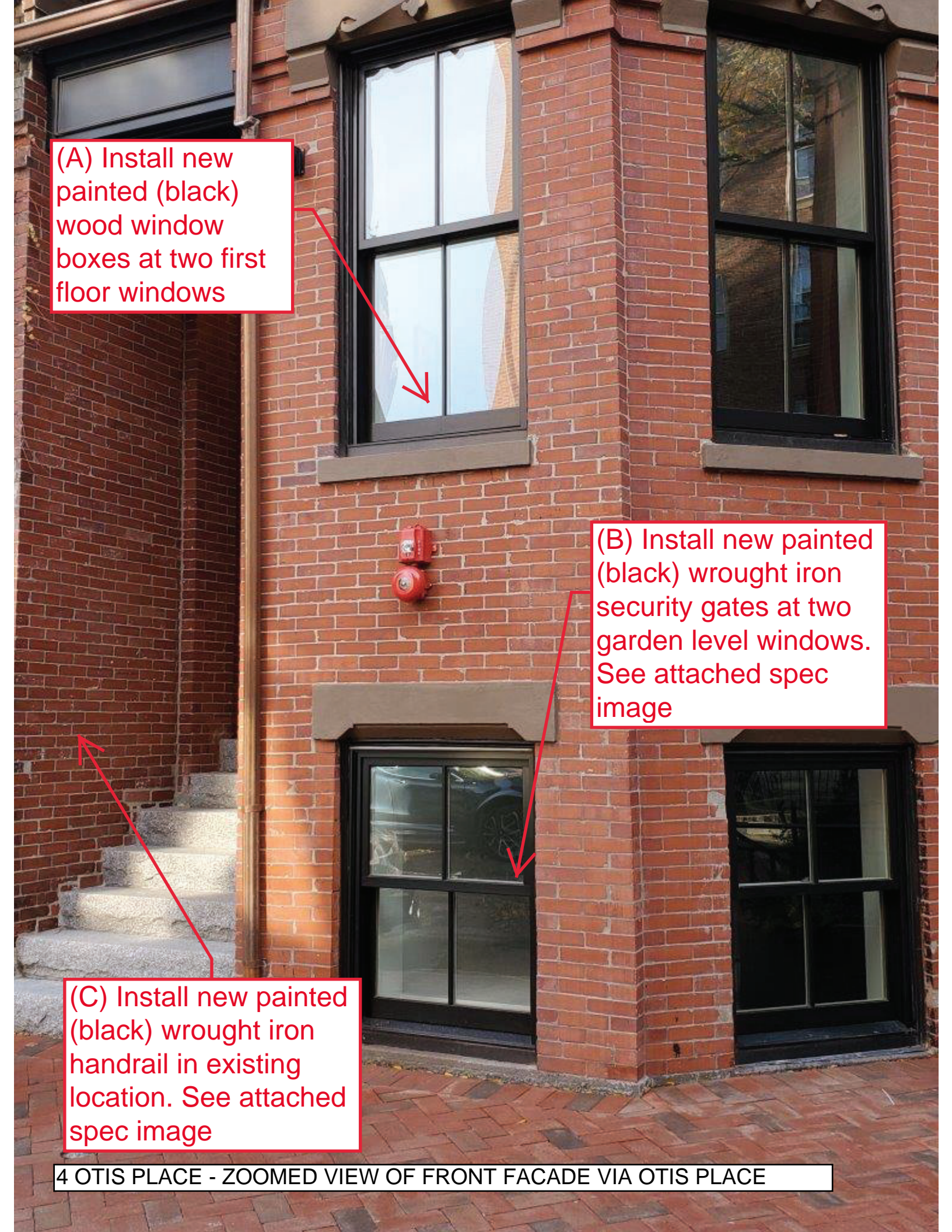


#7 - Entry brick /
handrail patching

4 OTIS PLACE - VIEW OF FRONT VESTIBULE VIA OTIS PLACE



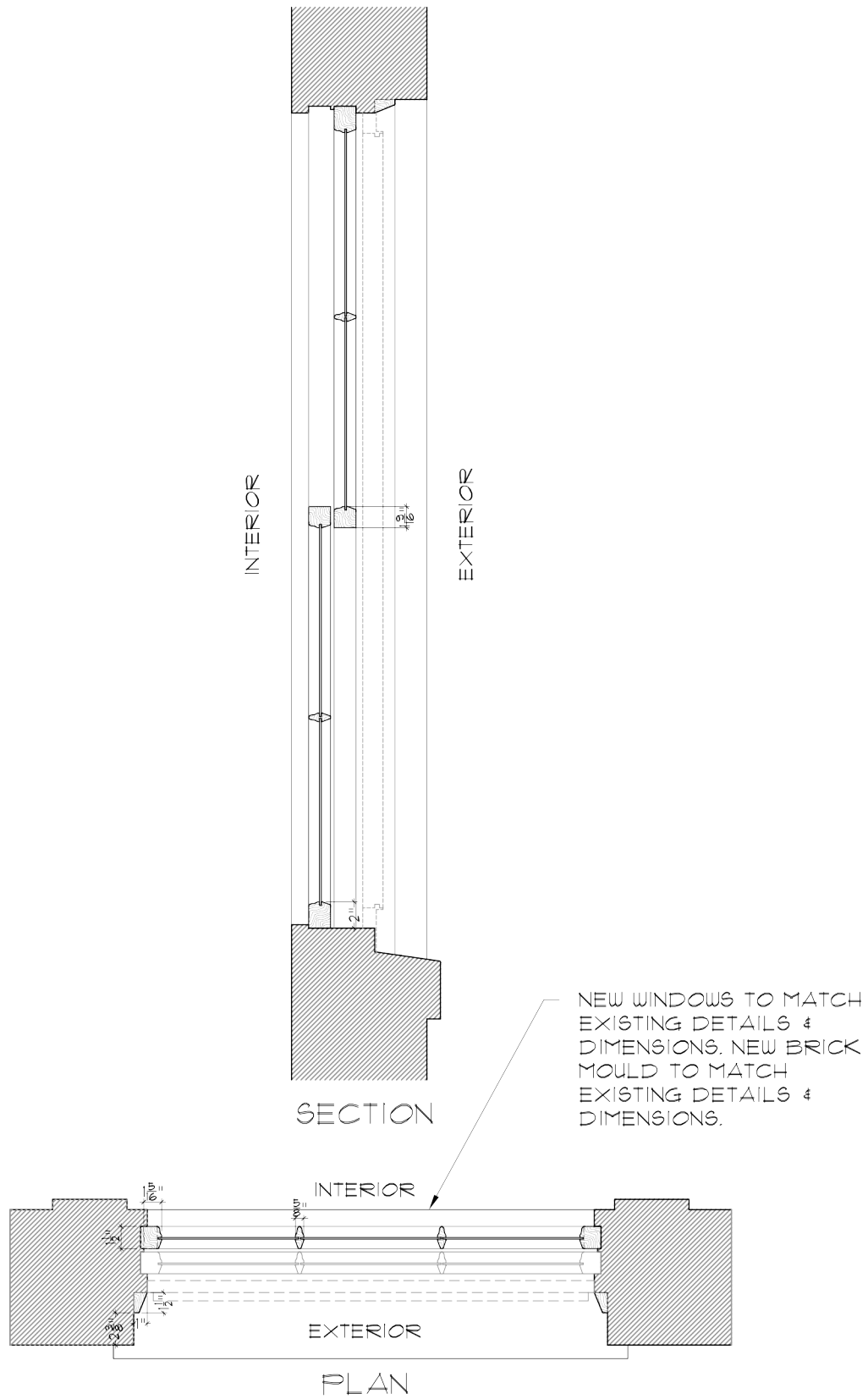
#8 - Typical wood window per specifications attached



(A) Install new painted (black) wood window boxes at two first floor windows

(B) Install new painted (black) wrought iron security gates at two garden level windows. See attached spec image

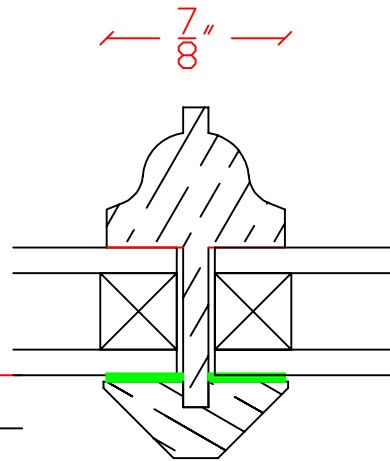
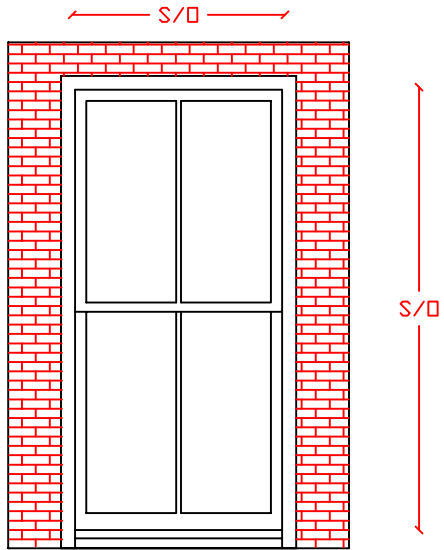
(C) Install new painted (black) wrought iron handrail in existing location. See attached spec image



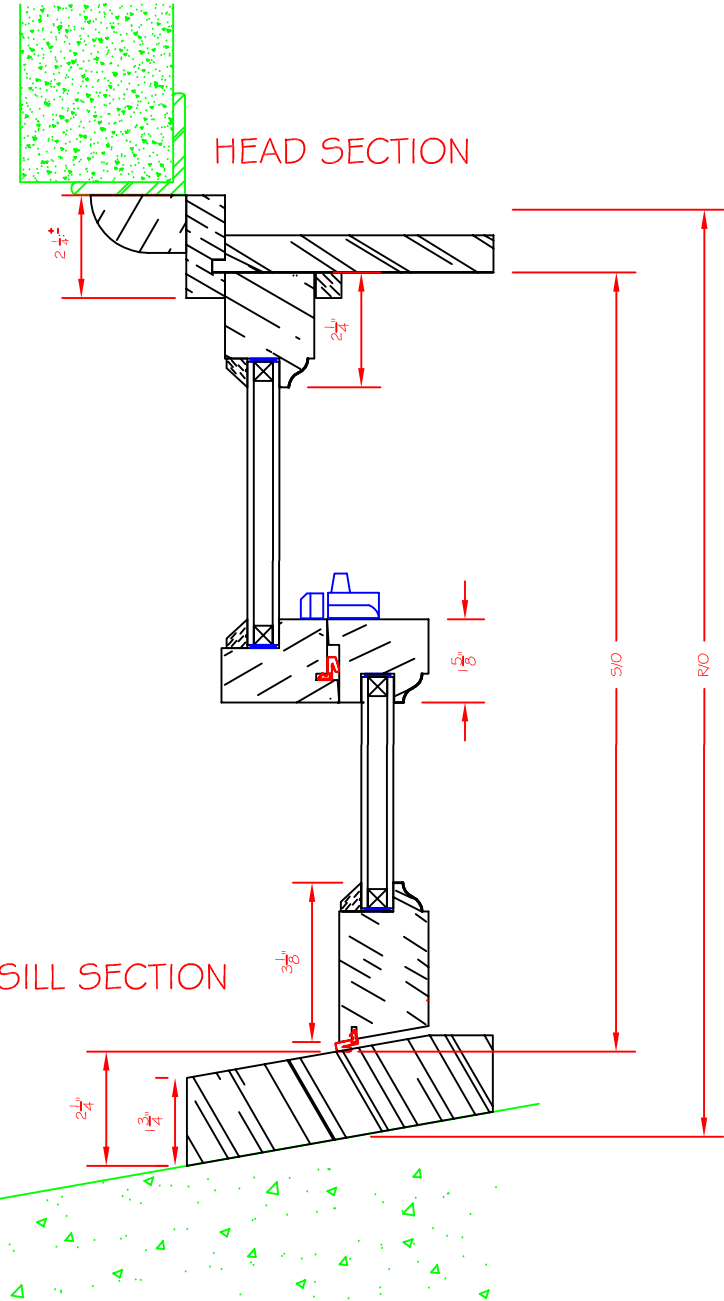
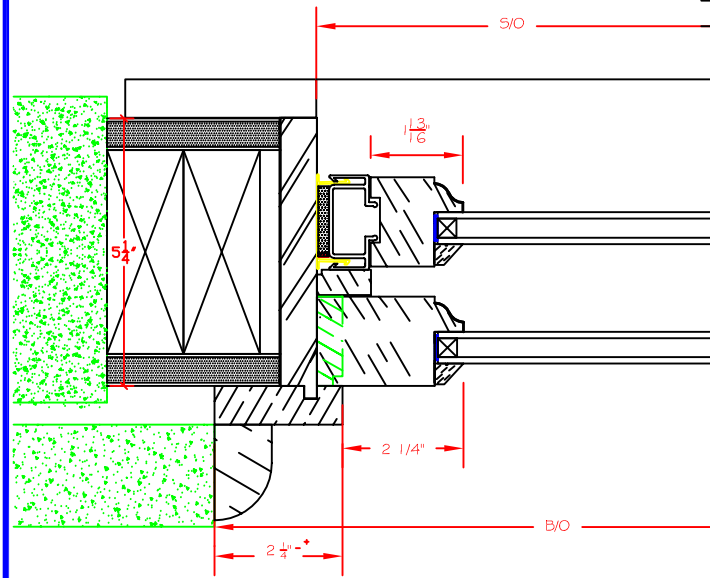
① TYPICAL EXISTING DH WINDOW DETAIL
SCALE: 1" = 1'-0"

WOOD WINDOW DETAIL

JB PROPER BOSTONIAN SH WINDOW UNIT



T.D.L. BAR
FULL SCALE



WOOD WINDOW SPECIFICATION

Taymac #ML450Z Exterior Electrical Outlet Specifications

- **Zoro #:** G4994333
- **Mfr #:** ML450Z

Depth: 3"

Number of Gangs: 1

Height: 6.11"

Features: Low Profile

Receptacle Type: GFCI

Standards: UL and ETL

Cover Material: Polycarbonate

Size: 4.02" W x 6.11" H

Color: Bronze

Item: While In Use Weatherproof Cover

Width: 4.02"

Body Material: Polycarbonate and Synthetic Neoprene Rubber

Mounting Orientation: Multi-directional

Gasket Material: Polyethylene Foam

Includes: Attached Gasket and Mounting Hardware





WROUGHT IRON HANDRAIL SAMPLE IMAGES



OPTION A



OPTION B

WINDOW GRATE SAMPLE IMAGES