

The Museum of Fine Arts, Boston

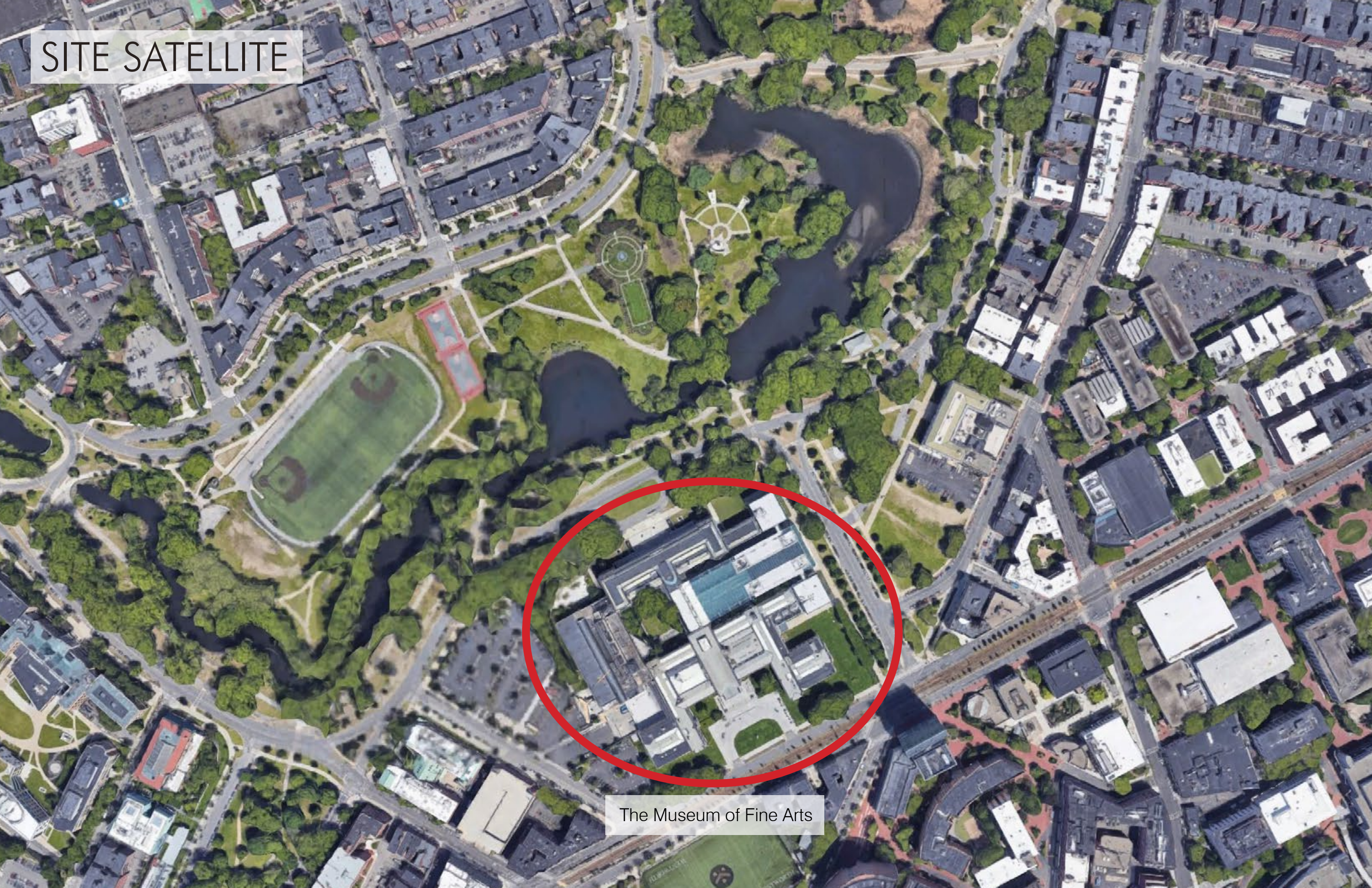
Center for Netherlandish Art

Landmarks Application | November 16, 2020



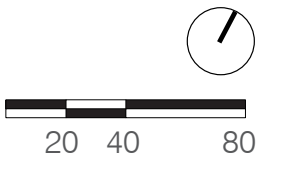
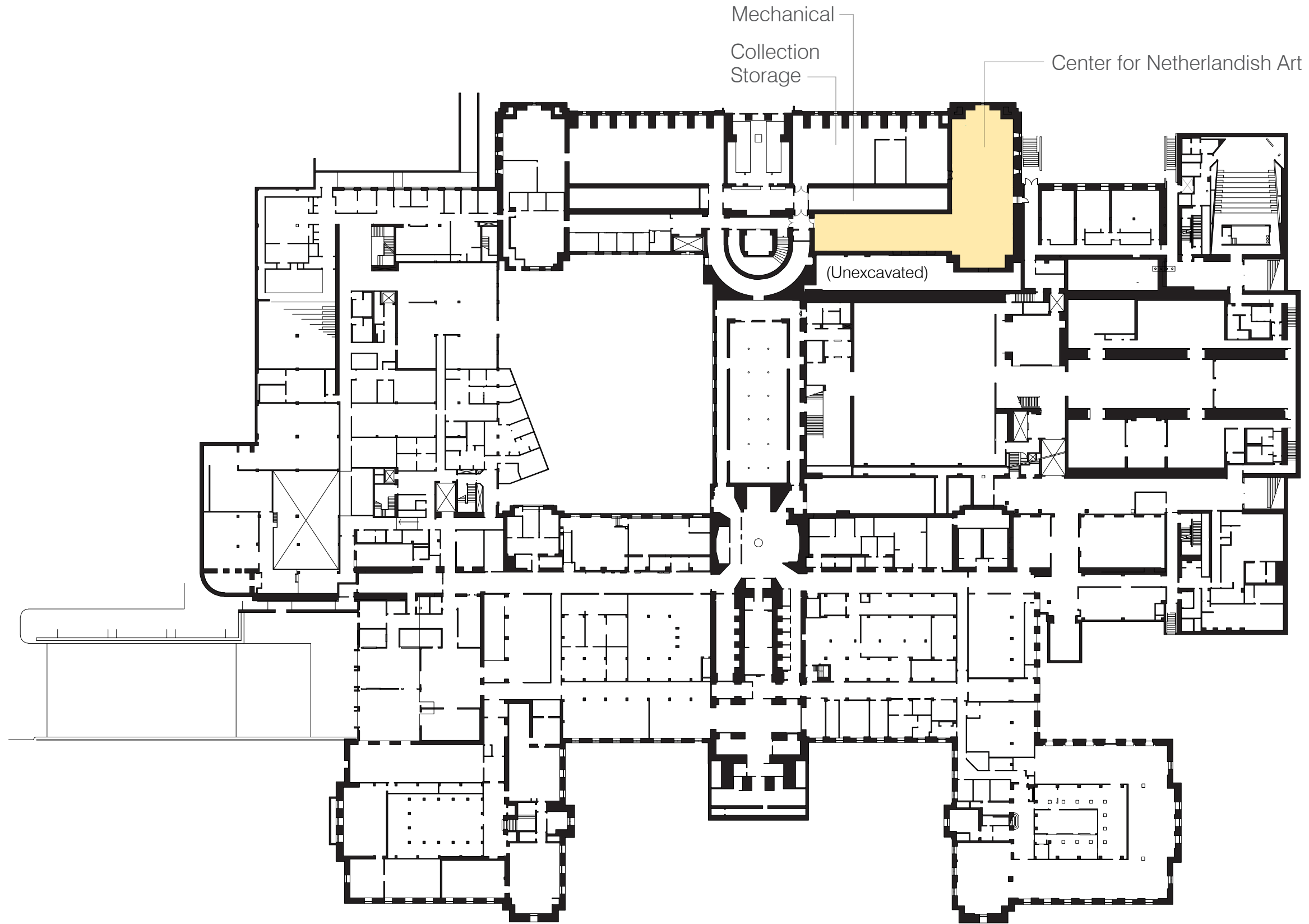
Orpheus Charming the Animals | Aelbert Cuyp

SITE SATELLITE



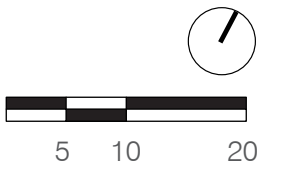
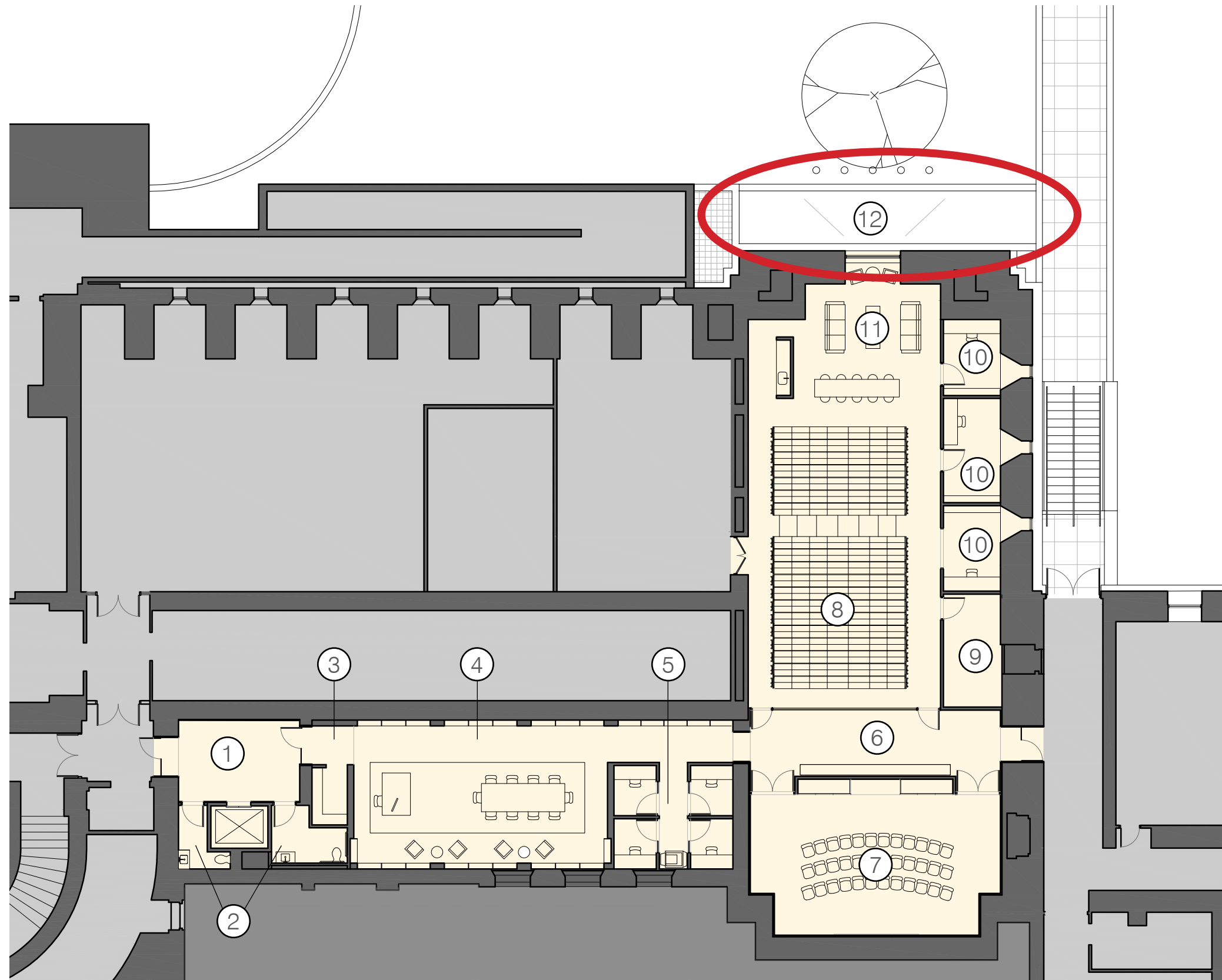
The Museum of Fine Arts

LOCATION PLAN - LEVEL 0



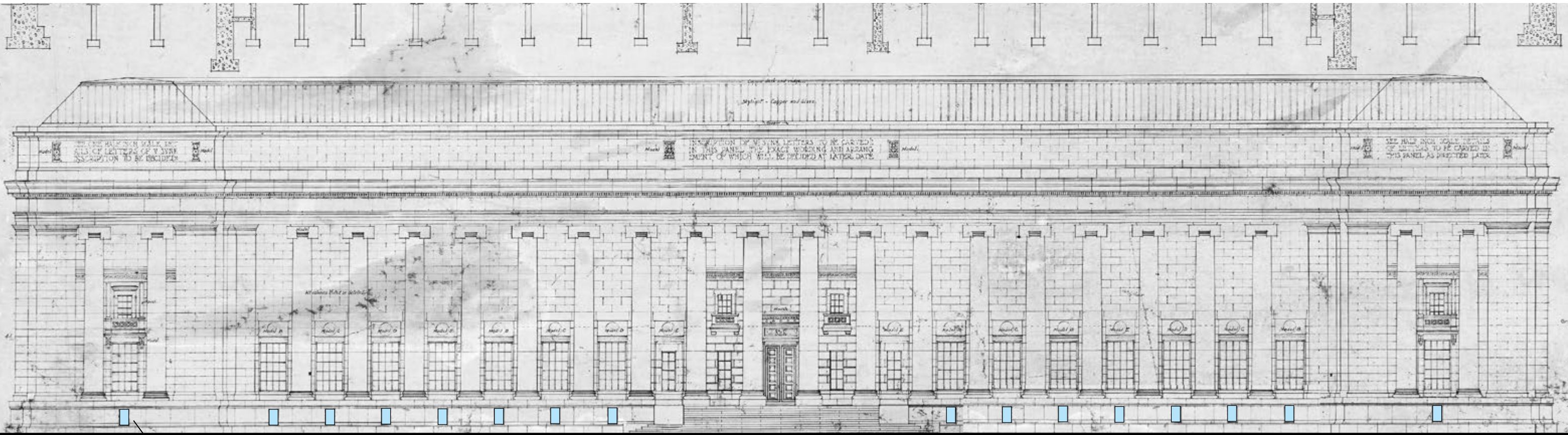
PROPOSED PLAN

1. Lobby
2. Restrooms
3. Cloak Room
4. Reading Room
5. Study Rooms
6. Breakout area
7. Seminar Room
8. Mobile Storage
9. Imaging Room
10. Offices
11. Coffee Area
12. New Sunken Garden



EVANS WING

Historic Elevation



Existing window



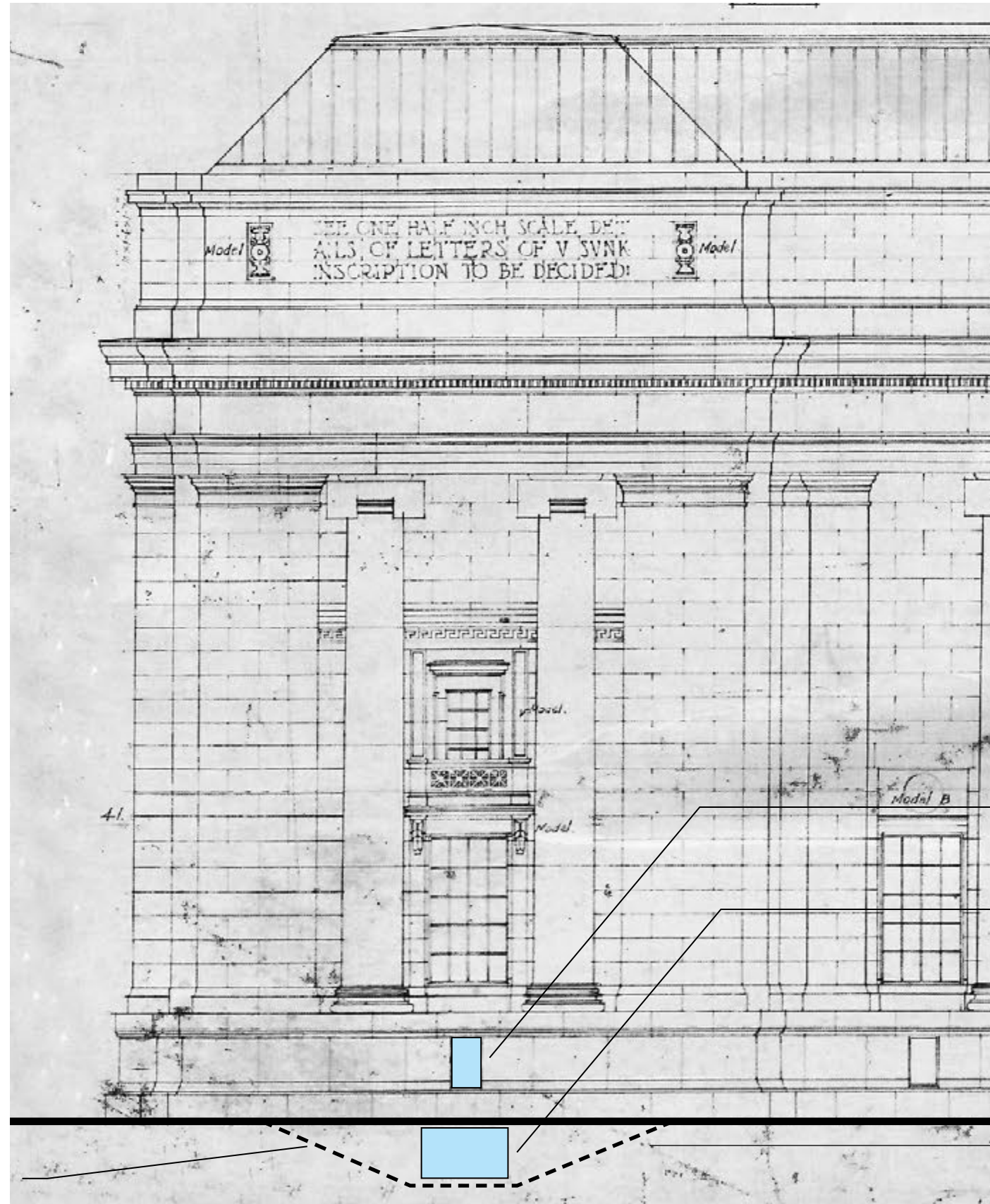
EVANS WING

Current Exterior



EVANS WING

Window Elevations



Existing Window

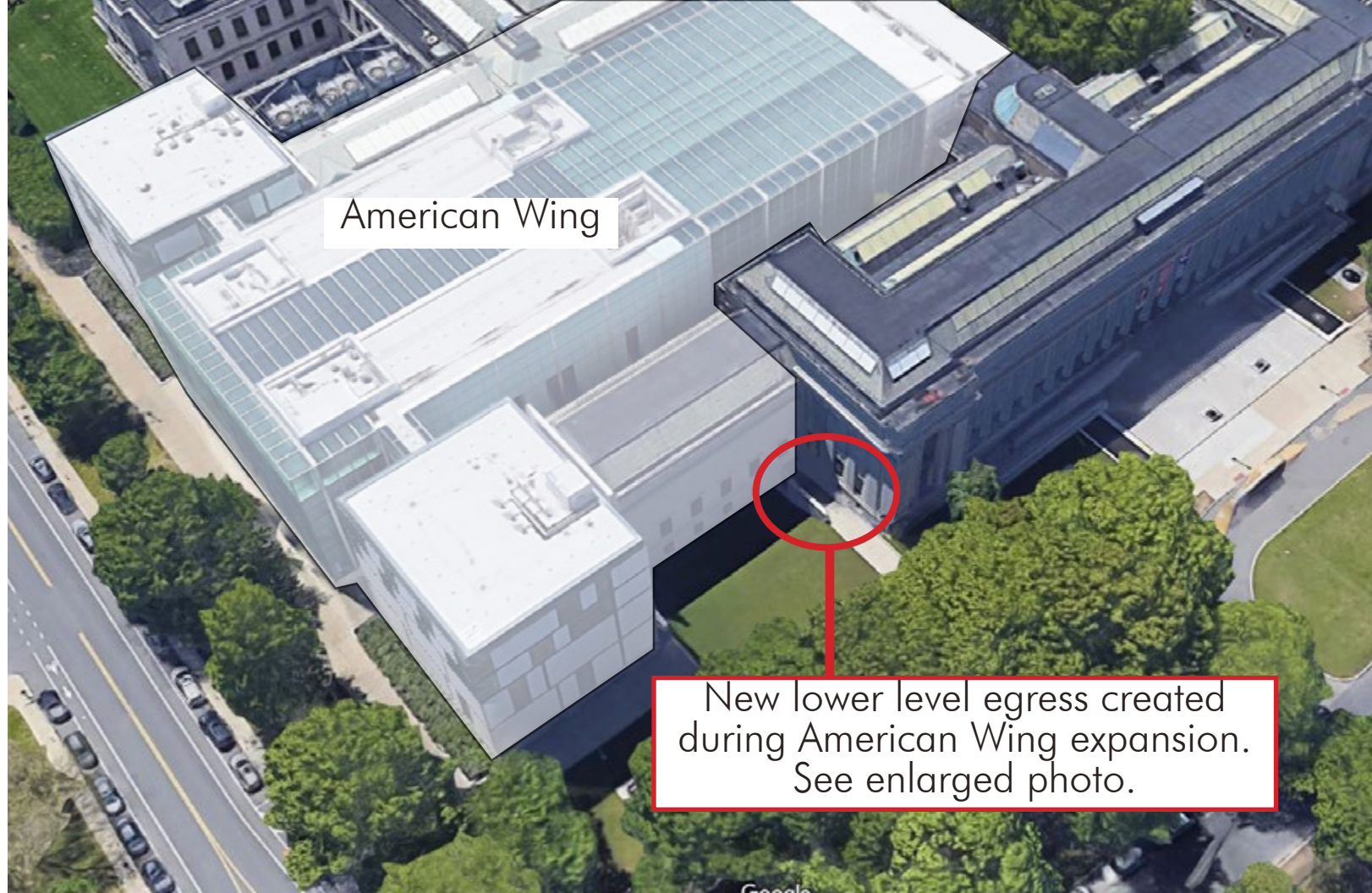
New Window

Proposed grade



EVANS WING

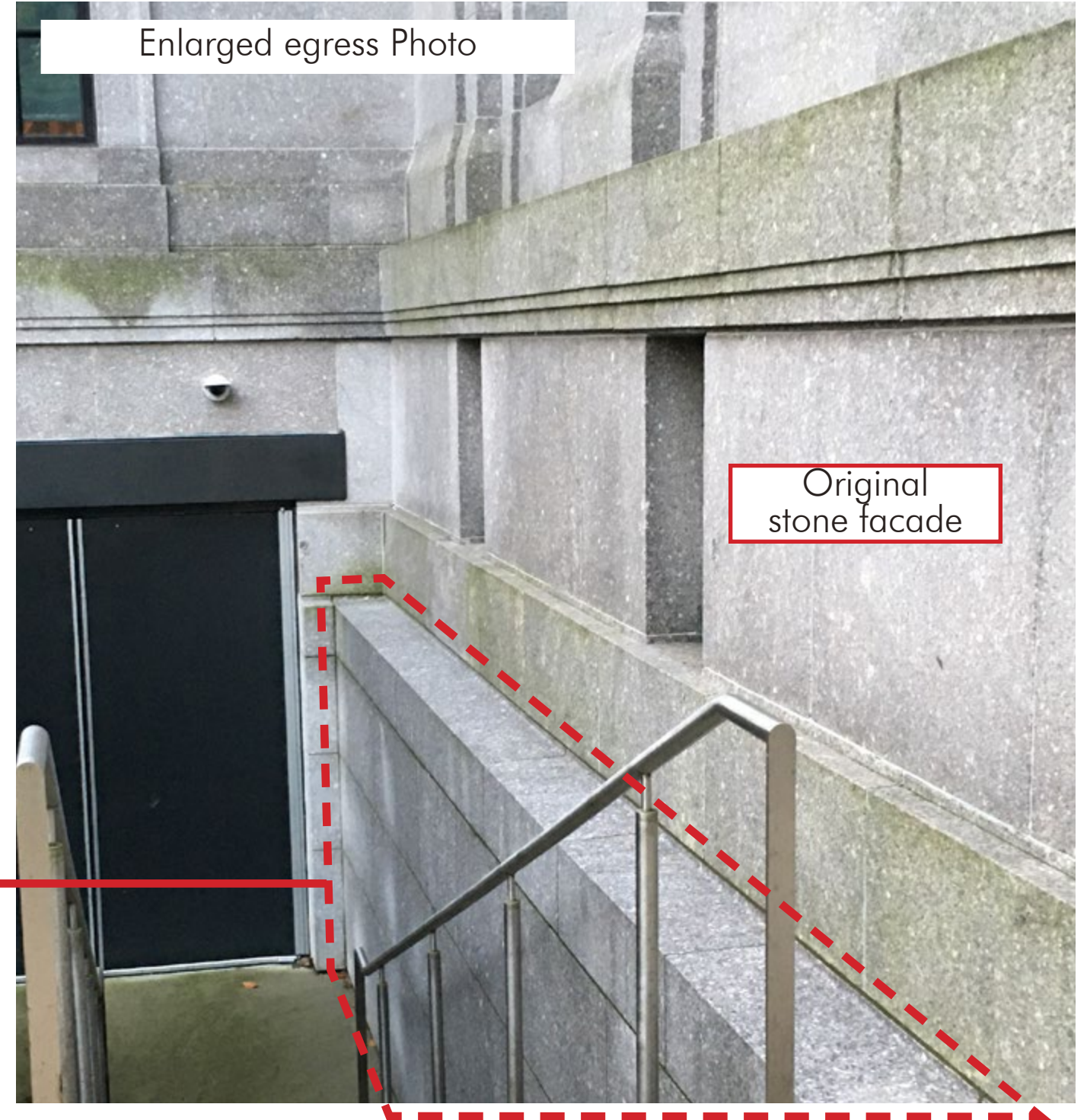
Current Exterior



American Wing

New lower level egress created during American Wing expansion. See enlarged photo.

Recent stone cladding installed during American Wing expansion

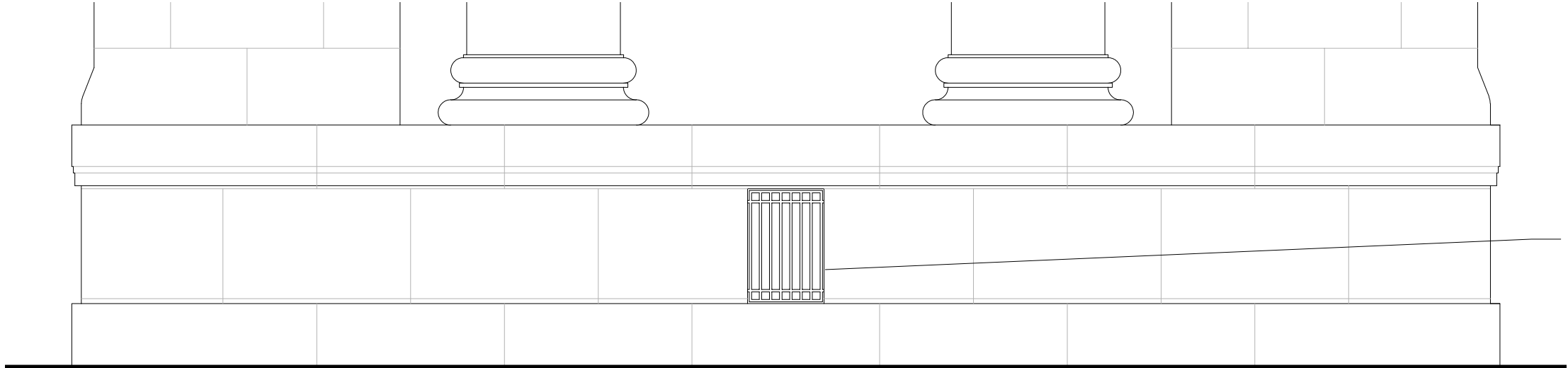


Enlarged egress Photo

Original stone facade

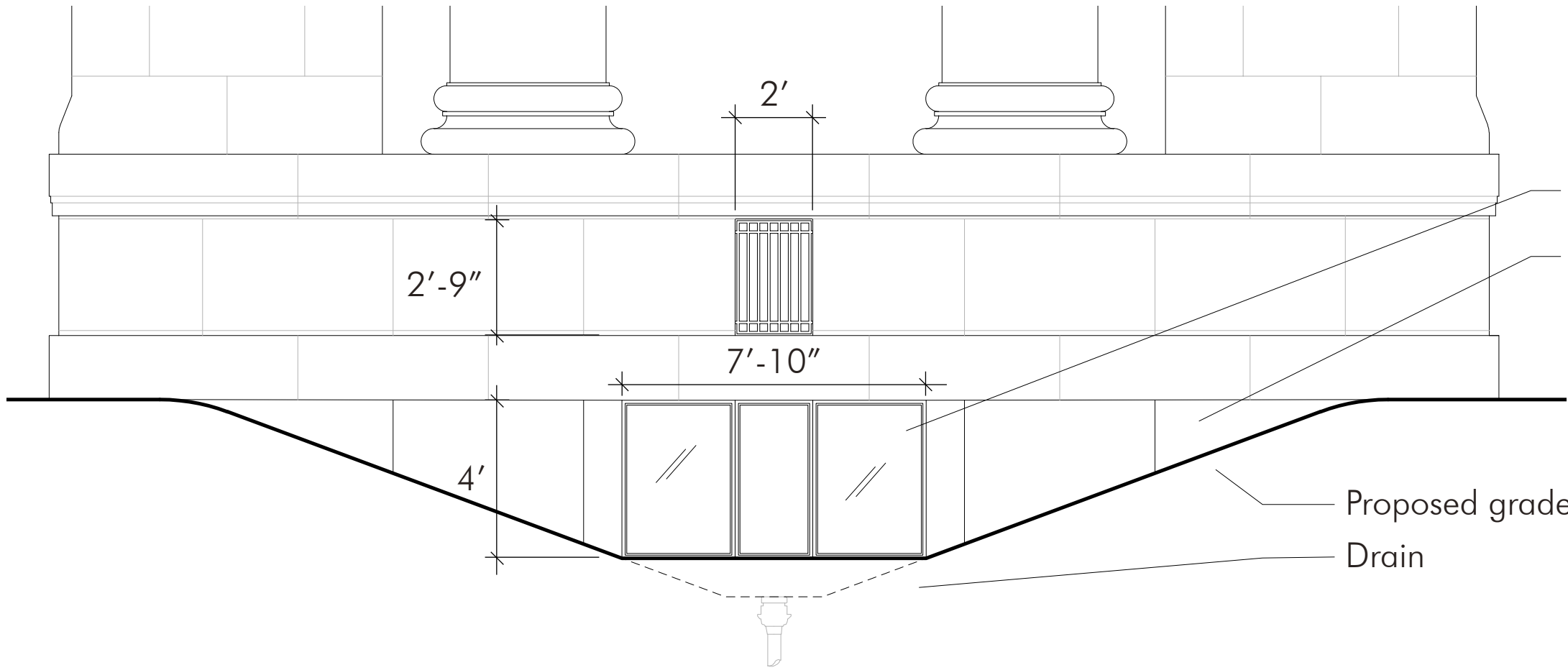
WINDOW ELEVATIONS

Existing Elevation



Existing window to remain

Proposed Elevation



New Window

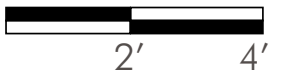
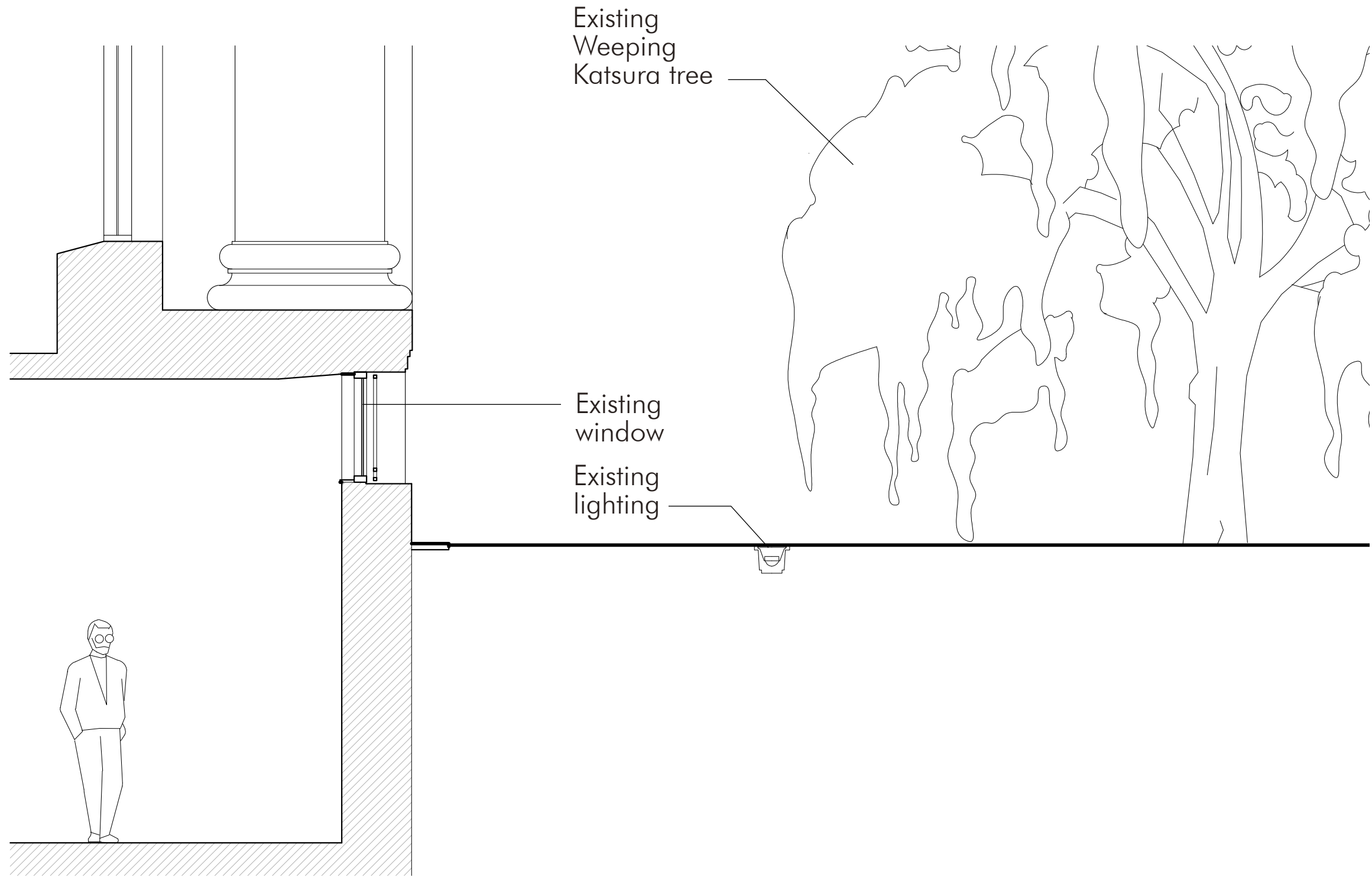
New stone cladding to match existing

Proposed grade Drain



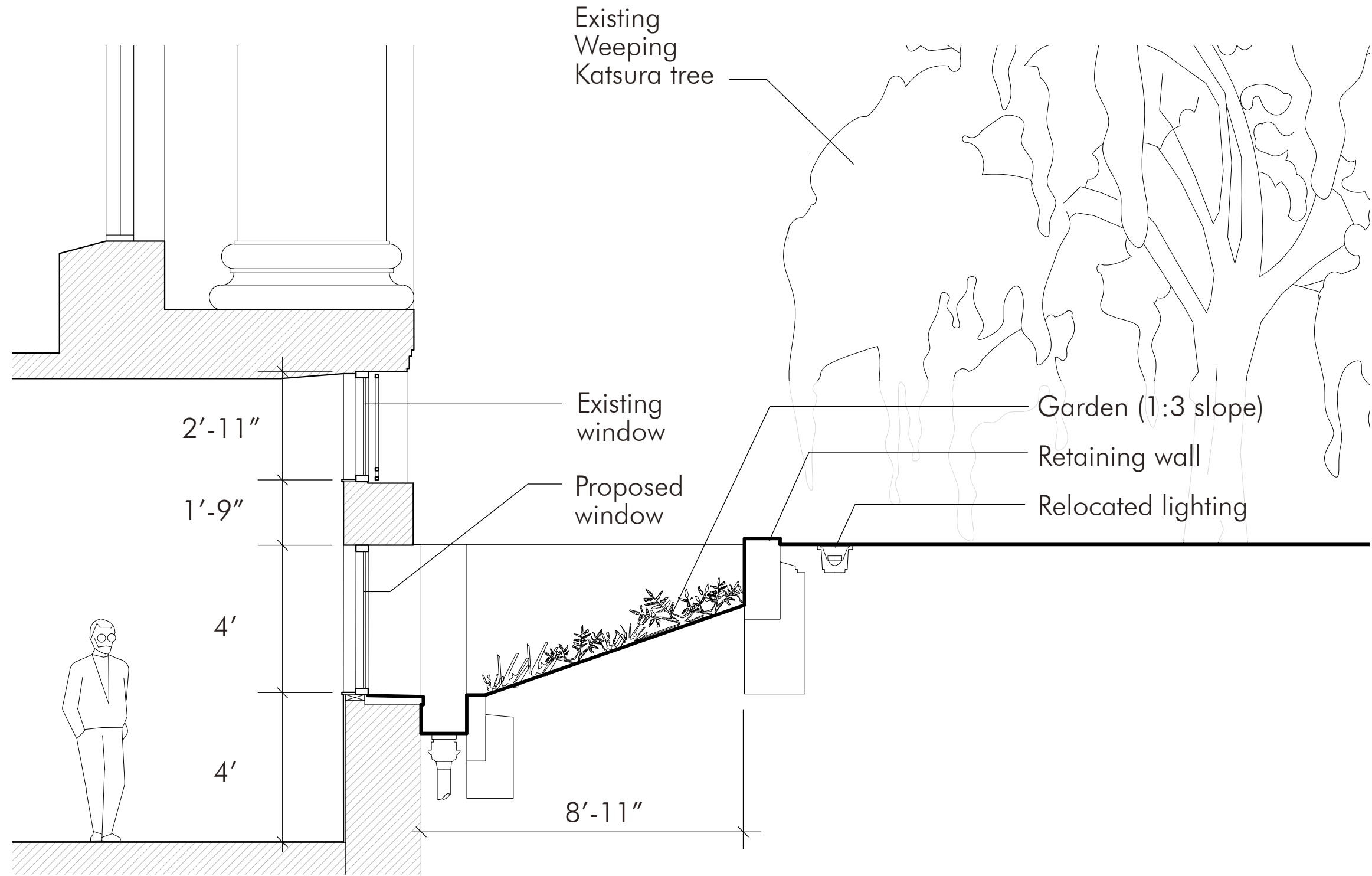
SECTION

Existing Conditions



SECTION

Proposed Window & Garden



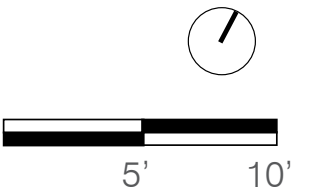
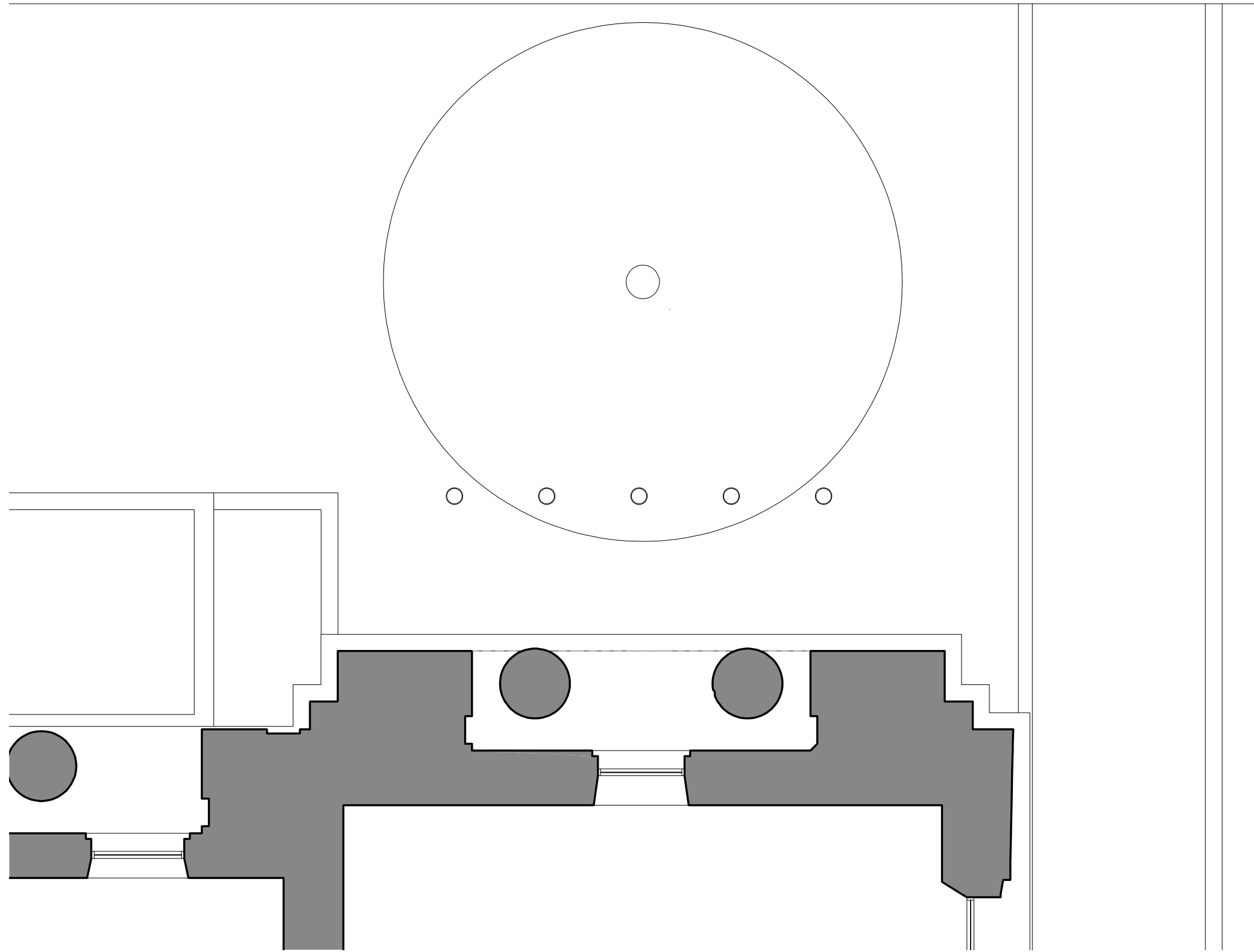
EXTERIOR PHOTOS

Evans Wing



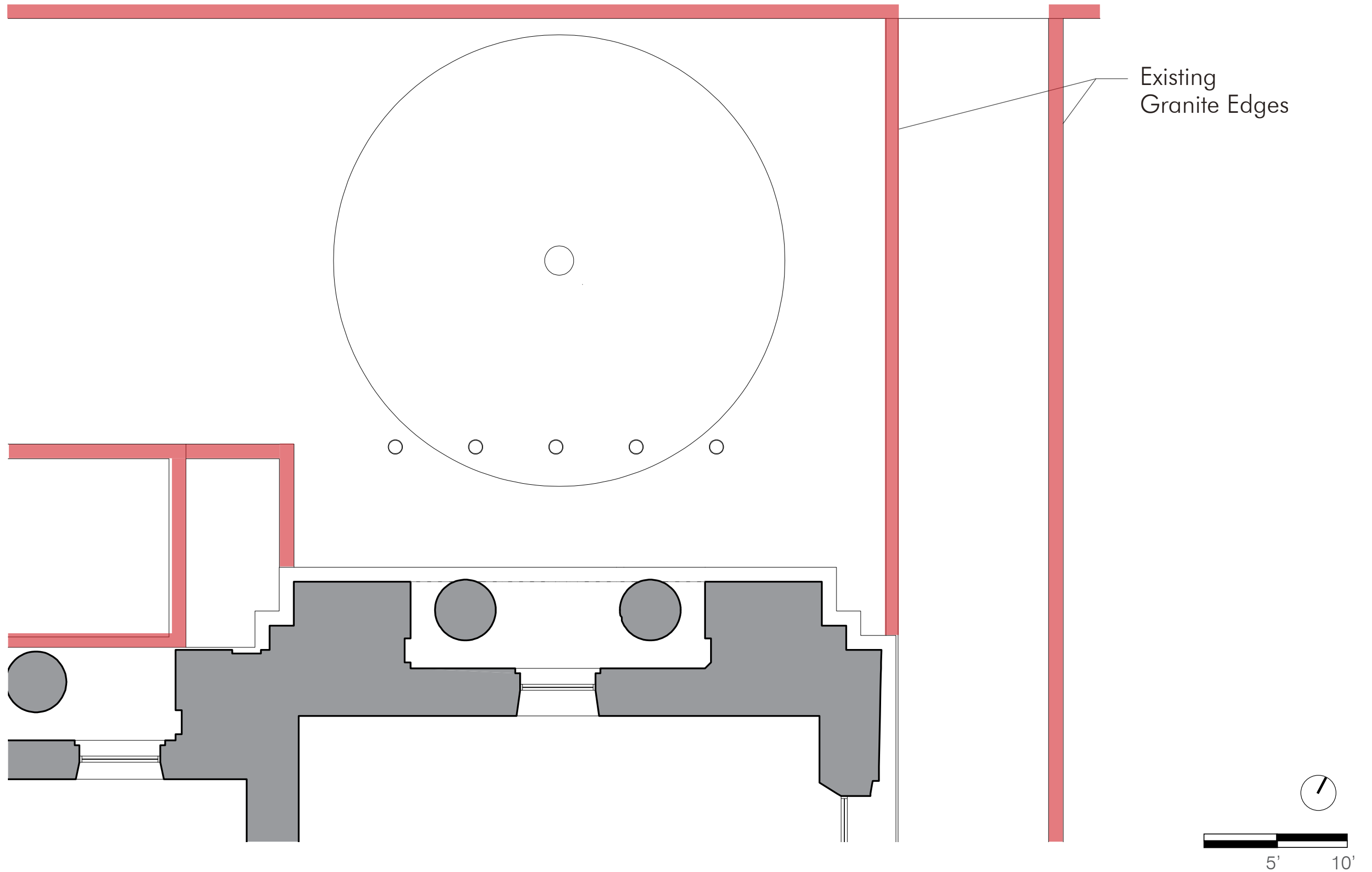
LANDSCAPE PLAN

Existing



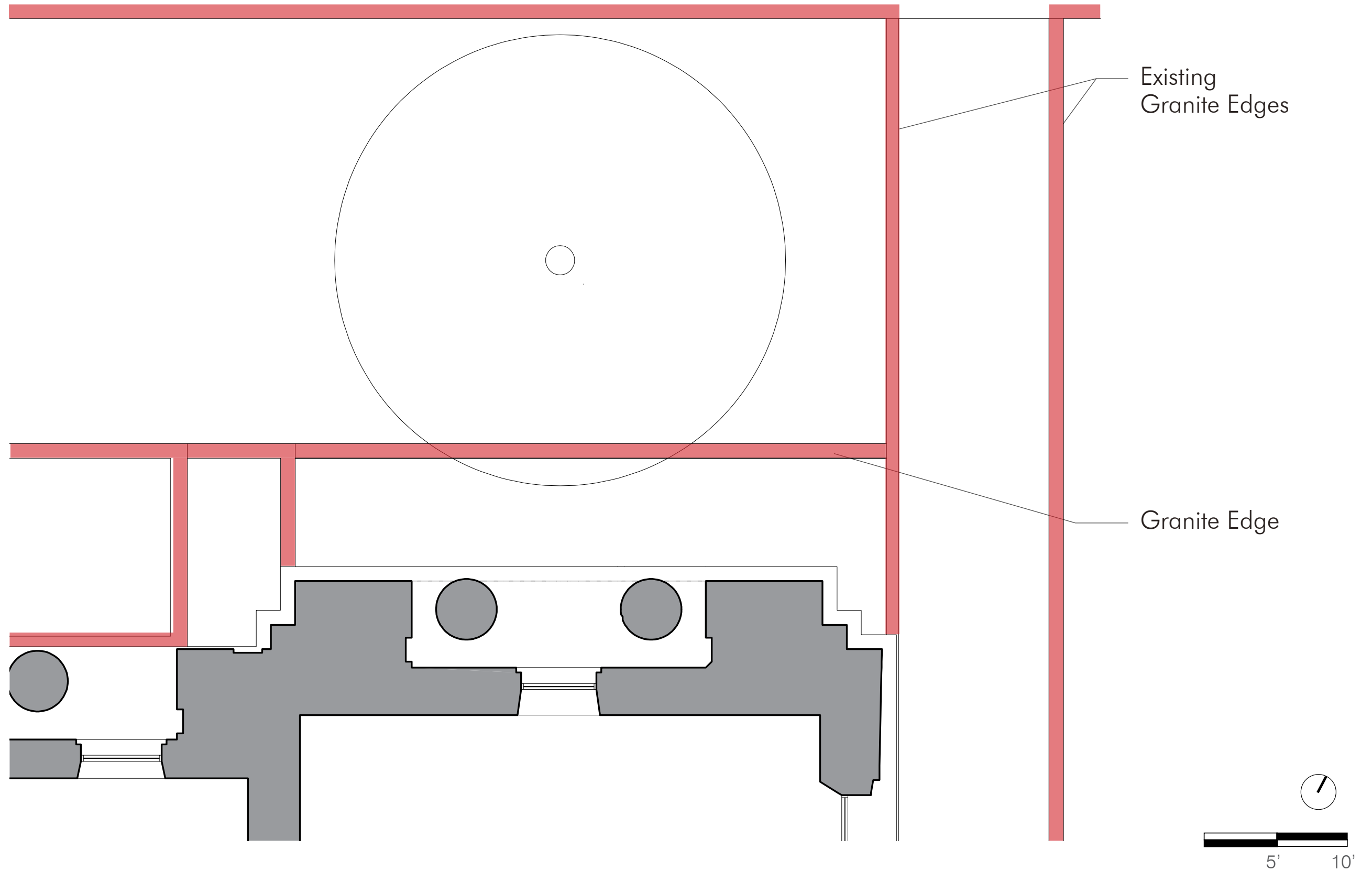
LANDSCAPE PLAN

Existing



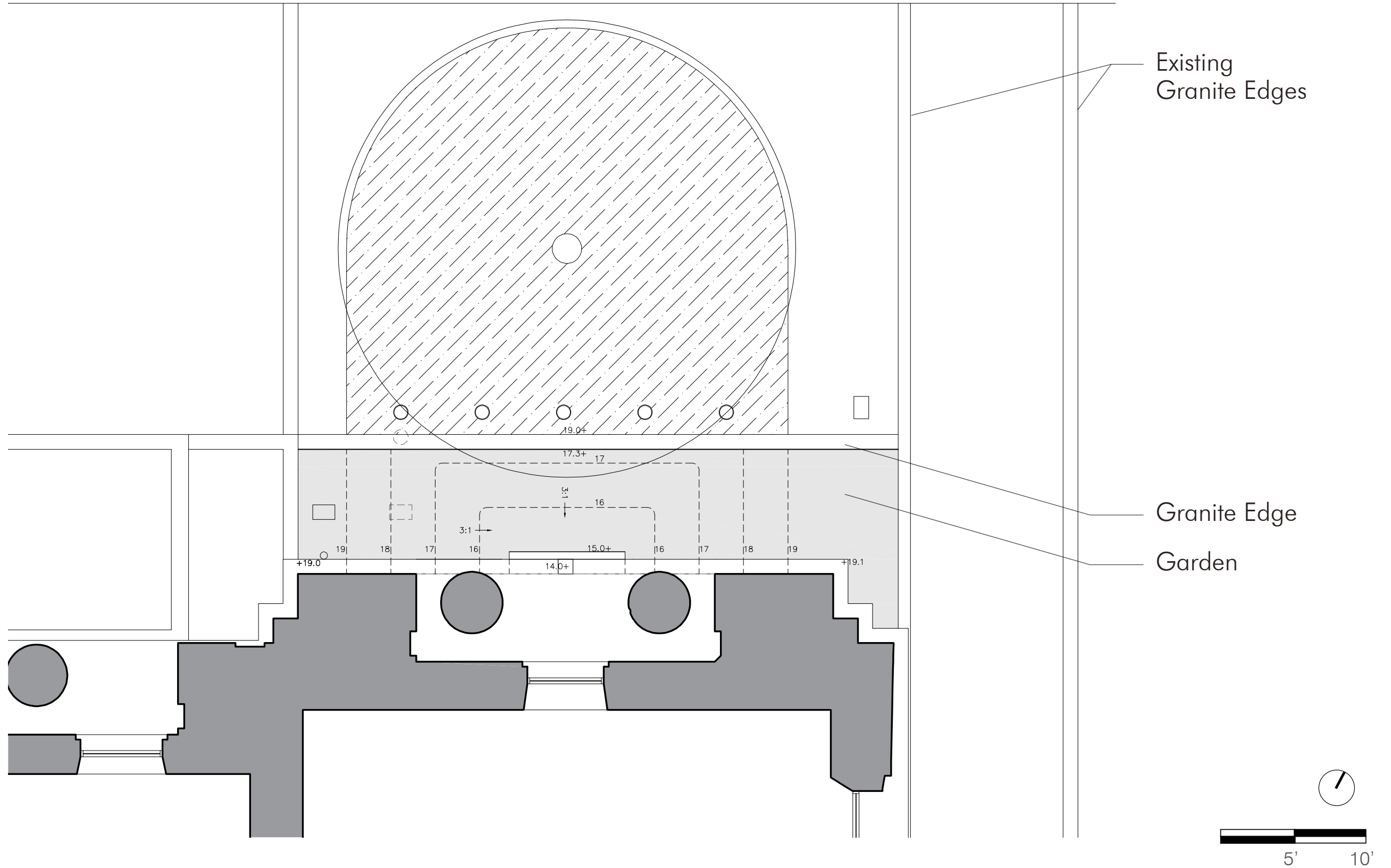
LANDSCAPE PLAN

Proposed

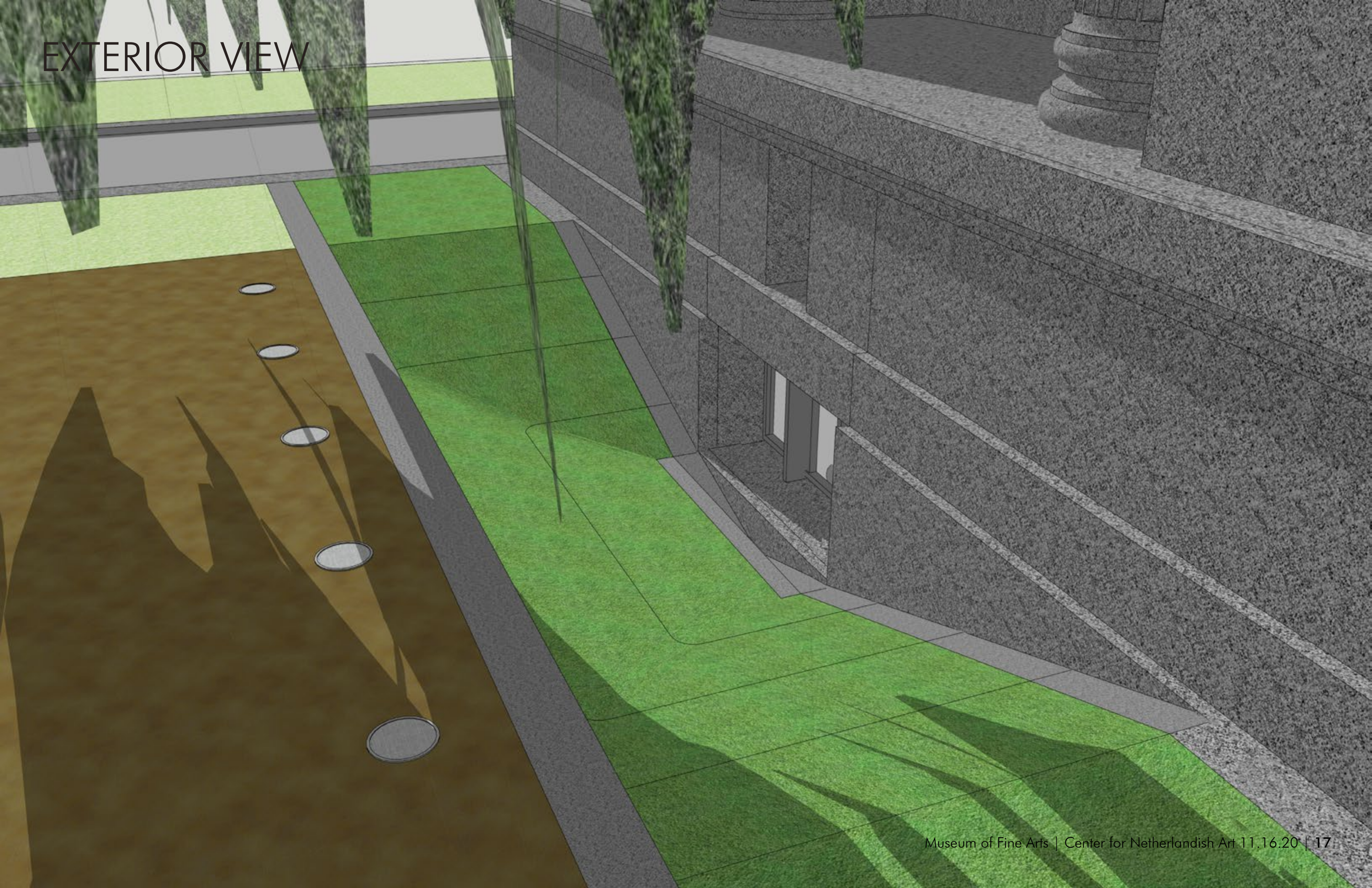


LANDSCAPE PLAN

Proposed



EXTERIOR VIEW



EXTERIOR VIEW



EXTERIOR VIEW



PLANTINGS

Tiareella



PLANTINGS

Christmas Fern



INTERIOR VIEW

Existing Window



Proposed Window



EVANS WING

Current Exterior



EVANS WING

Current Exterior



EXISTING CONDITIONS

Floorplan

1. Project area
2. Lobby
3. Restrooms
4. Formerly American Art Curatorial Offices
5. Mechanical Space
6. Existing compact storage
7. Collections Storage
8. Front garden

