



## **FRENCH CULTURAL CENTER**

53 MARLBOROUGH / 300 BERKELEY STREET  
*BBAC SUBMISSION FOR EXHAUST + INTAKE AT COURTYARD*  
3.24.2021

STERN McCAFFERTY

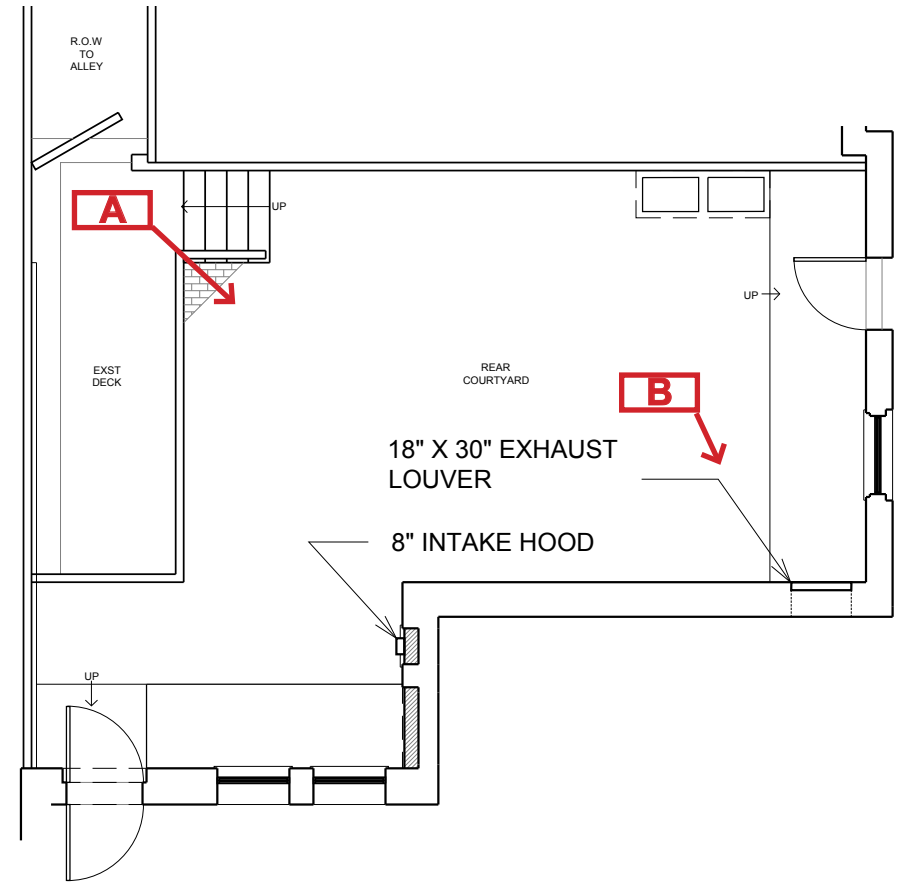


**REAR COURTYARD**

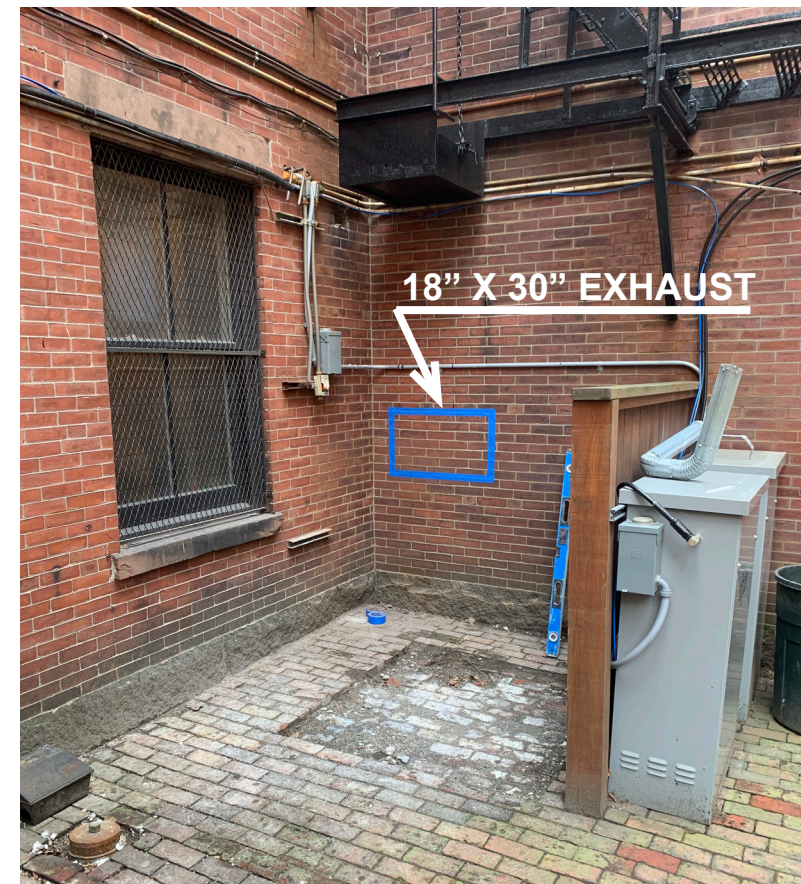
18" x 30" Exhaust louver + 8" intake hood to be located on the ground floor of the rear courtyard. There will be no noise or smells associated with this work, and it is not visible from any public way or alley.



EXISTING VIEW FROM PUBLIC ALLEY 420



VIEW A

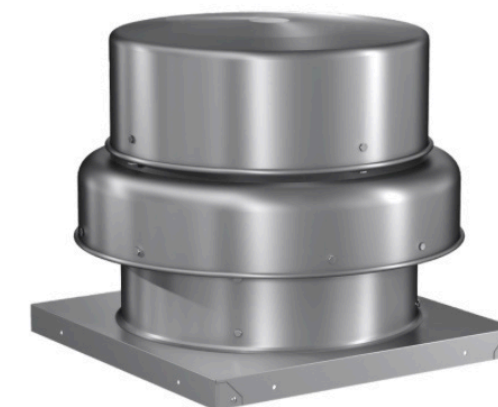


VIEW B



**ALTERNATE EXHAUST OPTIONS**

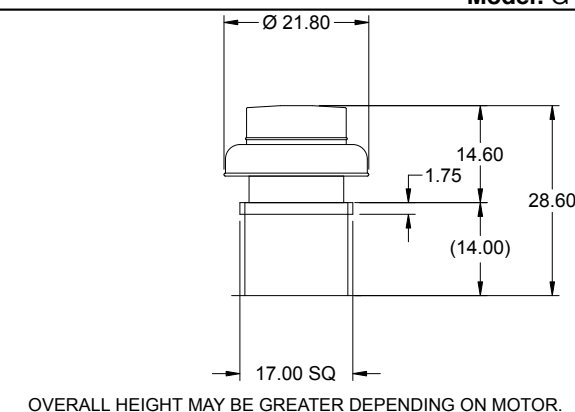
These alternative locations for the exhaust would avoid a masonry penetration, but would be visible from public ways (both Marlborough St + the alley). Due to the required fire rating for an exhaust riser, we would be required by code to use a visible rooftop fan unit as shown below.



Printed Date: 03/23/2021  
 Job: 47056 - French Cultural Center  
 Mark: REF-1 roof alternate  
 Model: G-095-VG

Model: G-095-VG  
 Direct Drive Centrifugal Roof Exhaust Fan

Dimensional	
Quantity	1
Weight w/o Acc's (lb)	27
Weight w/ Acc's (lb)	56
Optional Damper (in.)	10 x 10
Roof Opening (in.)	12.5 x 12.5



OVERALL HEIGHT MAY BE GREATER DEPENDING ON MOTOR.

**FRENCH CULTURAL CENTER**  
 53 MARLBOROUGH / 300 BERKELEY STREET

**ALTERNATE EXHAUST OPTIONS**

SCALE: N/A  
 DATE: 3.24.2021