



Berkeley Garden, Dwight Alley Fence Construction South End, Boston

Scope of Work:

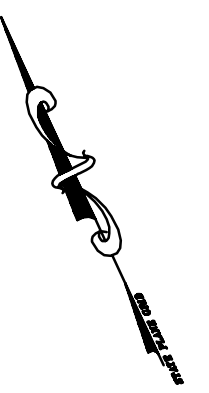
1. Remove and dispose of existing fence material
2. Excavate fence area to a depth of 3'
3. Install cast in place concrete footing
4. Install welded wire mesh fence and gates
5. Install chain-link fence and gates

Existing Fence from Dwight Alley [1]



Existing Fence from Dwight Alley [2]





BOSTON NATURAL
AREAS NETWORK
GARDENS
N/F
BOSTON REDEVELOPMENT AUTHORITY
BK 50258 PG 261

**REMOVE EXISTING FENCE, GATES
AND FOUNDATIONS**

STA 0+35 - 0+94 LT
STA 1+25 - 6+05 LT
STA 6+35 - 7+51 LT

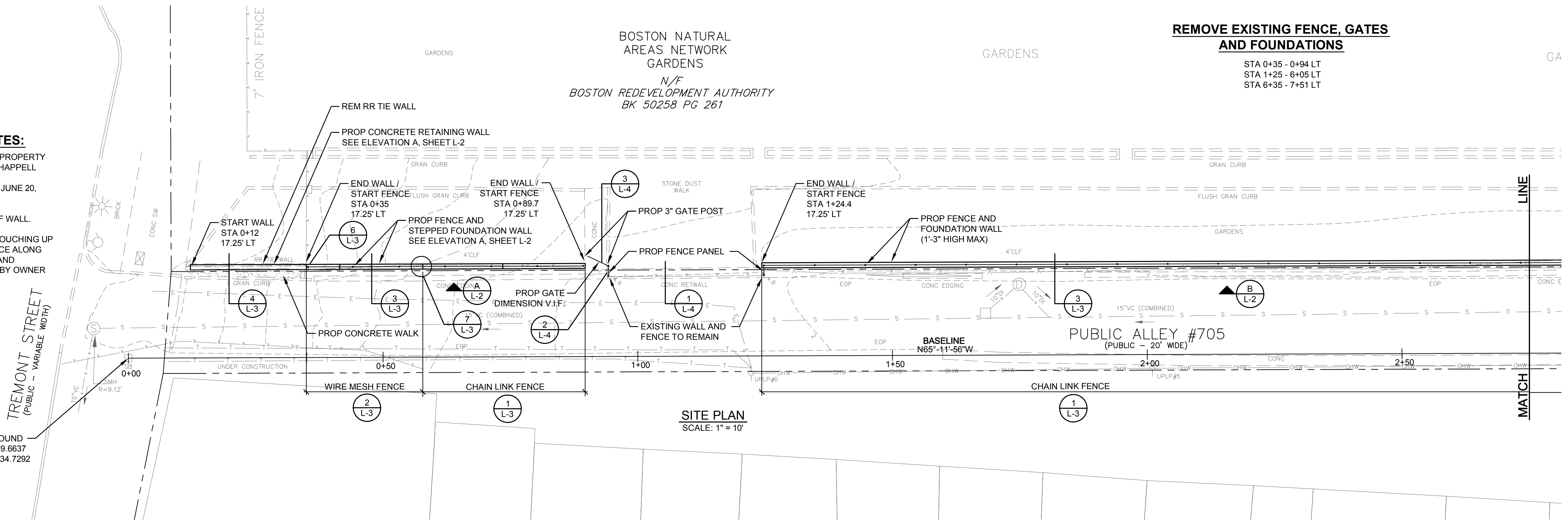
GA

SURVEY & PLAN NOTES:

- EXISTING CONDITIONS AND PROPERTY SURVEY PERFORMED BY CHAPPELL ENGINEERING ASSOCIATES, MARLBOROUGH, MA DATED JUNE 20, 2013.
- OFFSETS GIVEN TO FACE OF WALL.
- PROJECT ALSO INCLUDES TOUCHING UP PAINT ON EXISTING MESH FENCE ALONG BERKELEY ST., TREMONT ST., AND SHAWMUT AVE., AS DIRECTED BY OWNER

TREMONT STREET
(PUBLIC - VARIABLE WIDTH)

STONE BOUND
N = 772439.6637
E = 2951034.7292



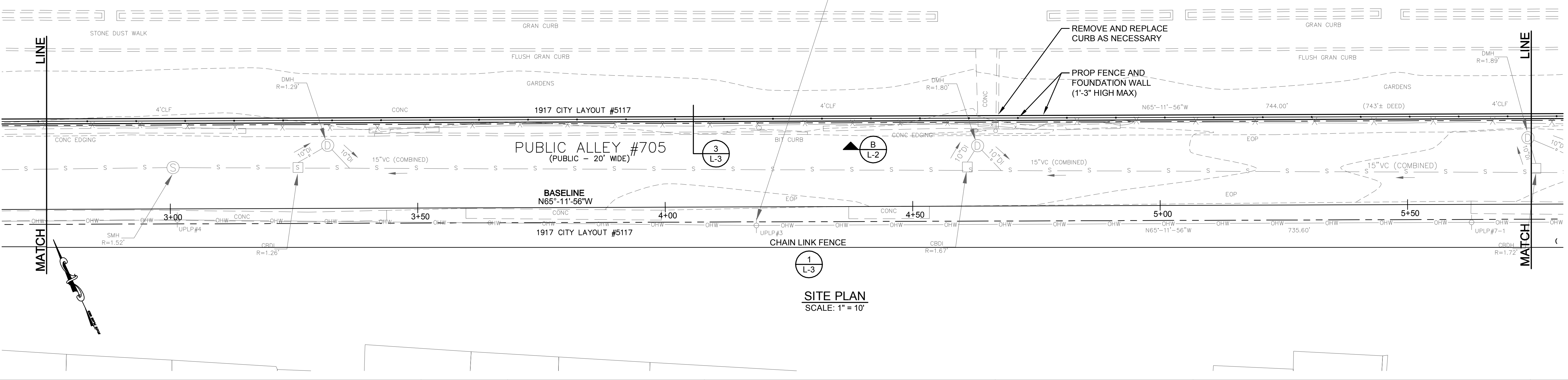
SITE PLAN
SCALE: 1" = 10'

BOSTON NATURAL
AREAS NETWORK
GARDENS
N/F
BOSTON REDEVELOPMENT AUTHORITY
BK 50258 PG 261

TBM-UTILITY POLE #3
"SPIKE IN POLE"
ELEV.=3.28' (NAVD 1988)

REMOVE AND REPLACE
CURB AS NECESSARY

PROP FENCE AND
FOUNDATION WALL
(1'-3" HIGH MAX)



SITE PLAN
SCALE: 1" = 10'

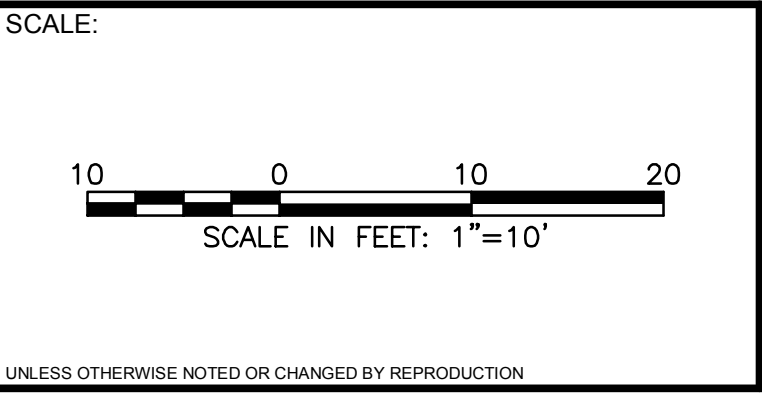
C:\4500s\4558 - Boston - Berkeley Community Garden\Drawing_Files\Plan_Set\4558_Site_Plan_BCC.dwg

NUMBER	DATE	MADE BY	CHECKED BY	DESCRIPTION

DRAWN BY:	STR
DESIGNED BY:	STR
CHECKED BY:	KC

BETA Group, Inc.
Engineers • Planners • Landscape Architects • Scientists

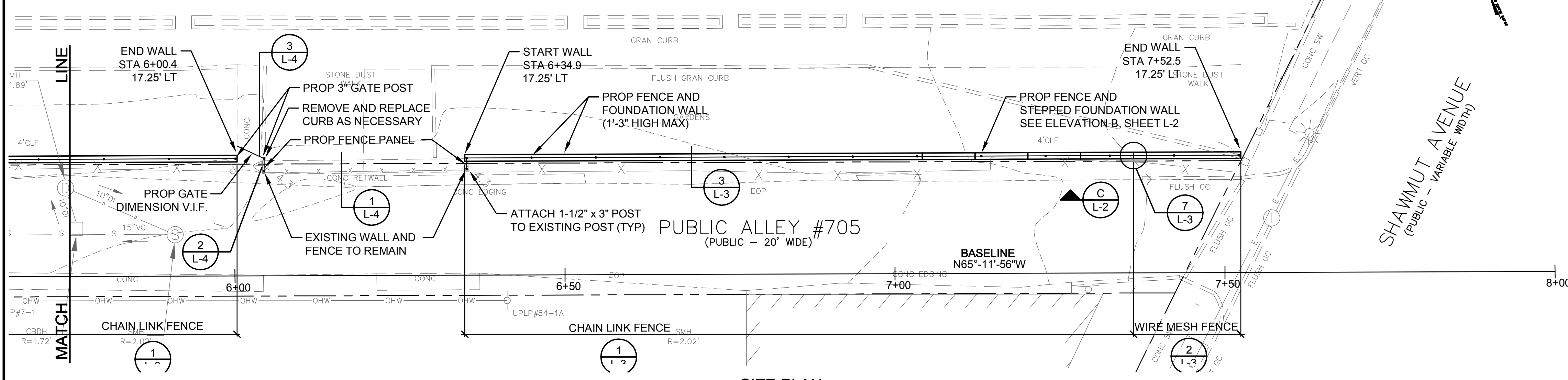
315 Norwood Park South
Norwood, MA 02062
781.255.1982
email: BETA@BETA-inc.com



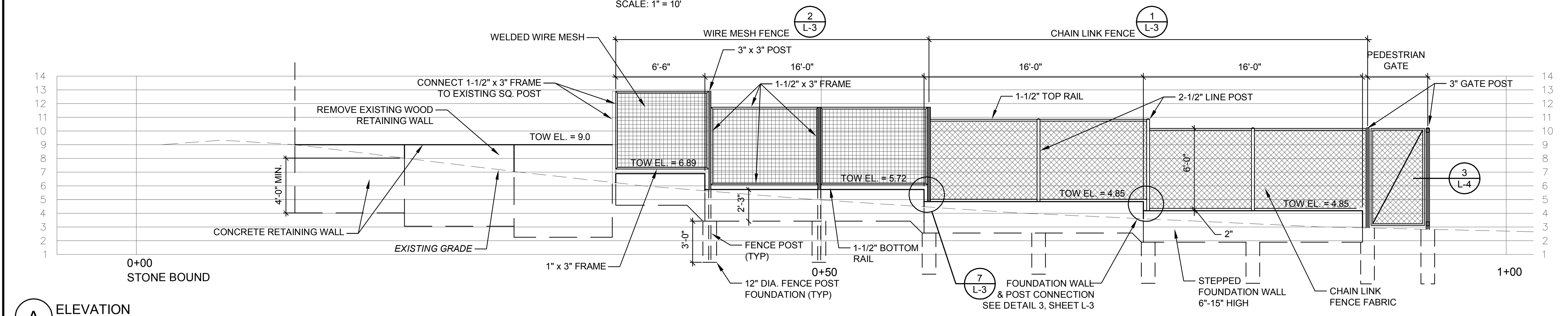
**BOSTON NATURAL AREAS NETWORK
BERKELEY COMMUNITY GARDEN
FENCE LAYOUT PLAN**

JOB	4558
PLOT DATE:	Jul. 18, 2014 8:55am
ISSUE DATE:	07/17/2014
SHEET	L-1

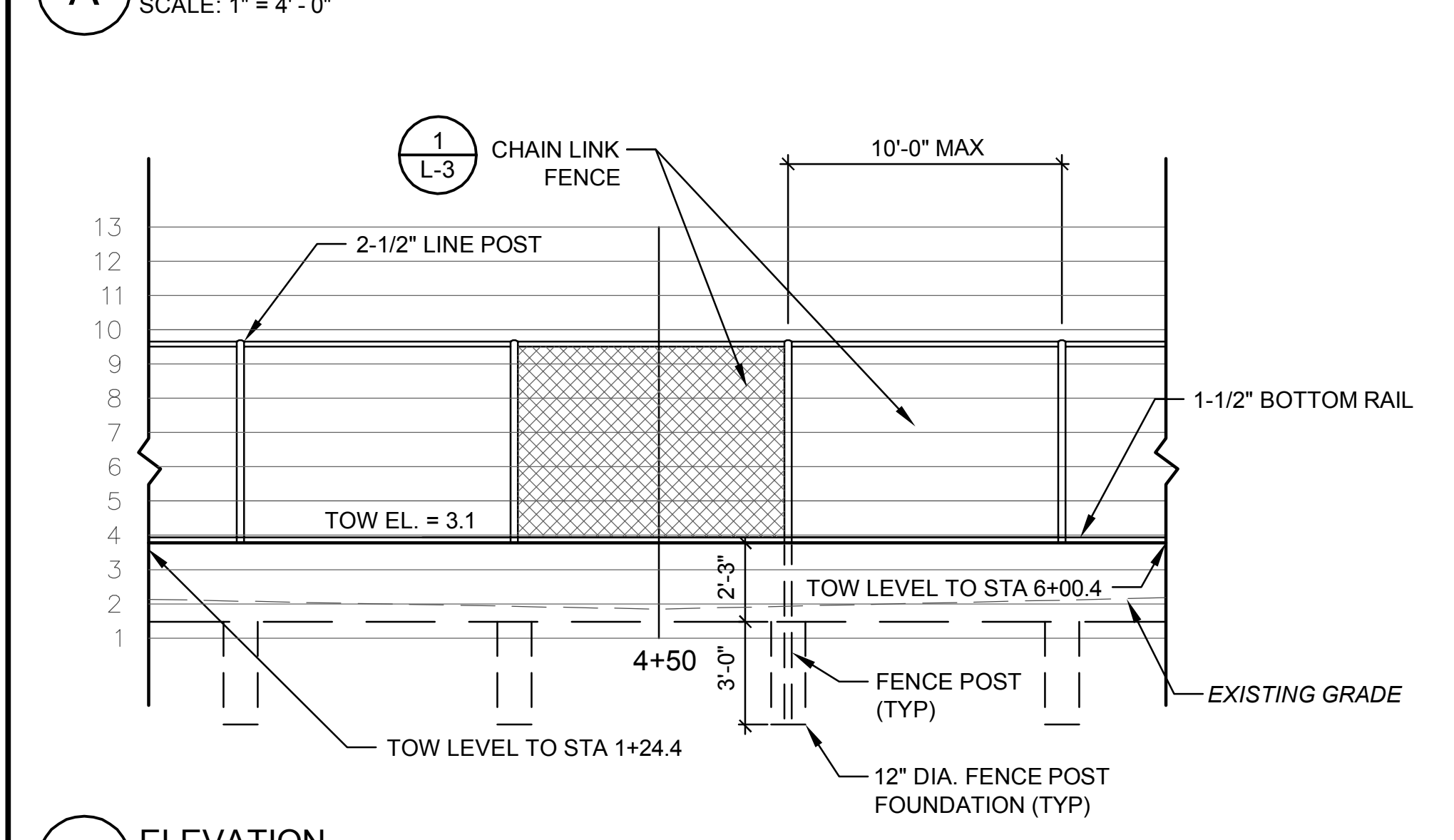
BOSTON NATURAL
AREAS NETWORK
GARDENS
N/F
BOSTON REDEVELOPMENT AUTHORITY
BK 50258 PG 261



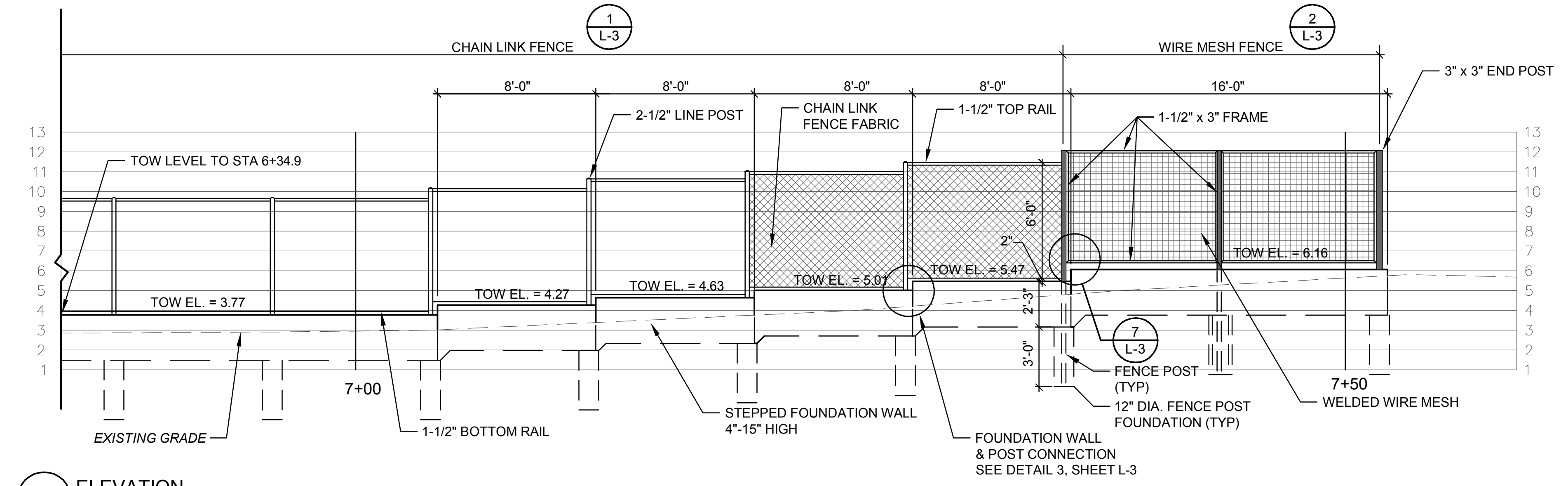
SITE PLAN
SCALE: 1" = 10'



A ELEVATION
SCALE: 1" = 4' - 0"



B ELEVATION
SCALE: 1" = 4' - 0"



C ELEVATION
SCALE: 1" = 4' - 0"

C:\4500s\4558 - Boston - Berkeley Community Garden\Drawing Files\Plan Set\4558 Site Plan_BCC.dwg

NUMBER	DATE	MADE BY	CHECKED BY	DESCRIPTION
REVISIONS				

DRAWN BY:	STR
DESIGNED BY:	STR
CHECKED BY:	KC

BETA Group, Inc.
Engineers • Planners • Landscape Architects • Scientists

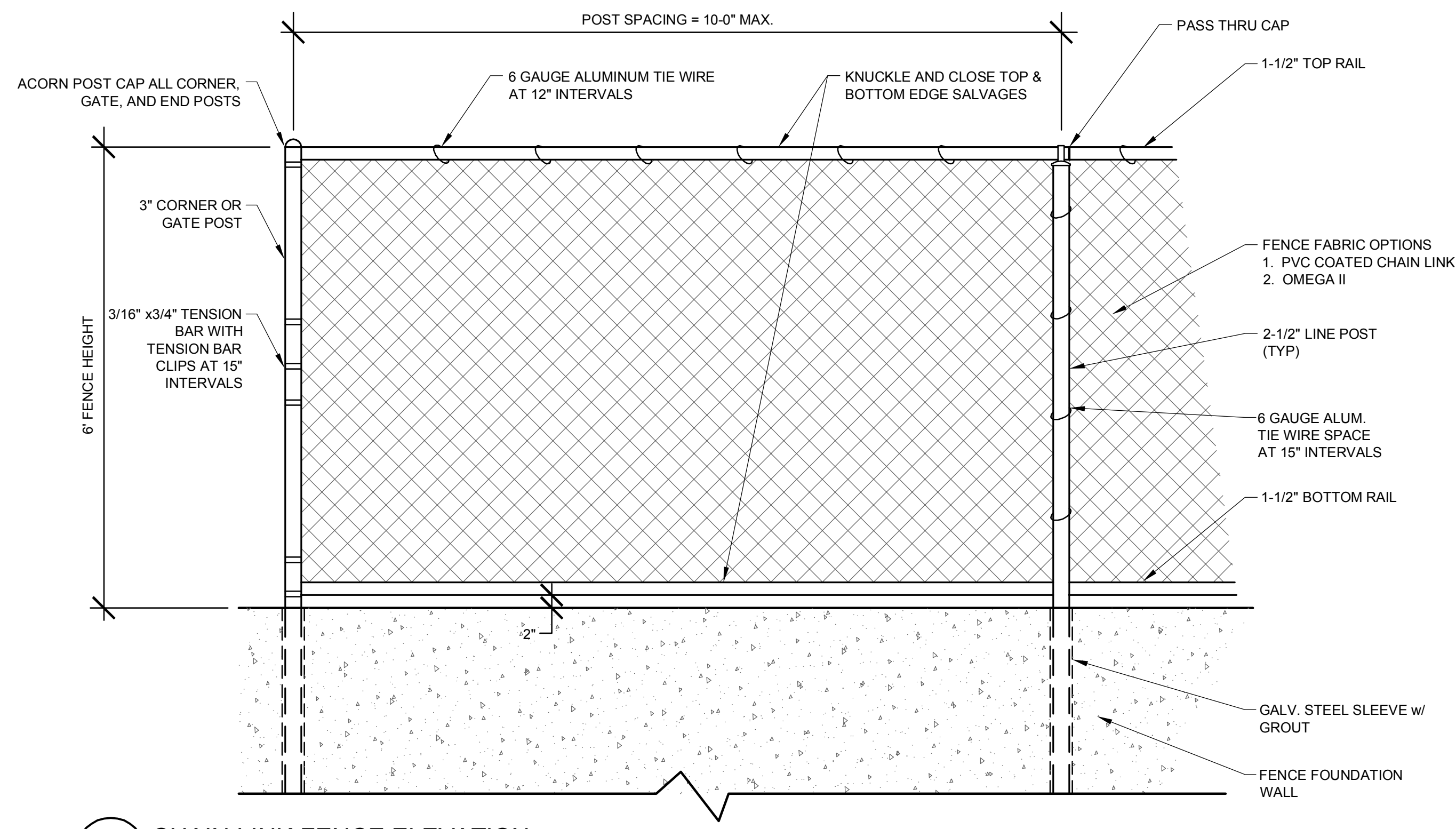
315 Norwood Park South
Norwood, MA 02062
781.255.1982
email: BETA@BETA-inc.com

SCALE: AS NOTED

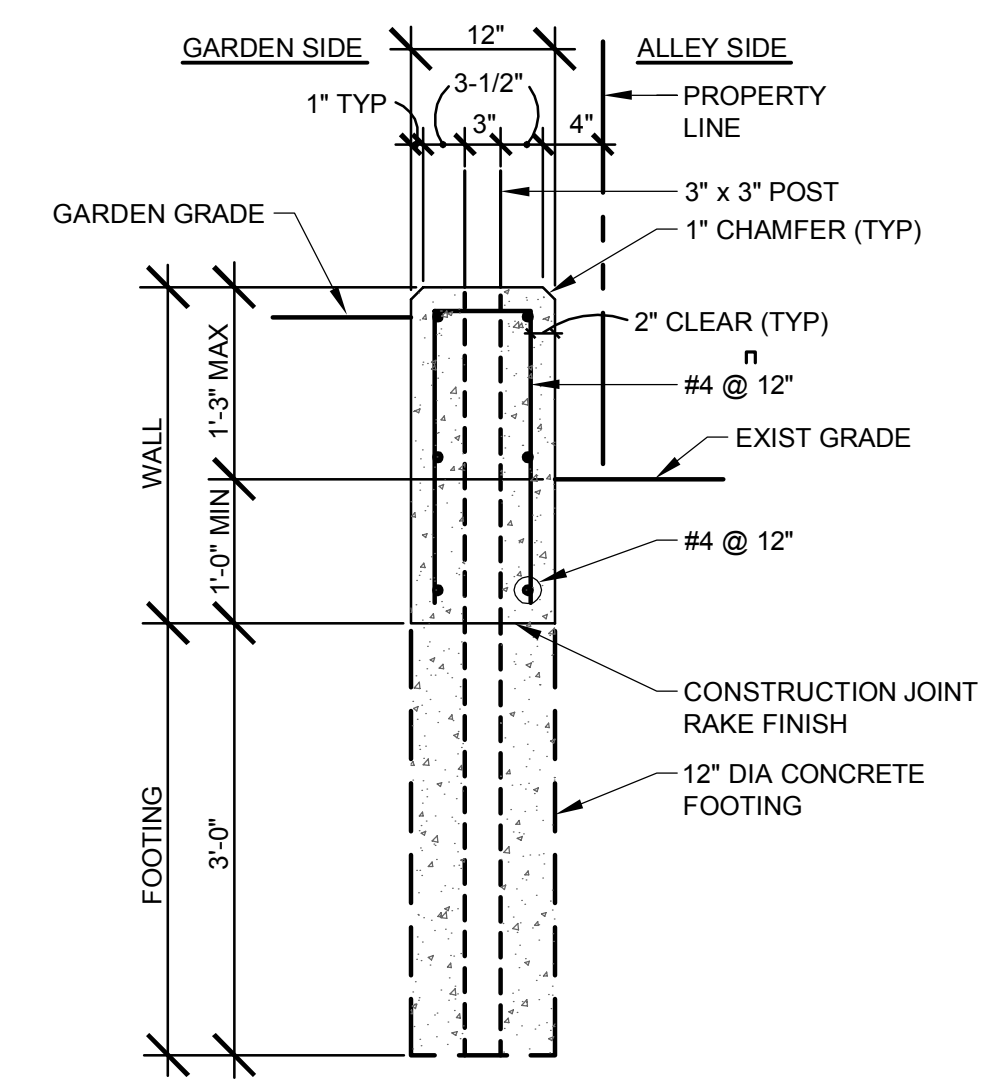
UNLESS OTHERWISE NOTED OR CHANGED BY REPRODUCTION

**BOSTON NATURAL AREAS NETWORK
BERKELEY COMMUNITY GARDEN
FENCE LAYOUT PLAN**

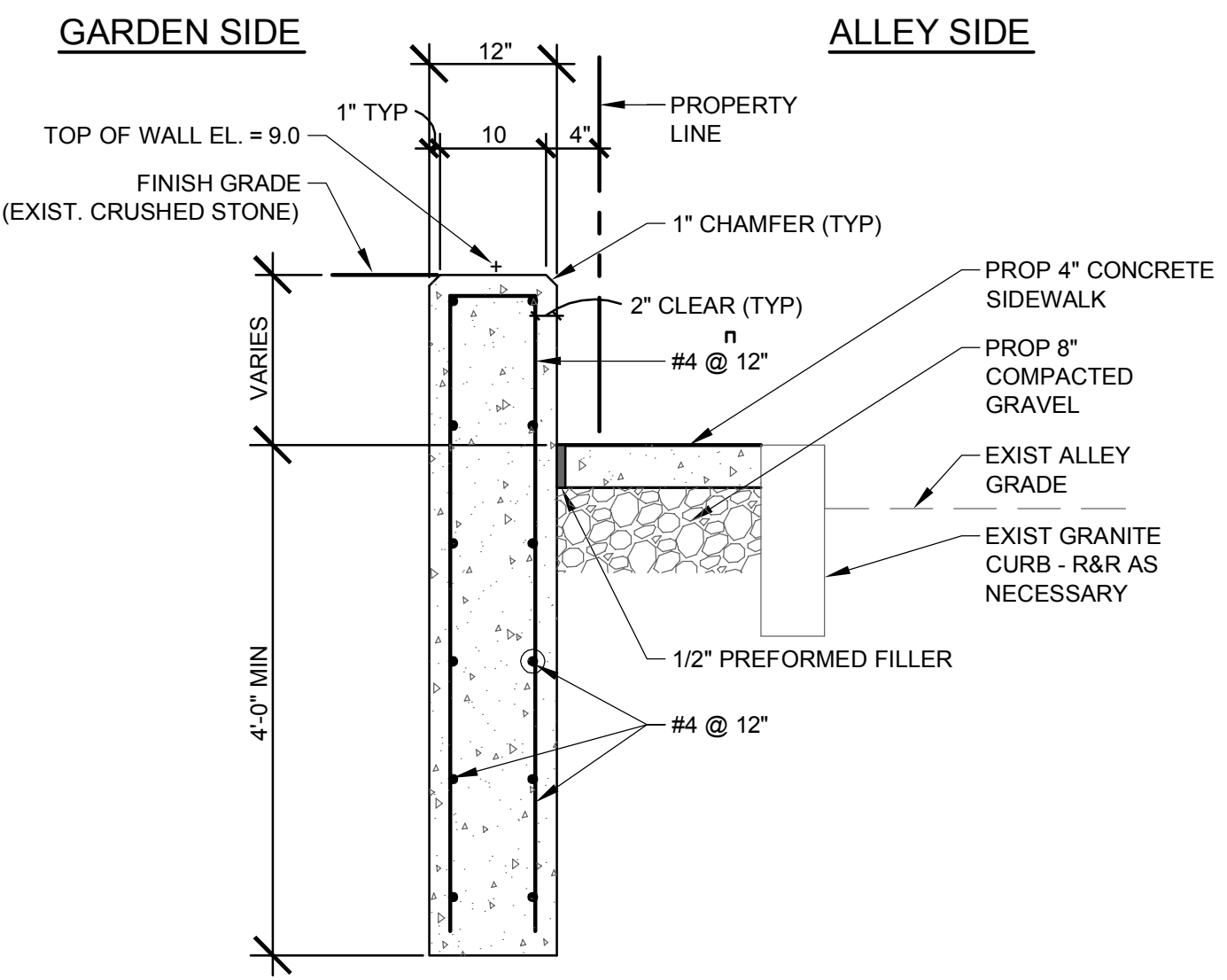
JOB	4558
PLOT DATE:	Jul. 18, 2014 8:55am
ISSUE DATE:	07/17/2014
SHEET	L-2



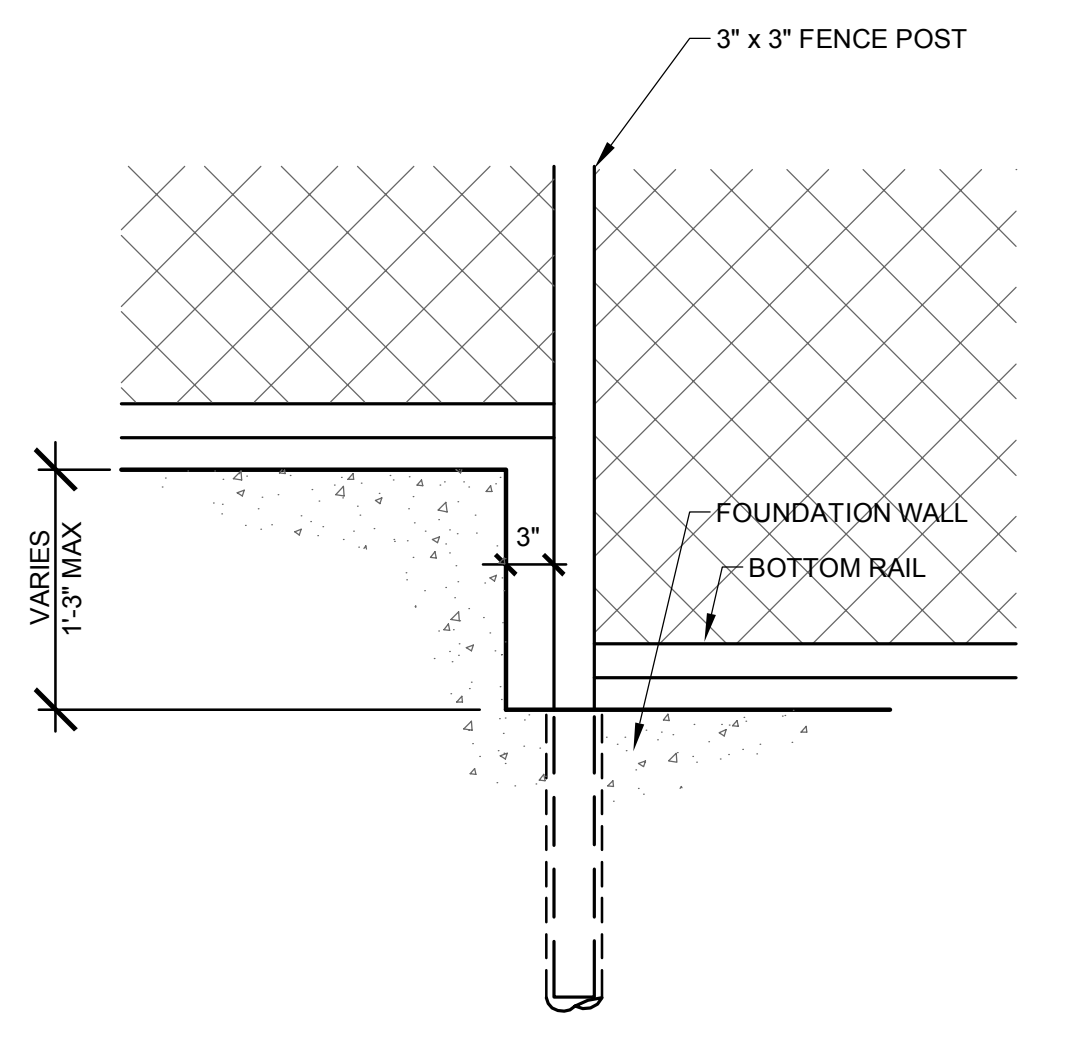
1 CHAIN LINK FENCE ELEVATION
NOT TO SCALE



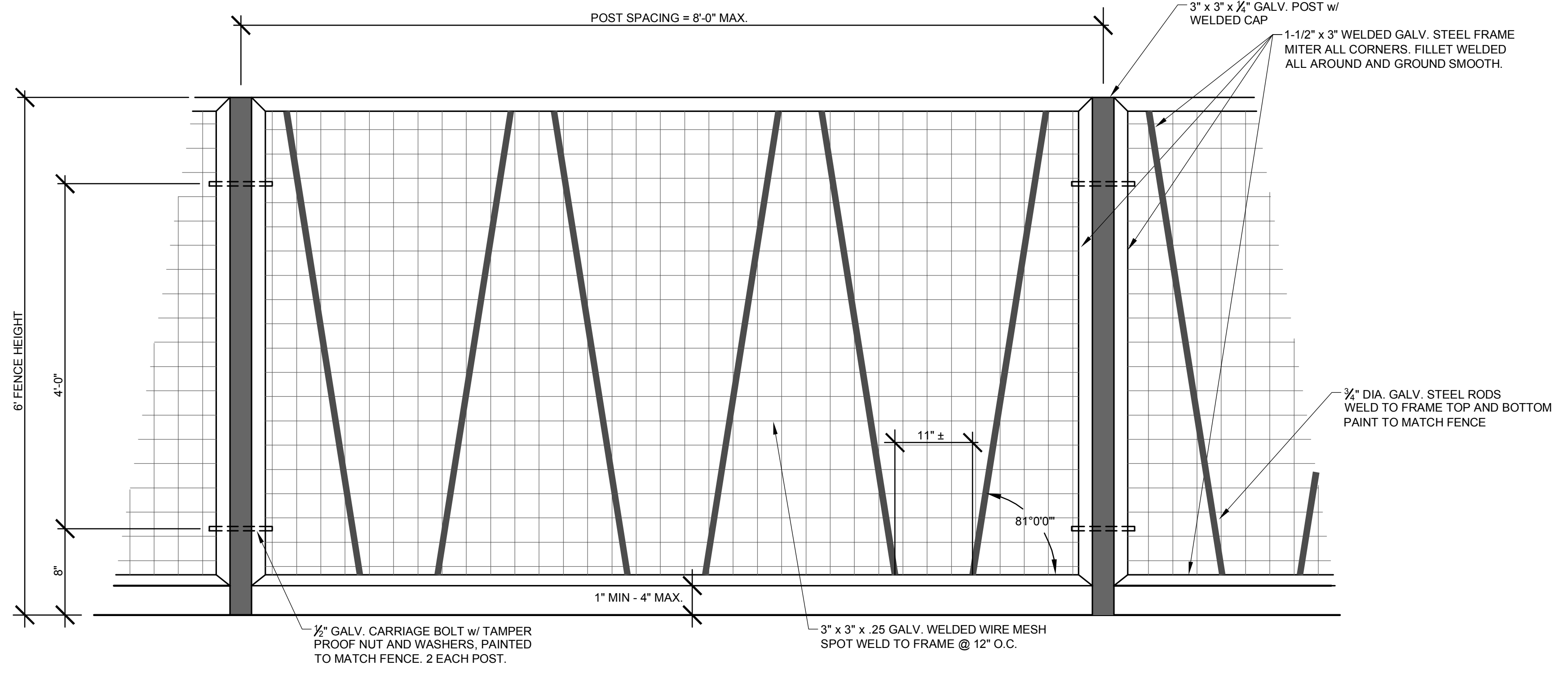
3 FENCE FOUNDATION WALL
NOT TO SCALE



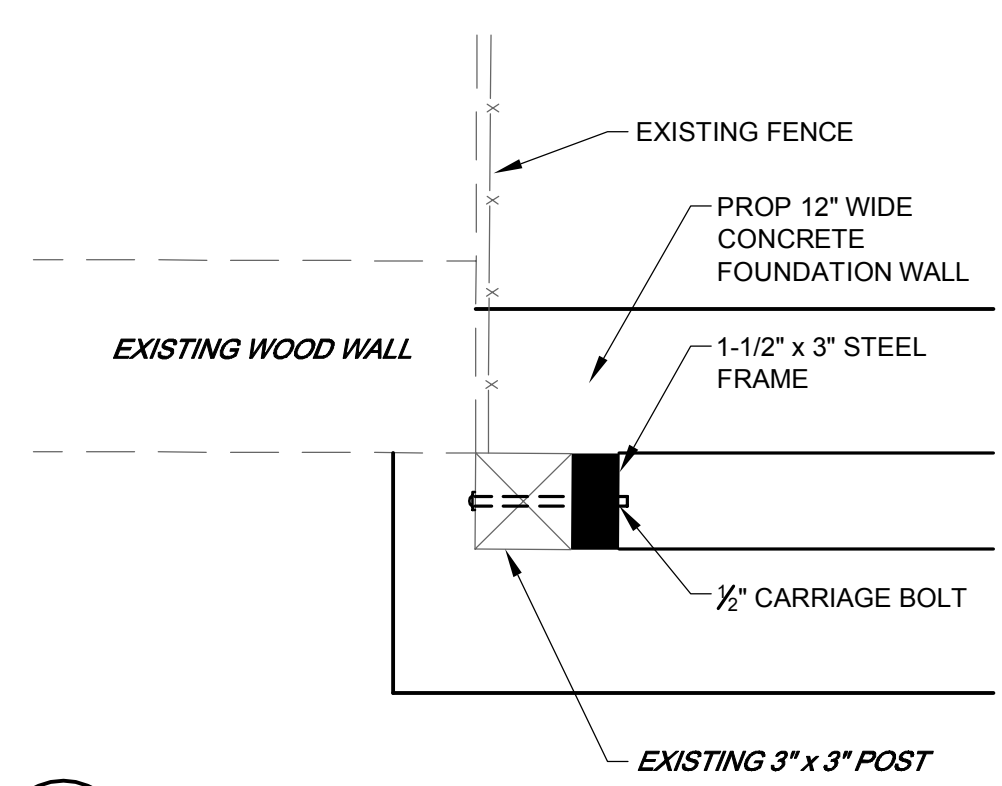
4 CONCRETE RETAINING WALL
NOT TO SCALE



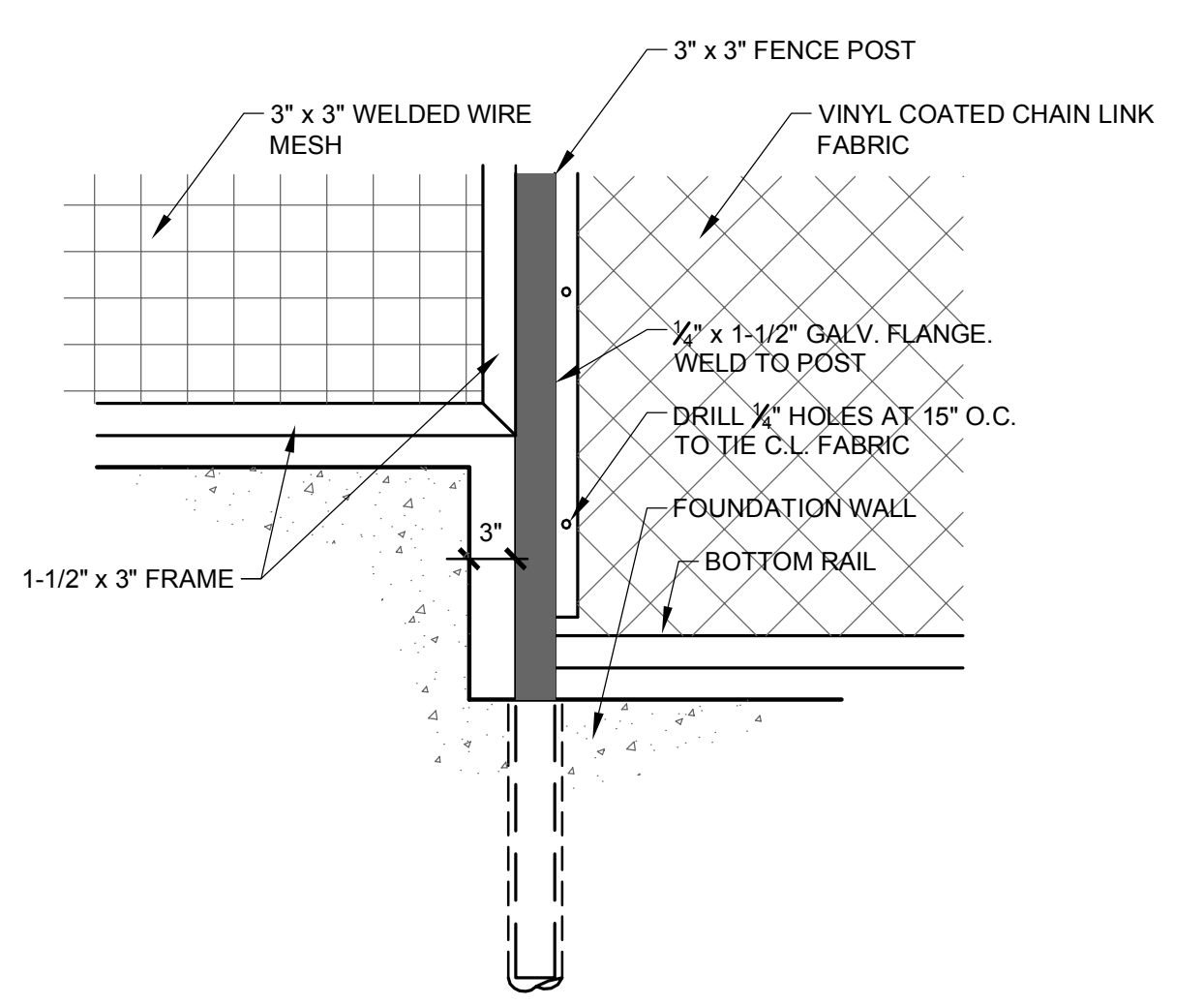
5 FENCE POST & FOUNDATION WALL ELEVATION
SCALE: 2" = 1'-0"



2 WIRE MESH FENCE ELEVATION
NOT TO SCALE



6 PLAN DETAIL STA 0+35
SCALE: 2" = 1'-0"



7 SINGLE FENCE POST
SCALE: 2" = 1'-0"

C:\4500s\4558 - Boston - Berkeley Community Garden\Drawing Files\Plan Set\4558 Site Plan_BCC.dwg

NUMBER	DATE	MADE BY	CHECKED BY	DESCRIPTION
REVISIONS				

DRAWN BY:	STR
DESIGNED BY:	STR
CHECKED BY:	KC

BETA Group, Inc.
Engineers • Planners • Landscape Architects • Scientists

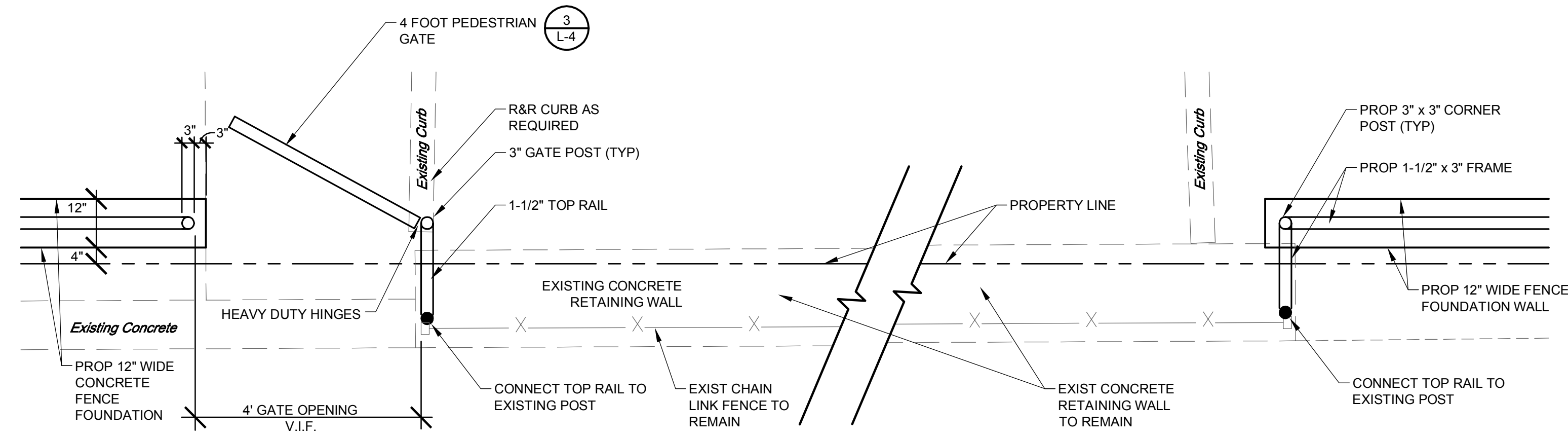
315 Norwood Park South
Norwood, MA 02062
781.255.1982
email: BETA@BETA-inc.com

SCALE: AS NOTED

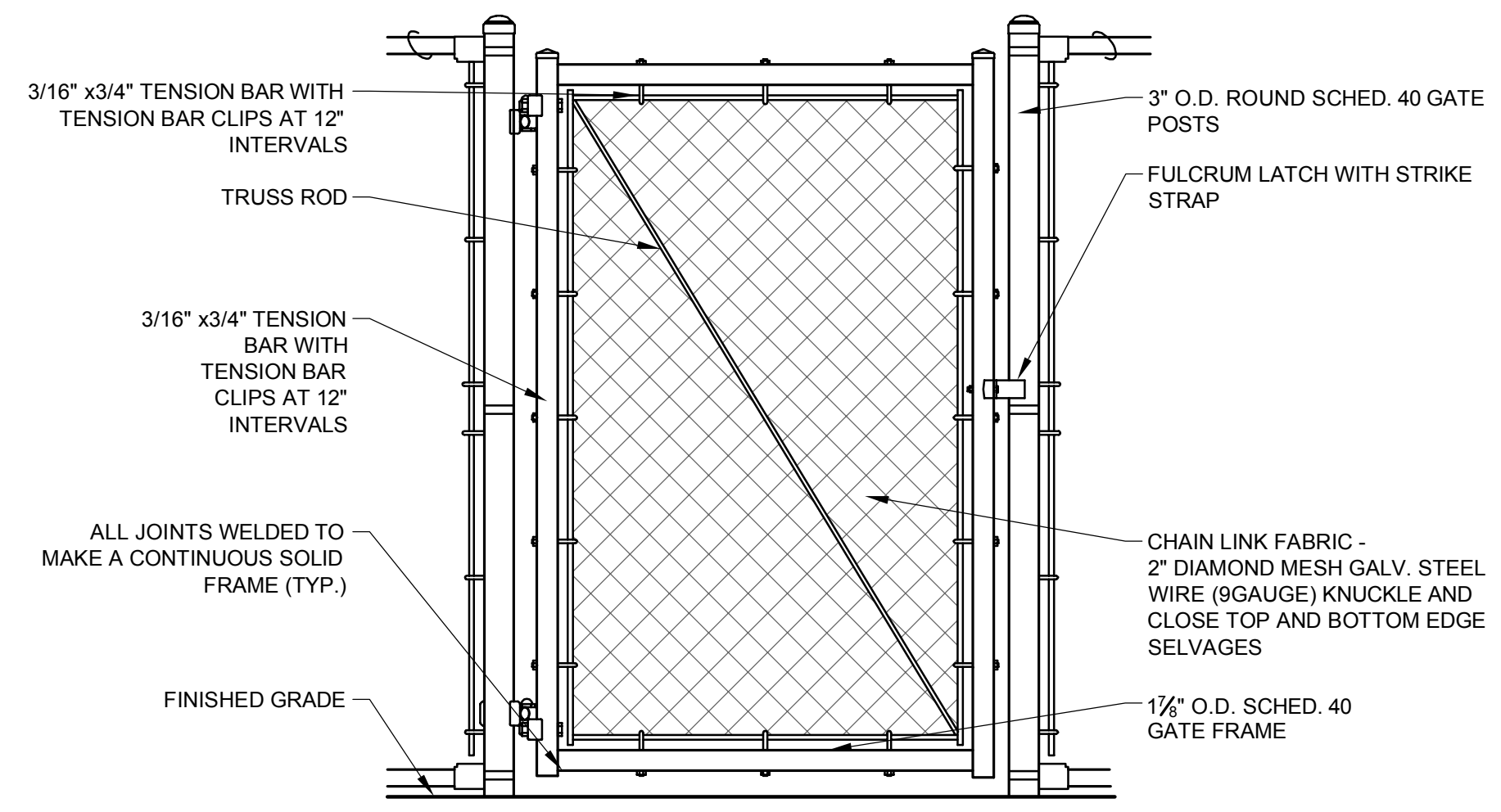
UNLESS OTHERWISE NOTED OR CHANGED BY REPRODUCTION

**BOSTON NATURAL AREAS NETWORK
BERKELEY COMMUNITY GARDEN
FENCE DETAILS**

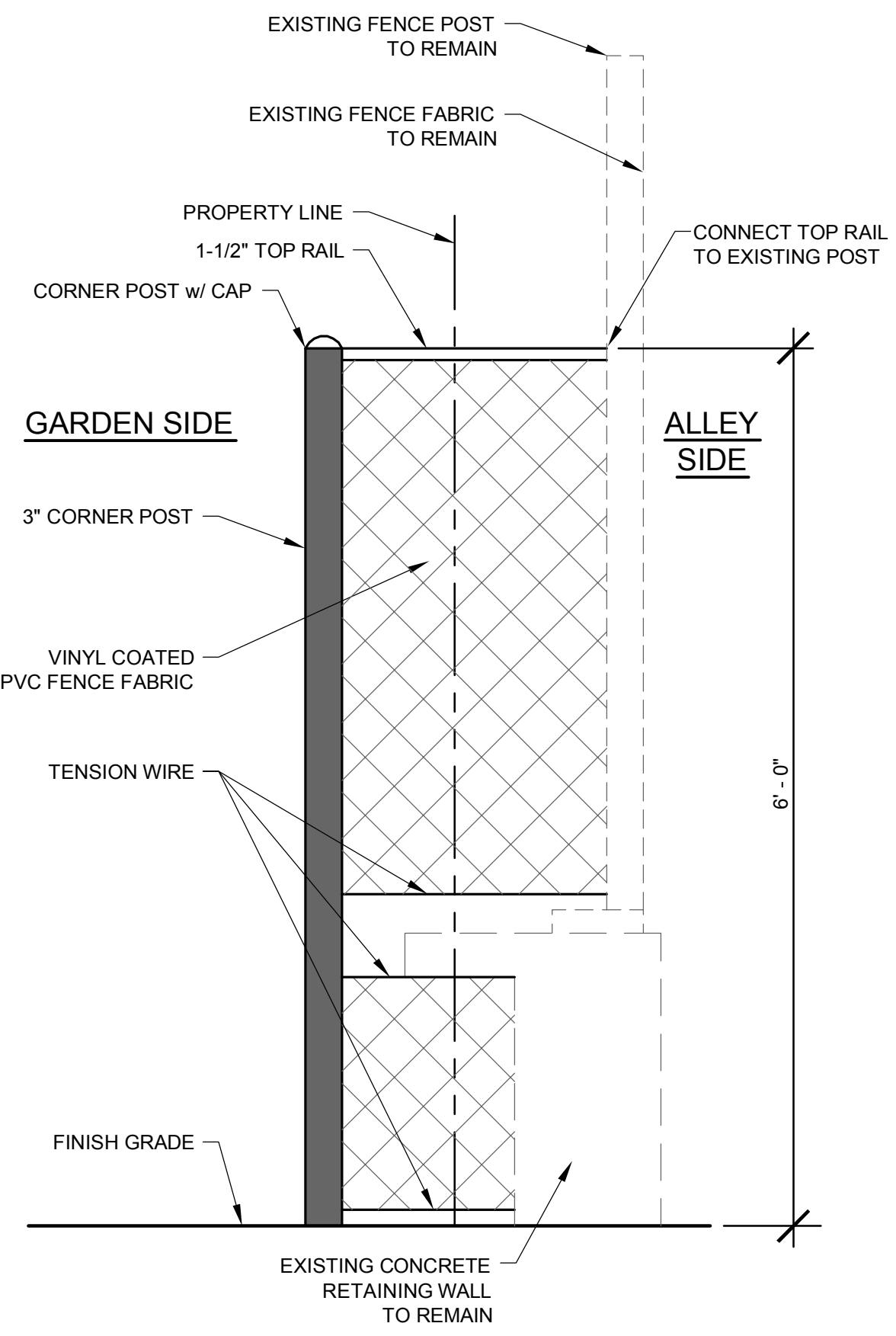
JOB	4558
PLOT DATE:	Jul. 18, 2014 8:45am
ISSUE DATE:	07/17/2014
SHEET	L-3



1 PLAN DETAIL STA 0+75 THRU 1+25 & STA 6+00 THRU 6+35
SCALE: 1/2" = 1' - 0"



3 4 FOOT PEDESTRIAN GATE
NOT TO SCALE



2 END OF RETAINING WALL SIDE ELEVATION
SCALE: 1" = 1' - 0"

C:\4500s\4558 - Boston - Berkeley Community Garden\Drawing Files\Plan Set\4558 Site Plan_BCC.dwg

NUMBER	DATE	MADE BY	CHECKED BY	DESCRIPTION
REVISIONS				

DRAWN BY:	STR
DESIGNED BY:	STR
CHECKED BY:	KC

--

315 Norwood Park South Norwood, MA 02062 781.255.1982 email: BETA@BETA-inc.com	SCALE: AS NOTED UNLESS OTHERWISE NOTED OR CHANGED BY REPRODUCTION
---	--

BOSTON NATURAL AREAS NETWORK BERKELEY COMMUNITY GARDEN FENCE DETAILS

JOB	4558
PLOT DATE:	Jul. 18, 2014 8:45am
ISSUE DATE:	07/17/2014
SHEET	L-4