

SUGIMOTO Residence

334 Marlborough Street, Boston, Massachusetts 02115

Existing Conditions Photos

Date: April 30, 2021



Curb



Side Brick Walk to Basement



Main Brick Walk and Front Stoop



Main Entrance



Brownstone Curb Detail



Brownstone Curb



Hand Rail Detail



Window Well



ZEN Associates, Inc.
the balance of art, science, and nature

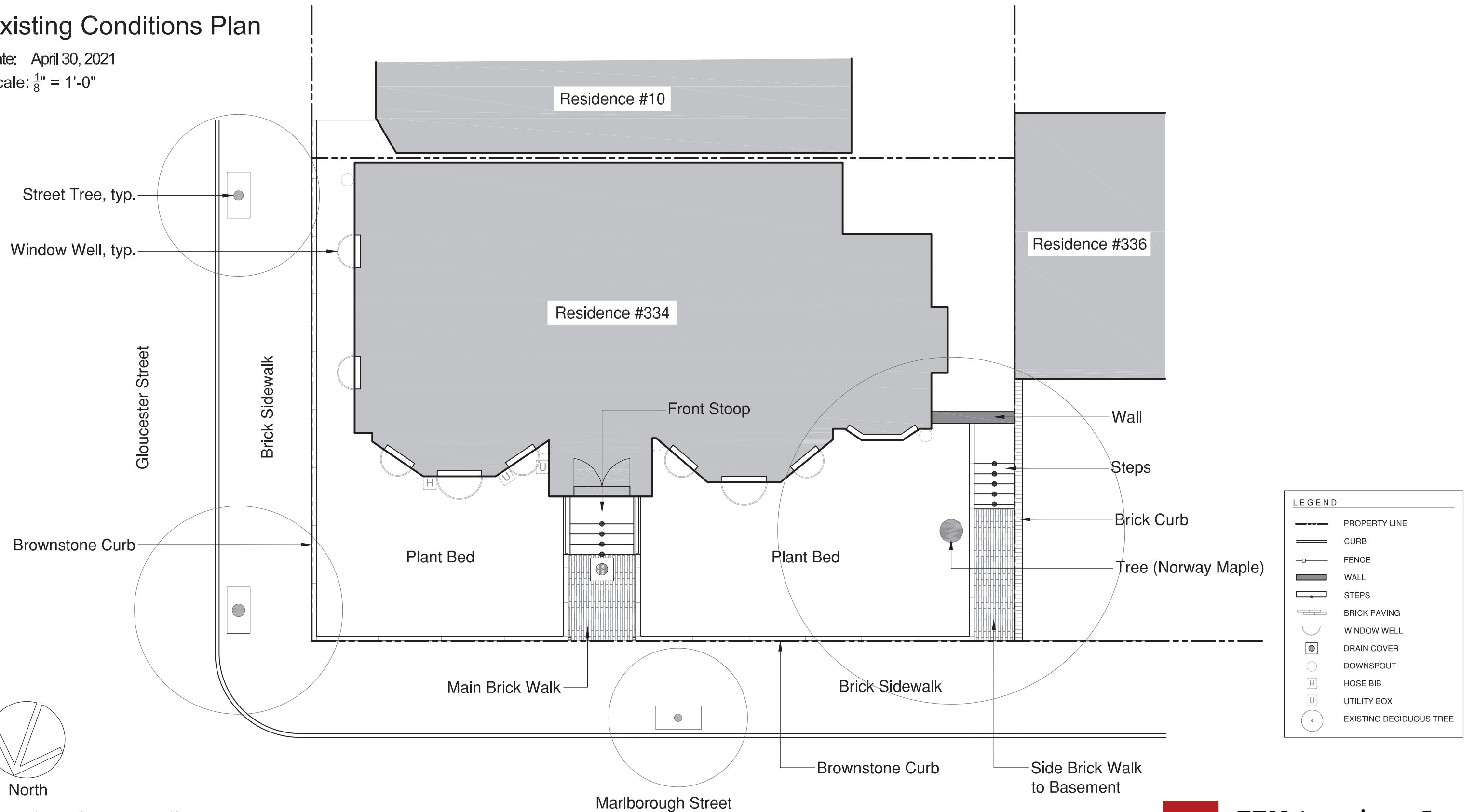
SUGIMOTO Residence

334 Marlborough Street, Boston, Massachusetts 02115

Existing Conditions Plan

Date: April 30, 2021

Scale: $\frac{1}{8}'' = 1'-0''$



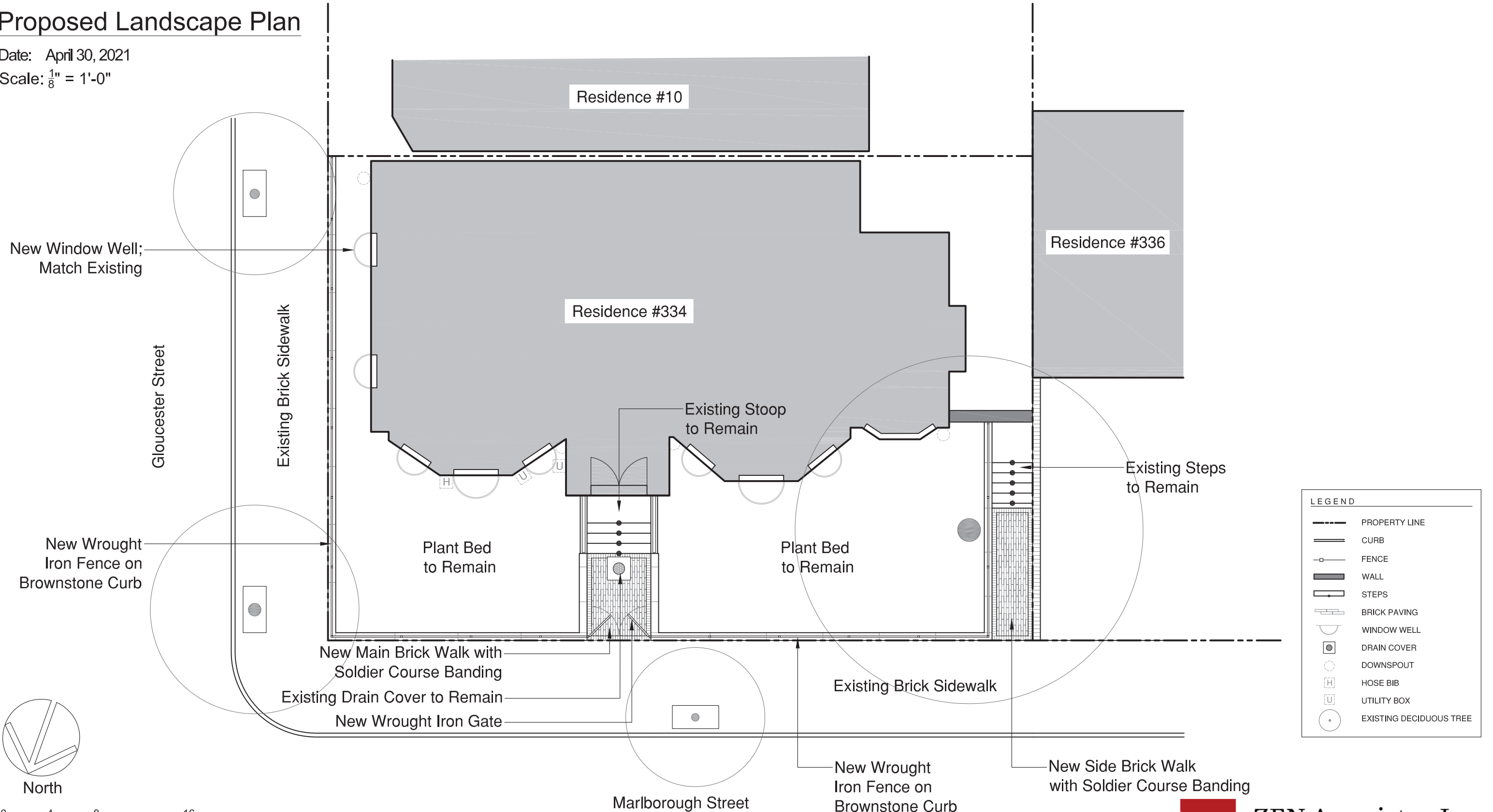
SUGIMOTO Residence

334 Marlborough Street, Boston, Massachusetts 02115

Proposed Landscape Plan

Date: April 30, 2021

Scale: $\frac{1}{8}$ " = 1'-0"



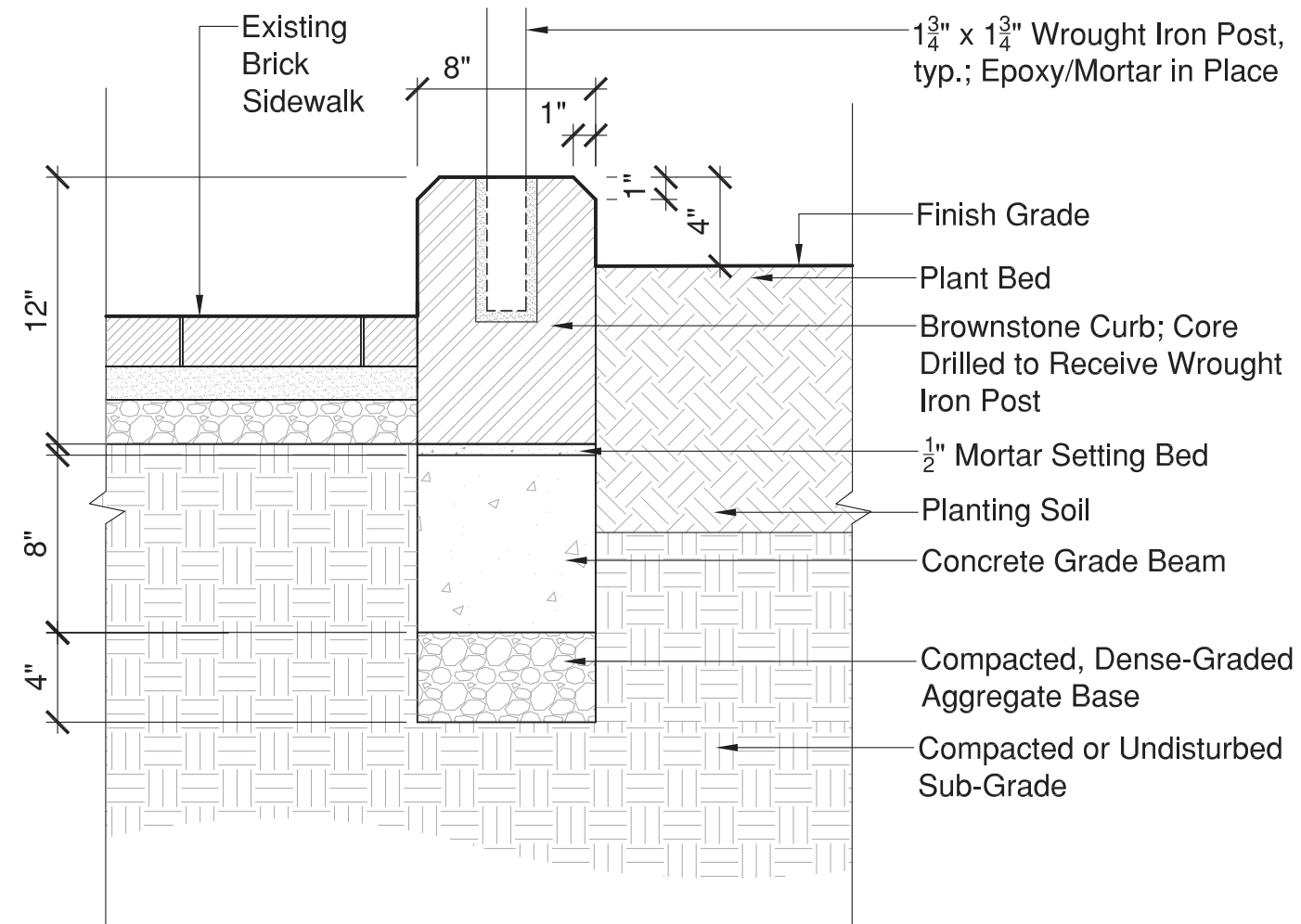
SUGIMOTO Residence

334 Marlborough Street, Boston, Massachusetts 02115

Curb and Fence Details

Date: April 30, 2021

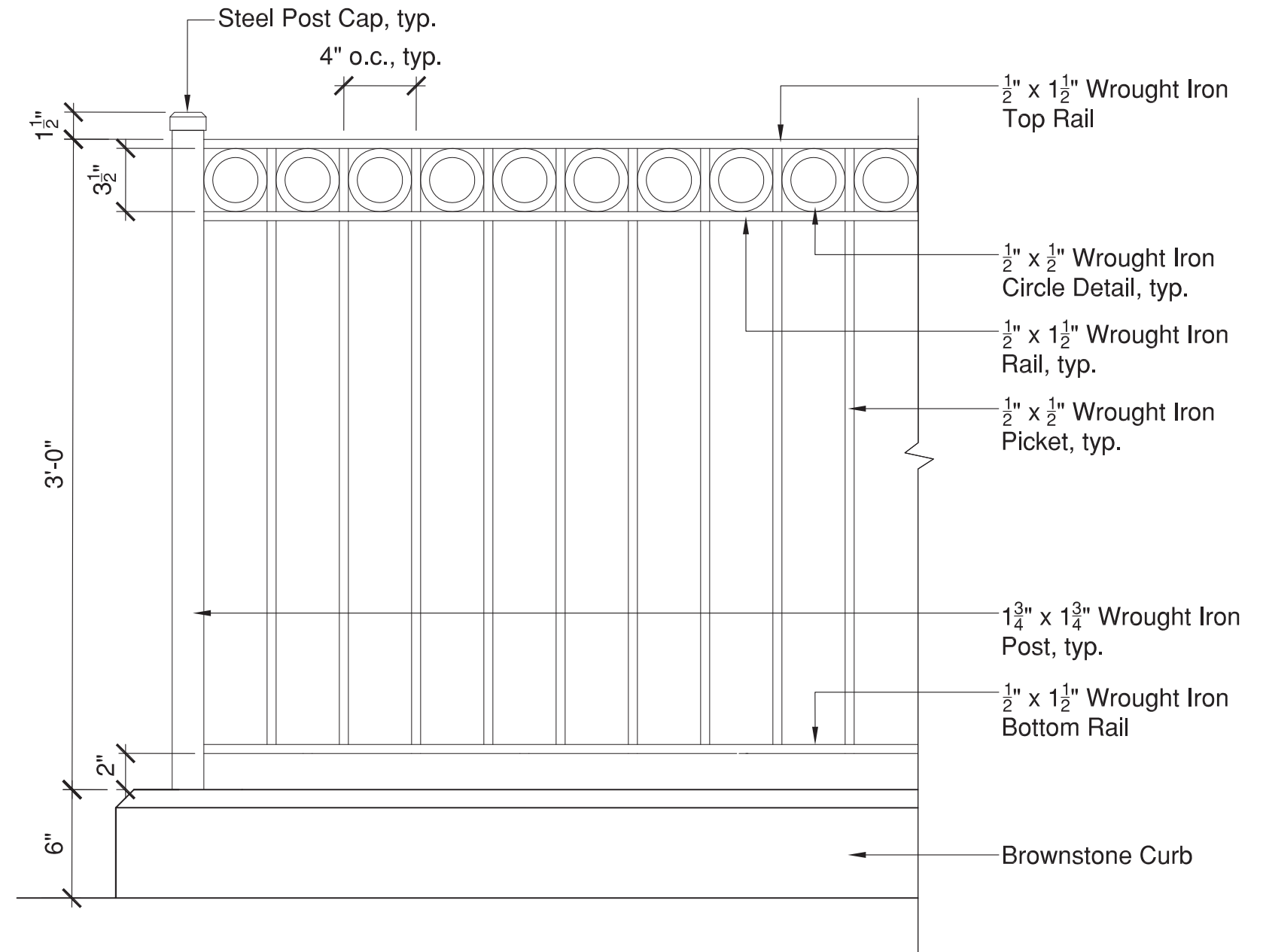
Scale: $1\frac{1}{2}" = 1'-0"$



1 Curb Section
SCALE: $1\frac{1}{2}" = 1'-0"$

Note:

- All Wrought Iron to Have Epoxy Coated Finish
- Epoxy Coated Finish to be Black
- Brownstone Curb to Have Honed Finish



2 Fence Elevation
SCALE: $1\frac{1}{2}" = 1'-0"$

SUGIMOTO Residence

334 Marlborough Street, Boston, Massachusetts 02115

Character Images

Date: April 30, 2021



Wrought Iron Fence



Fence Detail



Wrought Iron Gate



Brownstone Curb Material



Brick Walk Pattern Option 1 - Running Bond



Brick Walk Pattern Option 2 - Herringbone



ZEN Associates, Inc.
the balance of art, science, and nature

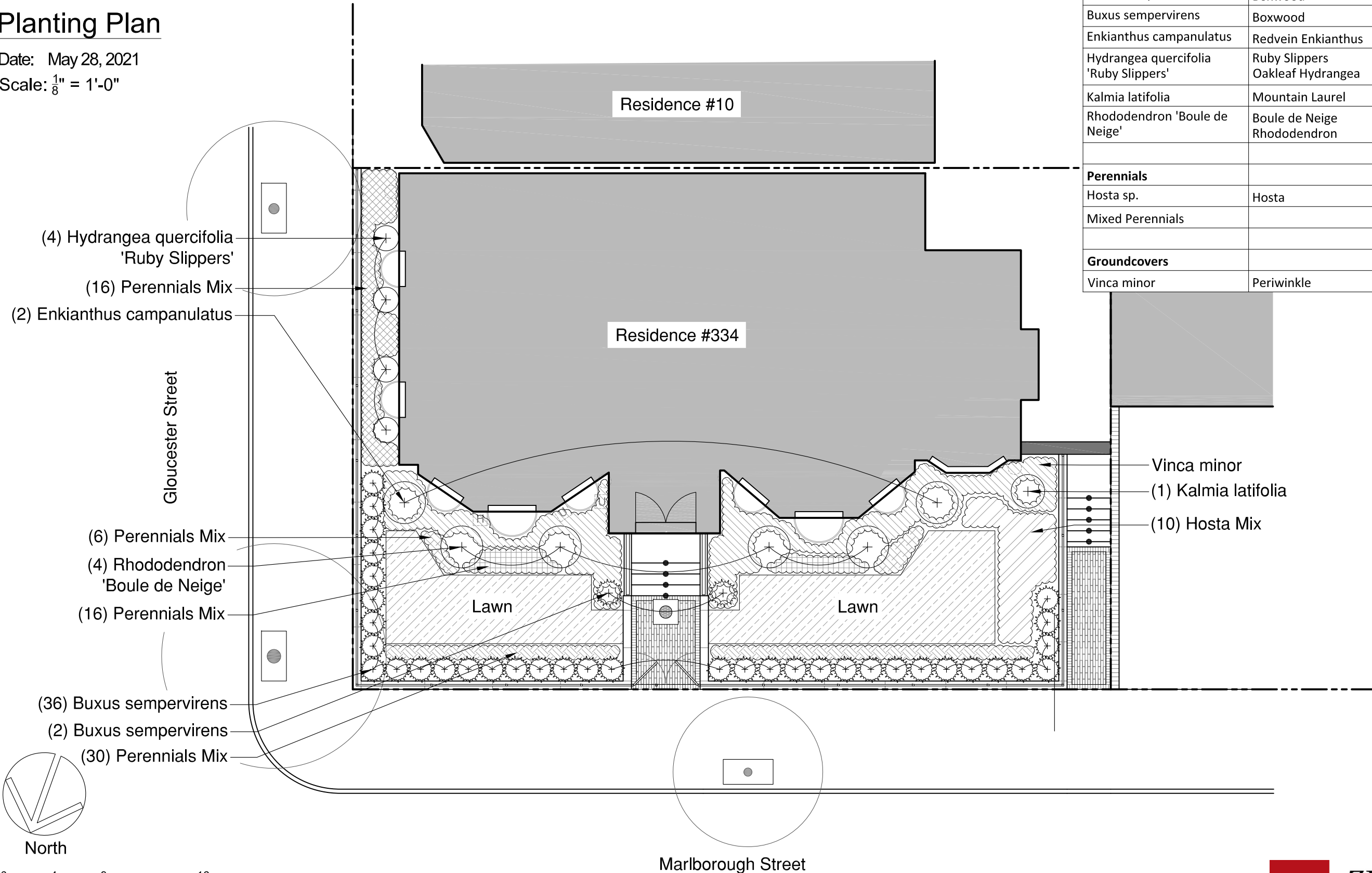
SUGIMOTO Residence

334 Marlborough Street, Boston, Massachusetts 02115

Planting Plan

Date: May 28, 2021

Scale: $\frac{1}{8}$ " = 1'-0"



Botanical Name	Common Name	Qty.	Size	Notes
Shrubs				
Buxus sempervirens	Boxwood	2	24"HT	
Buxus sempervirens	Boxwood	36	20"HT	
Enkianthus campanulatus	Redvein Enkianthus	2	42"HT	
Hydrangea quercifolia 'Ruby Slippers'	Ruby Slippers Oakleaf Hydrangea	4	24"HT	
Kalmia latifolia	Mountain Laurel	1	36"HT	
Rhododendron 'Boule de Neige'	Boule de Neige Rhododendron	4	36"-48"HT	
Perennials				
Hosta sp.	Hosta	10	3 GAL.	
Mixed Perennials		68	1 GAL.	Species T.B.D.
Groundcovers				
Vinca minor	Periwinkle			

LEGEND

- EXISTING DECIDUOUS TREE TO REMAIN
- EXISTING EVERGREEN TREE TO REMAIN
- PROPOSED DECIDUOUS SHRUB
- PROPOSED EVERGREEN SHRUB
- LAWN
- PERENNIAL MIX 1
- PERENNIAL MIX 2
- PERENNIAL MIX 3
- PERENNIAL MIX 4
- PERENNIAL MIX 5
- GROUNDCOVER

