










Contract - Detailed

Pella Windows and Doors
 HIC# 183279 / Tax ID# 26-1413183 45 Fondi Road
 Haverhill, MA 01832

Sales Rep Name: Gladeau, Darren
Sales Rep Phone: 978-609-5056
Sales Rep Fax:
Sales Rep E-Mail: gladeaudr@pellaboston.com

Customer Information	Project/Delivery Address	Order Information
George Gilpatrick 15 Ridgeway Ln Boston, MA 02114-4206 Primary Phone: (617) 7849292 Mobile Phone: Fax Number: E-Mail: ggilpatrick@cahillswift.com Great Plains #: 1006389654 Customer Number: 1010215606 Customer Account: 1006389654	George Gilpatrick - 15 Ridgeway Ln, Boston, MA, US 15 Ridgeway Ln Lot # Boston, MA 02114 County:	Quote Name: George Gilpatrick - 15 Ridgeway Ln, Boston, Order Number: 741DG0513 Quote Number: 14431223 Order Type: Installed Sales Payment Terms: Deposit/C.O.D. Tax Code: MA TAX 6.25 Quoted Date: 8/8/2021

Line #	Location:	Attributes		
--------	-----------	------------	--	--

Line #	Location:	Attributes	Item Price	Qty	Ext'd Price
10	CUSTOM PATIO	Pella® Reserve, Traditional, Inswing Door, Right, 35.5 X 81.5, Black  PK # 2094 Viewed From Exterior 1: Traditional, Non-Standard Size Non-Standard Size Right Inswing Door Frame Size: 35 1/2 X 81 1/2 General Information: Standard, Clad, Pine, 5 7/8", 4 9/16", Standard Sill, Bronze Finish Sill, Oak Threshold Exterior Color / Finish: Painted, Standard Enduraclad, Black Interior Color / Finish: Prefinished White Paint Interior Sash / Panel: Putty Glaze, Ogee, Standard Glass: Insulated Dual Tempered Low-E Advanced Low-E Insulating Glass Argon Non High Altitude Hardware Options: Standard, Bright Brass, Order Handle Set, Multipoint Lock, No Integrated Sensor Screen: No Screen Performance Information: U-Factor 0.29, SHGC 0.19, VLT 0.33, CPD PEL-N-218-04199-00001, Performance Class LC, PG 55, Calculated Positive DP Rating 55, Calculated Negative DP Rating 70, Year Rated 11 Grille: ILT, No Custom Grille, 7/8", Traditional (3W5H), Putty Glaze, Ogee, 3x5 Wrapping Information: No Exterior Trim, 4 9/16", 5 7/8", Factory Applied, Pella Recommended Clearance, Perimeter Length = 234". Frame Size: 35.5" X 81.5"	\$8,000.13	1	\$8,000.13
		Paint/Stain Int Trim Wood - Paint/Stain Interior Trim Only (Wood)		Qty 1	
		Historic Door Install - Historic Door Install		Qty 1	
		Lead Safe Install - Lead Safe Install		Qty 1	
		Paint/Stain Ext Trim - Paint/Stain Exterior Trim Only (Wood)		Qty 1	

For more information regarding the finishing, maintenance, service and warranty of all Pella® products, visit the Pella® website at www.pella.com

Extra Layer EXT - Extra Layer Exterior Trim	Qty	1
City Logistics - City Logistics	Qty	1
Paint ED Frame - Paint Door Frame Only	Qty	1

Line #	Location:	Attributes	Item Price	Qty	Ext'd Price
15	None Assigned	Delivery/Setup - Delivery/Setup	\$214.33	1	\$214.33

Thank You For Purchasing Pella® Products

PELLA WARRANTY:

Pella products are covered by Pella's limited warranties in effect at the time of sale. All applicable product warranties are incorporated into and become a part of this contract. Please see the warranties for complete details, taking special note of the two important notice sections regarding installation of Pella products and proper management of moisture within the wall system. Neither Pella Corporation nor the Seller will be bound by any other warranty unless specifically set out in this contract. However, Pella Corporation will not be liable for branch warranties which create obligations in addition to or obligations which are inconsistent with Pella written warranties.

Clear opening (egress) information does not take into consideration the addition of a Rolscreen [or any other accessory] to the product. You should consult your local building code to ensure your Pella products meet local egress requirements.

Per the manufacturer's limited warranty, unfinished mahogany exterior windows and doors must be finished upon receipt prior to installing and refinished annually, thereafter. Variations in wood grain, color, texture or natural characteristics are not covered under the limited warranty.

INSYNCTIVE PRODUCTS: In addition, Pella Insynctive Products are covered by the Pella Insynctive Products Software License Agreement and Pella Insynctive Products Privacy Policy in effect at the time of sale, which can be found at [Insynctive.pella.com](https://www.pella.com). By installing or using Your Insynctive Products you are acknowledging the Insynctive Software Agreement and Privacy Policy are part of the terms of sale.

Notice of Collection of Personal Information: We may collect your personal information when you interact with us. Under the California Consumer Privacy Act (CCPA), California residents have specific rights to request this information, request to delete this information, and opt out of the sharing or sale of this information to third parties. To learn more about our collection practices and your rights under the CCPA please visit our link <https://www.pella.com/california-rights-policy/> at [pella.com](https://www.pella.com).

ARBITRATION AND CLASS ACTION WAIVER ("ARBITRATION AGREEMENT")

YOU and Pella and its subsidiaries and the Pella Branded Distributor AGREE TO ARBITRATE DISPUTES ARISING OUT OF OR RELATING TO YOUR PELLA PRODUCTS (INCLUDES PELLA GOODS AND PELLA SERVICES) AND WAIVE THE RIGHT TO HAVE A COURT OR JURY DECIDE DISPUTES. YOU WAIVE ALL RIGHTS TO PROCEED AS A MEMBER OR REPRESENTATIVE OF A CLASS ACTION, INCLUDING CLASS ARBITRATION, REGARDING DISPUTES ARISING OUT OF OR RELATING TO YOUR PELLA PRODUCTS. You may opt out of this Arbitration Agreement by providing notice to Pella no later than ninety (90) calendar days from the date You purchased or otherwise took ownership of Your Pella Goods. To opt out, You must send notice by e-mail to pellawebsupport@pella.com, with the subject line: "Arbitration Opt Out" or by calling (877) 473-5527. Opting out of the Arbitration Agreement will not affect the coverage provided by any applicable limited warranty pertaining to Your Pella Products. For complete information, including the full terms and conditions of this Arbitration Agreement, which are incorporated herein by reference, please visit www.pella.com/arbitration or e-mail to pellawebsupport@pella.com, with the subject line: "Arbitration Details" or call (877) 473-5527. D'ARBITRAGE ET RENONCIATION AU RECOURS COLLECTIF ("convention d'arbitrage") EN FRANÇAIS SEE PELLA.COM/ARBITRATION. DE ARBITRAJE Y RENUNCIA COLECTIVA ("acuerdo de arbitraje") EN ESPAÑOL VER PELLA.COM/ARBITRATION.

Seller shall not be held liable for failure or delay in the performance of its obligations under this Agreement, if such performance is hindered or delayed by the occurrence of an act or event beyond the Seller's reasonable control (force majeure event), including but not limited to earthquakes, unusually severe weather and other Acts of God, fire, strikes and labor unrest, epidemics, riots, war, civil unrest, and government interventions. Seller shall give timely notice of a force majeure event and take such reasonable action to mitigate the impacts of such an event.

Product Performance Information:

U-Factor, Solar Heat Gain Coefficient (SHGC), and Visible Light Transmittance (VLT) are certified by the National Fenestration Rating Council (NFRC). Manufacturer stipulates that these ratings conform to applicable NFRC procedures for determining whole product performance. NFRC ratings are determined for a

For more information regarding the finishing, maintenance, service and warranty of all Pella® products, visit the Pella® website at www.pella.com

fixed set of environmental conditions and a specific product size. NFRC does not recommend any products and does not warrant the suitability of any product for any specific use.

Design Pressure (DP), Performance Class, and Performance Grade (PG) are certified by a third party organization, in many cases the Window and Door Manufacturers Association (WDMA). The certification requires the performance of at least one product of the product line to be tested in accordance with the applicable performance standards and verified by an independent party. The certification indicates that the product(s) of the product line passed the applicable tests. The certification does not apply to mulled and/or product combinations unless noted. Actual product results will vary and change over the products life.

For more performance information along with information on Florida Product Approval System (FPAS) Number and Texas Dept. of Insurance (TDI) number go to www.pella.com/performance.

Project Checklist Review (Installed Orders Only)

Before the Installation the Homeowner agrees to do the following:

Obtain Condo Association Approval

Obtain Historic Approval

Remove existing shutters and awnings

Remove air conditioners

Remove existing shades, drapes, window treatments, wall hangings, and personal belongings

Move furniture at least 3 feet away from work area

Tie or cut back trees, bushes and shrubs in the work area

Arrange to have alarm system and doorbells disconnected

Arrange to have any plumbing and electrical repairs or changes made by appropriate licensed contractor

Provide a door handle and lockset for entry door if Pella handle and lockset is not purchased.

Before the Installation Pella agrees to do the following:

Obtain Building Permit (When required)

Prefinish products when purchased in contract

During the Installation the Homeowner agrees to do the following:

Keep pets safely away from work area

Keep children safely away from work area

Allow Pella Installer room to work safely within your home

During the Installation Pella agrees to do the following:

Deliver and unload products purchased per contract

Place and remove drop cloths in work area then vacuum, and remove all debris at end of day
 Remove existing product, including storm windows, and dispose of it unless otherwise specified
 Install all products using method specified in contract per Pella Installation Instructions
 Replace interior and/or exterior trim only if purchased
 If Purchased, install exterior primed pine wood trim or Composite. Composite will be unfinished.
 If Purchased, install interior trim matching wood window finish or White trim for Impervia and Encompass
 Install non-Pella entry door lockset provided by you. Pella is not responsible for it's quality or performance

After the Installation the Homeowner agrees to do the following:

Be available for completion and sign off to verify all products purchased are in working order
 Reinstall existing shutters and awnings
 Re-install existing shades, drapes, window treatments, wall hangings, and reposition furniture
 Arrange to have alarm system and doorbells reinstalled
 Reinstall air conditioners
 Remove stickers from product and save for energy rebate and tax purposes
 Wash all interior & exterior glass surfaces
 Fill nail holes and joints on interior trim if windows are to be stained (after staining)
 Clean up exterior casing issues due to storm window removal if full wrap or new exterior trim is not purchased

_____ Project Checklist has been reviewed
 Customer initial

_____ Product Only Addendum has been reviewed
 Customer initial

_____ Final payment is due upon Substantial Completion per the Terms and Conditions
 Customer Initial

_____ Removal and reinstallation of blinds are the responsibility of the homeowner. If for any reason blinds are not removed, you will be charged to remove the blinds and we are not responsible for any damage that might occur to the existing blinds. Pella will not reinstall blinds and does not guaranty existing blinds will fit in to the new windows.
 Customer Initial

A 1.5% FINANCE CHARGE PER MONTH WILL BE ASSESSED TO ALL BALANCES OLDER THAN 30 DAYS

Credit Card Account #: Last 4 Digits _____

Expiration Date: _____ / _____

Charge final payment to same account
(Upon substantial completion)

Customer initial

Customer Name (Please print)

Pella Sales Rep Name (Please print)

Customer Signature

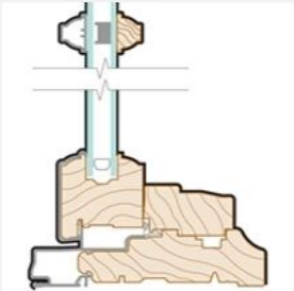
Pella Sales Rep Signature

Date

Date

Credit Card Approval Signature

Order Totals	
Taxable Subtotal	\$6,346.75
Sales Tax @ 6.25%	\$396.67
Non-taxable Subtotal	\$1,867.71
Total	\$8,611.13
Deposit Received	\$2,870.00
Amount Due	\$5,741.13



Aluminum-Clad Wood

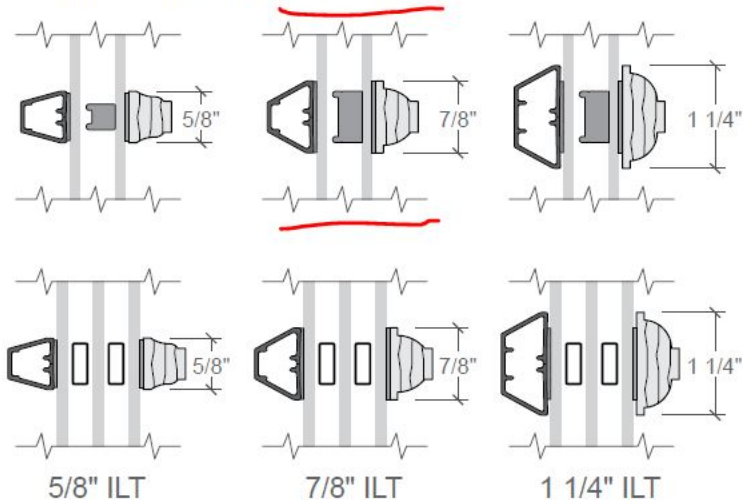


Integral Light Technology® Grilles

Integral Light Technology®

Putty and Ogee Glaze Grilles

Clad Exterior - Wood Interior





Product Selection Guide

- Size and Performance Data..... ISD-2
- Sound Transmission Class and Outdoor-Indoor Transmission Class ISD-3
- Features and Options ISD-4
- Combination Assemblies..... ISD-5
- Glazing Performance..... ISD-6
- Impact-Resistant Glazing ISD-11
- Grille Types
 - Typical Grille Patterns..... ISD-13
 - Custom Shapes..... ISD-14
- Size Tables ISD-15
- Special Sizes and Dimensions ISD-21
- Design Data..... ISD-22
- Detailed Product Descriptions
 - Clad ISD-26
 - Wood ISD-27
- Unit Sections
 - Wood Collection ISD-28
 - Clad ISD-32
 - Wood ISD-39
 - Handle Hardware Dimensions..... ISD-42

The information published in this document is believed to be accurate at the time of publication. However, because we are constantly working to improve our products, specifications are subject to change without notice. Consult your local Pella representative for up-to-date product information.

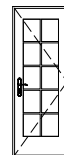
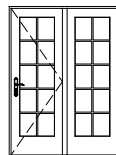
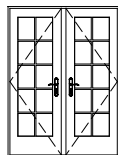


Pella® Reserve™ Traditional In-Swing Patio Door

Size and Performance Data

	Clad	Wood
Sizes		
Standard door sizes	●	●
Standard sidelight sizes	●	●
Standard transom sizes – Fixed Frame Direct Set	●	●
Fixed casement	●	●
Wide stile casement	●	●
Special sizes	●	●
Custom sizes and shapes	●	●
Standard Single-Swing Single Door Widths		
2' 2"	●	●
2' 6"	●	●
2' 10"	●	●
3'	●	●
3' 2"	●	●
Standard Single-Swing Double Door Widths		
4' 2"	●	–
5'	●	–
5' 7"	●	–
6'	●	–
6' 3"	●	–
Standard Double-Swing Door Widths		
4' 2"	●	●
5'	●	●
5' 7"	●	●
6'	●	●
6' 3"	●	●
Standard Door Heights		
6' 7-1/2"	●	●
6' 10"	●	●
7' 2"	●	●
8' 0"	●	●
10' 0"	●	●

Double-Swing Single-Swing Double Single-Swing
 Active/Passive Active/Fixed Active or Fixed



(–) = Not Available

(1) The higher the level, the greater the product's ability to resist forced entry. Valid only if Pella supplied locking system is used.



Pella® Reserve™ Traditional In-Swing Patio Door

Size and Performance Data

		Clad	Wood
Performance data 1			
Doors 8' Tall and Under	Standard Sill - Non-Impact Glazing		
	Meets or Exceeds AAMA/WDMA Ratings	LC55 Hallmark Certified	LC55 Hallmark Certified
	Air Infiltration (cfm/ft ² of frame @ 1.57 psf wind pressure)	0.10	0.10
	Water Resistance	8.36 psf	8.36 psf
	Design Pressure	55 psf	55 psf
	Low Profile Sill		
	Water Resistance	0 psf	0 psf
	Products with Impact-Resistant Glass		
	Meets or Exceeds AAMA/WDMA Ratings	LC55	LC55
	Air Infiltration (cfm/ft ² of frame @ 1.57 psf wind pressure)	0.10	0.10
	Water Resistance	8.36 psf	8.36 psf
	Design Pressure	55 psf	55 psf
Doors Over 8' Tall up to 10'	Standard Sill - Non-Impact Glazing		
	Meets or Exceeds AAMA/WDMA Ratings	LC40 Hallmark Certified	LC40 Hallmark Certified
	Air Infiltration (cfm/ft ² of frame @ 1.57 psf wind pressure)	0.10	0.10
	Water Resistance	6.0 psf	6.0 psf
	Design Pressure	40 psf	40 psf
	Low Profile Sill		
	Water Resistance	0 psf	0 psf
	Products with Impact-Resistant Glass		
	Meets or Exceeds AAMA/WDMA Ratings	LC40	LC40
	Air Infiltration (cfm/ft ² of frame @ 1.57 psf wind pressure)	0.30	0.30
	Water Resistance	6.0 psf	6.0 psf
	Design Pressure	40 psf	40 psf

Other Performance Criteria

Forced Entry Resistance Level (Minimum Security Grade)₂

40

Sound Transmission Class / Outdoor-Indoor Transmission Class

Product	Frame Size Tested ₃	Glazing System				STC Rating	OITC Rating
		Overall Glazing Thickness	Exterior Glass Thickness	Interior Glass Thickness	Third Pane Thickness		
Clad In-Swing	With Integral Grilles						
	71-1/4" x 81-1/2"	13/16"	3mm	3mm	–	32	27
	With Removable or No Grilles						
	71-1/4" x 81-1/2"	13/16"	3mm	3mm	–	31	25
	With Integral Grilles						
	71-1/4" x 81-1/2"	13/16"	3mm	5mm	–	34	29
	With Removable or No Grilles						
	71-1/4" x 81-1/2"	13/16"	3mm	5mm	–	33	28
Clad Impact-Resistant Glass	With Integral Grilles						
	71-1/4" x 81-1/2"	13/16"	4.7mm	7.6mm PVB	–	35	30
	With Removable or No Grilles						
	71-1/4" x 81-1/2"	13/16"	4.7mm	7.6mm PVB	–	34	28
	With Integral Grilles						
	71-1/4" x 81-1/2"	7/8"	8.6mm PVB	4.7mm	–	35	31
With Removable or No Grilles							
	71-1/4" x 81-1/2"	7/8"	8.6mm PVB	4.7mm	–	33	30

(–) = Not Available

(1) Maximum performance for single unit when glazed with the appropriate glass thickness. Doors supplied without latching hardware are not AAMA/WDMA performance certified. See Design Data pages in this section for specific product performance class and grade values.

(2) The higher the level, the greater the product's ability to resist forced entry. Valid only if Pella supplied locking system is used.

(3) ASTM E 1425 defines standard sizes for acoustical testing. Ratings achieved at that size are representative of all sizes of the same configuration.

NOTE: Performance with additional options may not be the same as Standard and Special size units. Please contact your local Pella representative for complete information.



Pella® Reserve™ Traditional In-Swing Patio Door

Features and Options

Standard	Options / Upgrades
Glazing	
Glazing Type	
Dual-Pane Insulating Glass	Triple-Pane Insulating Glass
Insulated Glass Options/Low-E Types	
Advanced Low-E	SunDefense™ Low-E
	AdvancedComfort Low-E
	NaturalSun Low-E
	Clear (no Low-E coating)
Additional Glass Options	
Tempered Glass	Obscure Glass ¹
	Tinted Glass (Bronze, Gray and Green)
	Impact-Resistant Laminated Glass
Gas Fill/High Altitude	
Argon	Krypton ³
	High altitude
Wood Types	
Pine	Mahogany, Douglas Fir
Exterior	
EnduraClad® protective finish	EnduraClad Plus protective finish
	Factory Primed Pine wood exterior
	Unfinished Mahogany wood exterior
Cladding Colors	
27 Standard colors ¹	Custom Colors ¹
Sill Finish²	
Black	Mill finish
	Satin nickel anodized
	Bronze anodized
Interior	
Unfinished wood	Factory primed ⁴ , Factory prefinished paint ⁴ , Factory prefinished stain
Hardware	
White, Champagne, Brown, Matte Black	PVD High Performance Finish, Bright Brass, Satin Nickel, Oil-Rubbed Bronze,
Locking System	
Multi-Point	–
Key lock	–
Grilles	
Integral Light Technology® Grilles	
–	Traditional, Prairie, Top Row, Cross, New England, Victorian, Custom
Removable pine wood interior grilles	
–	Traditional, Prairie, Top Row, Cross, New England, Victorian, Custom
Grilles-Between-the-Glass	
–	Traditional, Prairie, Top Row, Cross, Custom-Equally Divided
Screens	
–	InView™ screens

(1) Contact your local Pella sales representative for current designs and color options.

(2) ADA sill finishes available in mill or bronze anodized only.

(3) Only available with Triple-Pane Glazing, not available with high altitude Glazing.

(4) Not available on Mahogany and Douglas Fir interiors.



Pella® Reserve™ Traditional In-Swing Patio Door

Combinations

Combinations are a great way to create visual interest in any project. A combination is an assembly formed by two or more separate windows or doors whose frames are mullioned together by a combination or reinforcing mullion.

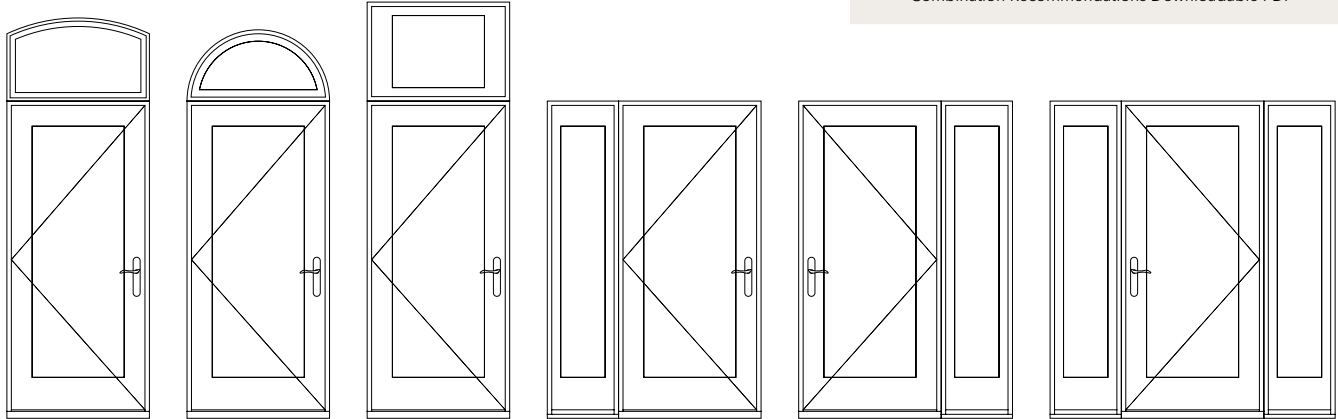
Pella door combinations are available in an endless variety of arrangements. Below are available factory-assembled combinations. Some units can be fixed or vent depending on availability. See Combinations Section for typical combinations and requirements and limitations related to mulling various combinations.

Contact your local Pella sales representative for more information.



[Click to view Clad-Wood Combinations Sections](#)

- [Combination Recommendations Downloadable PDF](#)



Arch Head over Single

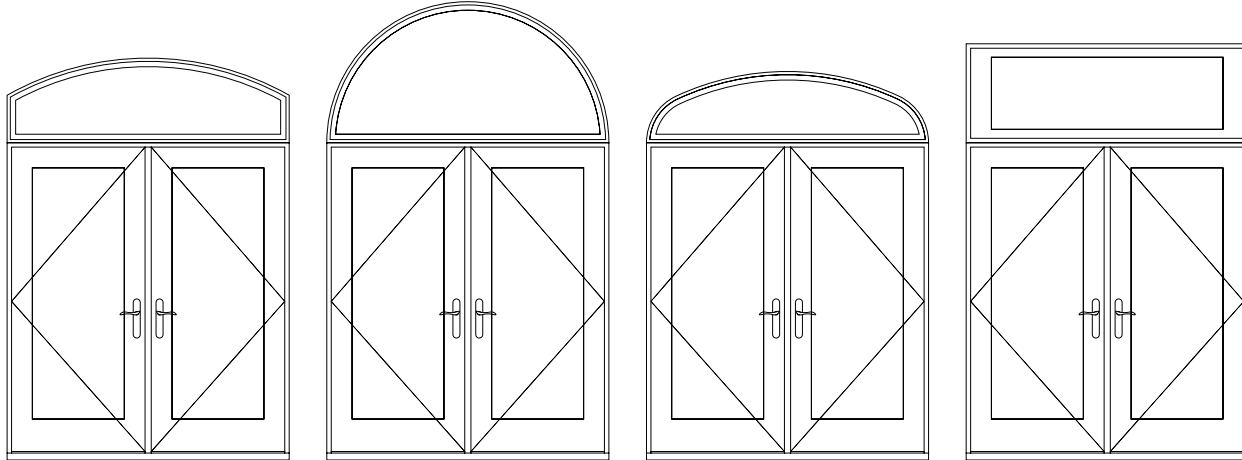
Half Circle over Single

Transom over Single¹

Single with Left Sidelight

Single with Right Sidelight

Single with Double Sidelight

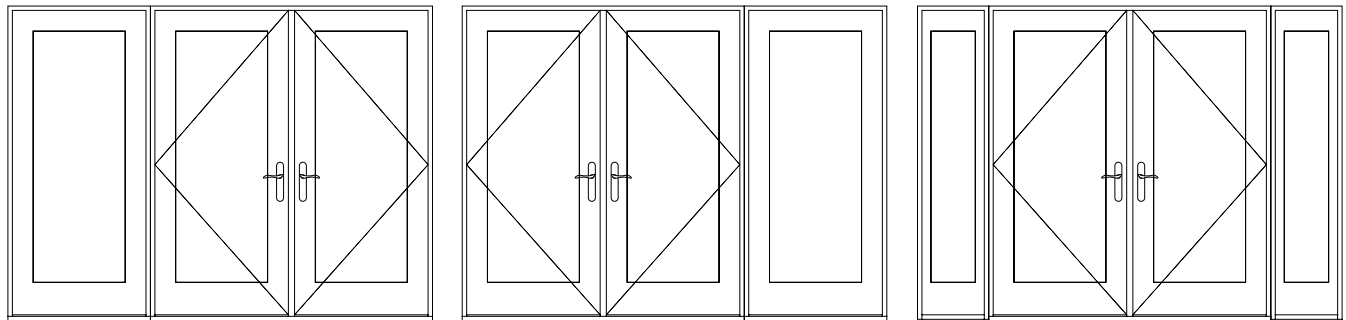


Arch Head over Double

Half Circle over Double

Elliptical over Double

Transom over Double



Double with Single Left

Double with Single Right

Double with Double Sidelights

(1) Other rectangular profiles are also available as combination options.



Pella® Reserve™ Traditional In-Swing Patio Door

Glazing Performance - Total Unit

Glazing Thickness	Type of Glazing	NFRC Certified Product #	Glass (mm)		Gap Fill	Performance Values ¹				Shaded Areas Meet ENERGY STAR® Performance Criteria in Zones Shown				
			Ext.	Int.		U-Factor	SHGC	VLT	CR	U. S.				Canada ²
										Zone				ER
Vent Dual-Pane Glazing - Aluminum-Clad Exterior										N	NC	SC	S	CA
13/16"	Clear IG	PEL-N-218-04081-00001	3	3	Air	0.40	0.45	0.46	46					
	with grilles-between-the-glass	PEL-N-218-04082-00001				0.40	0.39	0.39	46					
	with integral grilles	PEL-N-218-04083-00001				0.40	0.39	0.39	46					
13/16"	Advanced Low-E IG	PEL-N-218-04197-00001	3	3	Argon	0.28	0.22	0.39	62	N	NC	SC	S	
	with grilles-between-the-glass	PEL-N-218-04198-00001				0.28	0.19	0.33	62	N	NC	SC	S	
	with integral grilles	PEL-N-218-04199-00001				0.29	0.19	0.33	62	N	NC	SC	S	
13/16"	SunDefense™ Low-E IG	PEL-N-218-04101-00001	3	3	Argon	0.28	0.16	0.36	62	N	NC	SC	S	
	with grilles-between-the-glass	PEL-N-218-04102-00001				0.28	0.14	0.31	62	N	NC	SC	S	
	with integral grilles	PEL-N-218-04103-00001				0.28	0.14	0.31	62	N	NC	SC	S	
13/16"	AdvancedComfort Low-E IG	PEL-N-218-04133-00001	3	3	Argon	0.25	0.21	0.38	49	N	NC	SC	S	
	with grilles-between-the-glass	PEL-N-218-04134-00001				0.25	0.19	0.33	49	N	NC	SC	S	
	with integral grilles	PEL-N-218-04135-00001				0.26	0.19	0.33	49	N	NC	SC	S	
13/16"	NaturalSun Low-E IG	PEL-N-218-04165-00001	3	3	Argon	0.29	0.40	0.44	61	N	NC			
	with grilles-between-the-glass	PEL-N-218-04166-00001				0.29	0.34	0.38	61	N	NC			
	with integral grilles	PEL-N-218-04167-00001				0.29	0.34	0.38	61	N	NC			
Tinted Glazing														
13/16"	Bronze Advanced Low-E IG	PEL-N-218-04229-00001	5	3	Argon	0.28	0.19	0.25	61	N	NC	SC	S	
	with grilles-between-the-glass	PEL-N-218-04230-00001				0.28	0.17	0.22	61	N	NC	SC	S	
	with integral grilles	PEL-N-218-04231-00001				0.29	0.17	0.22	61	N	NC	SC	S	
13/16"	Gray Advanced Low-E IG	PEL-N-218-04245-00001	5	3	Argon	0.28	0.18	0.22	61	N	NC	SC	S	
	with grilles-between-the-glass	PEL-N-218-04246-00001				0.28	0.16	0.19	61	N	NC	SC	S	
	with integral grilles	PEL-N-218-04247-00001				0.29	0.16	0.19	61	N	NC	SC	S	
13/16"	Green Advanced Low-E IG	PEL-N-218-04261-00001	5	3	Argon	0.28	0.22	0.35	61	N	NC	SC	S	
	with grilles-between-the-glass	PEL-N-218-04262-00001				0.28	0.19	0.29	61	N	NC	SC	S	
	with integral grilles	PEL-N-218-04263-00001				0.29	0.19	0.29	61	N	NC	SC	S	
High Altitude Glazing														
13/16"	Advanced Low-E IG	PEL-N-218-04193-00001	3	3	Air	0.30	0.22	0.39	58	N	NC	SC	S	
	with grilles-between-the-glass	PEL-N-218-04194-00001				0.30	0.19	0.33	58	N	NC	SC	S	
	with integral grilles	PEL-N-218-04195-00001				0.31	0.19	0.33	58					
13/16"	SunDefense Low-E IG	PEL-N-218-04097-00001	3	3	Air	0.30	0.17	0.36	59	N	NC	SC	S	
	with grilles-between-the-glass	PEL-N-218-04098-00001				0.30	0.15	0.31	59	N	NC	SC	S	
	with integral grilles	PEL-N-218-04099-00001				0.31	0.15	0.31	59					
13/16"	AdvancedComfort Low-E IG	PEL-N-218-04129-00001	3	3	Air	0.26	0.21	0.38	45	N	NC	SC	S	
	with grilles-between-the-glass	PEL-N-218-04130-00001				0.26	0.19	0.33	45	N	NC	SC	S	
	with integral grilles	PEL-N-218-04131-00001				0.27	0.19	0.33	45	N	NC	SC	S	
13/16"	NaturalSun Low-E IG	PEL-N-218-04161-00001	3	3	Air	0.31	0.39	0.44	58					
	with grilles-between-the-glass	PEL-N-218-04162-00001				0.31	0.34	0.38	58					
	with integral grilles	PEL-N-218-04163-00001				0.32	0.34	0.38	58					

R-Value = 1/U-Factor
 SHGC = Solar Heat Gain Coefficient
 VLT % = Visible Light Transmission
 CR = Condensation Resistance
 ER = Canadian Energy Rating

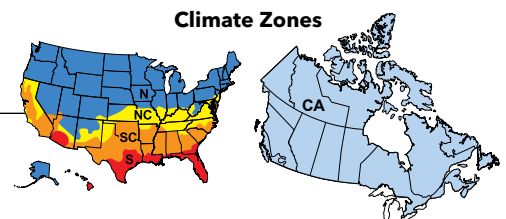
(1) Glazing performance values are calculated for Pine using NFRC 100, NFRC 200 and NFRC 500. Thermal performance of other wood species may vary. ENERGY STAR® values are updated to 2016 (Version 6) criteria.

(2) The values shown are based on Canada's updated ENERGY STAR® 2020 initiative.

U-Factor values shown are based on a standard sill and pine interior.

For center-glass values, see the Product Performance section.

See the Product Performance section for more detailed information or visit www.energystar.gov for Energy Star guidelines.





Pella® Reserve™ Traditional In-Swing Patio Door

Glazing Performance - Total Unit

Glazing Thickness	Type of Glazing	NFRC Certified Product #	Glass (mm)			Gap Fill	Performance Values ¹				Shaded Areas Meet ENERGY STAR® Performance Criteria in Zones Shown					
			Ext.	Mid.	Int.		U-Factor	SHGC	VLT	CR	U. S.				Canada ²	
											Zone				ER	Zone
Vent Triple-Pane Glazing - Aluminum-Clad Exterior											N	NC	SC	S		
1"	Advanced Low-E IG	PEL-N-218-04445-00001	3	3	3	Argon	0.23	0.20	0.35	69	N	NC	SC	S		
	with grilles-between-the-glass	PEL-N-218-04446-00001					0.23	0.17	0.29	69	N	NC	SC	S		
	with integral grilles	PEL-N-218-04447-00001					0.23	0.17	0.29	69	N	NC	SC	S		
1"	Advanced Low-E IG	PEL-N-218-04453-00001	3	3	3	Krypton	0.20	0.20	0.35	69	N	NC	SC	S	26	CA
	with grilles-between-the-glass	PEL-N-218-04454-00001					0.21	0.17	0.29	69	N	NC	SC	S	23	CA
	with integral grilles	PEL-N-218-04455-00001					0.21	0.17	0.29	69	N	NC	SC	S	23	CA
1"	SunDefense™ Low-E IG	PEL-N-218-04469-00001	3	3	3	Argon	0.23	0.15	0.32	69	N	NC	SC	S		
	with grilles-between-the-glass	PEL-N-218-04470-00001					0.23	0.13	0.27	69	N	NC	SC	S		
	with integral grilles	PEL-N-218-04471-00001					0.23	0.13	0.27	69	N	NC	SC	S		
1"	SunDefense™ Low-E IG	PEL-N-218-04477-00001	3	3	3	Krypton	0.20	0.15	0.32	69	N	NC	SC	S	23	CA
	with grilles-between-the-glass	PEL-N-218-04478-00001					0.21	0.13	0.27	69	N	NC	SC	S	21	CA
	with integral grilles	PEL-N-218-04479-00001					0.21	0.13	0.27	69	N	NC	SC	S	21	CA
1"	NaturalSun Low-E IG	PEL-N-218-04421-00001	3	3	3	Argon	0.23	0.32	0.39	69	N	NC				
	with grilles-between-the-glass	PEL-N-218-04422-00001					0.24	0.28	0.33	69	N	NC				
	with integral grilles	PEL-N-218-04423-00001					0.24	0.28	0.33	69	N	NC				
1"	NaturalSun Low-E IG	PEL-N-218-04429-00001	3	3	3	Krypton	0.21	0.33	0.39	69	N	NC			32	CA
	with grilles-between-the-glass	PEL-N-218-04430-00001					0.21	0.28	0.33	69	N	NC			29	CA
	with integral grilles	PEL-N-218-04431-00001					0.21	0.28	0.33	69	N	NC			29	CA
High Altitude Glazing																
1"	Advanced Low-E IG	PEL-N-218-04449-00001	3	3	3	Air	0.26	0.20	0.35	67	N	NC	SC	S		
	with grilles-between-the-glass	PEL-N-218-04450-00001					0.26	0.17	0.29	67	N	NC	SC	S		
	with integral grilles	PEL-N-218-04451-00001					0.26	0.17	0.29	67	N	NC	SC	S		
1"	SunDefense Low-E IG	PEL-N-218-04473-00001	3	3	3	Air	0.25	0.15	0.32	67	N	NC	SC	S		
	with grilles-between-the-glass	PEL-N-218-04474-00001					0.26	0.13	0.27	67	N	NC	SC	S		
	with integral grilles	PEL-N-218-04475-00001					0.26	0.13	0.27	67	N	NC	SC	S		
1"	NaturalSun Low-E IG	PEL-N-218-04425-00001	3	3	3	Air	0.26	0.32	0.39	67	N	NC				
	with grilles-between-the-glass	PEL-N-218-04426-00001					0.26	0.28	0.33	67	N	NC				
	with integral grilles	PEL-N-218-04427-00001					0.26	0.28	0.33	67	N	NC				

R-Value = 1/U-Factor
 SHGC = Solar Heat Gain Coefficient
 VLT % = Visible Light Transmission
 CR = Condensation Resistance
 ER = Canadian Energy Rating

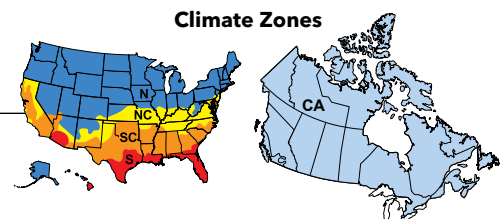
(1) Glazing performance values are calculated for Pine using NFRC 100, NFRC 200 and NFRC 500. Thermal performance of other wood species may vary. ENERGY STAR® values are updated to 2016 (Version 6) criteria.

(2) The values shown are based on Canada's updated ENERGY STAR® 2020 initiative.

U-Factor values shown are based on a standard sill and pine interior.

For center-glass values, see the Product Performance section.

See the Product Performance section for more detailed information or visit www.energystar.gov for Energy Star guidelines.





Pella® Reserve™ Traditional In-Swing Patio Door

Glazing Performance - Total Unit

Glazing Thickness	Type of Glazing	NFRC Certified Product #	Glass (mm)		Gap Fill	Performance Values ¹				Shaded Areas Meet ENERGY STAR® Performance Criteria in Zones Shown					
			Ext.	Int.		U-Factor	SHGC	VLT	CR	U. S.		Canada ²			
										Zone		ER	Zone		
Vent Dual-Pane Glazing - Wood Exterior										N	NC	SC	S		CA
13/16"	Clear IG	PEL-N-215-02745-00001	3	3	Air	0.40	0.44	0.46	46						
	with grilles-between-the-glass	PEL-N-215-02746-00001				0.40	0.38	0.39	46						
	with integral grilles	PEL-N-215-02747-00001				0.41	0.38	0.39	46						
13/16"	Advanced Low-E IG	PEL-N-215-02845-00001	3	3	Argon	0.28	0.21	0.39	62	N	NC	SC	S		
	with grilles-between-the-glass	PEL-N-215-02846-00001				0.28	0.18	0.33	62	N	NC	SC	S		
	with integral grilles	PEL-N-215-02847-00001				0.29	0.18	0.33	62	N	NC	SC	S		
13/16"	SunDefense™ Low-E IG	PEL-N-215-02765-00001	3	3	Argon	0.28	0.16	0.36	63	N	NC	SC	S		
	with grilles-between-the-glass	PEL-N-215-02766-00001				0.28	0.14	0.31	63	N	NC	SC	S		
	with integral grilles	PEL-N-215-02767-00001				0.28	0.14	0.31	63	N	NC	SC	S		
13/16"	AdvancedComfort Low-E IG	PEL-N-215-02797-00001	3	3	Argon	0.25	0.21	0.38	49	N	NC	SC	S		
	with grilles-between-the-glass	PEL-N-215-02798-00001				0.25	0.18	0.33	49	N	NC	SC	S		
	with integral grilles	PEL-N-215-02799-00001				0.26	0.18	0.33	49	N	NC	SC	S		
13/16"	NaturalSun Low-E IG	PEL-N-215-02813-00001	3	3	Argon	0.29	0.39	0.44	62	N	NC				
	with grilles-between-the-glass	PEL-N-215-02814-00001				0.29	0.34	0.38	62	N	NC				
	with integral grilles	PEL-N-215-02815-00001				0.30	0.34	0.38	62	N	NC				
Tinted Glazing															
13/16"	Bronze Advanced Low-E IG	PEL-N-215-02877-00001	5	3	Argon	0.28	0.19	0.25	63	N	NC	SC	S		
	with grilles-between-the-glass	PEL-N-215-02878-00001				0.28	0.16	0.22	63	N	NC	SC	S		
	with integral grilles	PEL-N-215-02879-00001				0.29	0.16	0.22	63	N	NC	SC	S		
13/16"	Gray Advanced Low-E IG	PEL-N-215-02893-00001	5	3	Argon	0.28	0.17	0.22	63	N	NC	SC	S		
	with grilles-between-the-glass	PEL-N-215-02894-00001				0.28	0.15	0.19	63	N	NC	SC	S		
	with integral grilles	PEL-N-215-02895-00001				0.29	0.15	0.19	63	N	NC	SC	S		
13/16"	Green Advanced Low-E IG	PEL-N-215-02909-00001	5	3	Argon	0.28	0.21	0.35	63	N	NC	SC	S		
	with grilles-between-the-glass	PEL-N-215-02910-00001				0.28	0.18	0.29	63	N	NC	SC	S		
	with integral grilles	PEL-N-215-02911-00001				0.29	0.18	0.29	63	N	NC	SC	S		
High Altitude Glazing															
13/16"	Advanced Low-E IG	PEL-N-215-02841-00001	3	3	Air	0.30	0.21	0.39	59	N	NC	SC	S		
	with grilles-between-the-glass	PEL-N-215-02842-00001				0.30	0.19	0.33	59	N	NC	SC	S		
	with integral grilles	PEL-N-215-02843-00001				0.31	0.19	0.33	59						
13/16"	SunDefense Low-E IG	PEL-N-215-02761-00001	3	3	Air	0.30	0.16	0.36	59	N	NC	SC	S		
	with grilles-between-the-glass	PEL-N-215-02762-00001				0.30	0.14	0.31	59	N	NC	SC	S		
	with integral grilles	PEL-N-215-02763-00001				0.31	0.14	0.31	59						
13/16"	AdvancedComfort Low-E IG	PEL-N-215-02793-00001	3	3	Air	0.26	0.21	0.38	46	N	NC	SC	S		
	with grilles-between-the-glass	PEL-N-215-02794-00001				0.26	0.18	0.33	46	N	NC	SC	S		
	with integral grilles	PEL-N-215-02795-00001				0.27	0.18	0.33	46	N	NC	SC	S		
13/16"	NaturalSun Low-E IG	PEL-N-215-02809-00001	3	3	Air	0.31	0.39	0.44	58						
	with grilles-between-the-glass	PEL-N-215-02810-00001				0.31	0.34	0.38	58						
	with integral grilles	PEL-N-215-02811-00001				0.32	0.34	0.38	58						

R-Value = 1/U-Factor
 SHGC = Solar Heat Gain Coefficient
 VLT % = Visible Light Transmission
 CR = Condensation Resistance
 ER = Canadian Energy Rating

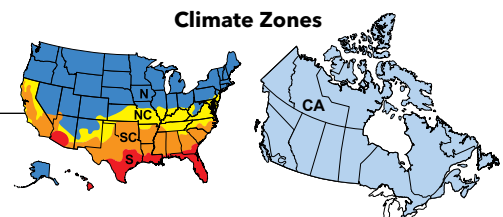
(1) Glazing performance values are calculated for Pine using NFRC 100, NFRC 200 and NFRC 500. Thermal performance of other wood species may vary. ENERGY STAR® values are updated to 2016 (Version 6) criteria.

(2) The values shown are based on Canada's updated ENERGY STAR® 2020 initiative.

U-Factor values shown are based on a standard sill and pine interior.

For center-glass values, see the Product Performance section.

See the Product Performance section for more detailed information or visit www.energystar.gov for Energy Star guidelines.





Pella® Reserve™ Traditional In-Swing Patio Door

Glazing Performance - Total Unit

Glazing Thickness	Type of Glazing	NFRC Certified Product #	Glass (mm)			Gap Fill	Performance Values ¹				Shaded Areas Meet ENERGY STAR® Performance Criteria in Zones Shown						
			Ext.	Mid.	Int.		U-Factor	SHGC	VLT	CR	U. S.				Canada ²		
											Zone				ER	Zone	
Vent Triple-Pane Glazing - Wood Exterior											N	NC	SC	S			
1"	Advanced Low-E IG	PEL-N-215-03081-00001	3	3	3	Argon	0.23	0.19	0.35	69	N	NC	SC	S			
	with grilles-between-the-glass	PEL-N-215-03082-00001					0.23	0.17	0.29	69	N	NC	SC	S			
	with integral grilles	PEL-N-215-03083-00001					0.23	0.17	0.29	69	N	NC	SC	S			
1"	Advanced Low-E IG	PEL-N-215-03089-00001	3	3	3	Krypton	0.20	0.19	0.35	69	N	NC	SC	S	25	CA	
	with grilles-between-the-glass	PEL-N-215-03090-00001					0.21	0.17	0.29	69	N	NC	SC	S	22	CA	
	with integral grilles	PEL-N-215-03091-00001					0.20	0.17	0.29	69	N	NC	SC	S	23	CA	
1"	SunDefense™ Low-E IG	PEL-N-215-03105-00001	3	3	3	Argon	0.23	0.15	0.32	69	N	NC	SC	S			
	with grilles-between-the-glass	PEL-N-215-03106-00001					0.23	0.13	0.27	69	N	NC	SC	S			
	with integral grilles	PEL-N-215-03107-00001					0.23	0.13	0.27	69	N	NC	SC	S			
1"	SunDefense™ Low-E IG	PEL-N-215-03113-00001	3	3	3	Krypton	0.20	0.14	0.32	69	N	NC	SC	S	22	CA	
	with grilles-between-the-glass	PEL-N-215-03114-00001					0.20	0.13	0.27	69	N	NC	SC	S	21	CA	
	with integral grilles	PEL-N-215-03115-00001					0.20	0.13	0.27	69	N	NC	SC	S	21	CA	
1"	NaturalSun Low-E IG	PEL-N-215-03057-00001	3	3	3	Argon	0.23	0.32	0.39	69	N	NC					
	with grilles-between-the-glass	PEL-N-215-03058-00001					0.23	0.28	0.33	69	N	NC					
	with integral grilles	PEL-N-215-03059-00001					0.23	0.28	0.33	69	N	NC					
1"	NaturalSun Low-E IG	PEL-N-215-03065-00001	3	3	3	Krypton	0.21	0.32	0.39	69	N	NC			31	CA	
	with grilles-between-the-glass	PEL-N-215-03066-00001					0.21	0.28	0.33	69	N	NC			29	CA	
	with integral grilles	PEL-N-215-03067-00001					0.21	0.28	0.33	69	N	NC			29	CA	
High Altitude Glazing																	
1"	Advanced Low-E IG	PEL-N-215-03085-00001	3	3	3	Air	0.26	0.20	0.35	68	N	NC	SC	S			
	with grilles-between-the-glass	PEL-N-215-03086-00001					0.26	0.17	0.29	68	N	NC	SC	S			
	with integral grilles	PEL-N-215-03087-00001					0.26	0.17	0.29	68	N	NC	SC	S			
1"	SunDefense Low-E IG	PEL-N-215-03109-00001	3	3	3	Air	0.25	0.15	0.32	68	N	NC	SC	S			
	with grilles-between-the-glass	PEL-N-215-03110-00001					0.26	0.13	0.27	68	N	NC	SC	S			
	with integral grilles	PEL-N-215-03111-00001					0.25	0.13	0.27	68	N	NC	SC	S			
1"	NaturalSun Low-E IG	PEL-N-215-03061-00001	3	3	3	Air	0.26	0.32	0.39	67	N	NC					
	with grilles-between-the-glass	PEL-N-215-03062-00001					0.26	0.28	0.33	67	N	NC					
	with integral grilles	PEL-N-215-03063-00001					0.26	0.28	0.33	67	N	NC					

R-Value = 1/U-Factor
 SHGC = Solar Heat Gain Coefficient
 VLT % = Visible Light Transmission
 CR = Condensation Resistance
 ER = Canadian Energy Rating

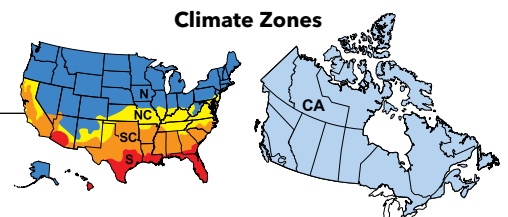
(1) Glazing performance values are calculated for Pine using NFRC 100, NFRC 200 and NFRC 500. Thermal performance of other wood species may vary. ENERGY STAR® values are updated to 2016 (Version 6) criteria.

(2) The values shown are based on Canada's updated ENERGY STAR® 2020 initiative.

U-Factor values shown are based on a standard sill and pine interior.

For center-glass values, see the Product Performance section.

See the Product Performance section for more detailed information or visit www.energystar.gov for Energy Star guidelines.





Pella® Reserve™ Traditional In-Swing Patio Door

Glazing Performance - Total Unit

Glazing Thickness	Type of Glazing	NFRC Certified Product #	Glass (mm)		Gap Fill	Performance Values ¹				Shaded Areas Meet ENERGY STAR® Performance Criteria in Zones Shown					
			Ext.	Int.		U-Factor	SHGC	VLT	CR	U. S.				Canada ²	
										Zone				ER	Zone
										N	NC	SC	S	CA	
Vent - Laminated Impact-Resistant Glass															
13/16"	Clear IG	PEL-N-218-04365-00001	8	5	Air	0.41	0.39	0.44	44						
	with grilles-between-the-glass	PEL-N-218-04366-00001				0.42	0.34	0.38	44						
	with integral grilles	PEL-N-218-04367-00001				0.42	0.34	0.38	44						
13/16"	Advanced Low-E IG	PEL-N-218-04273-00001	8	5	Argon	0.29	0.22	0.38	59	N	NC	SC	S		
	with grilles-between-the-glass	PEL-N-218-04274-00001				0.31	0.19	0.33	59						
	with integral grilles	PEL-N-218-04275-00001				0.31	0.19	0.33	59						
13/16"	SunDefense™ Low-E IG	PEL-N-218-04317-00001	8	5	Argon	0.29	0.17	0.35	59	N	NC	SC	S		
	with grilles-between-the-glass	PEL-N-218-04318-00001				0.31	0.15	0.30	59						
	with integral grilles	PEL-N-218-04319-00001				0.30	0.15	0.30	59	N	NC	SC	S		
Tinted Laminated Impact-Resistant Glass															
13/16"	Bronze Advanced Low-E IG	PEL-N-218-04501-00001	8	5	Argon	0.41	0.32	0.32	44						
	with grilles-between-the-glass	PEL-N-218-04502-00001				0.42	0.28	0.27	44						
	with integral grilles	PEL-N-218-04503-00001				0.42	0.28	0.27	44						
13/16"	Gray Advanced Low-E IG	PEL-N-218-04509-00001	8	5	Argon	0.41	0.31	0.30	44						
	with grilles-between-the-glass	PEL-N-218-04510-00001				0.42	0.27	0.25	44						
	with integral grilles	PEL-N-218-04511-00001				0.42	0.27	0.25	44						
13/16"	Green Advanced Low-E IG	PEL-N-218-04517-00001	8	5	Argon	0.41	0.31	0.40	44						
	with grilles-between-the-glass	PEL-N-218-04518-00001				0.42	0.27	0.34	44						
	with integral grilles	PEL-N-218-04519-00001				0.42	0.27	0.34	44						

R-Value = 1/U-Factor
 SHGC = Solar Heat Gain Coefficient
 VLT % = Visible Light Transmission
 CR = Condensation Resistance
 ER = Canadian Energy Rating

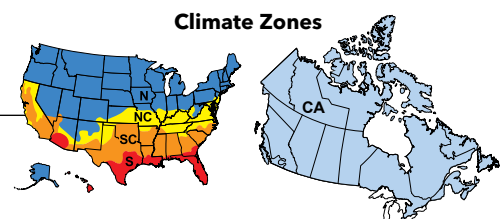
(1) Glazing performance values are calculated for Pine using NFRC 100, NFRC 200 and NFRC 500. Thermal performance of other wood species may vary. ENERGY STAR® values are updated to 2016 (Version 6) criteria.

(2) The values shown are based on Canada's updated ENERGY STAR® 2020 initiative.

U-Factor values shown are based on a standard sill and pine interior.

For center-glass values, see the Product Performance section.

See the Product Performance section for more detailed information or visit www.energystar.gov for Energy Star guidelines.



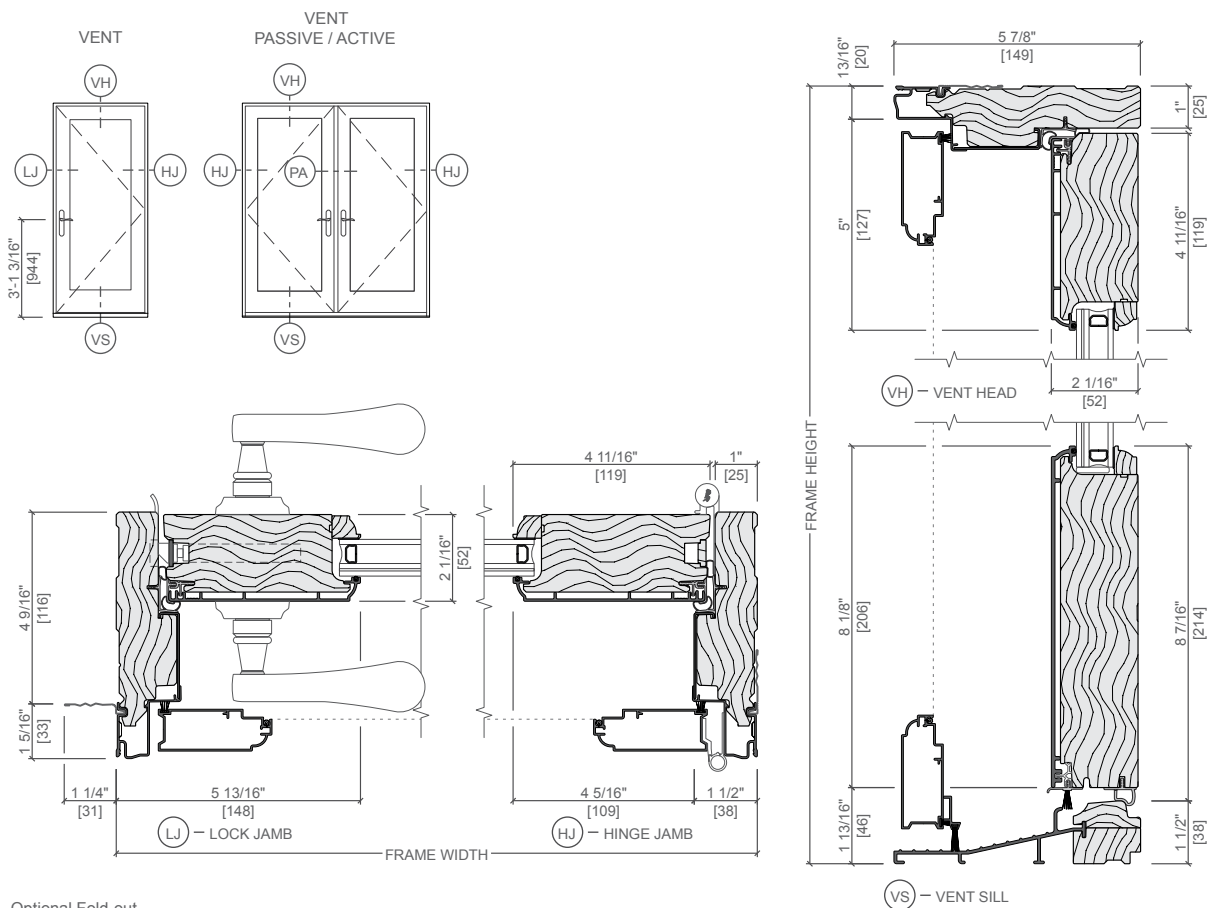


Pella® Reserve™ Traditional In-Swing Patio Door

Impact-Resistant Glass

For a complete list of ratings, refer to the Impact-Resistant product section.

	Clad
	7/8" Insulated Glass PVB
Maximum Performance Grade 1	
Vent units 6' 10" tall and under	+55 / -70
Vent units 8' 0" tall and under	+55 / -70
Vent units over 8' 0" tall up to 10' 0" tall	+40 / -50
Fixed units 6' 10" tall and under	+55 / -70
Fixed units 8' 0" tall and under	+55 / -70
Fixed units over 8' 0" tall up to 10' 0" tall	+40 / -50
Certification	
Miami-Dade County	-
Hallmark	411-H-1164
FPAS	FL14293
TDI	DR-635



Optional Fold-out Installation Fin

For additional product information, visit PELLA.com

[Impact-Resistant Downloadable PDF](#)

(-) = Not applicable.

(1) Units are tested for air/water/structural and impact-resistance, and certified for wind zone 4, large missile rating D.

For clear opening, vent area, visible glass, and frame area, see clad Design Data pages.

To convert areas to square meters (m2), multiply square feet by 0.0929.

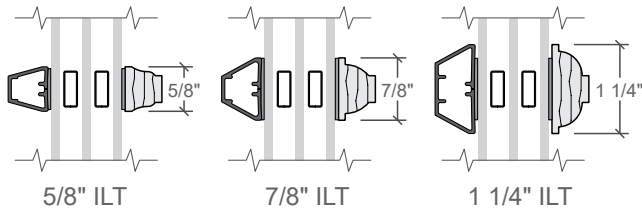
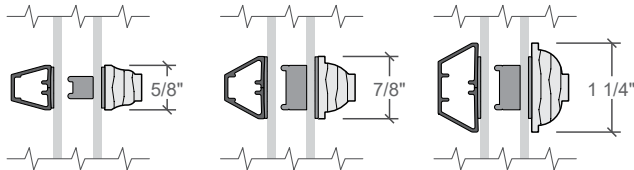
Doors with low profile sills, curved glass in rectangular panel, custom stiles and rails, and no-lock no-bore hardware options are not certified to above standards.



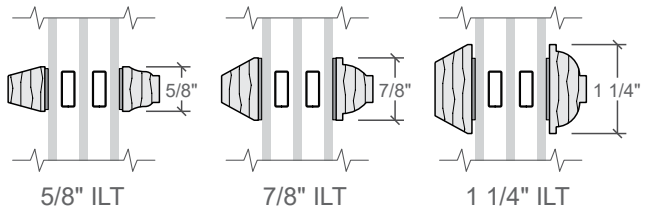
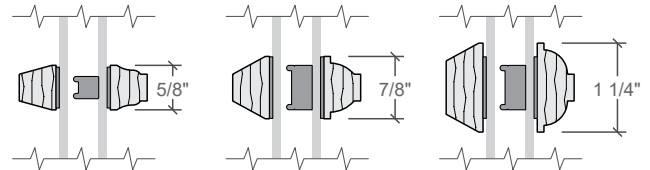
Integral Light Technology® Grilles

Integral Light Technology®

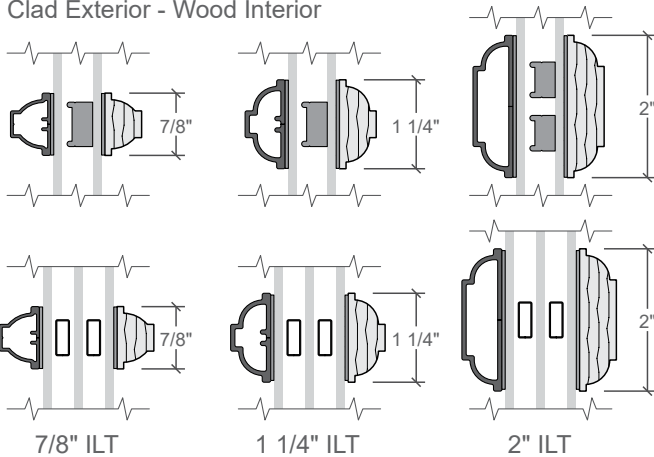
Putty and Ogee Glaze Grilles
Clad Exterior - Wood Interior



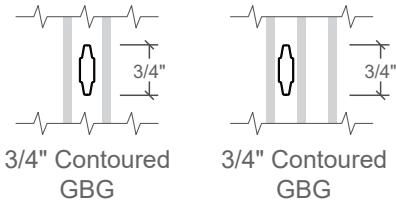
Putty and Ogee Glaze Grilles
Wood Exterior - Wood Interior



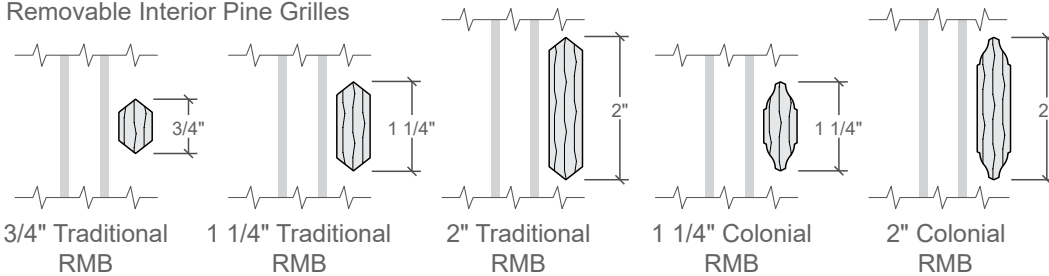
Ogee Glaze Grilles
Clad Exterior - Wood Interior



Contoured Aluminum -
Grilles-Between-the-Glass



Removable Interior Pine Grilles



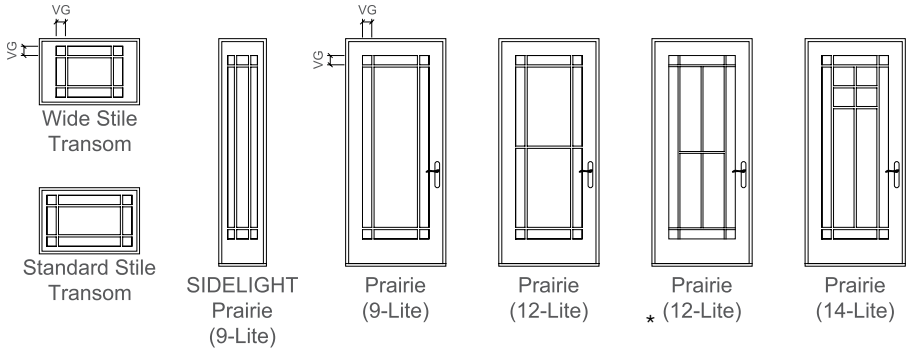
Interior wood Integral Light Technology grilles available in Pine, Mahogany or Douglas Fir to match complete unit.



Grille Patterns

Integral Light Technology® Grilles and Roomside Removable Grilles

Prairie Lite Patterns



All sidelights and transoms will have 9 lights.
Standard corner lite dimension for Prairie patterns = 3-1/2" VG.

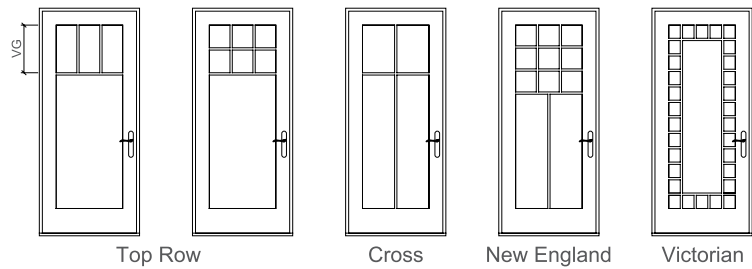
Integral Light Technology Grilles

- 9-Lite available in all standard and special sizes.
- 12-Lite available at 8' height; other heights available per custom drawing.
- 14-Lite available in units > 2' 1-1/2" width.

Removable Grilles

- 9-Lite available in units < 7' 0-1/2" height.
- * Prairie in heights > 7' 0-1/4" will have 12 Lites.

Other Available Patterns



Top Row

- Standard visible glass to separator bar = 14" or half of total visible glass height, whichever is smaller.

Cross

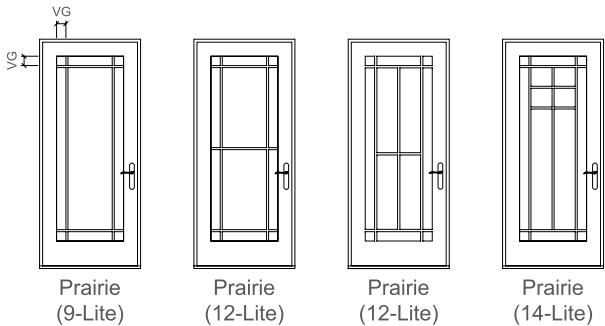
- Standard visible glass to separator bar = one-quarter of total visible glass height.

New England

- Standard visible glass to separator bar = half of total visible glass height.

Grilles-Between-the-Glass

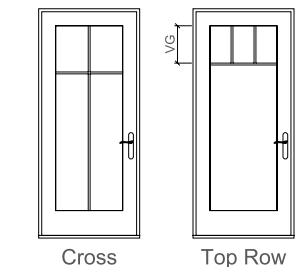
Prairie Lite Patterns



Prairie

- Standard corner lite dimension = 3-1/2" VG.
- 9-Lite available in units < 7' 0-3/4" height.
- * Prairie in heights > 7' 0-1/2" will have 12 lites.
- 12-Lite available in units ≤ 7' 2" height.

Other Available Patterns



Cross

- Horizontal bar is 1/4 of visible glass from the top in door panels.
- Not available in transoms.

Top Row

- Horizontal bar may be ordered 12", 14" or 16" from the top VG.
- Transoms with frame heights ≥ 21", the horizontal bar will be positioned at 1/2 the visible glass height.
- Top Row not available in transoms with frame height < 21".

For traditional patterns, see size tables.

VG = Visible Glass

Lite dimensions noted can vary.

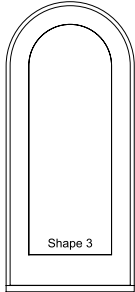
Custom configurations are available; for details contact your local Pella sales representative.



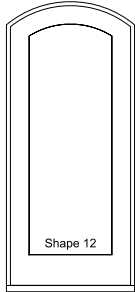
Pella® Reserve™ Traditional In-Swing Patio Door

Custom Shapes

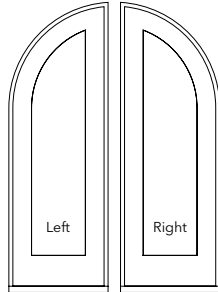
Pella Reserve In-Swing French doors are available in the additional shapes shown below, as well as custom shapes. For specifications, size limitations, and details on these units, contact your local Pella sales representative.



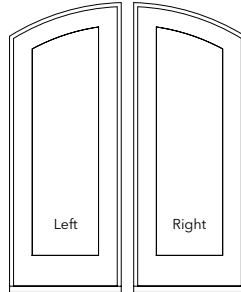
Full Springline



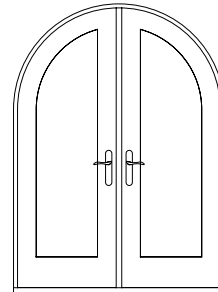
Full Arch Head



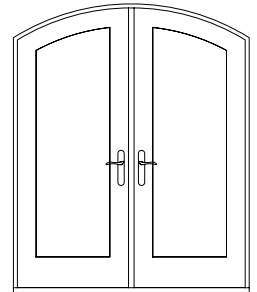
Partial Springline



Partial Arch Head



Shape 3 Full Springline



Shape 12 Full Arch Head










Pella® Reserve™ Traditional In-Swing Patio Door

Size Tables

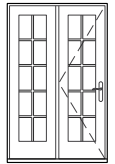
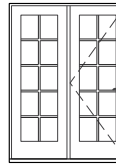
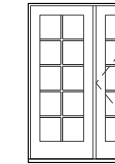
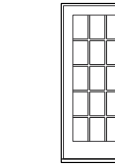
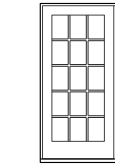
6' 7" Single Doors and Sidelight

	(476) (457)	(664) (645)	(781) (762)	(870) (851)	(933) (914)	(981) (962)
Opening	1' 6 3/4"	2' 2 1/8"	2' 6 3/4"	2' 10 1/4"	3' 0 3/4"	3' 2 5/8"
Frame	1' 6"	2' 1 3/8"	2' 6"	2' 9 1/2"	3' 0"	3' 1 7/8"

(2 032) (2 019)	6' 8"	6' 7 1/2"							
			SIDELIGHT 1880	LEFT 2680	LEFT 3080	LEFT 3480	LEFT 3680	LEFT 3880	

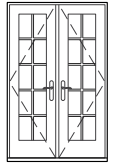
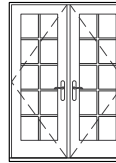
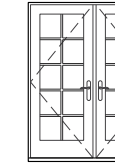
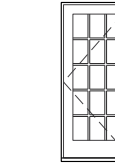
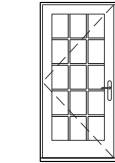
6' 7" Double Doors Fixed-Active

	(1 289) (1 270)	(1 524) (1 505)	(1 702) (1 682)	(1 829) (1 810)	(1 924) (1 905)
Opening	4' 2 3/4"	5' 0"	5' 7"	6' 0"	6' 3 3/4"
Frame	4' 2"	4' 11 1/4"	5' 6 1/4"	5' 11 1/4"	6' 3"

(2 032) (2 019)	6' 8"	6' 7 1/2"					
			FIXED-ACTIVE 5080	FIXED-ACTIVE 6080	FIXED-ACTIVE 6780	FIXED-ACTIVE 7280	FIXED-ACTIVE 7580

6' 7" Double Doors Active-Passive

	(1 289) (1 270)	(1 524) (1 505)	(1 702) (1 682)	(1 829) (1 810)	(1 924) (1 905)
Opening	4' 2 3/4"	5' 0"	5' 7"	6' 0"	6' 3 3/4"
Frame	4' 2"	4' 11 1/4"	5' 6 1/4"	5' 11 1/4"	6' 3"

(2 032) (2 019)	6' 8"	6' 7 1/2"					
			ACTIVE-PASSIVE 5080	ACTIVE-PASSIVE 6080	ACTIVE-PASSIVE 6780	ACTIVE-PASSIVE 7280	ACTIVE-PASSIVE 7580

Not to scale.

Traditional grille patterns shown. Refer to Clad/Wood Overview section for additional patterns and profiles.

All doors and sidelights are glazed with tempered glass.

Left-hand single doors shown, right-hand and fixed also available.

For Wood Units Only:

To determine masonry dimensions when using Pella 1-7/8" brickmould, add 1-5/8" to frame height and 3-1/8" to frame width. When using Pella 3-1/2" brickmould, add 6-3/8" to frame width and 3-1/4" to frame height.

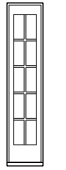
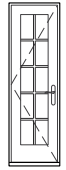
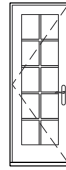
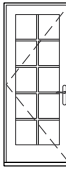
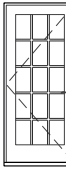
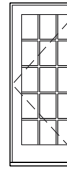


Pella® Reserve™ Traditional In-Swing Patio Door

Size Tables

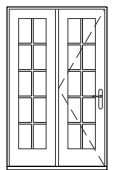
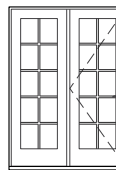
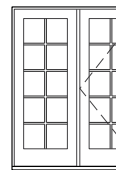
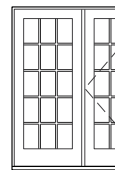
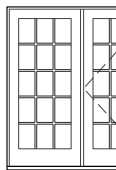
6' 10" Single Doors and Sidelight

	(476) (457)	(664) (645)	(781) (762)	(870) (851)	(933) (914)	(981) (962)
Opening	1' 6 3/4"	2' 2 1/8"	2' 6 3/4"	2' 10 1/4"	3' 0 3/4"	3' 2 5/8"
Frame	1' 6"	2' 1 3/8"	2' 6"	2' 9 1/2"	3' 0"	3' 1 7/8"

(2,083) (2,070)	6' 10"						
	6' 9 1/2"	SIDELIGHT 1882	LEFT 2682	LEFT 3082	LEFT 3482	LEFT 3682	LEFT 3882

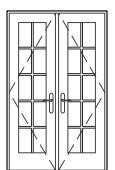
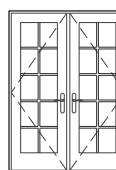
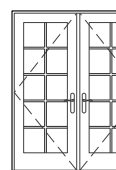
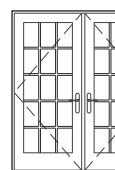
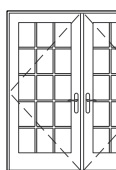
6' 10" Double-Swing Doors Fixed-Active

	(1,289) (1,270)	(1,524) (1,505)	(1,702) (1,682)	(1,829) (1,810)	(1,924) (1,905)
Opening	4' 2 3/4"	5' 0"	5' 7"	6' 0"	6' 3 3/4"
Frame	4' 2"	4' 11 1/4"	5' 6 1/4"	5' 11 1/4"	6' 3"

(2,083) (2,070)	6' 10"					
	6' 9 1/2"	FIXED-ACTIVE 5082	FIXED-ACTIVE 6082	FIXED-ACTIVE 6782	FIXED-ACTIVE 7282	FIXED-ACTIVE 7582

6' 10" Double Doors Active-Passive

	(1,289) (1,270)	(1,524) (1,505)	(1,702) (1,682)	(1,829) (1,810)	(1,924) (1,905)
Opening	4' 2 3/4"	5' 0"	5' 7"	6' 0"	6' 3 3/4"
Frame	4' 2"	4' 11 1/4"	5' 6 1/4"	5' 11 1/4"	6' 3"

(2,083) (2,070)	6' 10"					
	6' 9 1/2"	ACTIVE-PASSIVE 5082	ACTIVE-PASSIVE 6082	ACTIVE-PASSIVE 6782	ACTIVE-PASSIVE 7282	ACTIVE-PASSIVE 7582

Not to scale.

Traditional grille patterns shown. Refer to Clad/Wood Overview section for additional patterns and profiles.

All doors and sidelights are glazed with tempered glass.

Left-hand single doors shown, right-hand and fixed also available.

For Wood Units Only:







To determine masonry dimensions when using Pella 1-7/8" brickmould, add 1-5/8" to frame height and 3-1/8" to frame width. When using Pella 3-1/2" brickmould, add 6-3/8" to frame width and 3-1/4" to frame height.



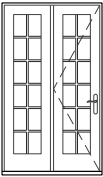
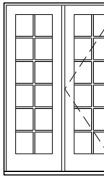
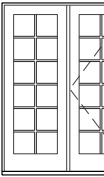
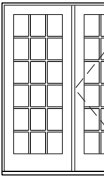
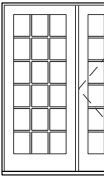
Pella® Reserve™ Traditional In-Swing Patio Door

Size Tables


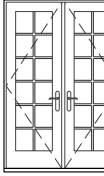
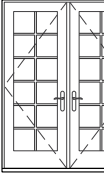

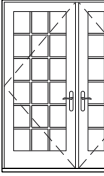
7' 2" Single Doors and Sidelight

	(476) (457)	(664) (645)	(781) (762)	(870) (851)	(933) (914)	(981) (962)
Opening	1' 6 3/4"	2' 2 1/8"	2' 6 3/4"	2' 10 1/4"	3' 0 3/4"	3' 2 5/8"
Frame	1' 6"	2' 1 3/8"	2' 6"	2' 9 1/2"	3' 0"	3' 1 7/8"
(2 197) (2 184) 7' 2" 7' 2"						
	SIDELIGHT	LEFT	LEFT	LEFT	LEFT	LEFT
	1886	2686	3086	3486	3686	3886

7' 2" Double-Swing Doors Fixed-Active

	(1 289) (1 270)	(1 524) (1 505)	(1 702) (1 682)	(1 829) (1 810)	(1 924) (1 905)
Opening	4' 2 3/4"	5' 0"	5' 7"	6' 0"	6' 3 3/4"
Frame	4' 2"	4' 11 1/4"	5' 6 1/4"	5' 11 1/4"	6' 3"
(2 197) (2 184) 7' 2" 7' 2"					
	FIXED-ACTIVE	FIXED-ACTIVE	FIXED-ACTIVE	FIXED-ACTIVE	FIXED-ACTIVE
	5086	6086	6786	7286	7586

7' 2" Double Doors Active-Passive

	(1 289) (1 270)	(1 524) (1 505)	(1 702) (1 682)	(1 829) (1 810)	(1 924) (1 905)
Opening	4' 2 3/4"	5' 0"	5' 7"	6' 0"	6' 3 3/4"
Frame	4' 2"	4' 11 1/4"	5' 6 1/4"	5' 11 1/4"	6' 3"
(2 197) (2 184) 7' 2" 7' 2"					
	ACTIVE-PASSIVE	ACTIVE-PASSIVE	ACTIVE-PASSIVE	ACTIVE-PASSIVE	ACTIVE-PASSIVE
	5086	6086	6786	7286	7586

Not to scale.

Traditional grille patterns shown. Refer to Clad/Wood Overview section for additional patterns and profiles.

All doors and sidelights are glazed with tempered glass.

Left-hand single doors shown, right-hand and fixed also available.

For Wood Units Only:

To determine masonry dimensions when using Pella 1-7/8" brickmould, add 1-5/8" to frame height and 3-1/8" to frame width. When using Pella 3-1/2" brickmould, add 6-3/8" to frame width and 3-1/4" to frame height.



Pella® Reserve™ Traditional In-Swing Patio Door

Size Tables

8' 0" Single Doors and Sidelight

	(476) (457)	(664) (645)	(781) (762)	(870) (851)	(933) (914)	(981) (962)
Opening	1' 6 3/4"	2' 2 1/8"	2' 6 3/4"	2' 10 1/4"	3' 0 3/4"	3' 2 5/8"
Frame	1' 6"	2' 1 3/8"	2' 6"	2' 9 1/2"	3' 0"	3' 1 7/8"
	SIDELIGHT 1896	LEFT 2696	LEFT 3096	LEFT 3496	LEFT 3696	LEFT 3896

8' 0" Double-Swing Doors Fixed-Active

	(1 289) (1 270)	(1 524) (1 505)	(1 702) (1 682)	(1 829) (1 810)	(1 924) (1 905)
Opening	4' 2 3/4"	5' 0"	5' 7"	6' 0"	6' 3 3/4"
Frame	4' 2"	4' 11 1/4"	5' 6 1/4"	5' 11 1/4"	6' 3"
	FIXED-ACTIVE 5096	FIXED-ACTIVE 6096	FIXED-ACTIVE 6796	FIXED-ACTIVE 7296	FIXED-ACTIVE 7596

8' 0" Double Doors Active-Passive

	(1 289) (1 270)	(1 524) (1 505)	(1 702) (1 682)	(1 829) (1 810)	(1 924) (1 905)
Opening	4' 2 3/4"	5' 0"	5' 7"	6' 0"	6' 3 3/4"
Frame	4' 2"	4' 11 1/4"	5' 6 1/4"	5' 11 1/4"	6' 3"
	ACTIVE-PASSIVE 5096	ACTIVE-PASSIVE 6096	ACTIVE-PASSIVE 6796	ACTIVE-PASSIVE 7296	ACTIVE-PASSIVE 7596

Not to scale.

Traditional grille patterns shown. Refer to Clad/Wood Overview section for additional patterns and profiles.

All doors and sidelights are glazed with tempered glass.

Left-hand single doors shown, right-hand and fixed also available.

For Wood Units Only:

To determine masonry dimensions when using Pella 1-7/8" brickmould, add 1-5/8" to frame height and 3-1/8" to frame width. When using Pella 3-1/2" brickmould, add 6-3/8" to frame width and 3-1/4" to frame height.



Pella® Reserve™ Traditional In-Swing Patio Door

Size Tables

10' 0" Single Doors and Sidelight

	(664) (645)	(781) (762)	(870) (851)	(933) (914)	(981) (962)
Opening	2' 2 1/8"	2' 6 3/4"	2' 10 1/4"	3' 0 3/4"	3' 2 5/8"
Frame	2' 1 3/8"	2' 6"	2' 9 1/2"	3' 0"	3' 1 7/8"

(3 048) (3 035)	10' 0"					
	9' 11 1/2"					

10' 0" Double Doors Active-Passive

	(1 289) (1 270)	(1 524) (1 505)	(1 702) (1 682)	(1 829) (1 810)	(1 924) (1 905)
Opening	4' 2 3/4"	5' 0"	5' 7"	6' 0"	6' 3 3/4"
Frame	4' 2"	4' 11 1/4"	5' 6 1/4"	5' 11 1/4"	6' 3"

(3 048) (3 035)	10' 0"					
	9' 11 1/2"					

Not to scale.

Traditional grille patterns shown. Refer to Clad/Wood Overview section for additional patterns and profiles.

All doors and sidelights are glazed with tempered glass.

Left-hand single doors shown, right-hand and fixed also available.

For Wood Units Only:

To determine masonry dimensions when using Pella 1-7/8" brickmould, add 1-5/8" to frame height and 3-1/8" to frame width. When using Pella 3-1/2" brickmould, add 6-3/8" to frame width and 3-1/4" to frame height.



Pella® Reserve™ Traditional In-Swing Patio Door

Size Tables

Wide Stile Transoms for Single Doors

	(664) (645)	(781) (762)	(870) (851)	(933) (914)	(981) (962)
Opening	2' 2 1/8"	2' 6 3/4"	2' 10 1/4"	3' 0 3/4"	3' 2 5/8"
Frame	2' 1 3/8"	2' 6"	2' 9 1/2"	3' 0"	3' 1 7/8"
(375) (356)					
(451) (432)					
(654) (635)					

Wide Stile Transoms for Double-Swing Doors

	(1 289) (1 270)	(1 524) (1 505)	(1 702) (1 682)	(1 829) (1 810)
Opening	4' 2 3/4"	5' 0"	5' 7"	6' 0"
Frame	4' 2"	4' 11 1/4"	5' 6 1/4"	5' 11 1/4"

Standard Stile Transoms for Single Doors

(375) (356)					
(451) (432)					
(654) (635)					

Standard Stile Transoms for Double Doors

Fixed Frame Direct Sets for Single Doors GBG Only

(375) (356)					
(451) (432)					
(654) (635)					

Fixed Frame Direct Sets for Double Doors GBG Only

Not to scale.

Tempered glass is standard.

Traditional grille patterns shown. Refer to Clad/Wood Overview section for additional patterns and profiles.

For Wood Units Only:

To determine masonry dimensions when using Pella 1-7/8" brickmould, add 1-5/8" to frame height and 3-1/8" to frame width. When using Pella 3-1/2" brickmould, add 6-3/8" to frame width and 3-1/4" to frame height.



Special Size Frame Dimensions₁

Door Type	Standard Doors				Products with Impact-Resistant Glass ₂			
	Frame Width		Frame Height		Frame Width		Frame Height	
	Minimum	Maximum	Minimum	Maximum	Minimum	Maximum	Minimum	Maximum
Transoms	25-3/8" (645)	75" (1 905)	14" (356)	25" (635)	25-3/8" (645)	75" (1 905)	14" (356)	25" (635)
Sidelight (Fixed)	18" (457)	65" (457)	36" (914)	119-1/2" (3 035)	12" (305)	42" (1 067)	48" (1 219)	96" (2 438)
Single Doors	18" (457)	48" (1 219)	36" (914)	119-1/2" (3 035)	24" (610)	37-7/8" (962)	76-3/8" (1 940)	119-1/2" (3 035)
Double Doors (AP-PA)	36" (914)	96" (2 438)	36" (914)	119-1/2" (3 035)	48" (1 219)	75" (1 905)	73-3/8" (1 864)	119-1/2" (3 035)
Double Doors (AF-FA)	50" (1 270)	75" (1 905)	79-1/2" (2 019)	119-1/2" (3 035)	48" (1 219)	75" (1 905)	73-3/8" (1 864)	119-1/2" (3 035)

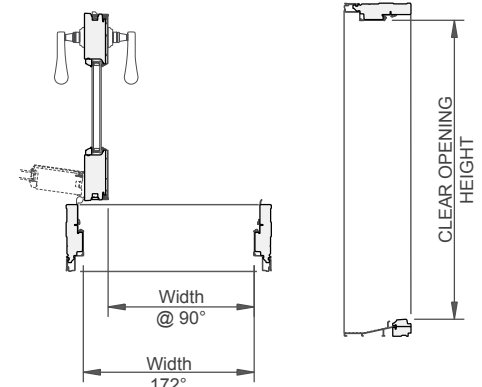
Hinged Door Screen Availability₂

Door Type	Frame Width		Frame Height	
	Minimum	Maximum	Minimum	Maximum
Single Door	24" (610)	42" (1 067)	71-1/4" (1 810)	98-1/8" (2 492)
Double Door	48" (1 219)	84" (2 134)	71-1/4" (1 810)	98-1/8" (2 492)

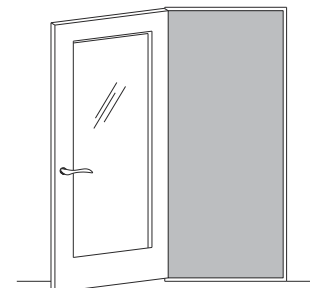
Miscellaneous Formulas

	Visible Glass		Actual Glass	
	Width	Height	Width	Height
Transoms – Fixed Frame Direct Set	FW - 3-1/4"	FH - 3-1/4"	FW - 2"	FH - 2"
Transoms – Fixed Casement	FW - 5-3/4"	FH - 5-3/4"	FW - 4-3/8"	FH - 4-3/8"
Transoms – Wide Stile Casement	FW - 11-5/8"		FW - 10-1/4"	
Sidelights	FW - 6-5/8"	FH - 15-3/4"	FW - 5-5/8"	FH - 4-3/8"
Single Doors	FW - 11-5/8"		FW - 10-5/8"	
Double Doors	FW - 11-5/8"		(FW ÷ 2) - 10-1/4"	

Clear Opening Schematic



CLEAR OPENING WIDTH



Shaded portion shows vent area of door.

	Clad and Wood	Width	Height
	Clear Opening (@ 90°)	Single Door	FW - 5-5/16"
Double Doors (Active/Single Panel)		(FW ÷ 2) - 5"	
Double Doors (Both Panels)		FW - 7-1/2"	
Clear Opening (@ 172°)	Single Door	FW - 3-3/16"	FH - 3-1/16"
	Double Doors (Active/Single Panel)	(FW ÷ 2) - 2-13/16"	
	Double Doors (Both Panels)	FW - 3"	

FW = Frame Width, FH = Frame Height
 (1) Available within size range shown.
 (2) Rectangular Units Only

Keep frame dimensions to the nearest 1/8" increment.
 To convert areas to square meters (m²), multiply square feet by 0.0929.



Pella® Reserve™ Traditional In-Swing Patio Door

Design Data

In-Swing French Design Data												
Unit	Single and Double Doors	Clear Opening (Inches) ₁				Vent Area (Standard Sill)	Vent Area (ADA Sill)	Visible Glass Ft ²	Standard Glass Thickness (mm) Tempered		Performance Class & Grade ²	
		Width (Inches) (172°)	Width (Inches) (90°)	Standard Sill Unit Height	ADA Sill Unit Height				Dual-Pane Glazing	Triple-Pane Glazing		
2680	F	–	–	–	–	–	–	6.1	3	3	LC55	
3080	F	–	–	–	–	–	–	8.1	3	3	LC55	
3480	F	–	–	–	–	–	–	9.7	3	3	LC55	
3680	F	–	–	–	–	–	–	10.8	3	3	LC55	
3880	F	–	–	–	–	–	–	11.6	3	3	LC55	
6' 7-1/2" DOORS	2680	L/R	22-5/16	20-1/16	76-7/16	77-1/2	11.8	12.0	6.1	3	3	LC55
	3080	L/R	26-15/16	24-11/16	76-7/16	77-1/2	14.3	14.5	8.1	3	3	LC55
	3480	L/R	30-7/16	28-3/16	76-7/16	77-1/2	16.2	16.4	9.7	3	3	LC55
	3680	L/R	32-15/16	30-11/16	76-7/16	77-1/2	17.5	17.7	10.8	3	3	LC55
	3880	L/R	34-13/16	32-9/16	76-7/16	77-1/2	18.5	18.7	11.6	3	3	LC55
	5080	FA/AF	22-5/16	20-1/16	76-7/16	77-1/2	11.8	12.0	12.2	3	3	LC55
	6080	FA/AF	26-15/16	24-11/16	76-7/16	77-1/2	14.3	14.5	16.3	3	3	LC55
	6780	FA/AF	30-7/16	28-3/16	76-7/16	77-1/2	16.2	16.4	19.4	3	3	LC55
	7280	FA/AF	32-15/16	30-11/16	76-7/16	77-1/2	17.5	17.7	21.6	3	3	LC55
	7580	FA/AF	34-13/16	32-9/16	76-7/16	77-1/2	18.5	18.7	23.2	3	3	LC55
	5080	PA/AP	47 / 22-1/4	42-1/2 / 20	76-7/16	77-1/2	25.0	25.3	12.2	3	3	LC55
	6080	PA/AP	56-1/4 / 26-7/8	51-3/4 / 24-5/8	76-7/16	77-1/2	29.9	30.3	16.3	3	3	LC55
	6780	PA/AP	63-1/4 / 30-7/8	58-3/4 / 28-5/8	76-7/16	77-1/2	33.6	34.0	19.4	3	3	LC55
	7280	PA/AP	68-1/4 / 32-7/8	63-3/4 / 30-5/8	76-7/16	77-1/2	36.2	36.7	21.6	3	3	LC55
	7580	PA/AP	72 / 34-3/4	67-1/2 / 32-1/2	76-7/16	77-1/2	38.2	38.8	23.2	3	3	LC55

(–) = Not Applicable

(1) All dimensions are approximate to the nearest 1/16". The second value, where shown, provides the clear opening for the active panel only.

(2) Maximum performance when glazed with the appropriate glass thickness. All doors and sidelights are Tempered glass.

To convert areas to square meters (m²), multiply square feet by 0.0929.



Pella® Reserve™ Traditional In-Swing Patio Door

Design Data

In-Swing French Design Data												
Unit	Single and Double Doors	Clear Opening (Inches) ¹				Vent Area (Standard Sill)	Vent Area (ADA Sill)	Visible Glass Ft ²	Standard Glass Thickness (mm) Tempered		Performance Class & Grade ²	
		Width (Inches) (172°)	Width (Inches) (90°)	Standard Sill Unit Height	ADA Sill Unit Height				Dual-Pane Glazing	Triple-Pane Glazing		
2682	F	–	–	–	–	–	–	6.3	3	3	LC55	
3082	F	–	–	–	–	–	–	8.4	3	3	LC55	
3482	F	–	–	–	–	–	–	9.8	3	3	LC55	
3682	F	–	–	–	–	–	–	11.1	3	3	LC55	
3882	F	–	–	–	–	–	–	12.0	3	3	LC55	
6' 10" DOORS	2682	L/R	22-5/16	20-1/16	78-7/16	79-1/2	12.2	12.3	6.3	3	3	LC55
	3082	L/R	26-15/16	24-11/16	78-7/16	79-1/2	14.7	14.9	8.4	3	3	LC55
	3482	L/R	30-7/16	28-3/16	78-7/16	79-1/2	16.6	16.8	9.8	3	3	LC55
	3682	L/R	32-15/16	30-11/16	78-7/16	79-1/2	17.9	18.2	11.1	3	3	LC55
	3882	L/R	34-13/16	32-9/16	78-7/16	79-1/2	19.0	19.2	12.0	3	3	LC55
	5082	FA / AF	22-5/16	20-1/16	78-7/16	79-1/2	12.2	12.3	12.6	3	3	LC55
	6082	FA / AF	26-15/16	24-11/16	78-7/16	79-1/2	14.7	14.9	16.8	3	3	LC55
	6782	FA / AF	30-7/16	28-3/16	78-7/16	79-1/2	16.6	16.8	19.6	3	3	LC55
	7282	FA / AF	32-15/16	30-11/16	78-7/16	79-1/2	17.9	18.2	22.3	3	3	LC55
	7582	FA / AF	34-13/16	32-9/16	78-7/16	79-1/2	19.0	19.2	24.0	3	3	LC55
	5082	PA/AP	47 / 22-1/4	42-1/2 / 20	78-7/16	79-1/2	25.6	26.0	12.6	3	3	LC55
	6082	PA/AP	56-1/4 / 26-7/8	51-3/4 / 24-5/8	78-7/16	79-1/2	30.6	31.1	16.8	3	3	LC55
	6782	PA/AP	63-1/4 / 30-7/8	58-3/4 / 28-5/8	78-7/16	79-1/2	34.5	34.9	19.6	3	3	LC55
	7282	PA/AP	68-1/4 / 32-7/8	63-3/4 / 30-5/8	78-7/16	79-1/2	37.2	37.7	22.3	3	3	LC55
	7582	PA/AP	72 / 34-3/4	67-1/2 / 32-1/2	78-7/16	79-1/2	39.2	39.8	24.0	3	3	LC55
7' 2" DOORS	2686	F	–	–	–	–	–	–	6.7	3	3	LC55
	3086	F	–	–	–	–	–	–	9.0	3	3	LC55
	3486	F	–	–	–	–	–	–	10.7	3	3	LC55
	3686	F	–	–	–	–	–	–	11.9	3	3	LC55
	3886	F	–	–	–	–	–	–	12.8	3	3	LC55
	2686	L/R	22-5/16	20-1/16	82-15/16	84	12.9	13.0	6.7	3	3	LC55
	3086	L/R	26-15/16	24-11/16	82-15/16	84	15.5	15.7	9.0	3	3	LC55
	3486	L/R	30-7/16	28-3/16	82-15/16	84	17.5	17.8	10.7	3	3	LC55
	3686	L/R	32-15/16	30-11/16	82-15/16	84	19.0	19.2	11.9	3	3	LC55
	3886	L/R	34-13/16	32-9/16	82-15/16	84	20.1	20.3	12.8	3	3	LC55
	5086	FA / AF	22-5/16	20-1/16	82-15/16	84	12.9	13.0	13.4	3	3	LC55
	6086	FA / AF	26-15/16	24-11/16	82-15/16	84	15.5	15.7	17.9	3	3	LC55
	6786	FA / AF	30-7/16	28-3/16	82-15/16	84	17.5	17.8	21.3	3	3	LC55
	7286	FA / AF	32-15/16	30-11/16	82-15/16	84	19.0	19.2	23.8	3	3	LC55
	7586	FA / AF	34-13/16	32-9/16	82-15/16	84	20.1	20.3	25.6	3	3	LC55
5086	PA/AP	47 / 22-1/4	42-1/2 / 20	82-15/16	84	27.1	27.4	13.4	3	3	LC55	
6086	PA/AP	56-1/4 / 26-7/8	51-3/4 / 24-5/8	82-15/16	84	32.4	32.8	17.9	3	3	LC55	
6786	PA/AP	63-1/4 / 30-7/8	58-3/4 / 28-5/8	82-15/16	84	36.4	36.9	21.3	3	3	LC55	
7286	PA/AP	68-1/4 / 32-7/8	63-3/4 / 30-5/8	82-15/16	84	39.3	39.8	23.8	3	3	LC55	
7586	PA/AP	72 / 34-3/4	67-1/2 / 32-1/2	82-15/16	84	41.5	42.0	25.6	3	3	LC55	

(–) = Not Applicable

(1) All dimensions are approximate to the nearest 1/16". The second value, where shown, provides the clear opening for the active panel only.

(2) Maximum performance when glazed with the appropriate glass thickness. All doors and sidelights are Tempered glass.

To convert areas to square meters (m²), multiply square feet by 0.0929.



Pella® Reserve™ Traditional In-Swing Patio Door

Design Data

In-Swing French Design Data												
Unit	Single and Double Doors	Clear Opening (Inches) ₁				Vent Area (Standard Sill)	Vent Area (ADA Sill)	Visible Glass Ft ²	Standard Glass Thickness (mm) Tempered		Performance Class & Grade ₂	
		Width (Inches) (172°)	Width (Inches) (90°)	Standard Sill Unit Height	ADA Sill Unit Height				Dual-Pane Glazing	Triple-Pane Glazing		
2696	F	-	-	-	-	-	-	7.6	3	3	LC55	
3096	F	-	-	-	-	-	-	10.2	3	3	LC55	
3496	F	-	-	-	-	-	-	12.1	3	3	LC55	
3696	F	-	-	-	-	-	-	13.5	3	3	LC55	
3896	F	-	-	-	-	-	-	14.5	3	3	LC55	
8' 0" DOORS	2696	L/R	22-5/16	20-1/16	92-7/16	93-1/2	14.3	14.5	7.6	3	3	LC55
	3096	L/R	26-15/16	24-11/16	92-7/16	93-1/2	17.3	17.5	10.2	3	3	LC55
	3496	L/R	30-7/16	28-3/16	92-7/16	93-1/2	19.5	19.8	12.1	3	3	LC55
	3696	L/R	32-15/16	30-11/16	92-7/16	93-1/2	21.1	21.4	13.5	3	3	LC55
	3896	L/R	34-13/16	32-9/16	92-7/16	93-1/2	22.4	22.6	14.5	3	3	LC55
	5096	FA / AF	22-5/16	20-1/16	92-7/16	93-1/2	14.3	14.5	15.2	3	3	LC55
	6096	FA / AF	26-15/16	24-11/16	92-7/16	93-1/2	17.3	17.5	20.4	3	3	LC55
	6796	FA / AF	30-7/16	28-3/16	92-7/16	93-1/2	19.5	19.8	24.2	3	3	LC55
	7296	FA / AF	32-15/16	30-11/16	92-7/16	93-1/2	21.1	21.4	27.0	3	3	LC55
	7596	FA / AF	34-13/16	32-9/16	92-7/16	93-1/2	22.4	22.6	29.1	3	3	LC55
	5096	PA/AP	47 / 22-1/4	42-1/2 / 20	92-7/16	93-1/2	30.2	30.5	15.2	3	3	LC55
	6096	PA/AP	56-1/4 / 26-7/8	51-3/4 / 24-5/8	92-7/16	93-1/2	36.1	36.5	20.4	3	3	LC55
	6796	PA/AP	63-1/4 / 30-7/8	58-3/4 / 28-5/8	92-7/16	93-1/2	40.6	41.1	24.2	3	3	LC55
	7296	PA/AP	68-1/4 / 32-7/8	63-3/4 / 30-5/8	92-7/16	93-1/2	43.8	44.3	27.0	3	3	LC55
	7596	PA/AP	72 / 34-3/4	67-1/2 / 32-1/2	92-7/16	93-1/2	46.2	46.8	29.1	3	3	LC55
10' 0" DOORS	26120	F	-	-	-	-	-	-	9.9	5	-	LC55
	30120	F	-	-	-	-	-	-	13.2	5	-	LC55
	34120	F	-	-	-	-	-	-	15.8	5	-	LC55
	36120	F	-	-	-	-	-	-	17.6	5	-	LC55
	38120	F	-	-	-	-	-	-	18.9	5	-	LC55
	26120	L/R	22-5/16	20-1/16	116-7/16	117-1/2	18.0	18.2	9.9	5	-	LC40
	30120	L/R	26-15/16	24-11/16	116-7/16	117-1/2	21.8	22.0	13.2	5	-	LC40
	34120	L/R	30-7/16	28-3/16	116-7/16	117-1/2	24.6	24.8	15.8	5	-	LC40
	36120	L/R	32-15/16	30-11/16	116-7/16	117-1/2	26.6	26.9	17.6	5	-	LC40
	38120	L/R	34-13/16	32-9/16	116-7/16	117-1/2	28.2	28.4	18.9	5	-	LC40
	50120	PA/AP	47 / 22-1/4	42-1/2 / 20	116-7/16	117-1/2	38.0	38.4	19.8	5	-	LC40
	60120	PA/AP	56-1/4 / 26-7/8	51-3/4 / 24-5/8	116-7/16	117-1/2	45.5	45.9	26.5	5	-	LC40
67120	PA/AP	63-1/4 / 30-7/8	58-3/4 / 28-5/8	116-7/16	117-1/2	51.1	51.6	31.5	5	-	LC40	
72120	PA/AP	68-1/4 / 32-7/8	63-3/4 / 30-5/8	116-7/16	117-1/2	55.2	55.7	35.1	5	-	LC40	
75120	PA/AP	72 / 34-3/4	67-1/2 / 32-1/2	116-7/16	117-1/2	58.2	58.8	37.8	5	-	LC40	

Sidelights

Unit	Visible Glass Ft ²	Standard Glass Thickness (mm) Tempered		Performance Class & Grade
		Dual-Pane Glazing	Triple-Pane Glazing	
1880	5	3	3	LC55
1881	5.1	3	3	LC55
1882	5.2	3	3	LC55
1886	5.5	3	3	LC55
1896	6.3	3	3	LC55

(-) = Not Applicable

(1) All dimensions are approximate to the nearest 1/16". The second value, where shown, provides the clear opening for the active panel only.

(2) Maximum performance when glazed with the appropriate glass thickness. All doors and sidelights are Tempered glass.

To convert areas to square meters (m²), multiply square feet by 0.0929.



Pella® Reserve™ Traditional In-Swing Patio Door

Design Data

Transoms						
Unit	Visible Glass Ft ²	Standard Glass Thickness (mm)			Performance Class & Grade ²	
		Dual-Pane Glazing		Triple-Pane Glazing		
		Annealed	Tempered	Annealed or Tempered		
2614	1.7	3	3	3	CW50	
2617	2.1	3	3	3	CW50	
2625	3.3	3	3	3	CW50	
3014	2.0	3	3	3	CW50	
3017	2.6	3	3	3	CW50	
3025	4.0	3	3	3	CW50	
3414	2.3	3	3	3	CW50	
3417	2.9	3	3	3	CW50	
3425	4.6	3	3	3	CW50	
3614	2.4	3	3	3	CW50	
3617	3.1	3	3	3	CW50	
3625	4.9	3	3	3	CW50	
3814	2.6	3	3	3	CW50	
3817	3.3	3	3	3	CW50	
3825	5.2	3	3	3	CW50	
5014	3.5	3	3	3	CW50	
5017	4.5	3	3	3	CW50	
5025	7.1	3	3	3	CW50	
6014	4.2	3	3	3	CW50	
6017	5.3	3	3	3	CW50	
6025	8.5	3	3	3	CW50	
6714	4.7	3	3	3	CW40	
6717	6.0	3	3	3	CW40	
6725	9.5	3	3	3	CW40	
7214T	5.1	—	3	3	CW40	
7217	6.5	3	3	3	CW40	
7225	10.3	3	3	3	CW40	
7514T	5.4	—	3	3	CW40	
7517T	6.8	—	3	3	CW40	
7525	10.8	3	3	3	CW40	
2614	1.1	2.5	3	3	CW50	
2617	1.5	2.5	3	3	CW50	
2625	2.6	2.5	3	3	CW50	
3014	1.4	2.5	3	3	CW50	
3017	1.9	2.5	3	3	CW50	
3025	3.2	2.5	3	3	CW50	
3414	1.6	2.5	3	3	CW50	
3417	2.2	2.5	3	3	CW50	
3425	3.7	2.5	3	3	CW50	
3614	1.7	2.5	3	3	CW50	
3617	2.4	2.5	3	3	CW50	
3625	4.0	2.5	3	3	CW50	
3814	1.8	2.5	3	3	CW50	
3817	2.5	2.5	3	3	CW50	
3825	4.3	2.5	3	3	CW50	
5014	2.5	2.5	3	3	CW50	
5017	3.5	2.5	3	3	CW50	
5025	5.9	2.5	3	3	CW50	
6014T	3.1	—	3	3	CW50	
6017	4.2	2.5	3	3	CW50	
6025	7.2	2.5	3	3	CW45/CW50	
6714T	3.5	—	3	3	R15 ₁	
6717	4.7	2.5	3	3	R15 ₁	
6725	8.1	2.5	3	3	R15 ₁	
7214T	3.8	—	3	3	R15 ₁	
7217T	5.1	—	3	3	R15 ₁	
7225	8.8	2.5	3	3	R15 ₁	
7514T	4.0	—	3	3	R15 ₁	
7517T	5.4	—	3	3	R15 ₁	
7525	9.3	2.5	3	3	R15 ₁	

Transoms						
Unit	Visible Glass Ft ²	Standard Glass Thickness (mm)			Performance Class & Grade ²	
		Dual-Pane Glazing		Triple-Pane Glazing		
		Annealed	Tempered	Annealed or Tempered		
2614	0.8	2.5	3	3	R15 ₁	
2617	1.1	2.5	3	3	R15 ₁	
2625	1.8	2.5	3	3	R15 ₁	
3014	1.1	2.5	3	3	R15 ₁	
3017	1.4	2.5	3	3	R15 ₁	
3025	2.5	2.5	3	3	R15 ₁	
3414	1.3	2.5	3	3	R15 ₁	
3417	1.7	2.5	3	3	R15 ₁	
3425	2.9	2.5	3	3	R15 ₁	
3614	1.4	2.5	3	3	R15 ₁	
3617	1.9	2.5	3	3	R15 ₁	
3625	3.3	2.5	3	3	R15 ₁	
3814	1.5	2.5	3	3	R15 ₁	
3817	2.1	2.5	3	3	R15 ₁	
3825	3.5	2.5	3	3	R15 ₁	
5014	2.2	2.5	3	3	R15 ₁	
5017	3.0	2.5	3	3	R15 ₁	
5025	5.1	2.5	3	3	R15 ₁	
6014T	2.7	—	3	3	R15 ₁	
6017	3.7	2.5	3	3	R15 ₁	
6025	6.4	2.5	3	3	R15 ₁	
6714T	3.1	—	3	3	R15 ₁	
6717T	4.3	—	3	3	R15 ₁	
6725	7.3	2.5	3	3	R15 ₁	
7214T	3.4	—	3	3	R15 ₁	
7217T	4.7	—	3	3	R15 ₁	
7225	8.0	2.5	3	3	R15 ₁	
7514T	3.6	—	3	3	R15 ₁	
7517T	5.0	—	3	3	R15 ₁	
7525	8.5	2.5	3	3	R15 ₁	

(-) = Not Applicable

T = Tempered required due to aspect ratio.

(1) Units are not AAMA/WDMA performance certified. Units are engineered to meet the performance class and grade shown.

(2) Maximum performance when glazed with the appropriate glass thickness.



Frame

- Select softwood, immersion treated with Pella's EnduraGuard® wood protection formula in accordance with WDMA I.S.-4. The EnduraGuard formula includes three active ingredients for protection against the effects of moisture, decay, stains from mold and mildew. Plus, an additional ingredient adds protection against termite damage.
- Interior exposed surfaces are [clear pine] [mahogany] [douglas fir], edge-banded and veneered. Any curved member may have visible finger-jointed surfaces.
- Exterior surfaces are clad with aluminum at the head and jambs.
- Components are assembled with screws, staples and concealed corner locks.
- Frame depth between 5-7/8" (149mm) to 8-5/8" (219mm), for wall depth between 4-9/16" (116mm) to 7-5/16" (186mm).
- Optional factory-applied EnduraClad® exterior trim.
- Solid extruded aluminum sill with [Mill] [Nickel] [Bronze] [Black] [anodized to match anodized cladding] finish. [Mahogany threshold for mahogany door] [[oak] [composite black] threshold for [pine] [douglas fir] door].
- or -
- Sill is 1/2" low profile. Material and finish are extruded aluminum with [mill] [Bronze] [anodized to match anodized cladding] finish.

Door panels

- Select softwood, immersion treated with Pella's EnduraGuard® wood protection formula in accordance with WDMA I.S.-4. The EnduraGuard formula includes three active ingredients for protection against the effects of moisture, decay, stains from mold and mildew. Plus, an additional ingredient adds protection against termite damage.
- Interior exposed surfaces are veneered with [clear pine] [mahogany] [douglas fir]. Any curved member may have visible finger-jointed surfaces.
- Exterior surfaces are clad with extruded aluminum.
- Panel hinge stiles and rails are three-ply construction, randomly finger-jointed blocks laminated with water-resistant glue and veneered on both sides.
- Panel lock stiles are constructed with LVL core with finger-jointed edge bands on both sides and veneered on both faces.
- Corners are urethane-silicone hybrid-sealed and secured with metal fasteners.
- Panel thickness is 2-1/16" (52mm).
- Panel exterior profile is [ogee] [putty glaze], interior profile is ogee.

Weatherstripping

- Dual-durometer extruded polymer along perimeter of door frame. On bottom panels, dual-durometer extruded polymer interior air seal and rigid polymer exterior facing bristle-strip.

Glazing System

- Quality fully-tempered float glass complying with ASTM C 1048.
- Custom and high altitude glazing available.
- Urethane-glazed 13/16" dual-seal insulating glass [clear] [obscure] [[Advanced Low-E] [SunDefense™ Low-E] [AdvancedComfort Low-E] [NaturalSun Low-E] with argon]] [[bronze] [gray] [green] Advanced Low-E with argon].
- or -
- Silicone-glazed 1" triple-pane, dual-seal insulating glass [Advanced Low-E] [SunDefense™ Low-E] [NaturalSun Low-E] with [argon] [krypton]].
- or -
- Impact-Resistant
 - Urethane-glazed 7/8" dual-seal impact-resistant insulating glass¹ PVB. Laminated clear exterior light. Tempered interior light is [Advanced Low-E] [clear] [bronze] [gray] [green].

Exterior

- Aluminum-clad exteriors shall be finished with EnduraClad® protective finish, in a multi-step, baked-on finish.
 - Color is [Standard] [custom]¹.
- or -
- Aluminum-clad exteriors shall be finished with EnduraClad Plus protective finish with 70% fluoropolymer resin in a multi-step, baked-on finish.
 - Color is [Standard] [custom]¹.

Interior

- [Unfinished, ready for site finishing] [factory primed with one coat acrylic latex] [factory prefinished [paint] [stain]¹].

Hardware

Hinges

- Hinges are adjustable to help with installation.
- Doors under 7' 0" frame height will have three (3) hinges per panel.
- Doors over 7' 0" frame height up to and including 8' 0" frame height will have four (4) hinges per panel.
- Doors over 8' 3" frame height up to and including 9' 0" frame height will have five (5) hinges per panel.
- Doors over 9' 0" frame height will have six (6) hinges per panel.

Locks

- Mortised and keyed multi-point locking system, center deadbolt and shoot-bolts at head and sill will engage simultaneously.
- Doors 8' 0" frame height and below will have one (1) strike at the head, one (1) strike at the sill and one (1) center deadbolt.
- Doors over 8' 0" frame height up to and including 10' 0" frame height will have one (1) strike at the head, one (1) strike at the sill and three (3) locking points at the stile.
- Solid brass handles and keylock with K-keyway cylinder.
- Key cylinder finish is [Brass] [Stainless Steel] [Matte Black].

Finish

- Hardware finish is (Handle, Hinges and Strike) [baked enamel [White] [Champagne] [Brown] [Matte Black]] [PVD High Performance finish [Bright Brass] [Satin Nickel]] [Oil-Rubbed Bronze] [Antique Brass] [Distressed Bronze] [Distressed Nickel] [Polished Nickel] [Polished Chrome].

Optional Products

Grilles

- Integral Light Technology® grilles
 - Interior grilles are [5/8"] [7/8"] [1-1/4"] [2"] ogee profile that are solid [Pine] [mahogany] [douglas fir]. Interior surfaces are [unfinished, ready for site finishing] [factory primed] [pine: factory prefinished [paint] [stain]¹].
 - Exterior grilles are [5/8" putty glaze profile] [7/8" [putty glaze] [ogee] profile] [1-1/4" [putty glaze] [ogee] profile] [2" ogee profile] that are extruded aluminum, finished to match door cladding.
 - Patterns are [Traditional] [Prairie] [Top Row] [Cross] [New England] [Victorian].
 - Insulating glass contains non-glare spacer between the panes of glass.
 - Grilles are adhered to both sides of the insulating glass with VHB acrylic adhesive tape and aligned with the non-glare spacer.
- or -
- Grilles-Between-the-Glass²
 - Insulating glass contains 3/4" contoured aluminum grilles permanently installed between two panes of glass (exterior air-space on triple-pane insulating glass).
 - Patterns are [Traditional] [Prairie] [Cross] [Top Row]
 - Interior color is [White] [Tan³] [Brown³] [Putty³] [Black] [Morning Sky Gray] [Ivory] [Sand Dune] [Harvest] [Cordovan] [Brickstone].
 - Exterior color⁴ is [Standard]¹.
- or -

Roomside Removable Grilles

- [[3/4"] [1-1/4"] [2"] Regular] [[1-1/4"] [2"] Colonial] profile. [Traditional] [Prairie] patterns that are removable solid pine wood bars steel-pinned at joints and fitted to sash with steel clips and tacks.
- Interior [unfinished, ready for site finishing] [factory primed] [pine: factory prefinished [paint] [stain]¹].
- Exterior [unfinished, ready for site finishing] [factory primed] [finish color matched to exterior cladding⁴].

Screens

- Finish matches exterior cladding.
- Hinged Insect Screens:
 - Compliance: ASTM D 3656 and SMA 1201.
 - Screen Cloth: InView™ Vinyl-coated fiberglass, 18/18 mesh fiberglass screen cloth complying with the performance requirements of SMA 1201.
 - Extruded-aluminum frame, hinged to door frame.
 - Complete with necessary hardware.
 - Hardware Color: [White] [Tan] [Brown] [Matte Black].
- or -
- Exterior Sliding Insect Screens:
 - Compliance: ASTM D 3656 and SMA 1201.
 - Screen Cloth: InView™ Vinyl-coated fiberglass, 18/18 mesh fiberglass screen cloth complying with the performance requirements of SMA 1201.
 - Extruded-aluminum frame, top hung on 2 adjustable nylon rollers.
 - Complete with necessary hardware.
 - Hardware Color: [White] [Tan] [Brown] [Matte Black].

Sensors

- Optional factory installed integrated security sensors available in vent units.

(1) Contact your local Pella sales representative for current color options.

(2) Available in clear or Low-E insulating glass with argon, and obscure insulated glass.

(3) Tan, Brown or Putty Interior GBG colors are available in single-tone (Brown/Brown, Tan/Tan or Putty/Putty). Other interior colors are also available with Tan or Brown exterior.

(4) Appearance of exterior grille color will vary depending on Low-E coating on glass.



Frame

- Select softwood, immersion treated with Pella's EnduraGuard® wood protection formula in accordance with WDMA I.S.-4. The EnduraGuard formula includes three active ingredients for protection against the effects of moisture, decay, stains from mold and mildew. Plus, an additional ingredient adds protection against termite damage.
- Interior surfaces are [clear pine: [factory primed] [ready to stain]] [mahogany: [factory primed] [ready to stain]] edge-banded and veneered.
- Exterior surfaces are [pine: factory primed] [mahogany: [factory primed] [ready to stain]].
- Any exterior or curved member may have visible finger-jointed surfaces.
- Frame depth between 5-7/8" (149 mm) to 8-9/16" (217 mm), for a wall depth between 4-9/16" (116 mm) to 7.25" (184 mm).
- Solid extruded aluminum sill with [Mill] [Nickel] [Bronze] [Black] [anodized [Clear] [Light Bronze] [Dark Bronze] [Black] [Custom₃]] finish. [Mahogany threshold for mahogany door] [[oak] [composite black] threshold for [pine] [douglas fir] door].
- or -
- Sill is 1/2" low profile. Material and finish are extruded aluminum with [mill] [Bronze] [anodized [Clear] [Light Bronze] [Dark Bronze] [Black] [Custom₃]] finish.

Door panels

- Select softwood, immersion treated with Pella's EnduraGuard® wood protection formula in accordance with WDMA I.S.-4. The EnduraGuard formula includes three active ingredients for protection against the effects of moisture, decay, stains from mold and mildew. Plus, an additional ingredient adds protection against termite damage.
- Interior exposed surfaces are veneered with [clear pine] [mahogany]. Any curved member may have visible finger-jointed surfaces.
- Exterior surfaces are [wood composite: factory primed] [mahogany: [factory primed] [ready to stain]].
- Panel stiles and rails are five-ply construction, randomly finger-jointed blocks laminated with water-resistant glue and veneered on both sides.
- Corners are urethane-silicone hybrid-sealed and secured with metal fasteners.
- Panel thickness is 2-1/16" (52mm).

Weatherstripping

- Dual-durometer extruded polymer along perimeter of door frame. On bottom panels, dual-durometer extruded polymer interior air seal and rigid polymer exterior facing bristle-strip.

Glazing System

- Quality fully-tempered float glass complying with ASTM C 1048.
- Custom and high altitude glazing available.
- Urethane-glazed 13/16" dual-seal insulating glass [clear] [obscure] [[Advanced Low-E] [SunDefense™ Low-E] [AdvancedComfort Low-E] [NaturalSun Low-E] with argon] [[bronze] [gray] [green] Advanced Low-E with argon].
- or -
- Silicone-glazed 1" triple-pane, dual-seal insulating glass [[annealed] [tempered]] [[Advanced Low-E] [SunDefense™ Low-E] [NaturalSun Low-E] with argon] [krypton]].

Exterior

- [Wood composite: factory primed with one coat acrylic latex] [mahogany [factory primed with one coat acrylic latex] [Unfinished, ready for site finishing]].

Interior

- [Unfinished, ready for site finishing] [factory primed with one coat acrylic latex] [factory prefinished [paint] [stain]₃].

Hardware

Hinges

- Hinges are adjustable to help with installation.
- Doors 6' 10" to 7' 0" frame height will have three (3) hinges per panel.
- Doors over 7' 0" frame height up to and including 8' 0" frame height will have four (4) hinges per panel.
- Doors over 8' 3" frame height up to and including 9' 0" frame height will have five (5) hinges per panel.
- Doors over 9' 0" frame height will have six (6) hinges per panel.

Locks

- Mortised and keyed multi-point locking system, center deadbolt and shoot-bolts at head and sill will engage simultaneously.
- Doors 8' 0" frame height and below will have one (1) strike at the head, one (1) strike at the sill and one (1) center deadbolt.
- Doors over 8' 0" frame height up to and including 10' 0" frame height will have one (1) strike at the head, one (1) strike at the sill and three (3) locking points at the stile.
- Solid brass handles and keylock with K-keyway cylinder.
- Key cylinder finish is [Brass] [Stainless Steel] [Matte Black].

Finish

- Hardware finish is (Handle, Hinges and Strike) [baked enamel [White] [Champagne] [Brown] [Matte Black]] [PVD High Performance finish [Bright Brass] [Satin Nickel]] [Oil-Rubbed Bronze] [Antique Brass] [Distressed Bronze] [Distressed Nickel] [Polished Nickel] [Polished Chrome].

Optional Products

Grilles

- Integral Light Technology® grilles
 - Interior grilles are [5/8" [7/8" [1-1/4"] ogee profile that are solid [pine] [mahogany]. Interior surfaces are [unfinished, ready for site finishing] [factory primed] [pine: factory prefinished [paint] [stain]₃].
 - Exterior grilles are [5/8" [7/8" [1-1/4"] putty glaze profile that are solid [pine] [mahogany]. Exterior surfaces are water repellent, preservative-treated in accordance with WDMA I.S.-4, and are factory primed.
 - Patterns are [Traditional] [Prairie] [Top Row] [Cross] [New England] [Victorian].
 - Insulating glass contains non-glare spacer between the panes of glass.
 - Grilles are adhered to both sides of the insulating glass with VHB acrylic adhesive tape and aligned with spacer
- or -
- Grilles-Between-the-Glass₂
 - Insulating glass contains 3/4" contoured aluminum grilles permanently installed between two panes of glass (exterior air-space on triple-pane insulating glass).
 - Patterns are [Traditional] [Prairie] [Cross] [Top Row]
 - Interior color is [White] [Tan₂] [Brown₂] [Putty₂] [Black] [Morning Sky Gray] [Ivory] [Sand Dune] [Harvest] [Cordovan] [Brickstone].
 - Exterior color₄ is [Standard₃].
- or -
- Roomside Removable Grilles
 - [[3/4"] [1-1/4"] [2"] Regular] [[1-1/4"] [2"] Colonial] profile. [Traditional] [Prairie] patterns that are removable solid pine wood bars steel-pinned at joints and fitted to sash with steel clips and tacks.
 - Interior [unfinished, ready for site finishing] [factory primed] [pine: factory prefinished [paint] [stain]₃].
 - Exterior [unfinished, ready for site finishing] [factory primed] [finish color matched to exterior cladding₄].

Sensors

- Optional factory installed integrated security sensors available in vent units.

(1) Available in clear or Low-E insulating glass with argon, and obscure insulated glass.

(2) Tan, Brown and Putty Interior GBG colors are available in single-tone (Brown/Brown, Tan/Tan or Putty/Putty). Other interior colors are also available with Tan or Brown exterior.

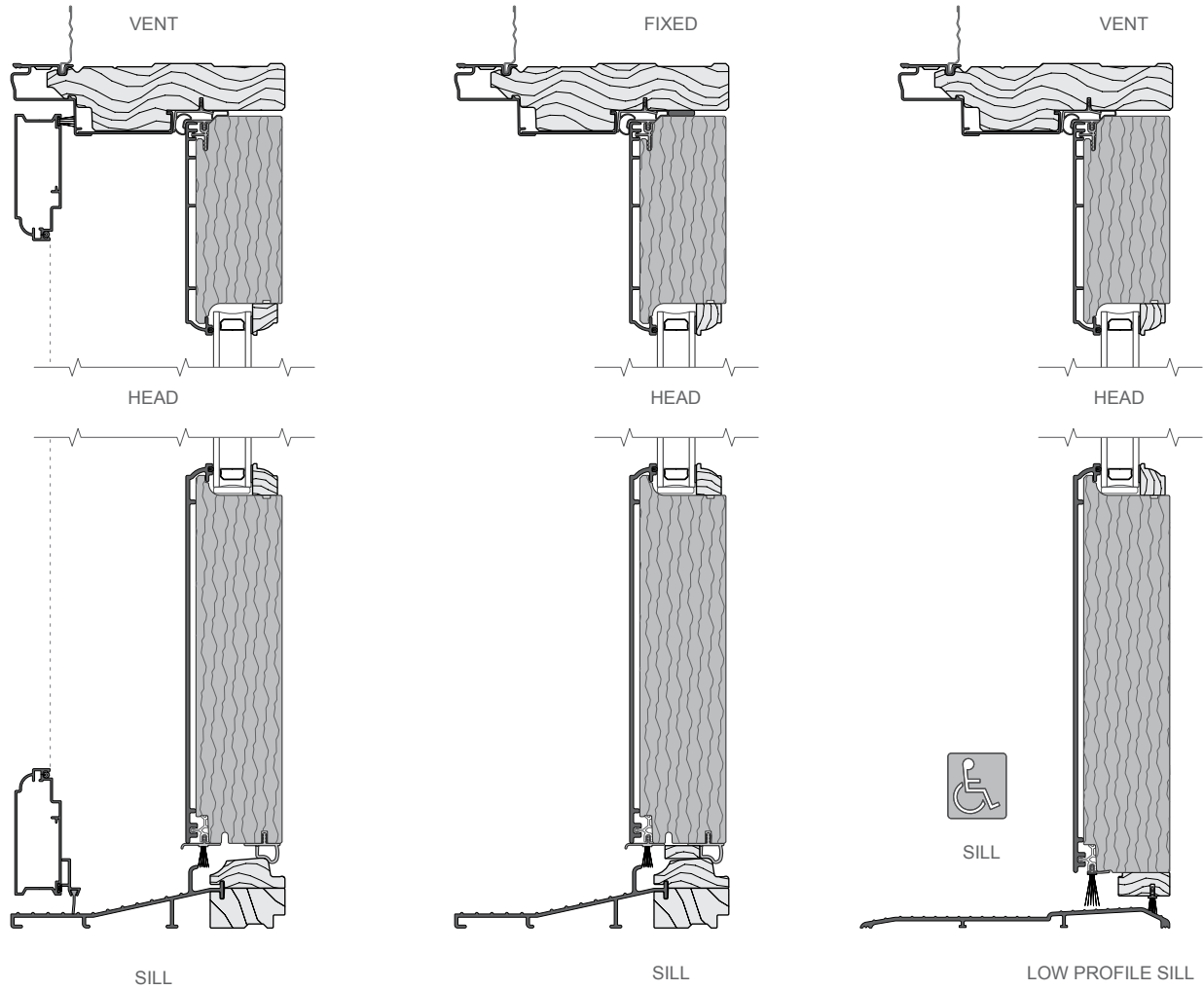
(3) Contact your local Pella sales representative for current color options.



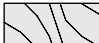
(4) Appearance of exterior grille color will vary depending on Low-E coating on glass.



Pella® Reserve™ Traditional In-Swing Patio Door

Unit Sections - Aluminum-Clad Exterior - Wood Collection



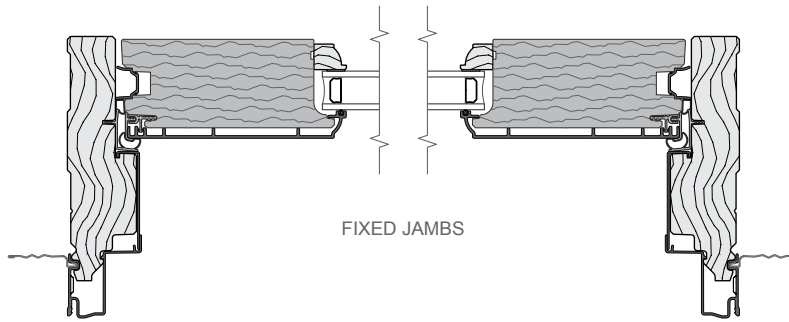
-  Solid Mahogany
-  Core with Mahogany Veneer
-  Painted Pine

Scale 3" = 1' 0"
 All dimensions are approximate.
 Water resistance is 0 psf for doors with low profile sill.

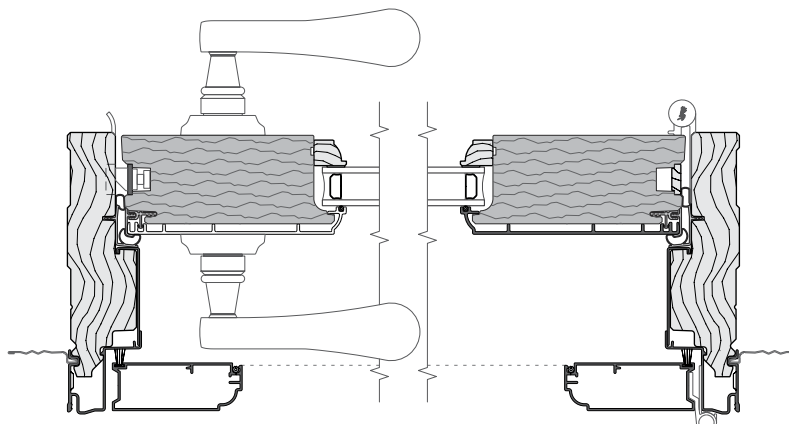


Pella® Reserve™ Traditional In-Swing Patio Door

Unit Sections - Aluminum-Clad Exterior - Wood Collection

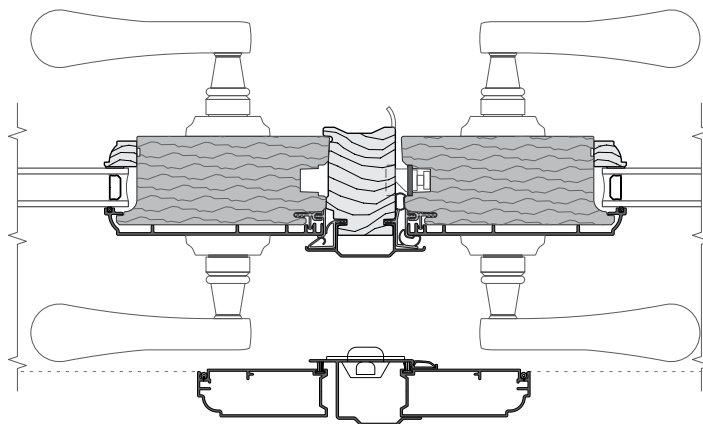


FIXED JAMBS



LOCK JAMB

HINGE JAMB



ACTIVE / PASSIVE
ASTRAGAL



Solid Mahogany



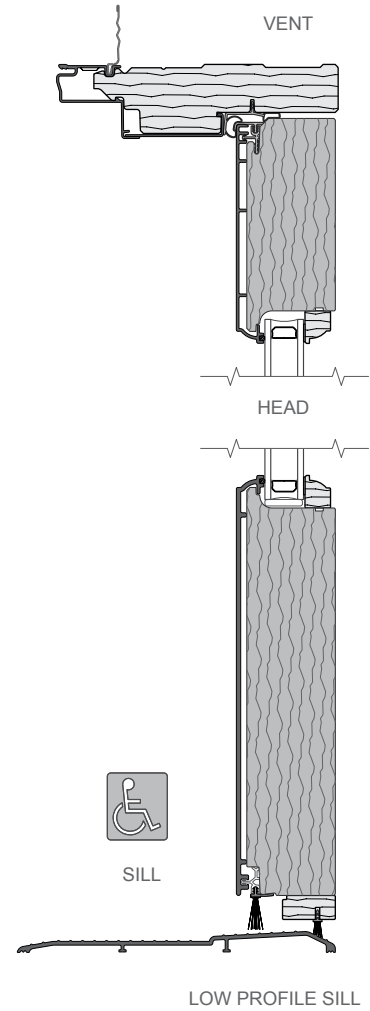
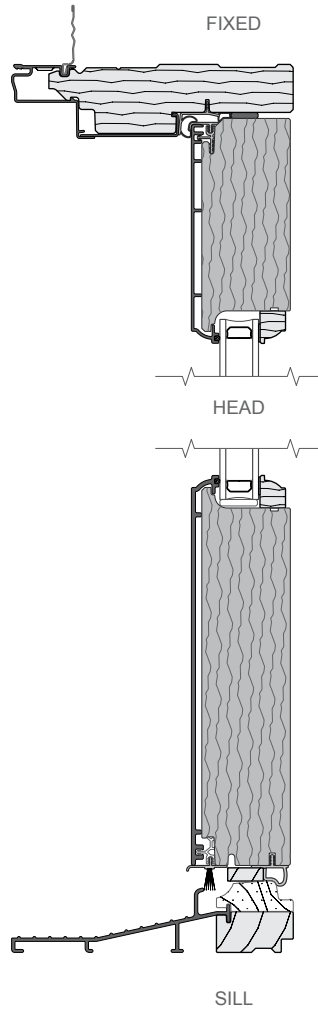
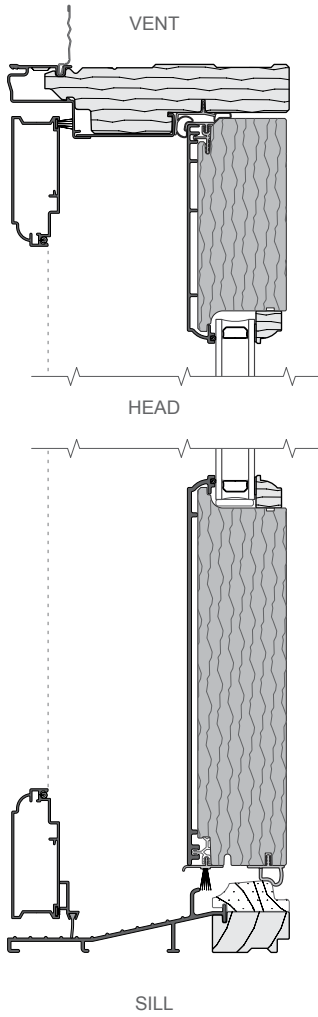
Core with Mahogany Veneer





Scale 3" = 1' 0"
All dimensions are approximate.



Pella® Reserve™ Traditional In-Swing Patio Door

Unit Sections - Aluminum-Clad Exterior - Wood Collection



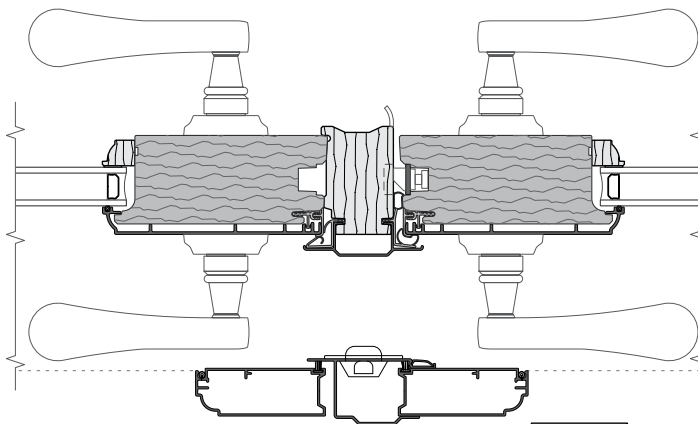
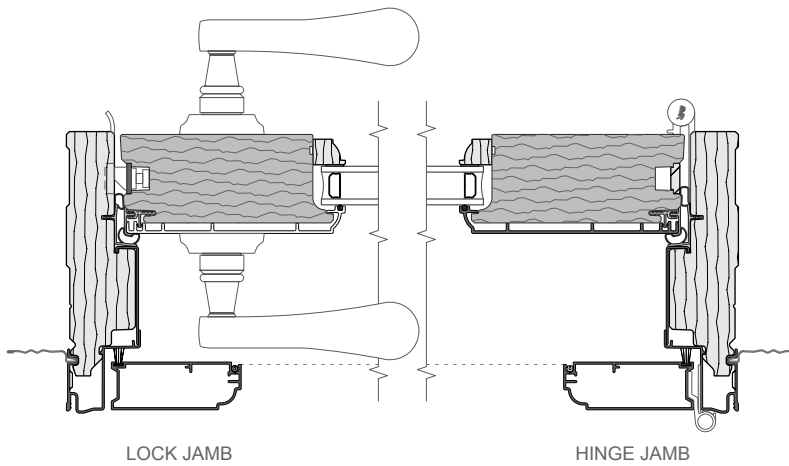
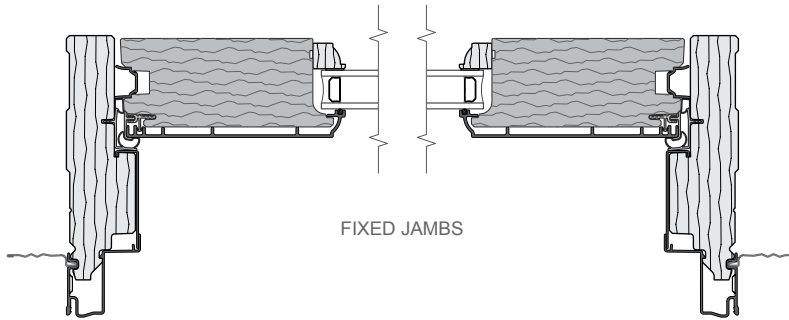
-  Alder, Douglas Fir or Pine
-  Core with Alder, Douglas Fir or Pine Veneer
-  Solid Pine
-  Oak



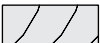
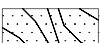
Scale 3" = 1' 0"
All dimensions are approximate.



Pella® Reserve™ Traditional In-Swing Patio Door

Unit Sections - Aluminum-Clad Exterior - Wood Collection



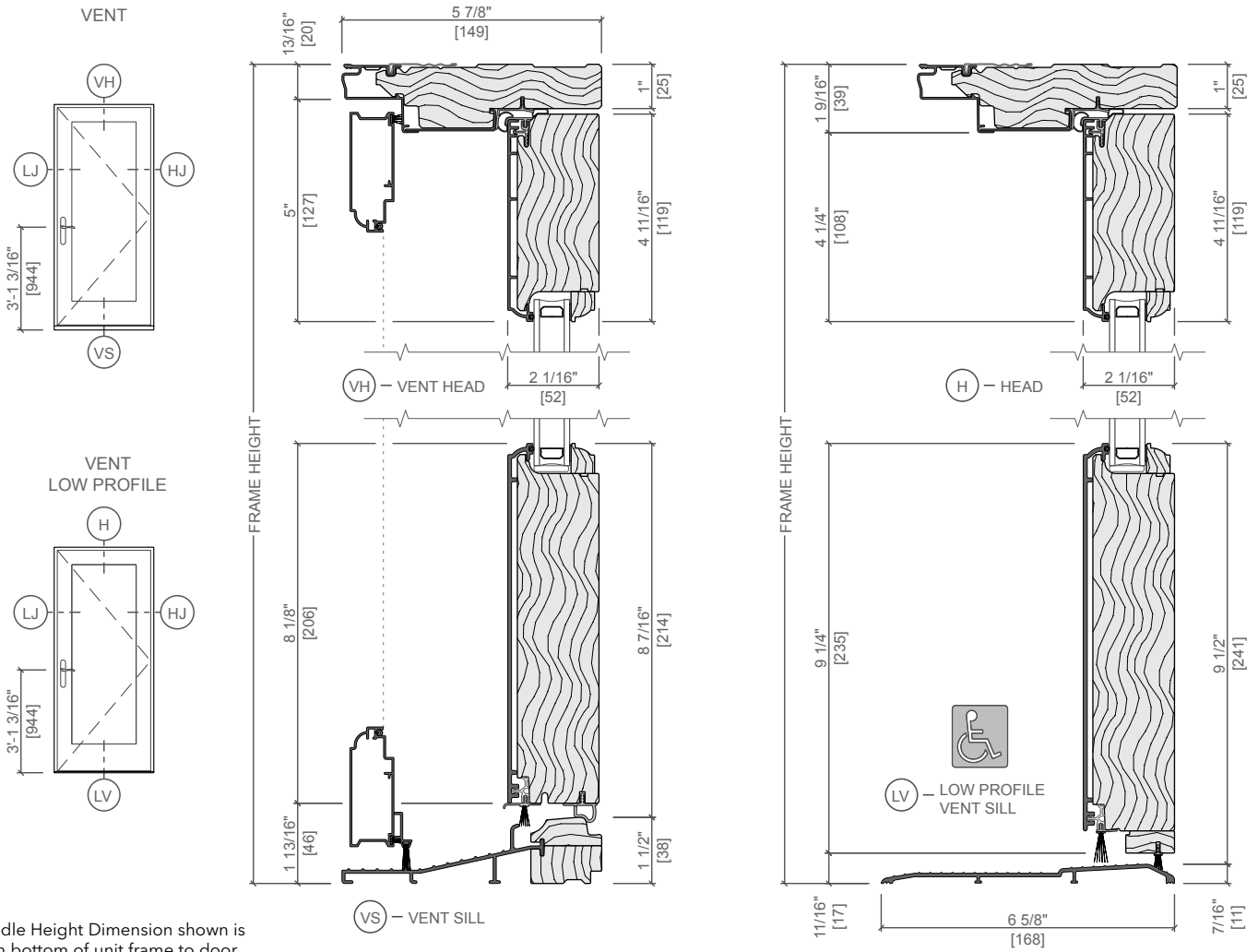
-  Alder, Douglas Fir or Pine
-  Core with Alder, Douglas Fir or Pine Veneer
-  Solid Pine
-  Oak

Scale 3" = 1' 0"
All dimensions are approximate.

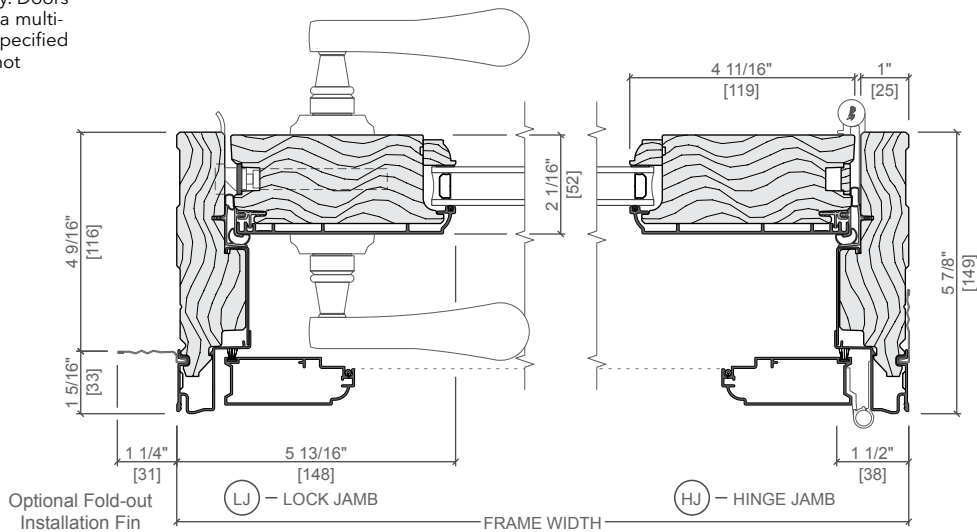


Pella® Reserve™ Traditional In-Swing Patio Door

Unit Sections - Aluminum-Clad Exterior, Ogee Exterior Profile



Handle Height Dimension shown is from bottom of unit frame to door handle. Installation method used and finished flooring conditions will cause handle height to vary. Doors not using the standard Pella multi-point lock and hardware (specified as 'No lock/No Bore') are not Hallmark certified.



Scale 3" = 1' 0"

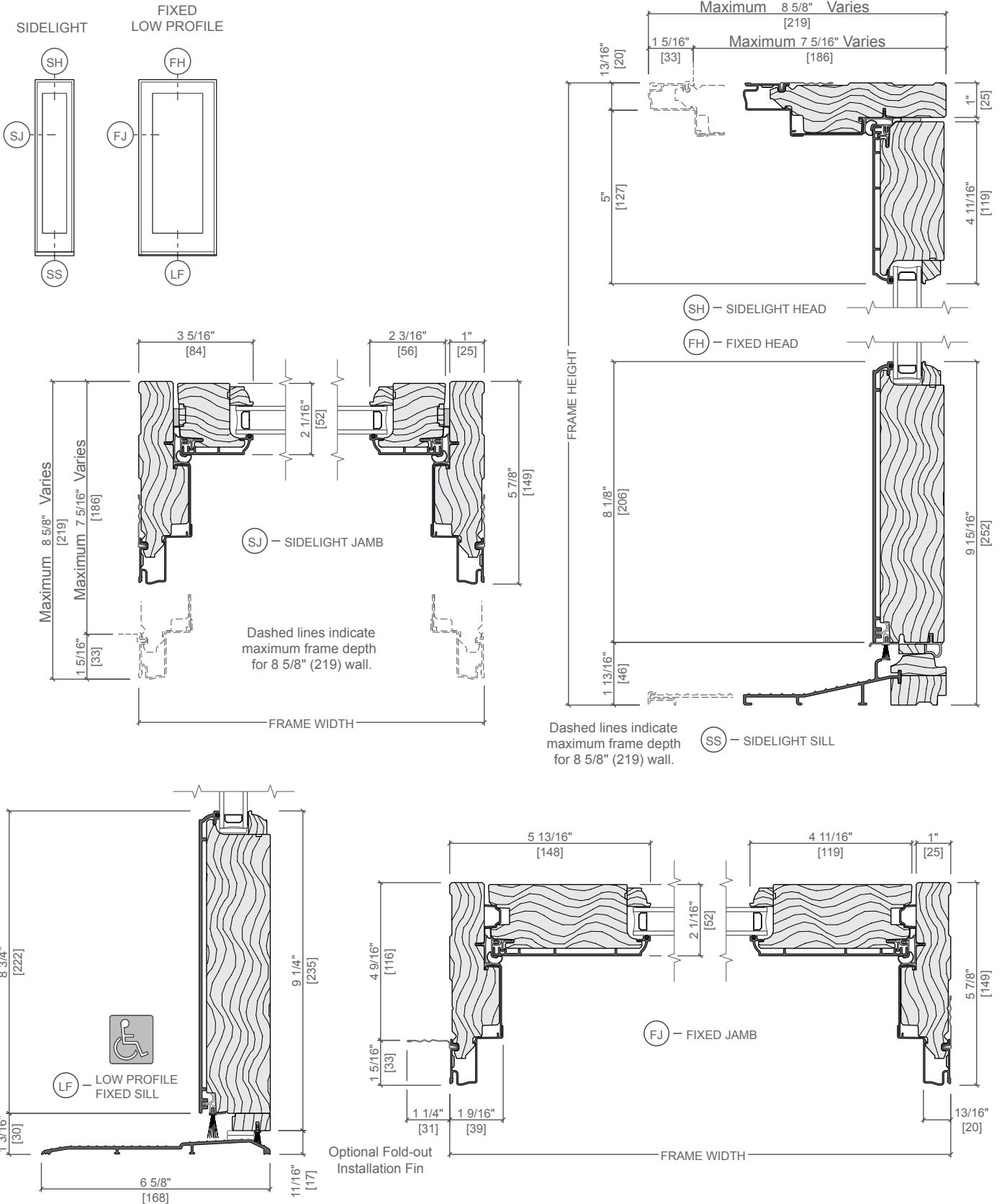
All dimensions are approximate.

Water resistance is 0 psf for doors with low profile sill



Pella® Reserve™ Traditional In-Swing Patio Door

Unit Sections - Aluminum-Clad Exterior, Ogee Exterior Profile



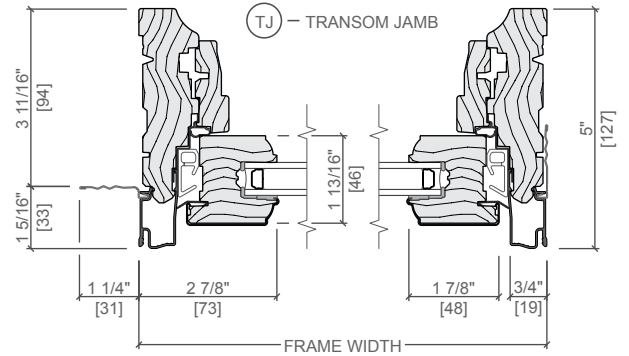
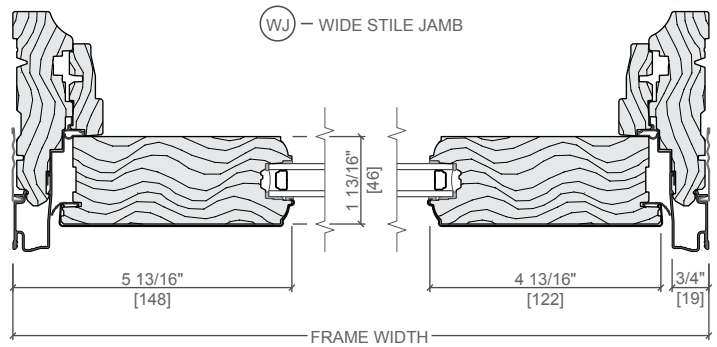
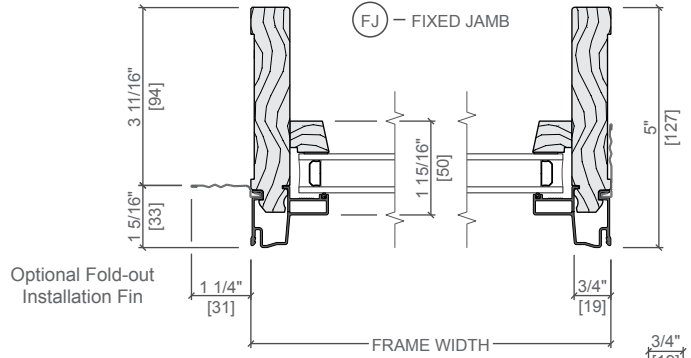
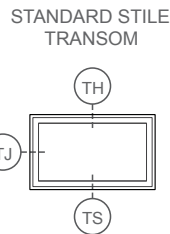
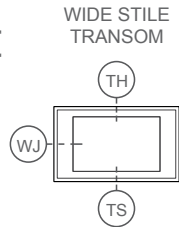
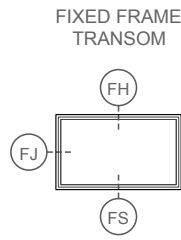
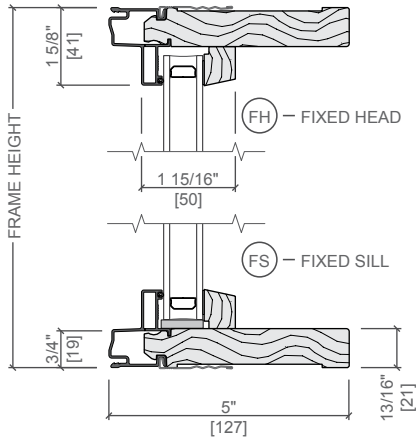
Scale 3" = 1' 0"
All dimensions are approximate.

Water resistance is 0 psf for doors with low profile sill.

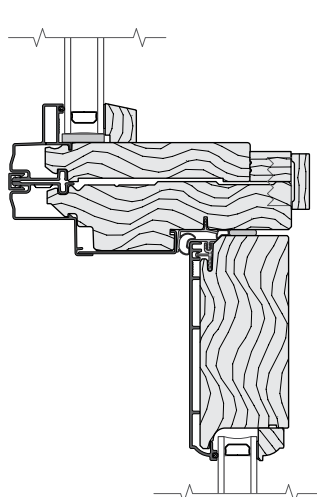


Pella® Reserve™ Traditional In-Swing Patio Door

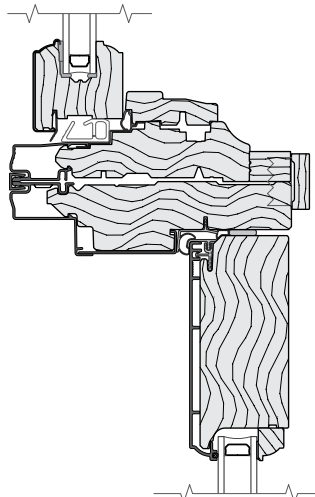
Unit Sections - Aluminum-Clad Exterior, Ogee Exterior Profile



Typical Joining Mullions



HORIZONTAL JOINING MULLION
FIXED FRAME / IN-SWING FRENCH DOOR



HORIZONTAL JOINING MULLION
CASEMENT / IN-SWING FRENCH DOOR

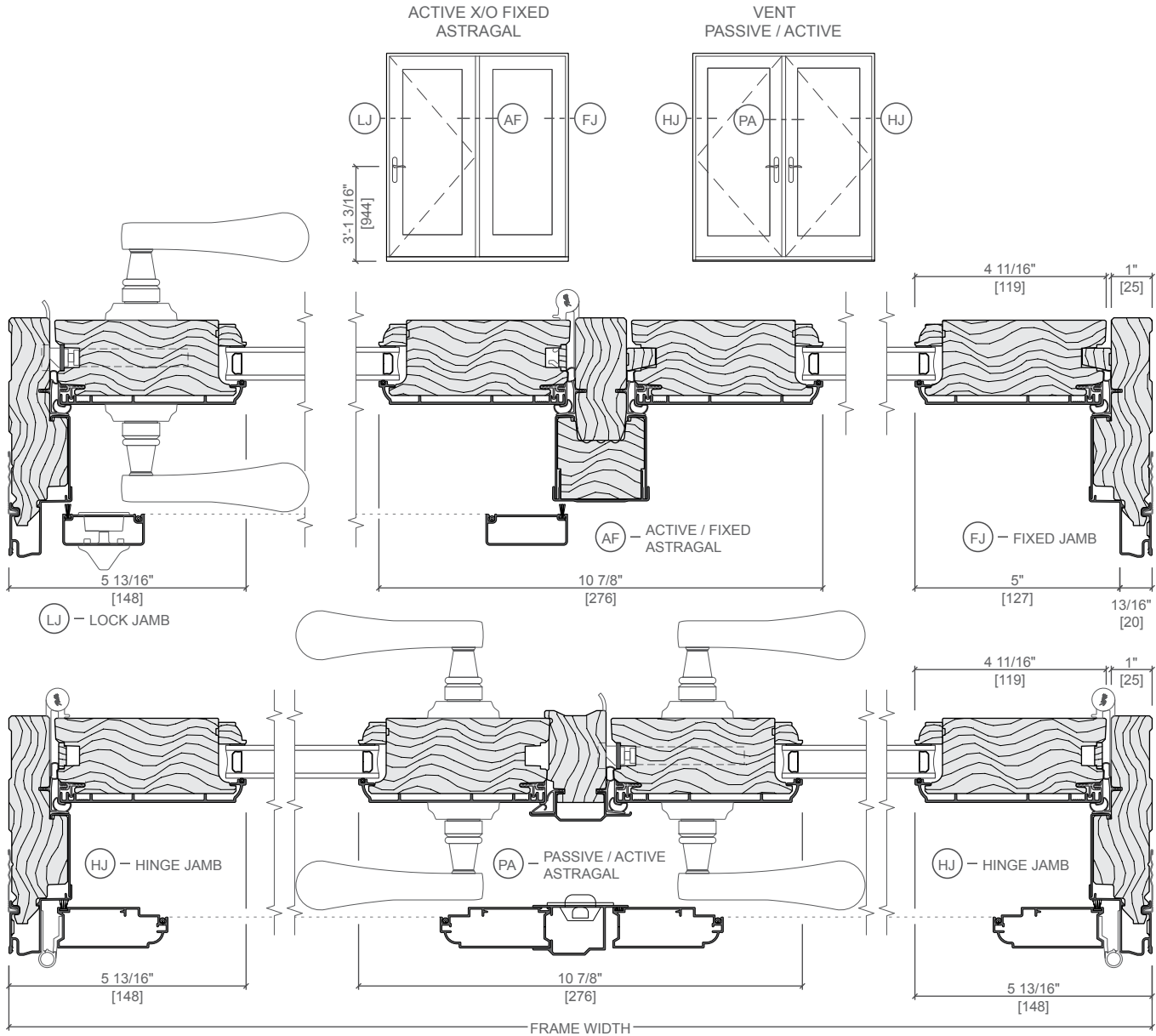
Scale 3" = 1' 0"
All dimensions are approximate.

See www.Pella.com for mullion limitations and reinforcing requirements.



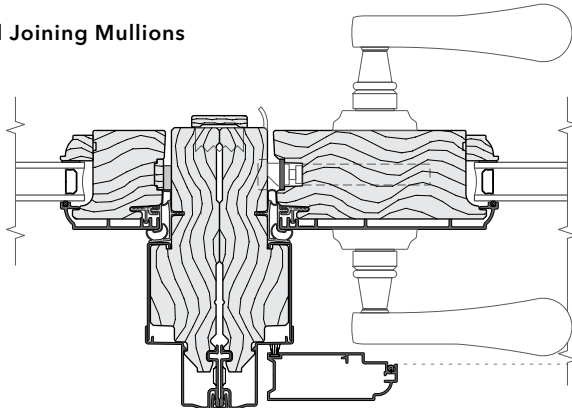
Pella® Reserve™ Traditional In-Swing Patio Door

Unit Sections - Aluminum-Clad Exterior, Ogee Exterior Profile

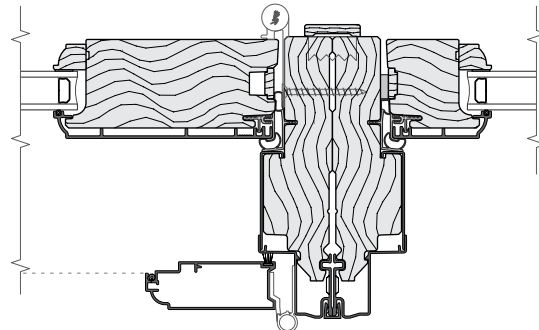


Typical Joining Mullions

- Use standard joining mullions when joining fixed door panels.
- Sidelights or fixed panels may be joined directly to operable door panels. Composite must be installed with head drip fin and installation fins per standard installation instructions.
- Structural mullion must be used for all other combinations.



VERTICAL JOINING MULLION
SIDELIGHT JAMB / LOCK JAMB



VERTICAL JOINING MULLION
HINGE JAMB / SIDELIGHT

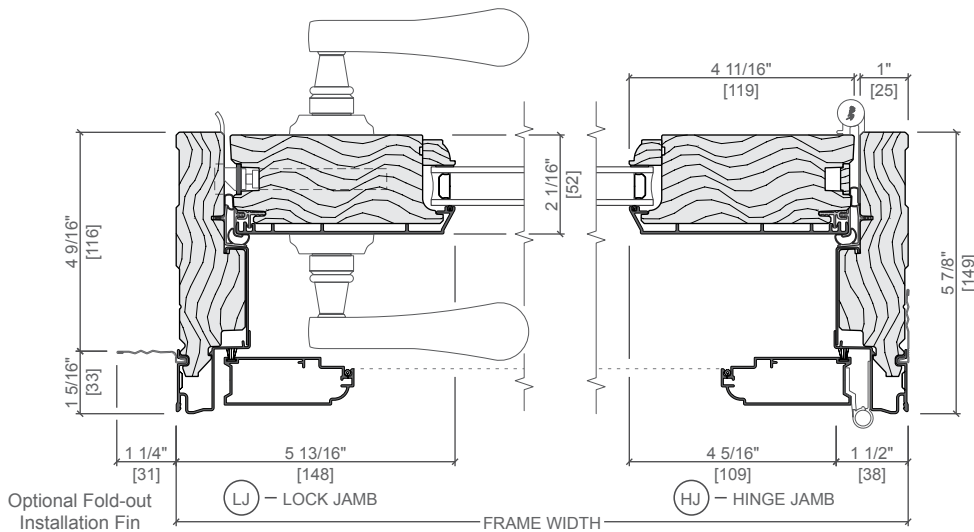
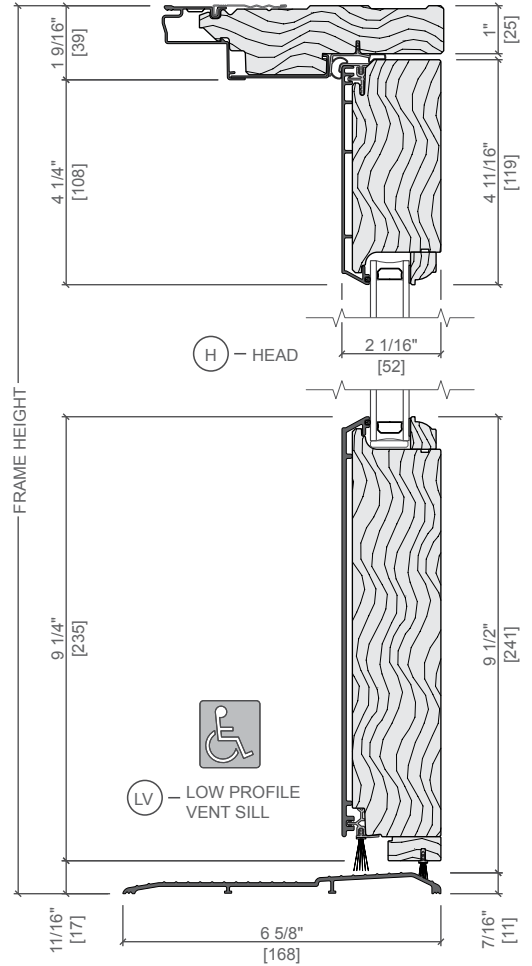
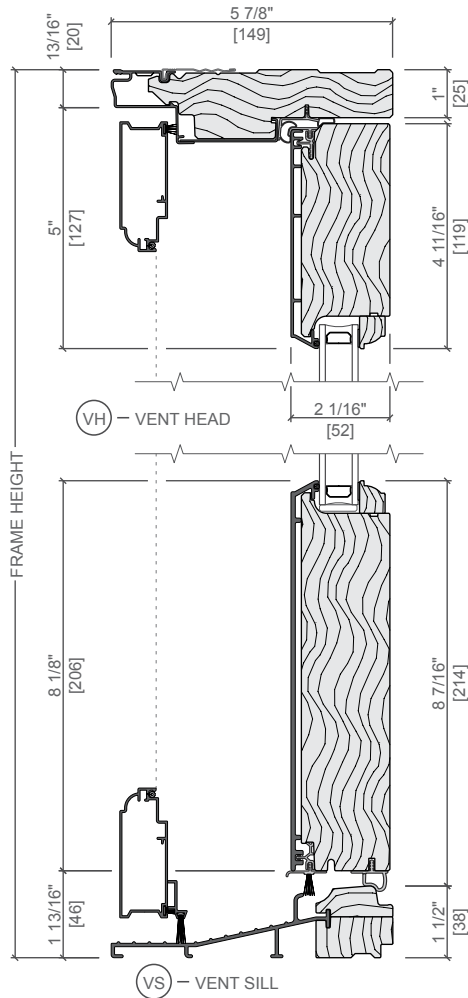
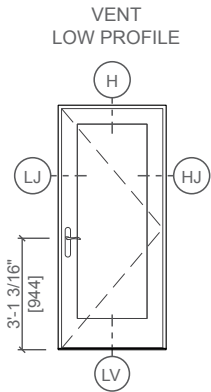
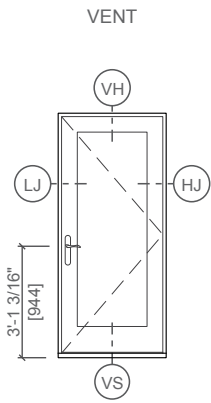
Scale 3" = 1' 0"

All dimensions are approximate.



Pella® Reserve™ Traditional In-Swing Patio Door

Unit Sections - Aluminum-Clad Exterior, Putty Glaze Exterior Profile



Scale 3" = 1' 0"

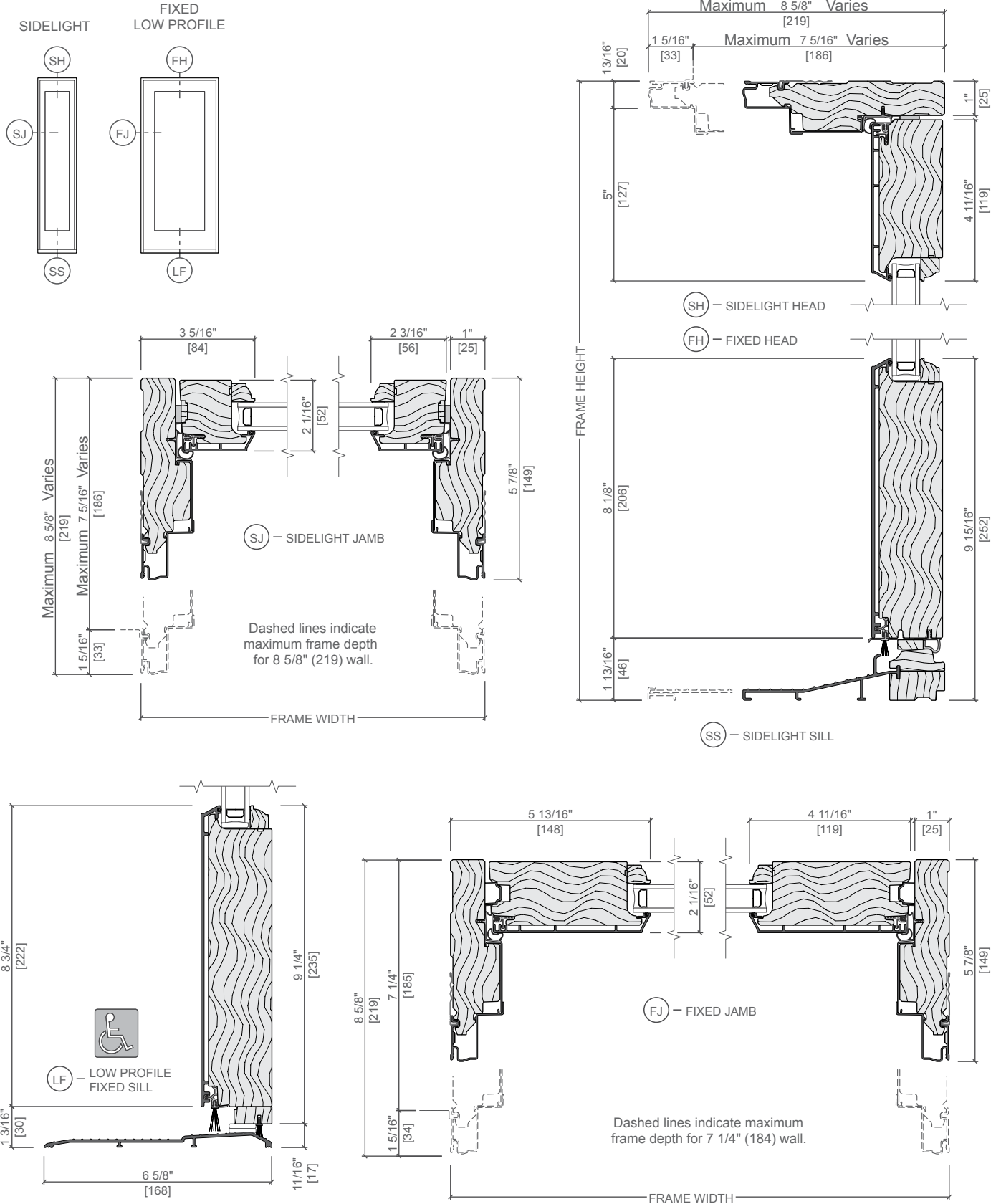
All dimensions are approximate.

Water resistance is 0 psf for doors with low profile sill



Pella® Reserve™ Traditional In-Swing Patio Door

Unit Sections - Aluminum-Clad Exterior, Putty Glaze Exterior Profile



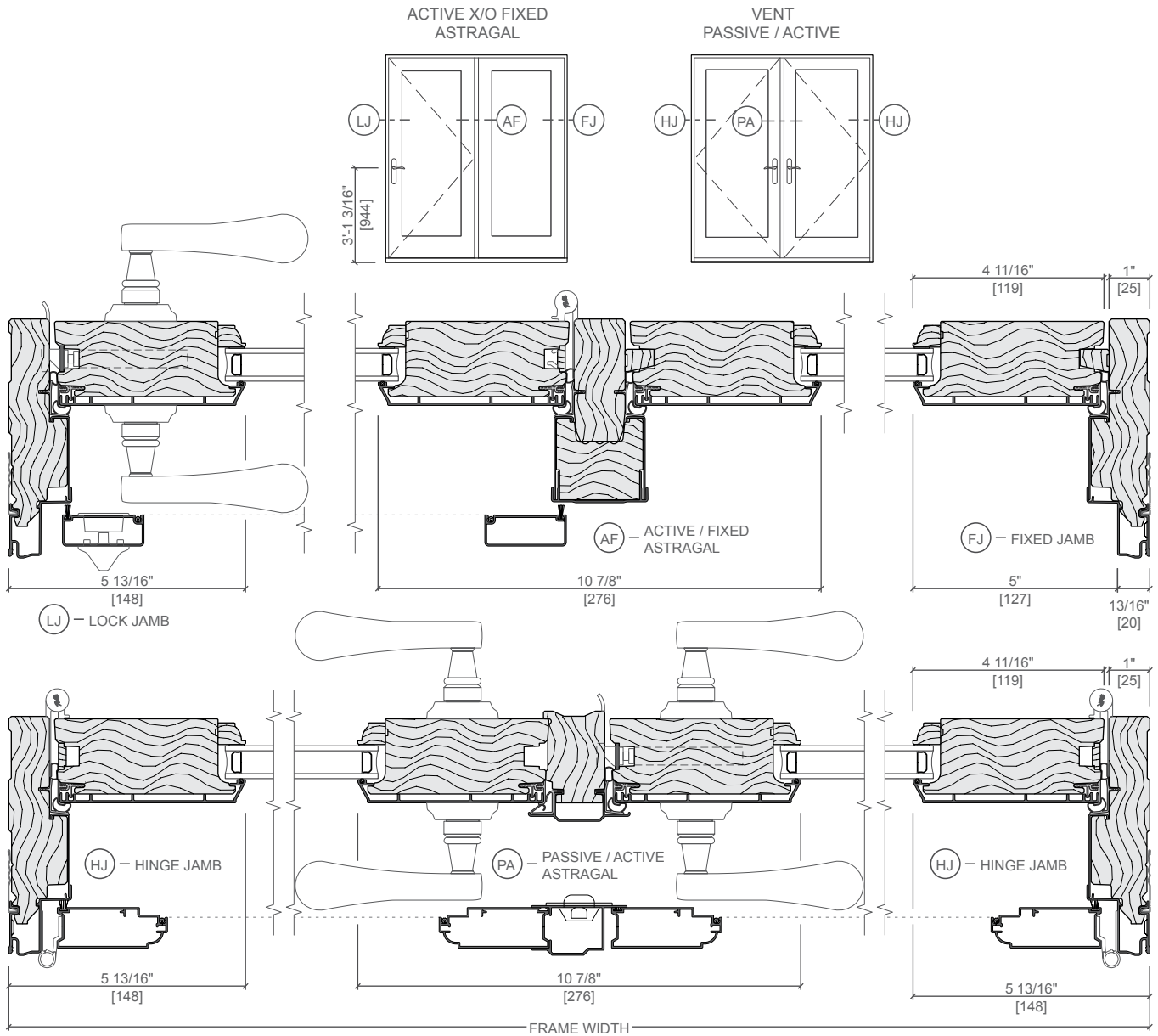
Scale 3" = 1' 0"
All dimensions are approximate.

Water resistance is 0 psf for doors with low profile sill.



Pella® Reserve™ Traditional In-Swing Patio Door

Unit Sections - Aluminum-Clad Exterior, Putty Glaze Exterior Profile

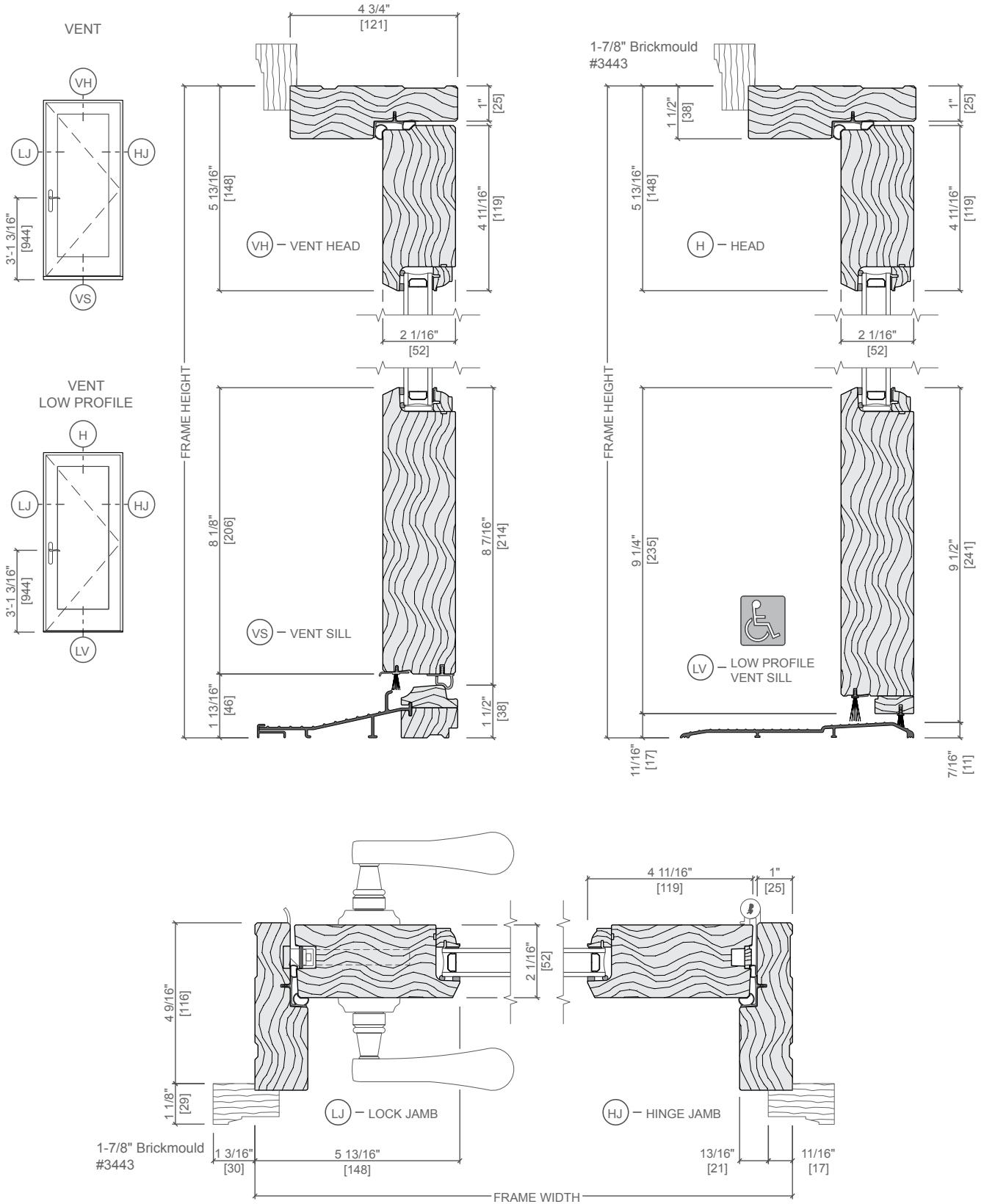


Scale 3" = 1' 0"
All dimensions are approximate.



Pella® Reserve™ Traditional In-Swing Patio Door

Unit Sections - Wood Exterior, Putty Glaze Exterior Profile

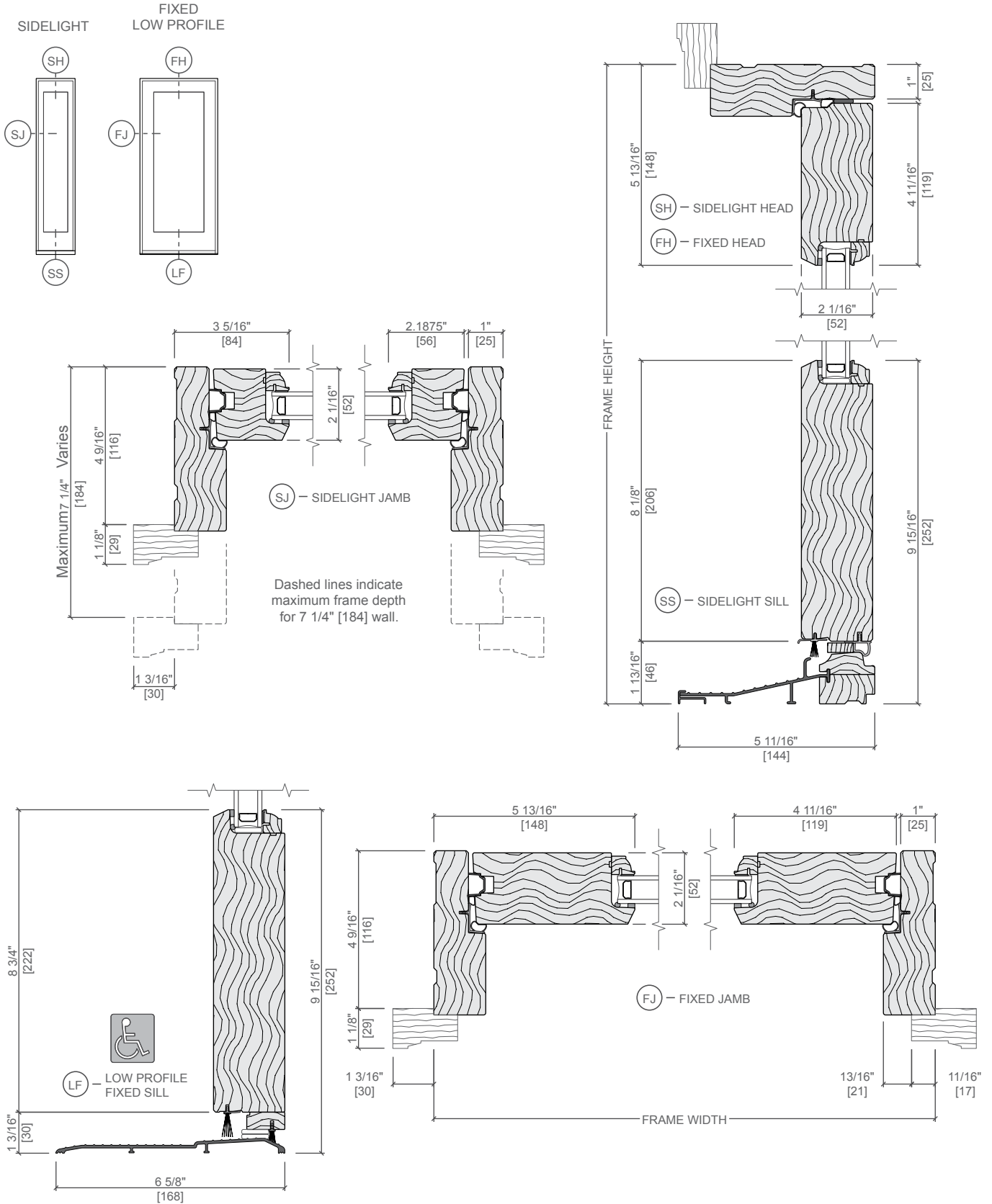


Scale 3" = 1' 0"
All dimensions are approximate.



Pella® Reserve™ Traditional In-Swing Patio Door

Unit Sections - Wood Exterior, Putty Glaze Exterior Profile



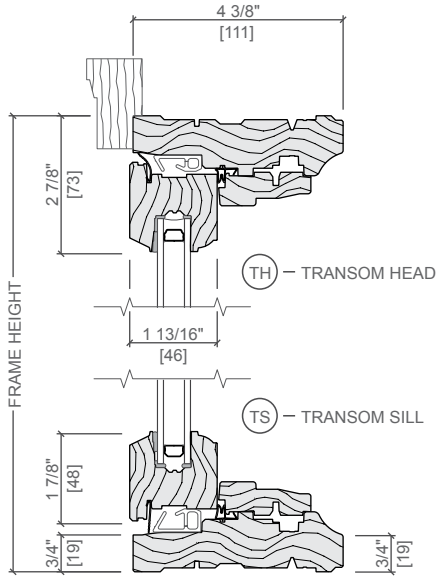
Scale 3" = 1' 0"
 All dimensions are approximate.

Water resistance is 0 psf for doors with low profile sill.

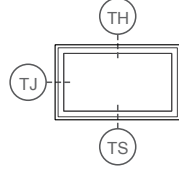


Pella® Reserve™ Traditional In-Swing Patio Door

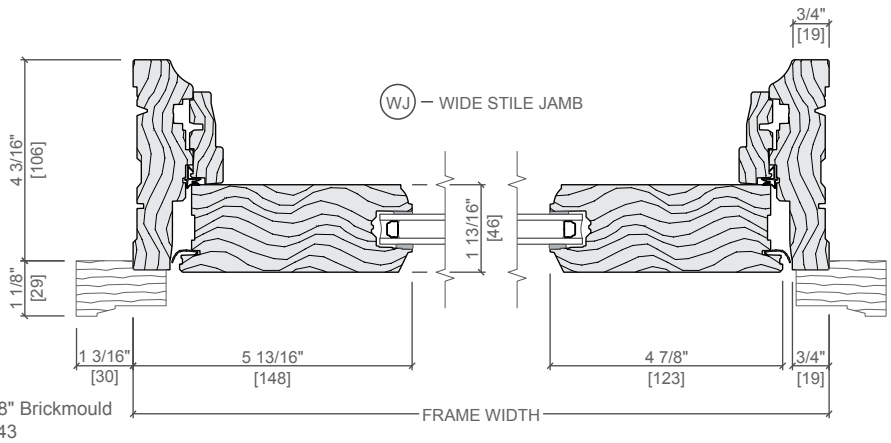
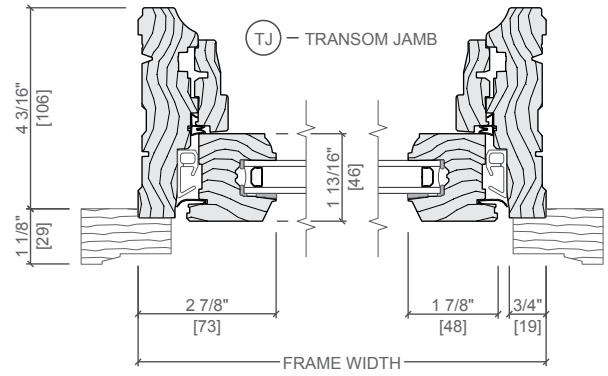
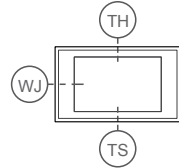
Unit Sections - Wood Exterior, Putty Glaze Exterior Profile



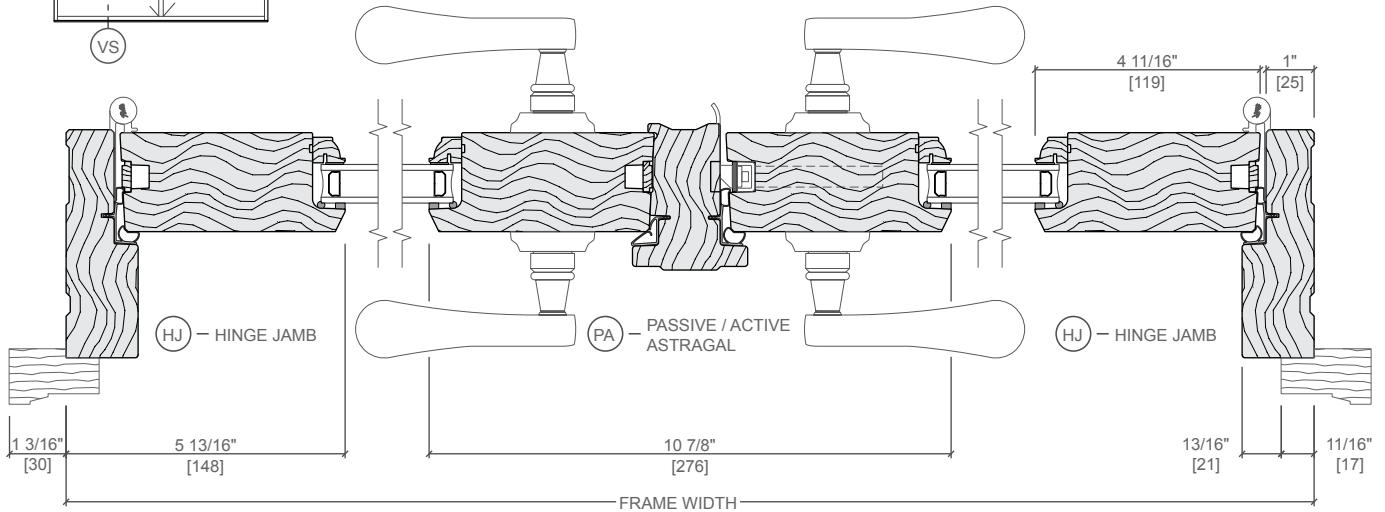
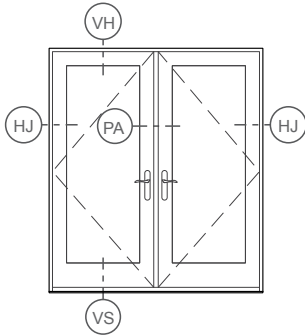
STANDARD STILE TRANSOM



WIDE STILE TRANSOM



VENT PASSIVE / ACTIVE



Scale 3" = 1' 0"
All dimensions are approximate.

See www.Pella.com for mullion limitations and reinforcing requirements.



Pella® Reserve™ Traditional In-Swing Patio Door

Unit Sections - Handle Hardware Dimensions

