



**PRECEDENT
56-57 BEACON**

PRECEDENT 60 BEACON

59 BEACON ST



NEIGHBOR'S HANDRAIL

60 BEACON ST PRECEDENT



NEIGHBOR'S HANDRAIL



SCROLL & FINIAL



56-57 BEACON ST PRECEDENT





EXISTING STAIRS - FRONT



EXISTING STAIRS & NEIGHBORING



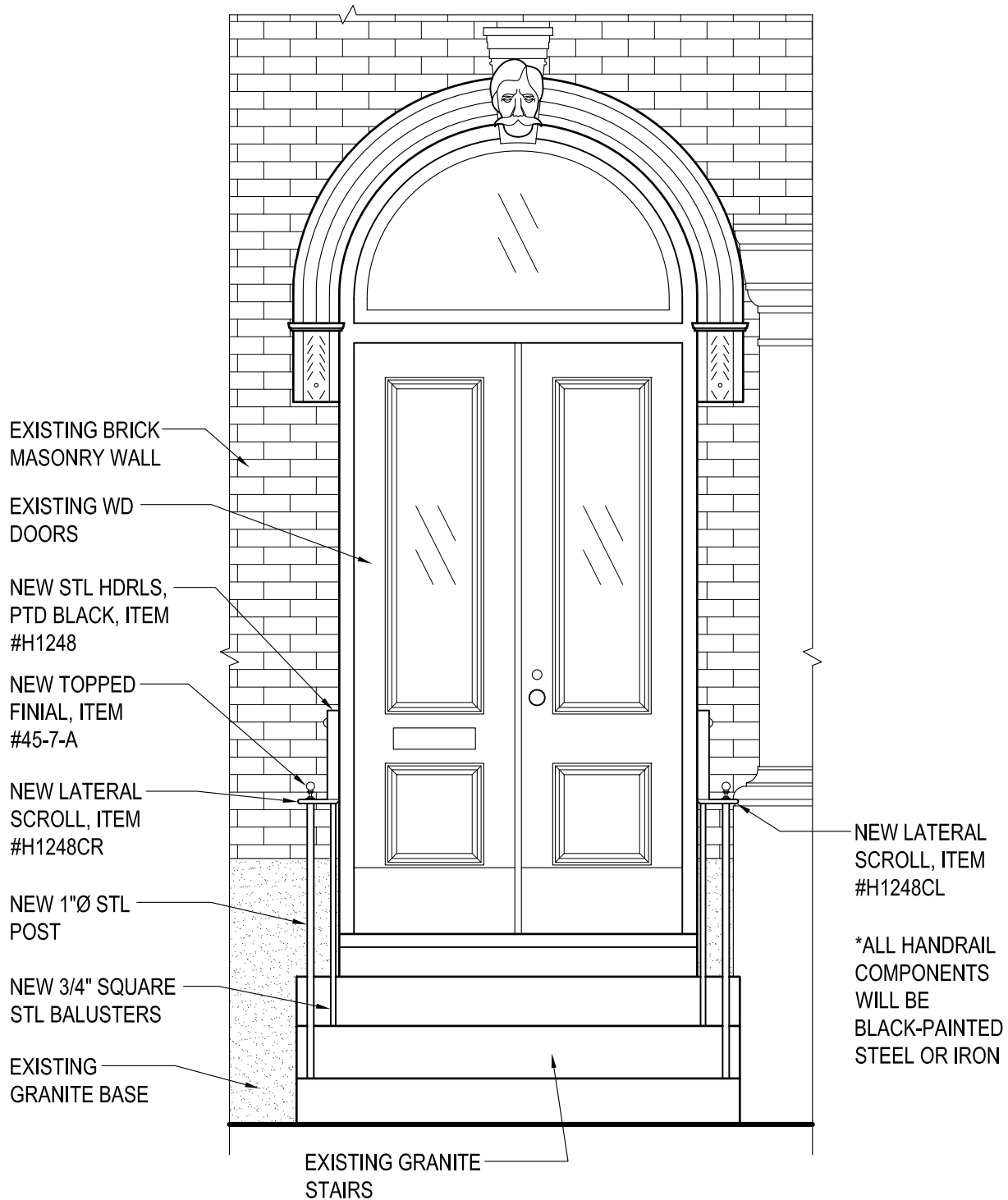
EXISTING STAIRS -

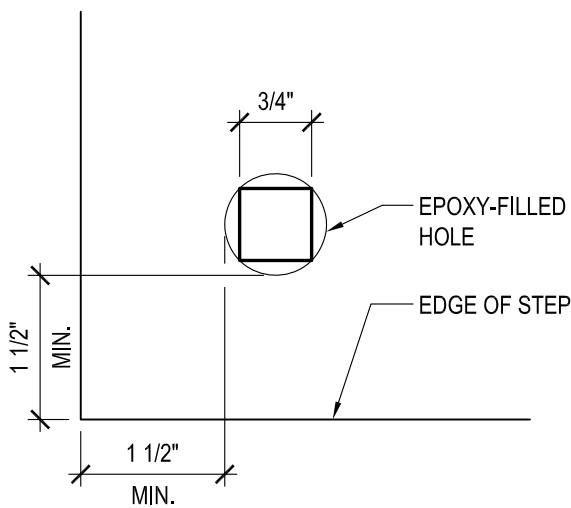


EXISTING STAIRS

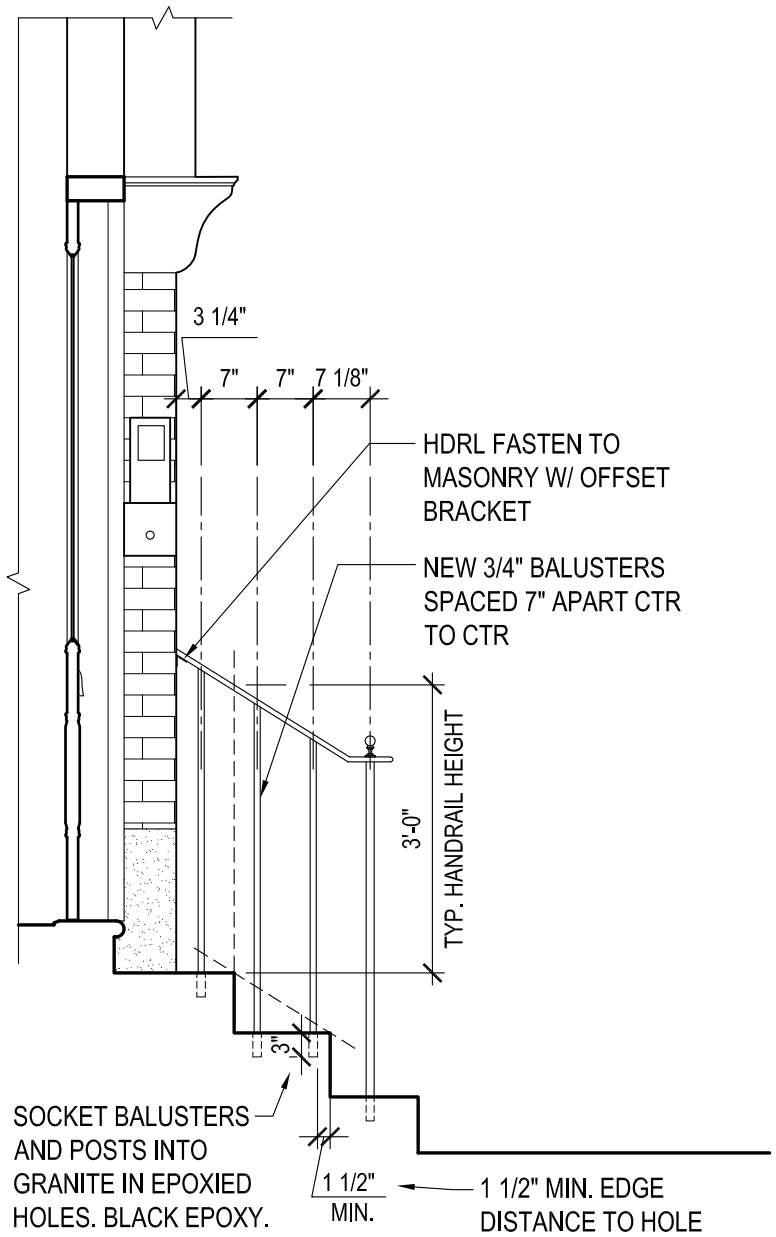


EXIST STAIRS - IRON POST CUT OFF





02 BALUSTER EDGE DISTANCE DIAGRAM
SCALE: HALF FULL



01 STAIR SECTION - PROPOSED
SCALE: 1/2" = 1'-0"

REV

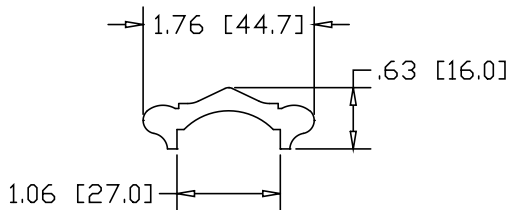
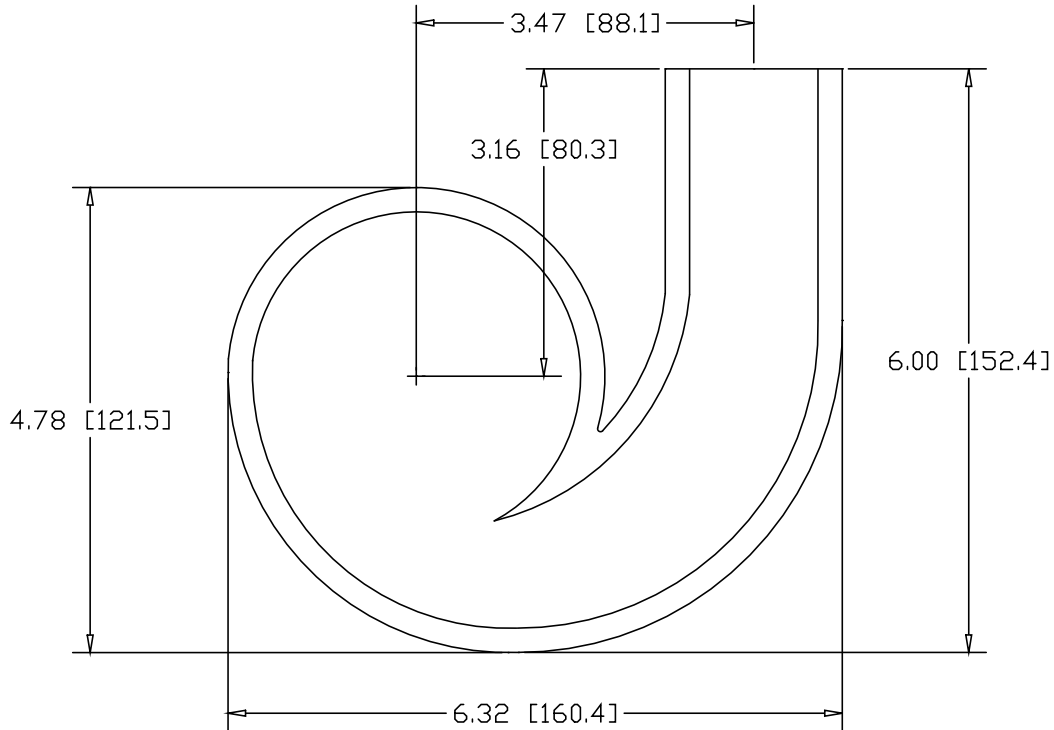
SH

DWG NO H1248CL


DWG NO

REVISIONS

REV	DESCRIPTION	DATE	APPROVED
-----	-------------	------	----------



INCHES [MILLIMETERS]

PART NAME		JUNIOR LATERAL SCROLL, LEFT HAND					
MATERIAL		MALLEABLE IRON ASTM A47					
DATE	8/22/03	 THE WAGNER COMPANIES R & B WAGNER, INC. AND J. G. BRAUN CO.					
DRAWN BY	RJF						
FINISH	AS-CAST						
SIZE	A	WEIGHT	1.58 LBS	PART NUMBER	H1248CL	REV	

Request A Catalog
Shipping
Online Bill Pay
Family Material Codes
Help!
Construction Grade Metal
Careers
Green
King Story
Koenig Eisen
Privacy



Item # 45-7-A

CastIron Post Ball, 1-1/4" Square Solid Base

Backordered

\$1.79

Each

Cast Iron Spear, Round Post Ball, 1-1/4" Square Solid Base. 1-1/4" Ball Diameter, 1-1/4" Base Diameter, 2-5/8" H, .56 lbs

DWG File	DXF File
--------------------------	--------------------------

DWG File

YOU MIGHT ALSO BE INTERESTED IN THE FOLLOWING



Cast Iron Spear, Round Ball, Solid 1-7/8" Round

45-19-C



Cast Iron Spear, Round Ball, 1" Square Solid Base

45-7

C: