

141694

Version 01
09-02-21

Little Sprouts

East Berkeley Boston
Exterior Signage



170 Liberty Street
Brockton, MA 02301
508-580-0094

SALES REPRESENTATIVE

Becca Clifford

INT. PROJECT MANAGER

Susan King

EXT. PROJECT MANAGER

Tom Jachimczyk

ACCOUNT COORDINATOR

Jane Mooney

DESIGNER

SS

SCALE 25%

SHEET
G01.00

Aluminum Pan

Quantity: 1 Single-Sided

- 1 1" Deep .080 White Aluminum Pan
- 2 Surface Applied Vinyl; DP (Latex) on IJ180 Vinyl w/ 3M Matte Lam (to Match: PMS 7741c) (Knocked Out / Contour Cut)
- 3 Installed w/ Aluminum Angle Clips



2 End View
Scale: 1:4
Fabrication

1 Elevation
Scale: 1:4
Fabrication

©2020 This document and the designs herein were produced expressly for the project and remain the property of Sign Design, Inc. They may not be reproduced or used for any other purpose without the written consent/authorization of Sign Design, Inc. The colors printed on this page are strictly representational and should not be applied or reproduced in any way unless used in connection with this project. Refer to color spec sheet for proper number match to system selections.

141694

Version 01
09-02-21

Little Sprouts

East Berkeley Boston
Exterior Signage



170 Liberty Street
Brockton, MA 02301
508-580-0094

SALES REPRESENTATIVE

Becca Clifford

INT. PROJECT MANAGER

Susan King

EXT. PROJECT MANAGER

Tom Jachimczyk

ACCOUNT COORDINATOR

Jane Mooney

DESIGNER

SS

SCALE 25%

SHEET
G02.00

©2020 This document and the designs herein were produced expressly for the project and remain the property of Sign Design, Inc. They may not be reproduced or used for any other purpose without the written consent/authorization of Sign Design, Inc. The colors printed on this page are strictly representational and should not be copied or reproduced in any way and/or used in connection with this project. Refer to color spec sheet for proper number match to system selections.

Flagmount | Non-Illuminated

Quantity: 1 Double-Sided

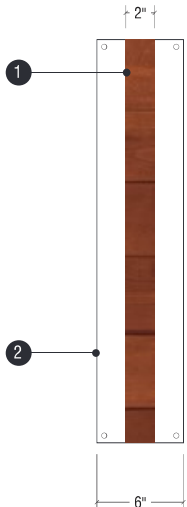
- 1 **Sign Panel:**
 - 2" Aluminum Square Tube Frame
 - .080 Aluminum Faces
 - Graphics: Digitally Printed (latex) on LJ180 w/ 3M Matte Lam Wrap all Four Sides
- 2 **Bracket:**
 - 6" W x 28" L x 1/2" Thick Aluminum Flatbar Plate
 - (2) 2" Square-Tube Supports
- 3 **Plate Mounted to Building Fascia**



3 Plan View
Scale: 1:4 Fabrication



1 Elevation
Scale: 1:4 Fabrication



2 End View
Scale: 1:4 Fabrication

143919

Version 01
10-21-21

Little Sprouts

East Berkeley Boston
Awnings



170 Liberty Street
Brockton, MA 02301
508-580-0094

SALES REPRESENTATIVE

Becca Clifford

INT. PROJECT MANAGER

Susan King

EXT. PROJECT MANAGER

Tom Jachimczyk

ACCOUNT COORDINATOR

Jane Mooney

DESIGNER

SS

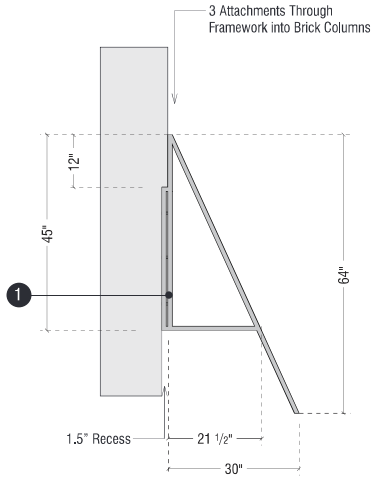
SCALE 25%

SHEET
G01.00

Awnings

Quantity: 4 Single-Sided

- 1 1" Square Tube Aluminum Frame
- 2 Sunbrella Awning (Green)
- 3 Painted Graphics (White)
- 4 Remove Existing / Install New



2 End View Fabrication
Scale: 1:4

SEE G04.01 FOR INDIVIDUAL PAINTED GRAPHICS



1 Elevation Fabrication
Scale: 1:4

©2020 This document and the designs herein were produced expressly for the project and remain the property of Sign Design, Inc. They may not be reproduced or used for any other purpose without the written consent/authorization of Sign Design, Inc. The colors printed on this page are strictly representational and should not be relied on reproduced in any way and/or used in connection with this project. Refer to color spec sheet for proper color match to system selection.

143919

Version 01
10-21-21

Little Sprouts

East Berkeley Boston
Awnings



170 Liberty Street
Brockton, MA 02301
508-580-0094

SALES REPRESENTATIVE

Becca Clifford

INT. PROJECT MANAGER

Susan King

EXT. PROJECT MANAGER

Tom Jachimczyk

ACCOUNT COORDINATOR

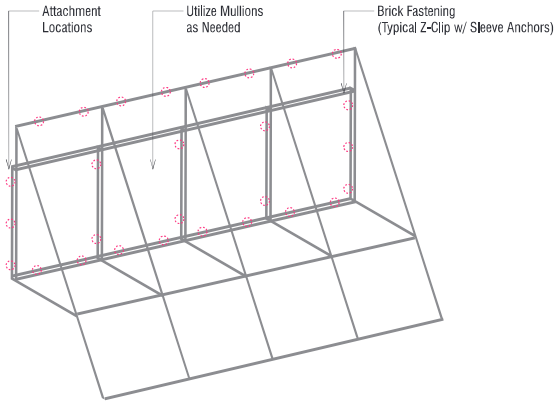
Jane Mooney

DESIGNER

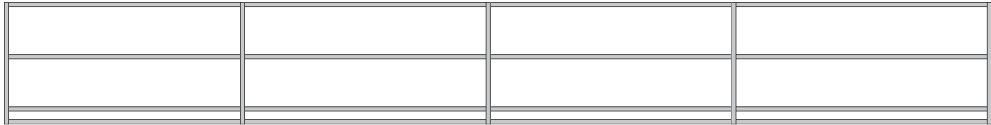
SS

SCALE

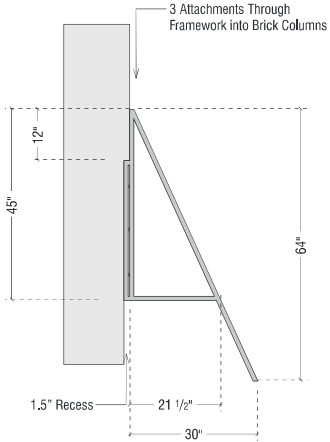
SHEET



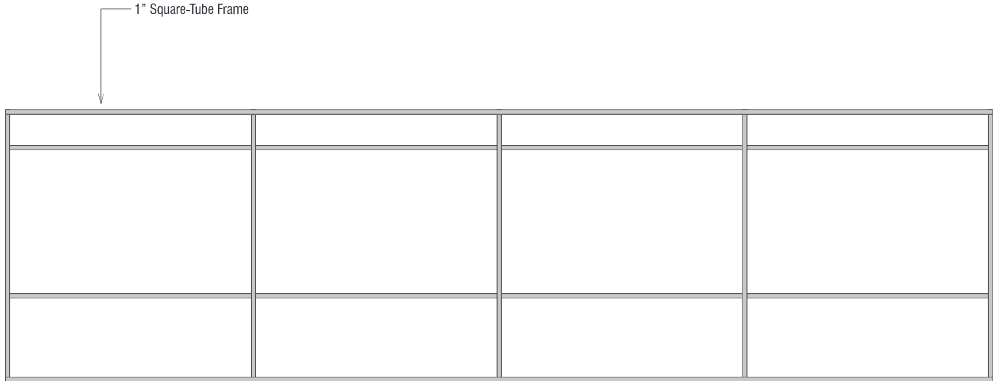
ISOMETRIC VIEW



PLAN VIEW



END VIEW



ELEVATION

©2020 This document and the designs herein were produced expressly for the project and remain the property of Sign Design, Inc. They may not be reproduced or used for any other purpose without the written consent/authorization of Sign Design, Inc. The colors printed on this page are strictly representational and should not be relied on reproduced in any way and/or used in connection with this project. Refer to color spec sheet for proper color match to system selection.

143919

Version 01
10-21-21

Little Sprouts

East Berkeley Boston
Awnings

LOC 1



232"

1 Elevation Fabrication
Scale: 1:4

LOC 2



232"

2 Elevation Fabrication
Scale: 1:4

LOC 3



233"

3 Elevation Fabrication
Scale: 1:4

LOC 4



234"

4 Elevation Fabrication
Scale: 1:4



170 Liberty Street
Brockton, MA 02301
508-580-0094

SALES REPRESENTATIVE

Becca Clifford

INT. PROJECT MANAGER

Susan King

EXT. PROJECT MANAGER

Tom Jachimczyk

ACCOUNT COORDINATOR

Jane Mooney

DESIGNER

SS

SCALE 25%

SHEET
G01.02

©2020 This document and the designs herein were produced expressly for the project and remain the property of Sign Design, Inc. They may not be reproduced or used for any other purpose without the written consent/authorization of Sign Design, Inc. The colors printed on this page are strictly representational and should not be relied on reproduced in any way and/or used in connection with this project. Refer to color spec sheet for proper number match to system selections.

143919

Version 01
10-21-21

Little Sprouts

East Berkeley Boston
Awnings



170 Liberty Street
Brockton, MA 02301
508-580-0094

SALES REPRESENTATIVE

Becca Clifford

INT. PROJECT MANAGER

Susan King

EXT. PROJECT MANAGER

Tom Jachimczyk

ACCOUNT COORDINATOR

Jane Mooney

DESIGNER

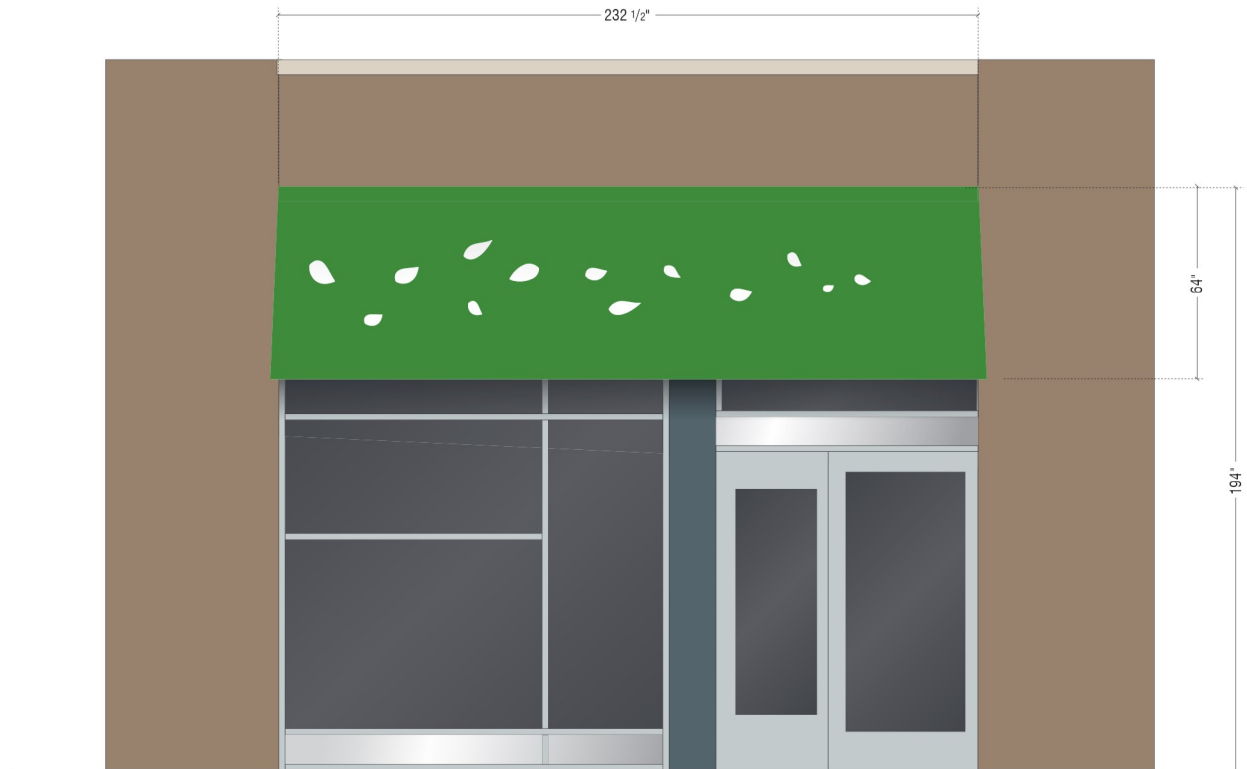
SS

SCALE 10%

**SHEET
ELEVATION**

©2020 This document and the designs herein were produced expressly for the project and remain the property of Sign Design, Inc. They may not be reproduced or used for any other purpose without the written consent/authorization of Sign Design, Inc. The colors printed on this page are strictly representational and should not be copied or reproduced in any way without credit in connection with this project. Refer to color spec sheet for proper number match to a system selection.

LOCATION 4 DETAIL



143919

Version 01
10-21-21

Little Sprouts

East Berkeley Boston
Awnings



170 Liberty Street
Brockton, MA 02301
508-580-0094

SALES REPRESENTATIVE
Becca Clifford

INT. PROJECT MANAGER
Susan King

EXT. PROJECT MANAGER
Tom Jachimczyk

ACCOUNT COORDINATOR
Jane Mooney

DESIGNER
SS

SCALE 10%

SHEET
ELEVATION

©2020 This document and the designs herein were produced expressly for this project and remain the property of Sign Design, Inc. They may not be reproduced or used for any other purpose without the written consent/authorization of Sign Design, Inc. The colors printed on this page are strictly representational and should not be copied or reproduced in any way and/or used in connection with this project. Refer to color specification for proper number match and system selection.