



THE LANGHAM HOTEL

Dyer Brown Architects
dyerbrown.com

One Winthrop Square
Boston, MA 02110-1209

T 617 426 1680
F 617 426 2187

976 Brady Avenue, NW #100
Atlanta, GA 30318



BOSTON LANDMARKS COMMISSION

November 15, 2021

PREPARED BY

Dyer Brown Architects
One Winthrop Square
Boston, MA 02110





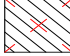



EXISTING RESERVE TERRACE - PEARL STREET

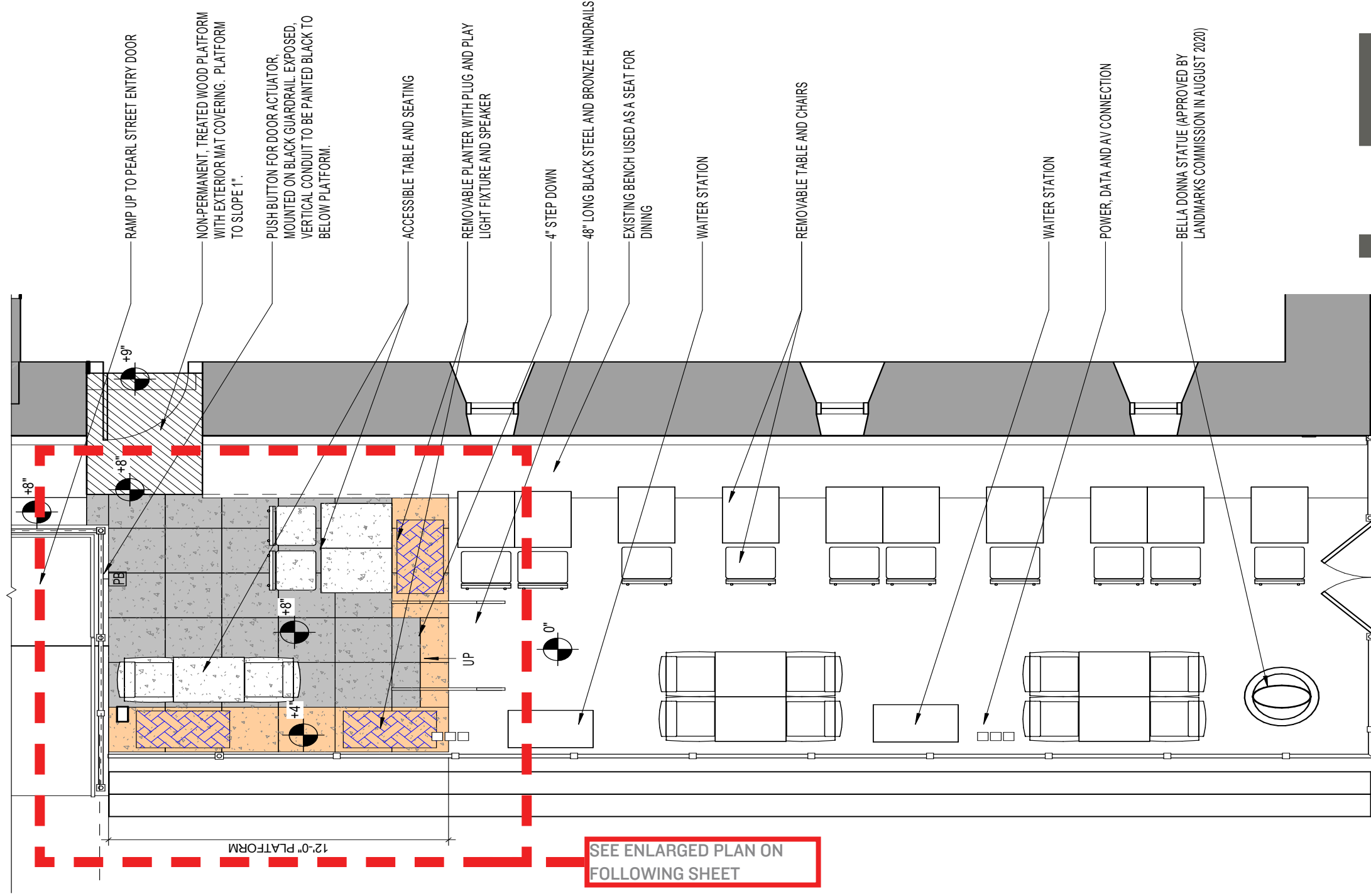


EXISTING MCKINLEY TERRACE IN BACKGROUND

PEARL STREET RESERVE TERRACE PLAN

-  +4" ELEVATION 24" X 24" CONCRETE PAVERS ON ADJUSTABLE PEDESTAL
MFR: WESTILE COLOR: LIMESTONE MATCH
-  +8" ELEVATION 24" X 24" CONCRETE PAVERS ON ADJUSTABLE PEDESTAL
MFR: WESTILE COLOR: LIMESTONE MATCH
-  NON-PERMANENT TREATED WOOD PLATFORM WITH WALK-OFF MAT COVERING
-  39" 1/2"WIDE X 19 3/4" DEEP X 19 3/4" TALL ZINC DIPPED PLANTER WITH SOLAR POWERED TWINKLE LIGHTS.


TERRACE PLATFORM LEGEND



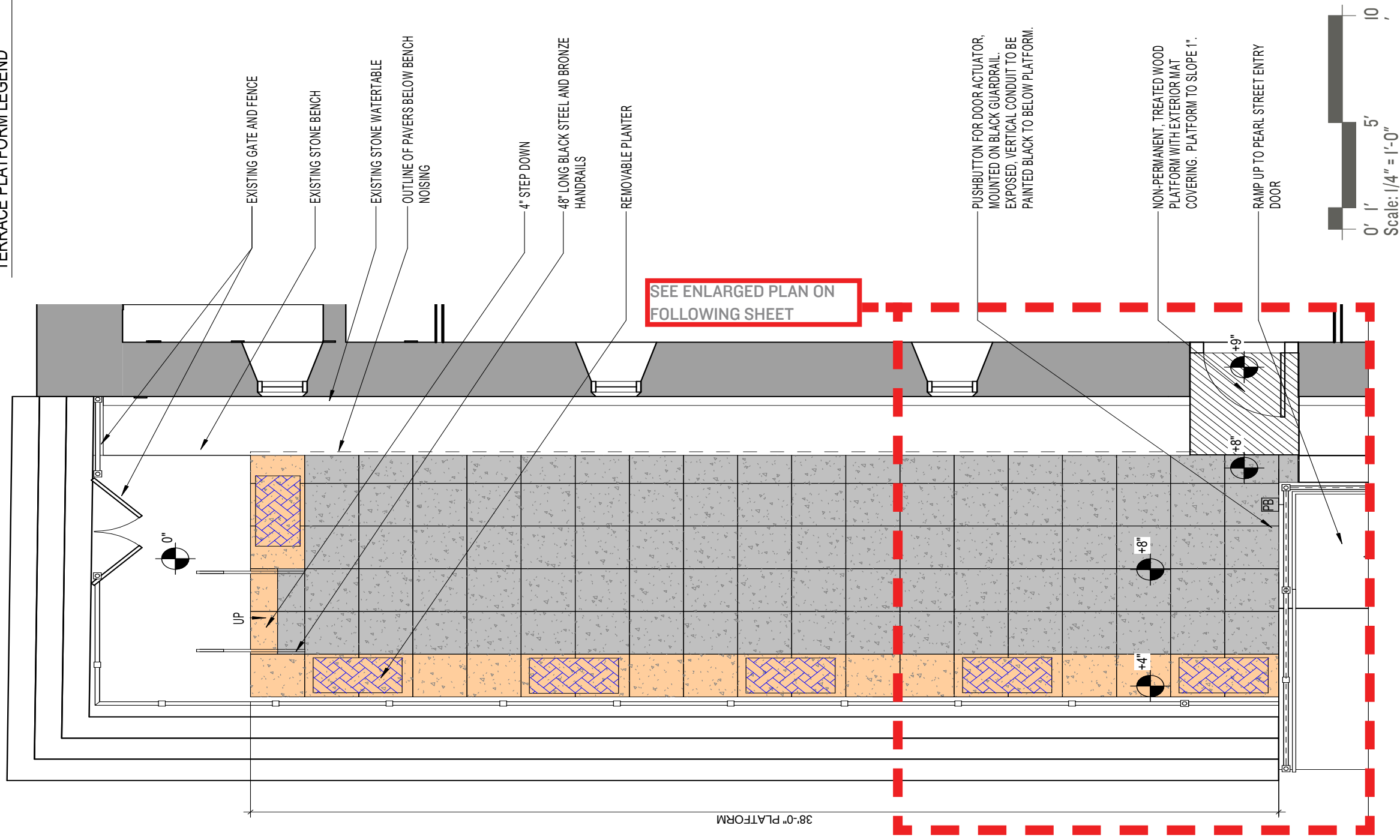
NOTE: 32 SEATS PROVIDED X 5% = 1.6 SEATS MUST BE ACCESSIBLE



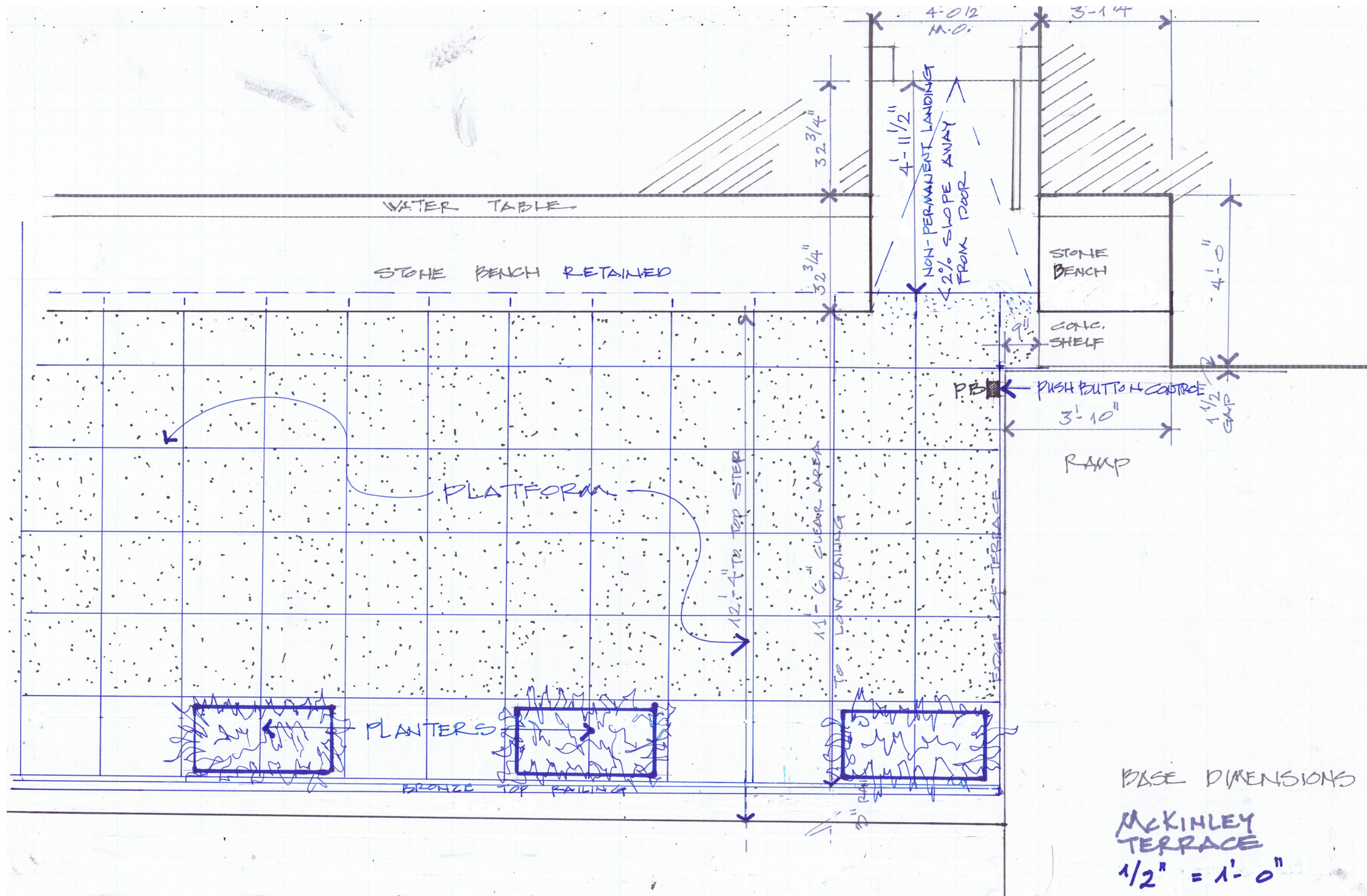
PEARL STREET MCKINLEY TERRACE PLAN

- TERRACE PLATFORM LEGEND**
-  +4" ELEVATION 24" X 24" CONCRETE PAVERS ON ADJUSTABLE PEDESTAL
MFR: WESTILE COLOR: LIMESTONE MATCH
 -  +8" ELEVATION 24" X 24" CONCRETE PAVERS ON ADJUSTABLE PEDESTAL
MFR: WESTILE COLOR: LIMESTONE MATCH
 -  NON-PERMANENT TREATED WOOD PLATFORM WITH WALK-OFF MAT COVERING
 -  39 1/2" WIDE X 19 3/4" DEEP X 19 3/4" TALL ZINC DIPPED PLANTER WITH SOLAR POWERED TWINKLE LIGHTS.

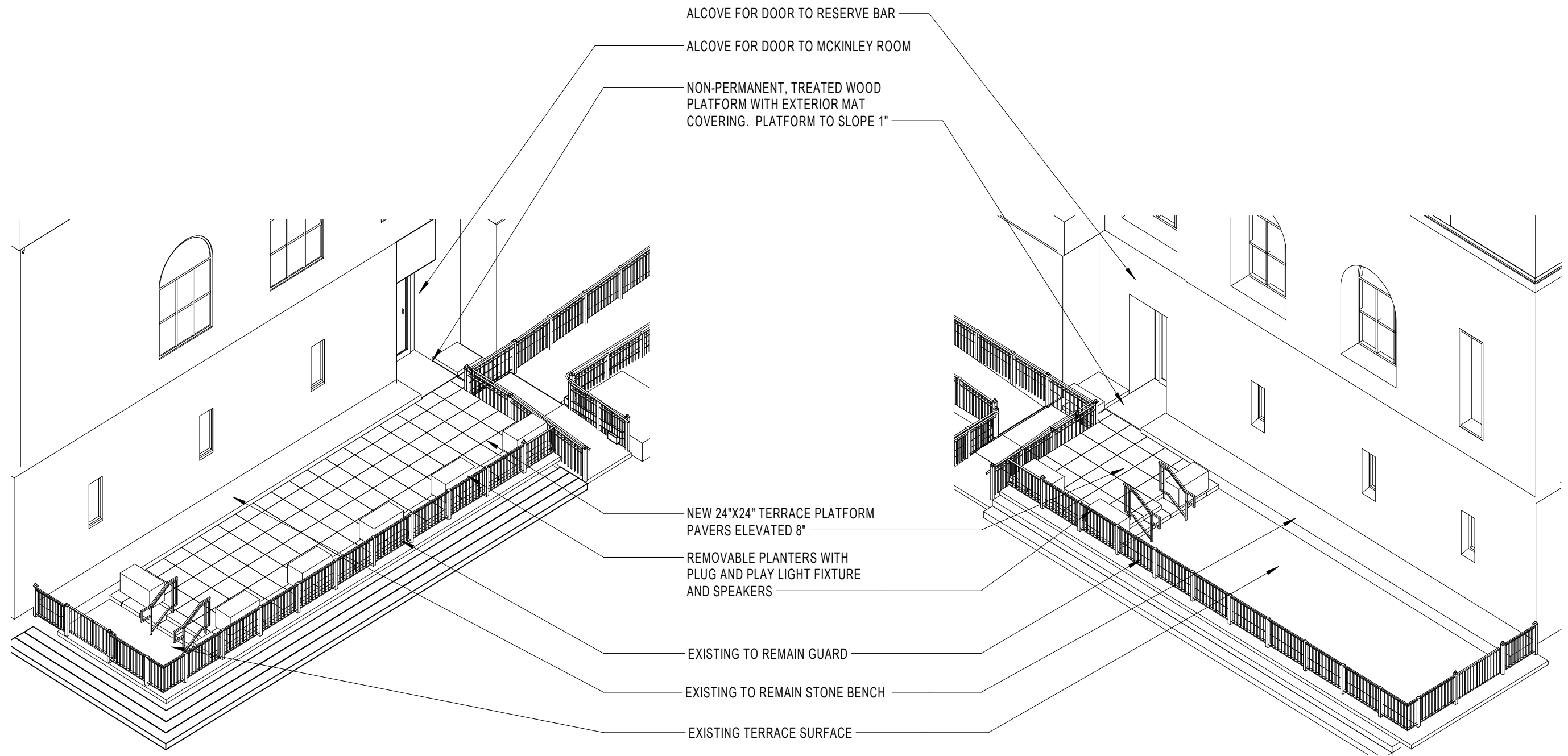
TERRACE PLATFORM LEGEND



- EXISTING GATE AND FENCE
- EXISTING STONE BENCH
- EXISTING STONE WATERTABLE
- OUTLINE OF PAVERS BELOW BENCH NOISING
- 4" STEP DOWN
- 48" LONG BLACK STEEL AND BRONZE HANDRAILS
- REMOVABLE PLANTER
- PUSHBUTTON FOR DOOR ACTUATOR, MOUNTED ON BLACK GUARDRAIL. EXPOSED, VERTICAL CONDUIT TO BE PAINTED BLACK TO BELOW PLATFORM.
- NON-PERMANENT, TREATED WOOD PLATFORM WITH EXTERIOR MAT COVERING. PLATFORM TO SLOPE 1".
- RAMP UP TO PEARL STREET ENTRY DOOR



PEARL STREET MCKINLEY TERRACE ENLARGED PLAN



② THE MCKINLEY TERRACE WITH PLATFORM

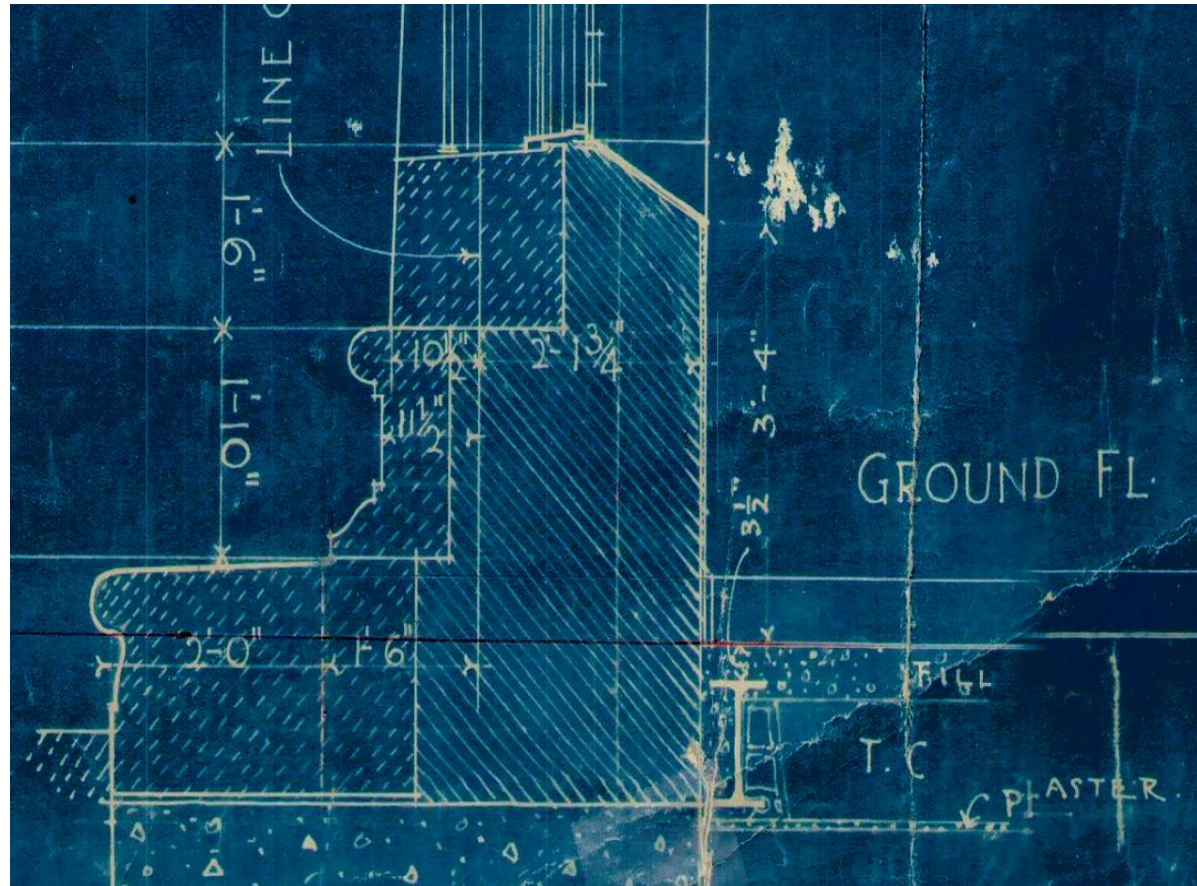
① THE RESERVE TERRACE WITH PLATFORM



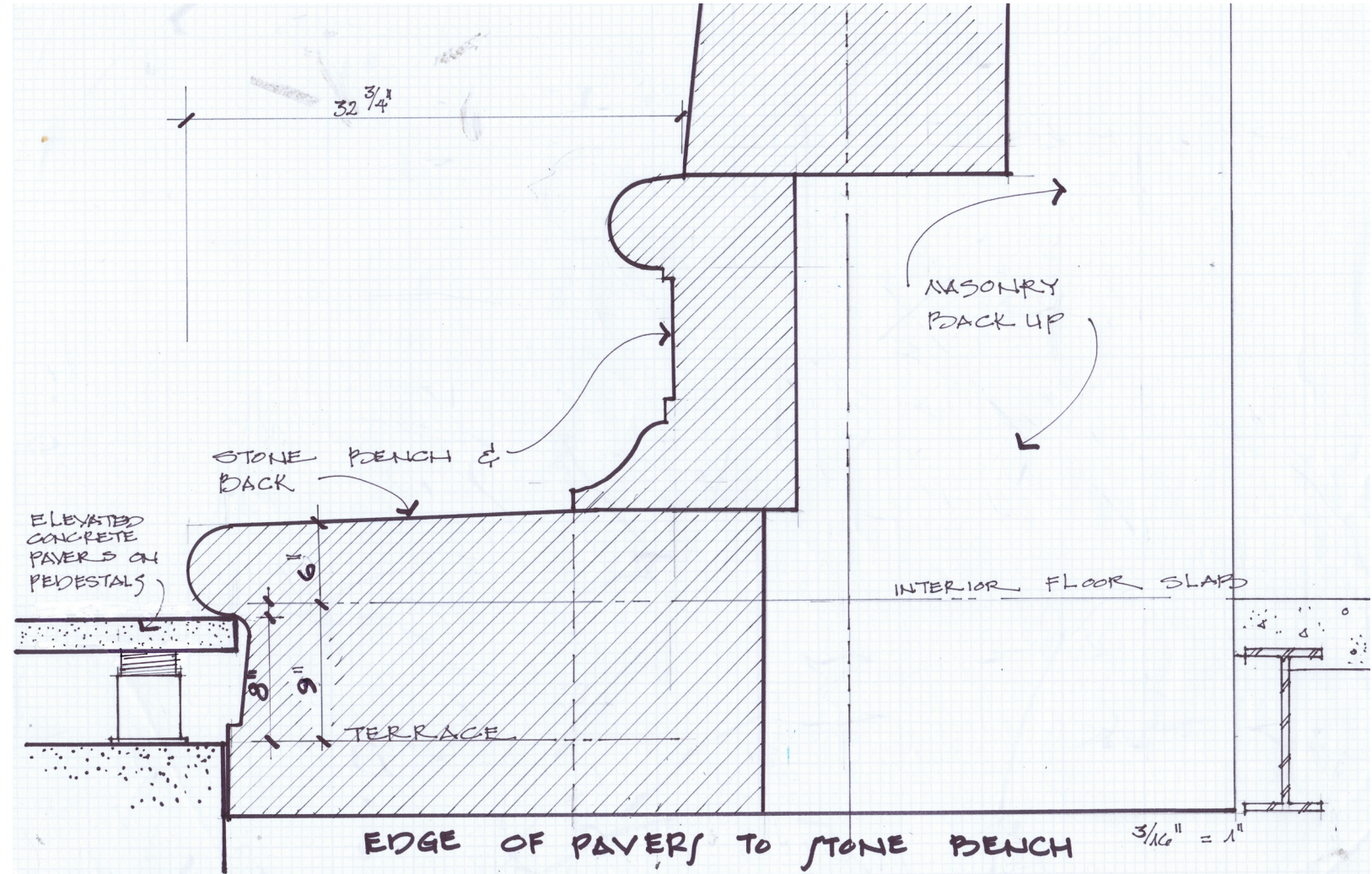
NEW PEARL STREET ENTRANCE WITH HANDRAILS AND RAMPS- BIRD'S EYE VIEW (PLANTERS NOT SHOWN)



NEW PEARL STREET ENTRANCE WITH HANDRAILS AND RAMPS - STREET VIEW (PLANTERS NOT SHOWN)



ENLARGED STONE BENCH DETAIL AT TERRACES
1920 ARCHITECT'S DESIGN DRAWING FROM PEARL STREET FAÇADE SECTION



ORIGINAL BENCH DETAIL (RIGHT), BENCH DETAIL WITH PAVERS (LEFT)

PLAZA PAVER™ SELECTIONS :: CLASSIC SERIES

Ballast Paver

Plaza Paver

Pedestal

Photos

The Westile Classic Series Plaza Pavers are offered with the following color selections and are available in a variety of finishes. Choose the color and finish combination you desire to create the look you want! You may view a larger sample by clicking on any of the colors or finishes below.

Colors

(Shown in Architectural Granite Finish)



Finishes

(Shown in Natural Color)



Plaza Paver™ Color Selection Galleries
Western Series Classic Series

PEDESTALS AND ACCESSORIES

SCREWJACK ADJUSTABLE PEDESTALS

For use in level system



Model B1
adjusts from 1-1/4" - 2"
with 3/16" spacer



Model B2
adjusts from 2" - 3"
with 3/16" spacer



Model B3
adjusts from 3" - 4-3/4"
with 3/16" spacer



Model B4
adjusts from 4-3/4" - 7-3/4"
with 3/16" spacer



Model C4
coupler adds 2-1/2" - 4"
in height to B3 & B4



Model LD4
provides 0" - 1/4" slope
compensation



Model B11
shim adds 1/16"
for fine tune adjustment



Model PS1
adds 1/8"



Model HD25
adds 1/4"



Model HD50
adds 1/2"



Model HD75
adds 3/4"

OTHER ACCESSORIES



Model VT316
available in 3/16"



Probst
slab grabber adjustable from 15" to 24"



PEARL STREET PLATFORM MOCK-UP PHOTOS



EXISTING REMOVABLE PLANTER (LEFT), PROPOSED REMOVABLE PLANTER (RIGHT)



PLANTER LIGHT -
BK LIGHTING DELTA
STAR LED
FINISH: BRONZE



PLANTER SPEAKER
SONANCE LANDSCAPE LS47SAT



RESERVE TERRACE CHAIR 1
FRAME: POWDER COATED ALUMI-
NUM- BRONZE COLOR
FIBERS: CARAMEL AND LIMESTONE



RESERVE TERRACE CHAIR 2
FRAME: POWDER COATED
ALUMINUM - LAVA COLOR
FIBERS: TUNGSTEN COLOR

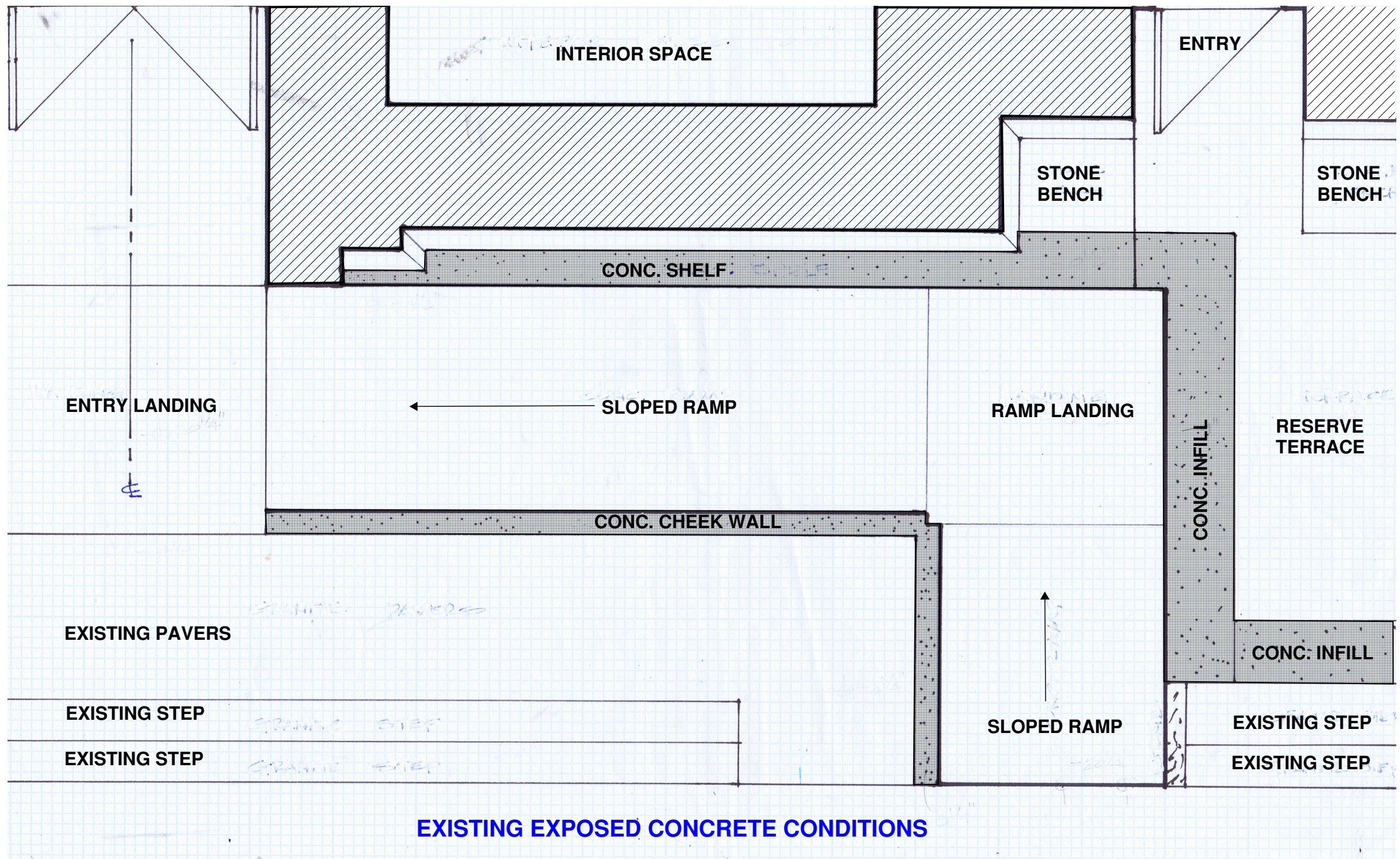


RESERVE TERRACE TABLE
BASE: DARK BRONZE MDB POWDER COAT
CORIAN TOP - SAGEBRUSH

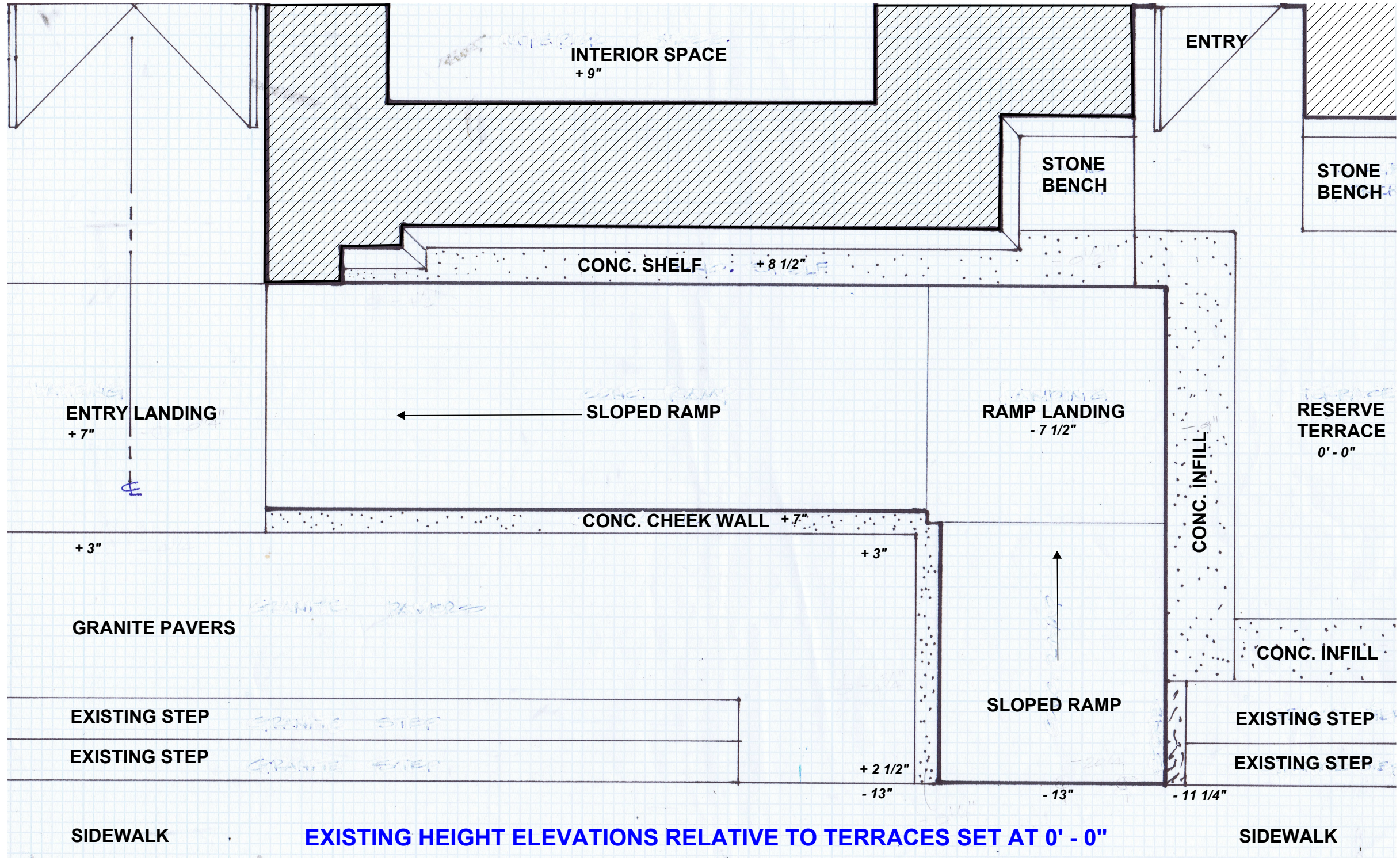


TERRACE WAITER STATION

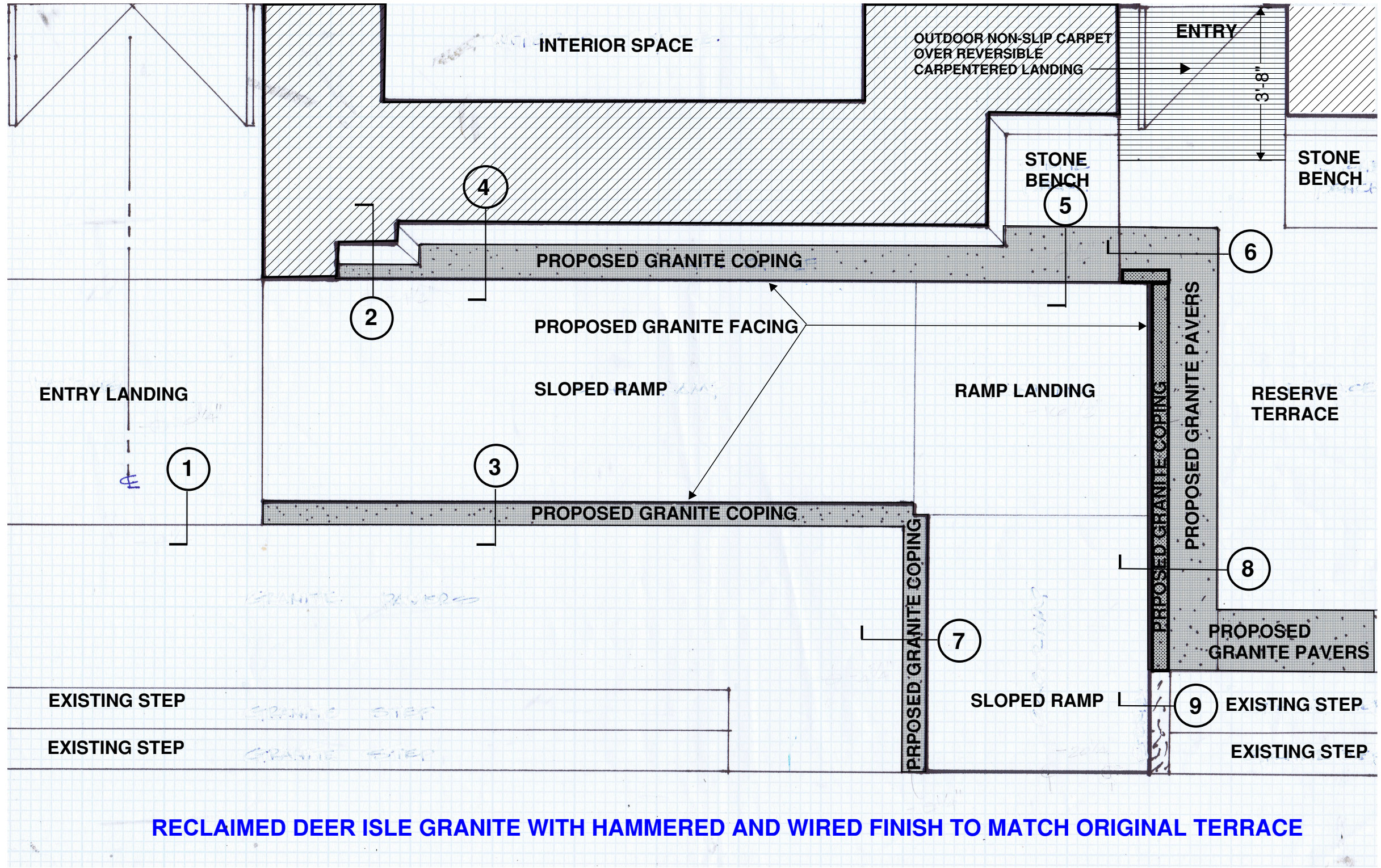
PROPOSED REMOVABLE LIGHTING, SPEAKERS AND FURNITURE AT RESERVE TERRACE



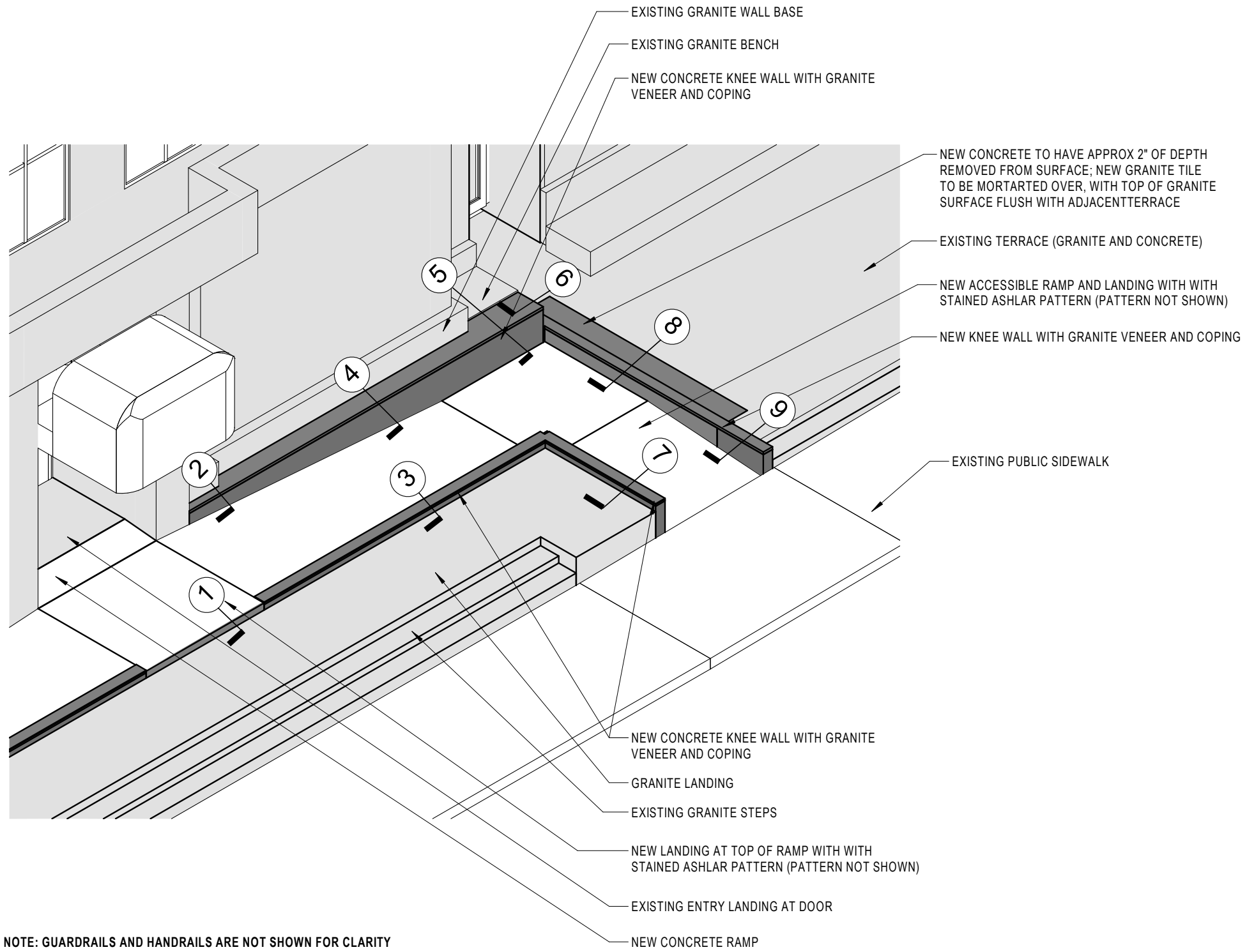
EXISTING EXPOSED CONCRETE CONDITIONS



EXISTING HEIGHT ELEVATIONS



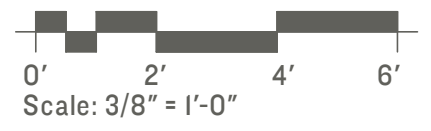
EXISTING HEIGHT ELEVATIONS



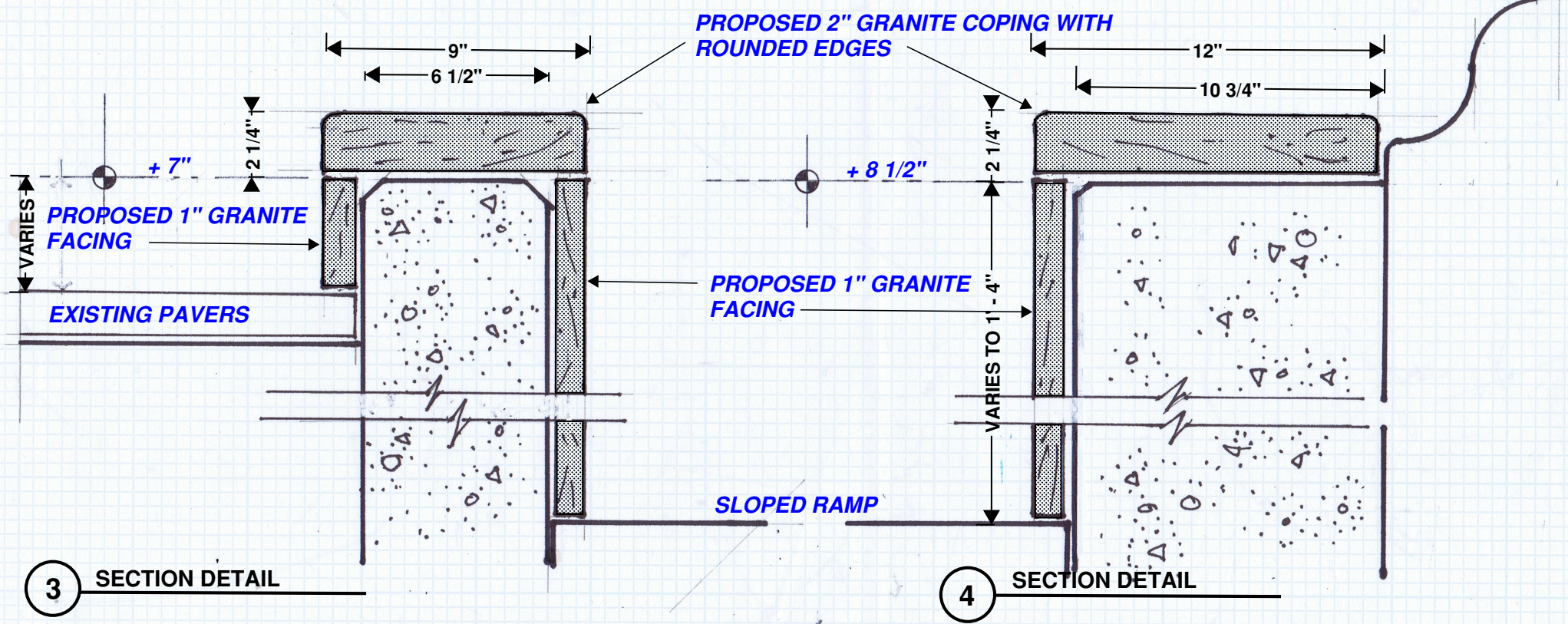
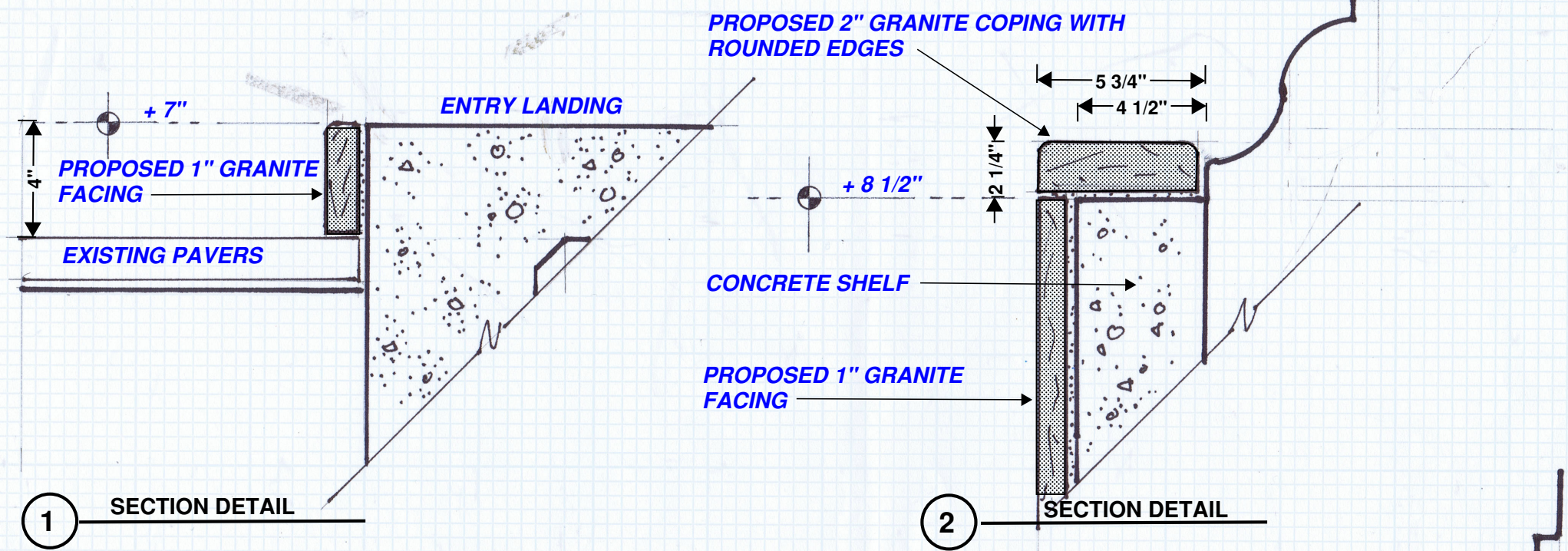
- NEW GRANITE CLADDING, COPING OR TILE OVER CONCRETE
- EXISTING GRANITE
- CONCRETE

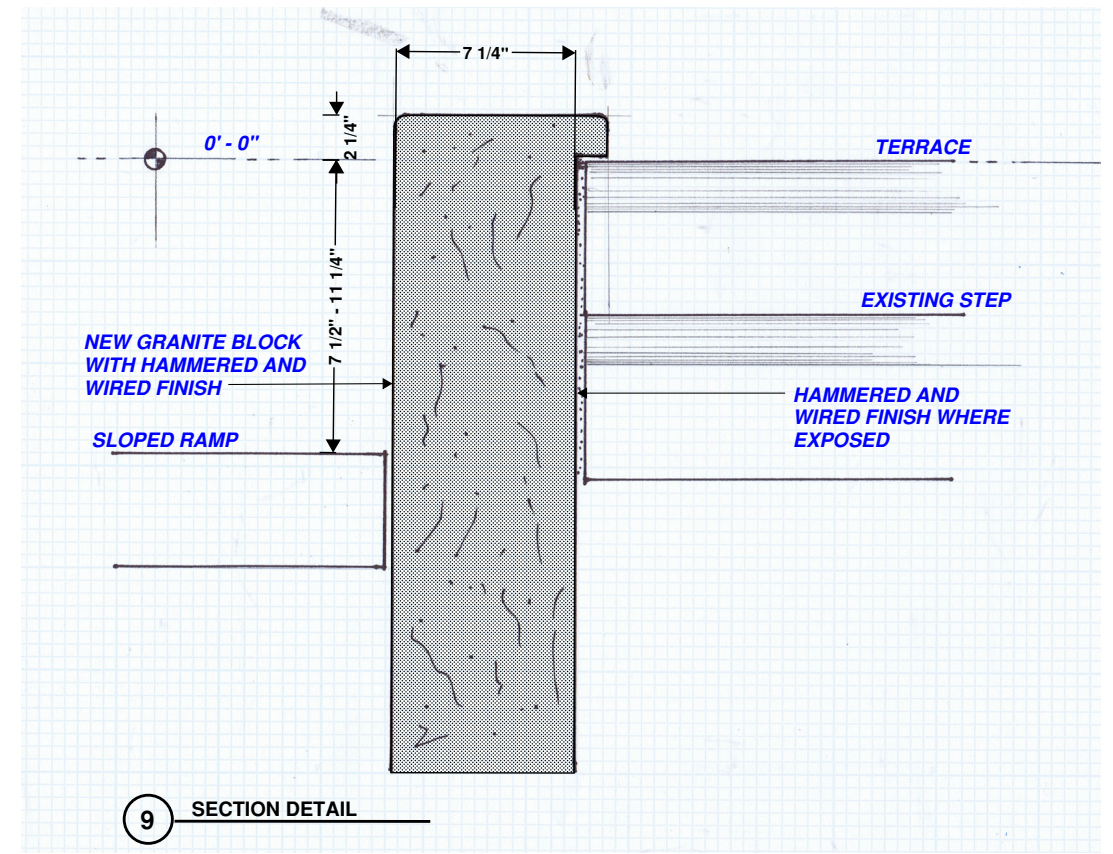
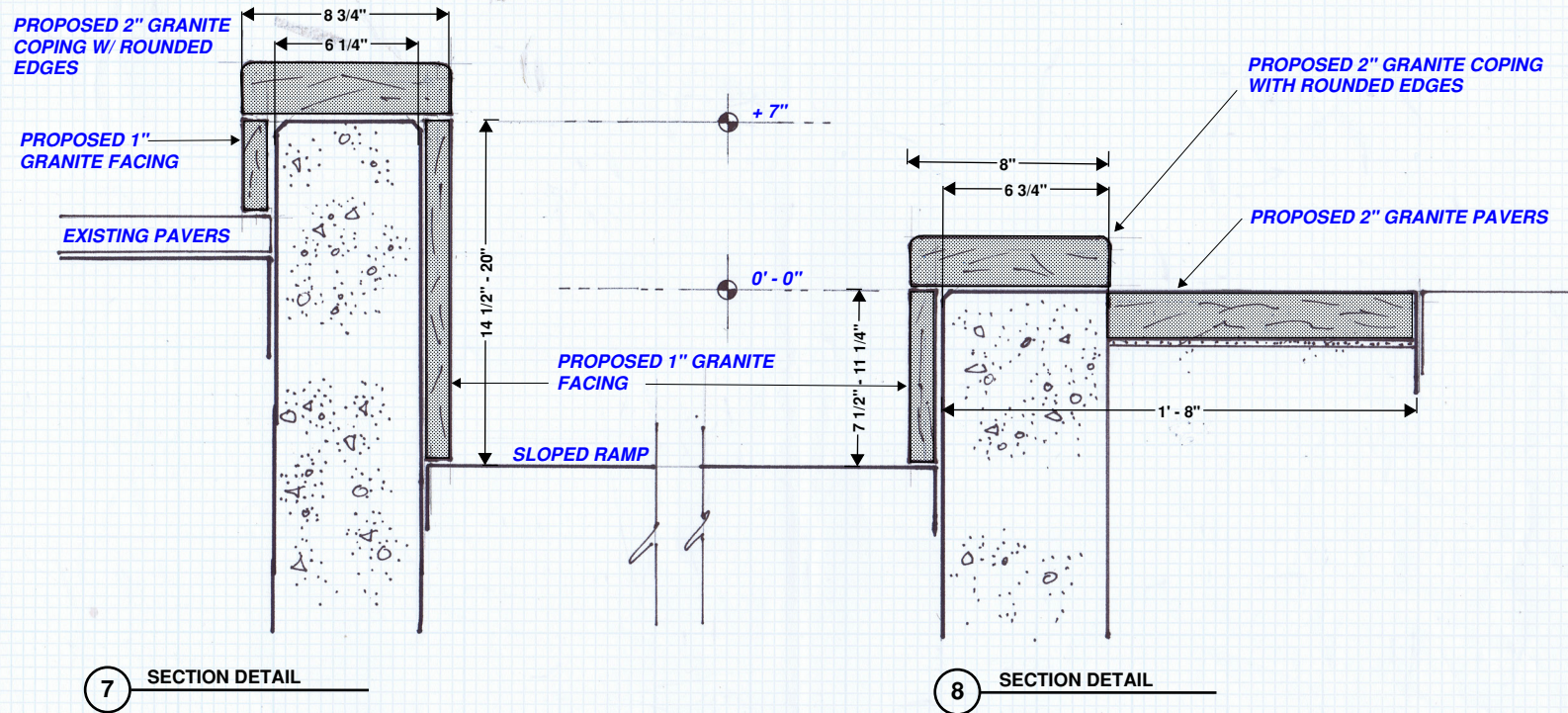
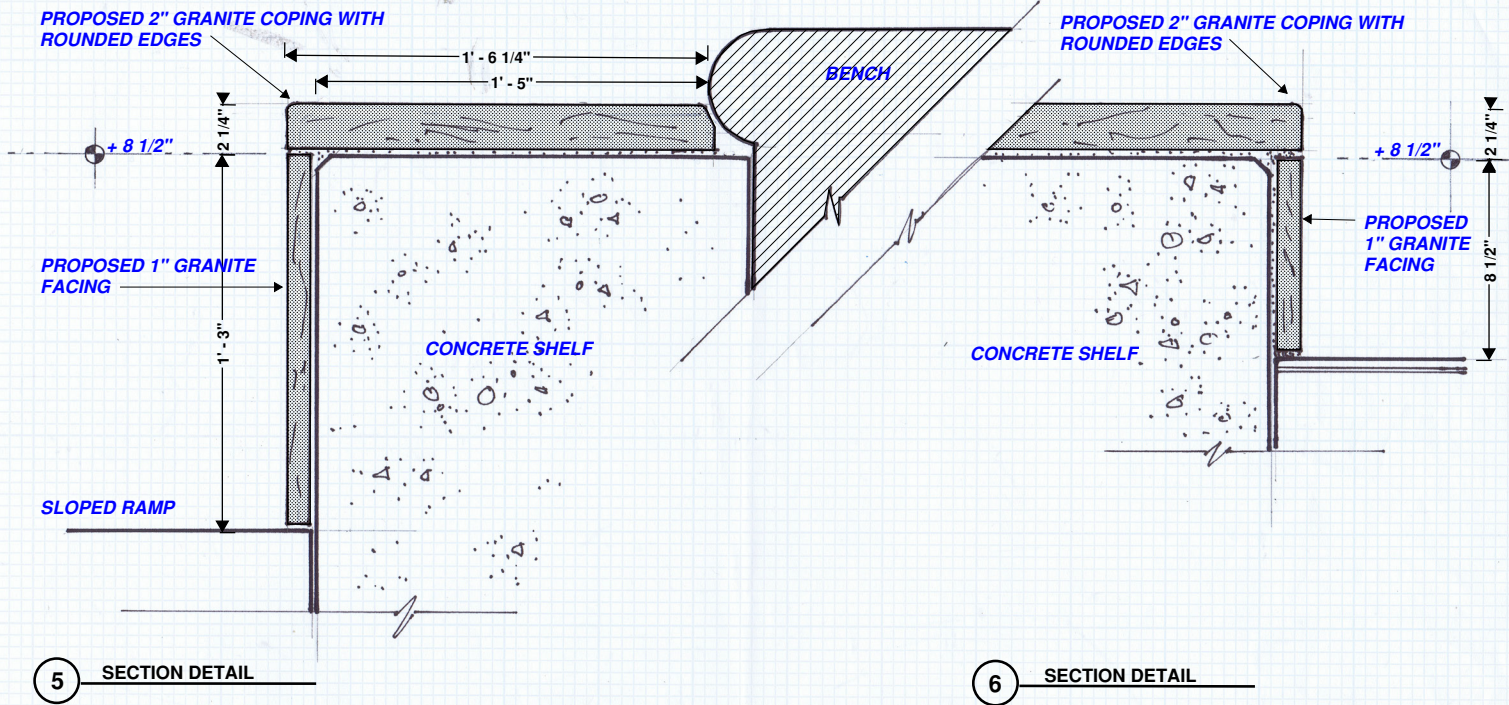
RAMP MATERIAL LEGEND

NOTE: GUARDRAILS AND HANDRAILS ARE NOT SHOWN FOR CLARITY



BIRDS-EYE VIEW AT RAMP





NYER BRUWN®