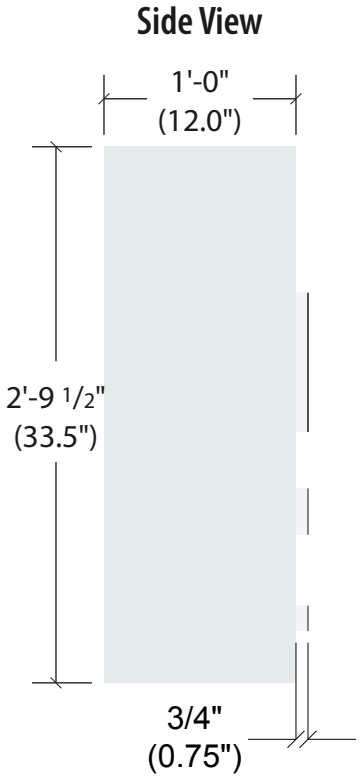
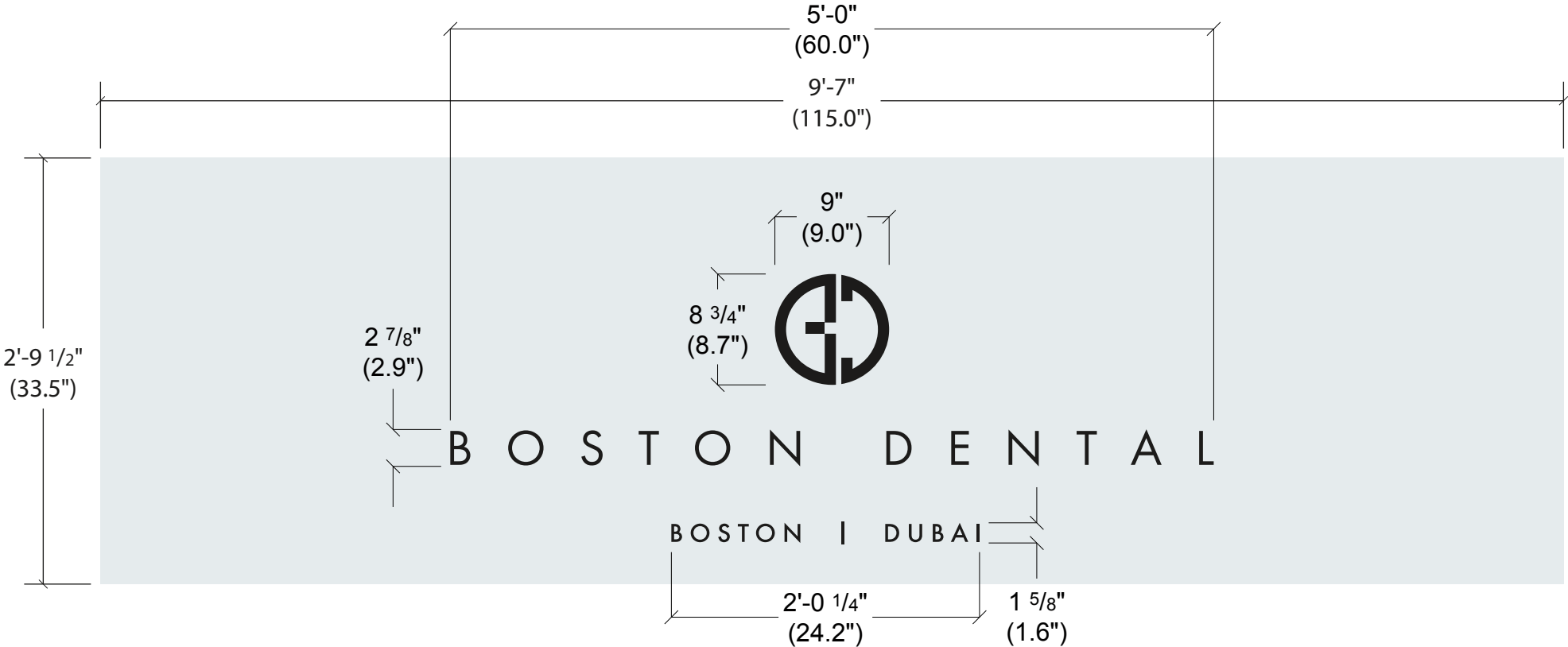


Project: 0222_15 Boston Dental - 22 Boston Wharf

Details:

- 1115" w x 33.5" h x 12" d Pan sign lightbox with halo edge lit push through lettering
- Lettering 3/4" thick
- Internal LED lighting
- White acrylic on bottom to let light through

Lightbox w/white acrylic underneath



General Notes

Client:
Maged El-Malecki
maleckidmd@yahoo.com

Project Location:
22 Boston Wharf Road

Artist:
Rick T.

Revision #
① ② ③ ④ ⑤ ⑥ ⑦ ⑧ ⑨ ⑩

Date: 02/07/2022

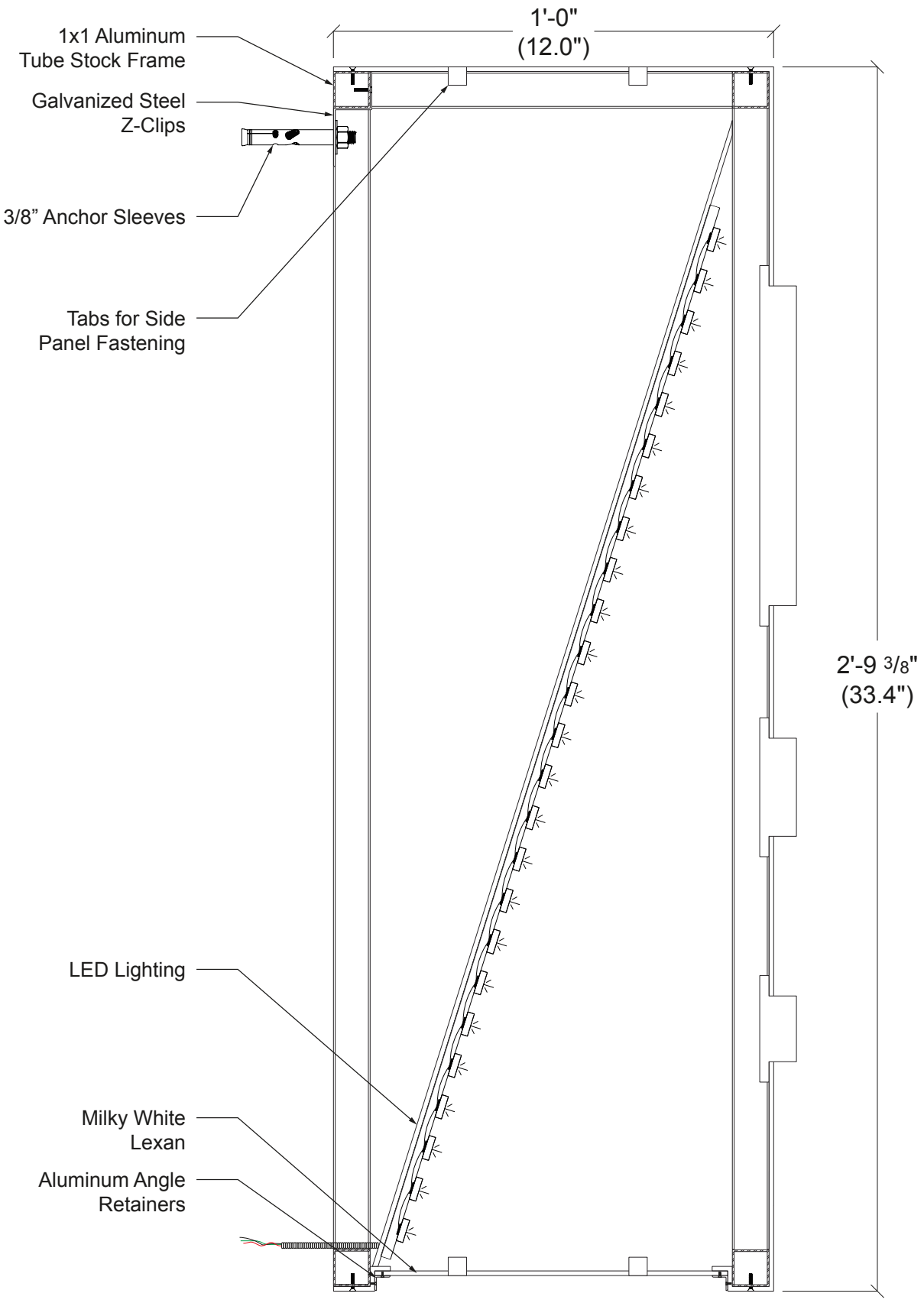
Drawing No.

Scale: 1"=1'0"

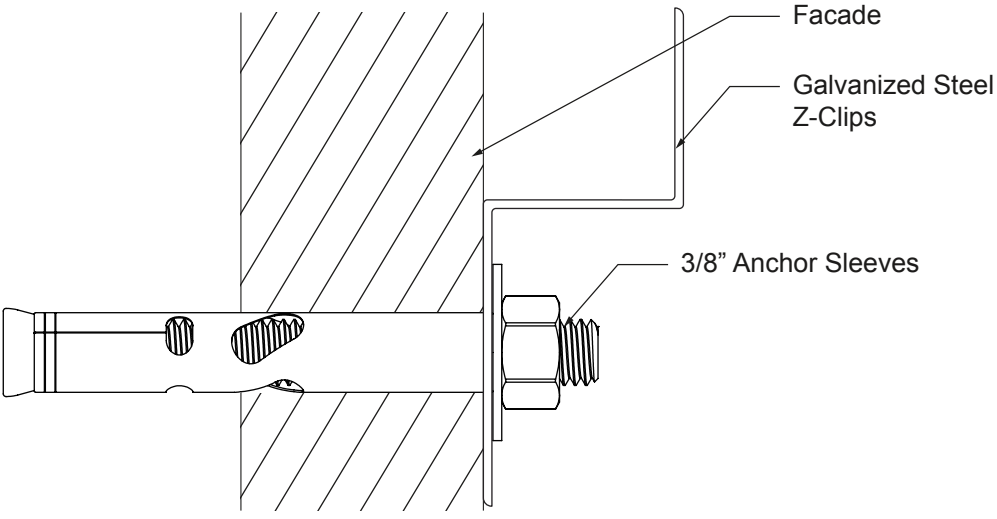
PS

Boston Building Wraps Inc Right to Authorship Credit. Client and/or Commissioner, hereafter referred to as User, and Boston Building Wraps Inc. hereafter referred to as BBWInc. ,agree that when asked, User must properly identify BBWInc. as the creator of artwork for future reproduction. Both parties agree that authorization to proceed with project whether per written estimate or verbal authorization will act as User's naming of BBWInc.; as vendor for said services. User does not have a proactive duty to display BBWInc.'s name together with Work, but User may not seek to mislead others that Work was created by anyone other than BBWInc. User request of BBWInc. to create project relevant drawings, sketches and/or artwork includes only the final, deliverable art, and not any preliminary Work or sketches. In the event of Termination. Either party may terminate the contract at any time through written request. The User shall upon termination pay BBWInc. all unpaid amounts due for Services completed prior to notice of termination.

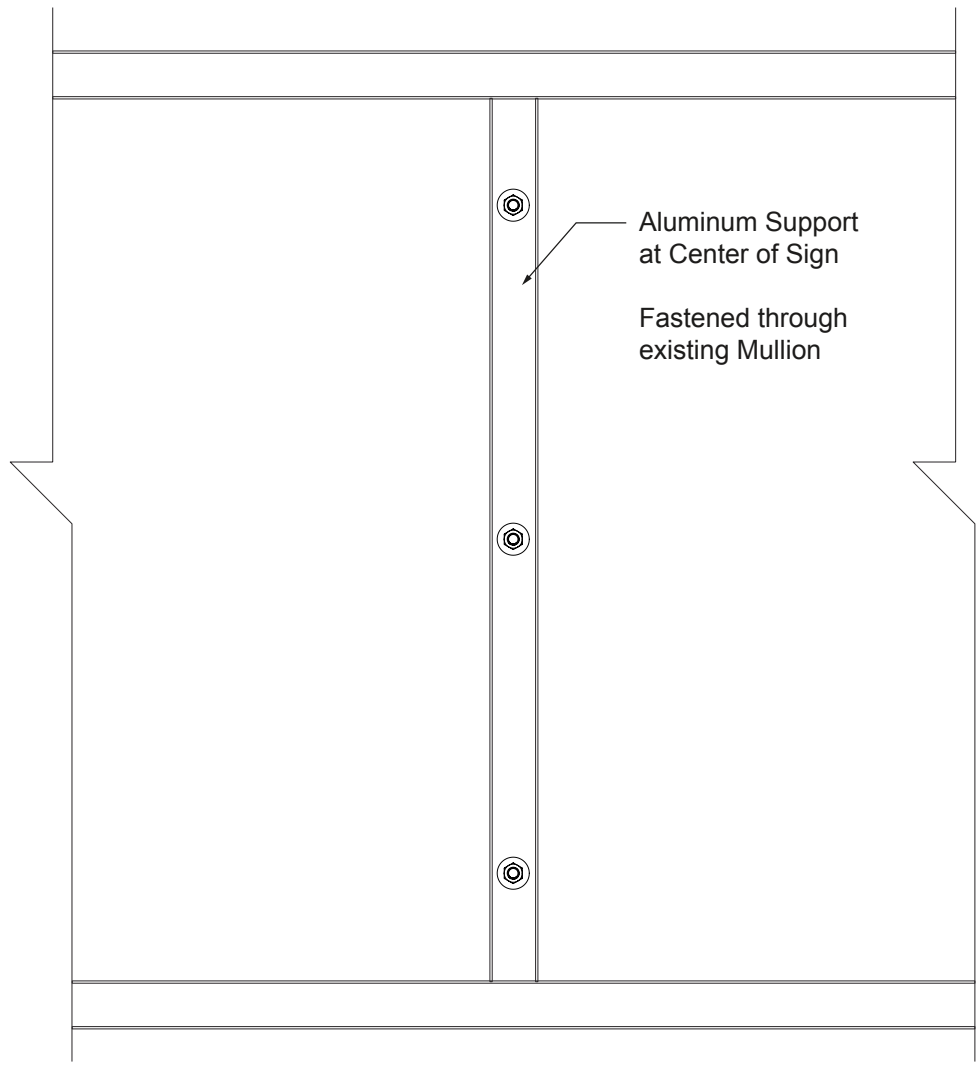
Project: 0222_15 Boston Dental - 22 Boston Wharf



1 SIDE VIEW DETAIL
Scale: 1:4



2 CONNECTION DETAIL
No to Scale



3 SUPPORT DETAIL
Not to Scale

General Notes

Client:
Maged El-Malecki
maleckidmd@yahoo.com

Project Location:
22 Boston Wharf Road

Artist:
Derek B

Revision #
1 2 3 4 5 6 7 8 9 10

Date: 03/14/2022

Drawing No.

Scale: Various

D1

Boston Building Wraps Inc Right to Authorship Credit. Client and/or Commissioner, hereafter referred to as User, and Boston Building Wraps Inc. hereafter referred to as BBWInc. ,agree that when asked, User must properly identify BBWInc. as the creator of artwork for future reproduction. Both parties agree that authorization to proceed with project whether per written estimate or verbal authorization will act as User's naming of BBWInc.; as vendor for said services. User does not have a proactive duty to display BBWInc.'s name together with Work, but User may not seek to mislead others that Work was created by anyone other than BBWInc. User request of BBWInc. to create project relevant drawings, sketches and/or artwork includes only the final, deliverable art, and not any preliminary Work or sketches. In the event of Termination. Either party may terminate the contract at any time through written request. The User shall upon termination pay BBWInc. all unpaid amounts due for Services completed prior to notice of termination.