



PROJECT INFORMATION

ADDRESS:

6 Louisburg Square, Boston MA

RUHL JAHNES ARCHITECTS

281 Mt Auburn St, Watertown, MA 02472

P. 617.744.8722

E. Will@ruhljahn.com

MCLD, LLC

411 Main St, Stoneham, MA 02180

P. 617.905.2246

E. Matthew@matthewcunningham.com

CAFCO CONSTRUCTION

77 Charles St, Boston, MA 02116

P. 617.426.7600

E. Aamontea@cafcoconstruction.com

SCOPE OF WORK

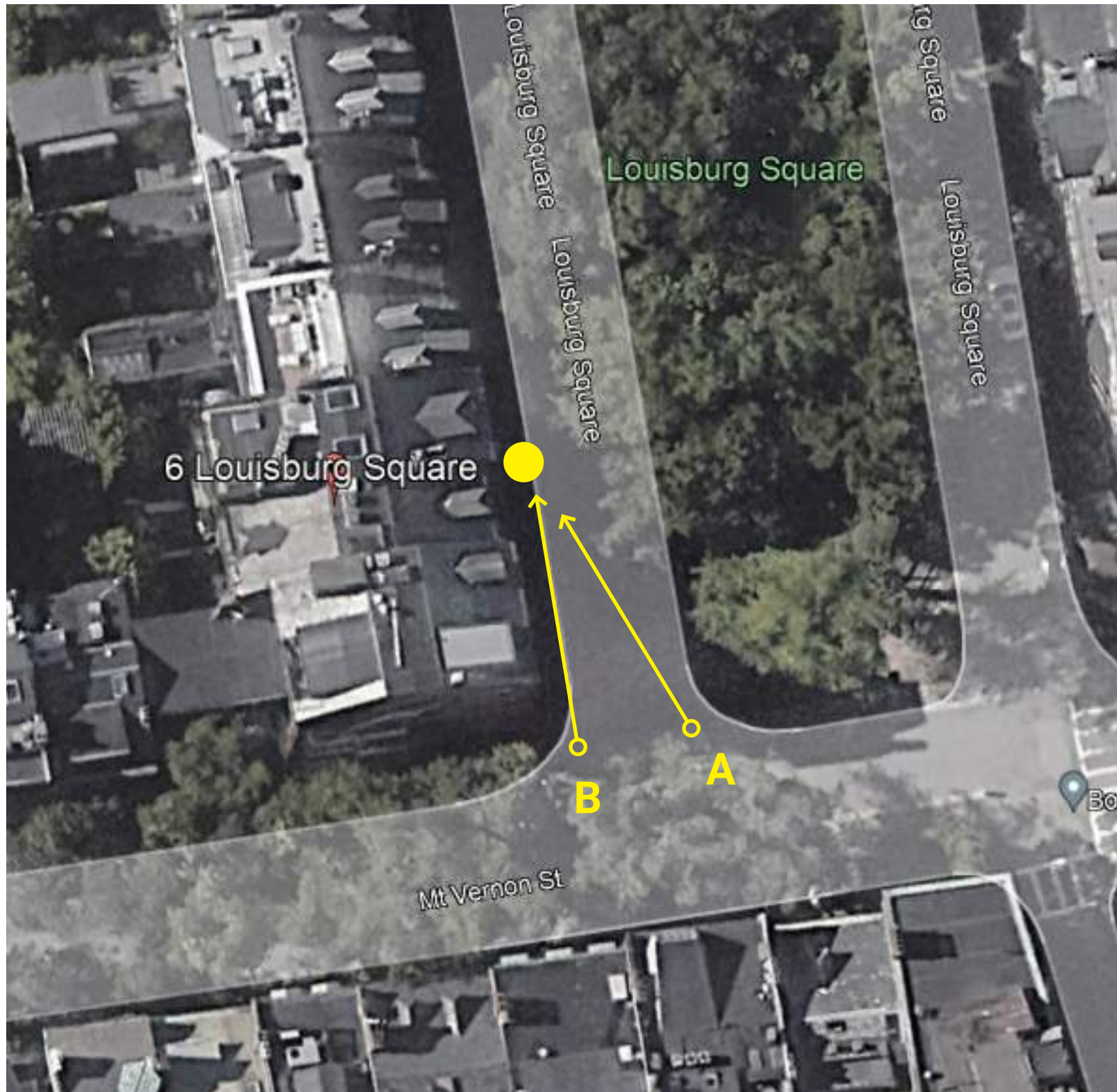
1. EV CHARGER INSTALLATION

- LOCAL CONTEXT
- EV CHARGER
- EV CHARGER SELECTION CRITERIA
- PRECEDENT INSTALLATION
- CONSIDERED BOXES & REASONS FOR ELIMINATION
- LOCAL CONTEXT COVER PLATES
- PRECEDENT BOX COVER & PROPOSED DESIGN

BHAC SUBMISSION - YOUNISS RESIDENCE – 6 LOUISBURG SQUARE, BOSTON

YOUNISS RESIDENCE – 6 LOUISBURG SQUARE, BOSTON

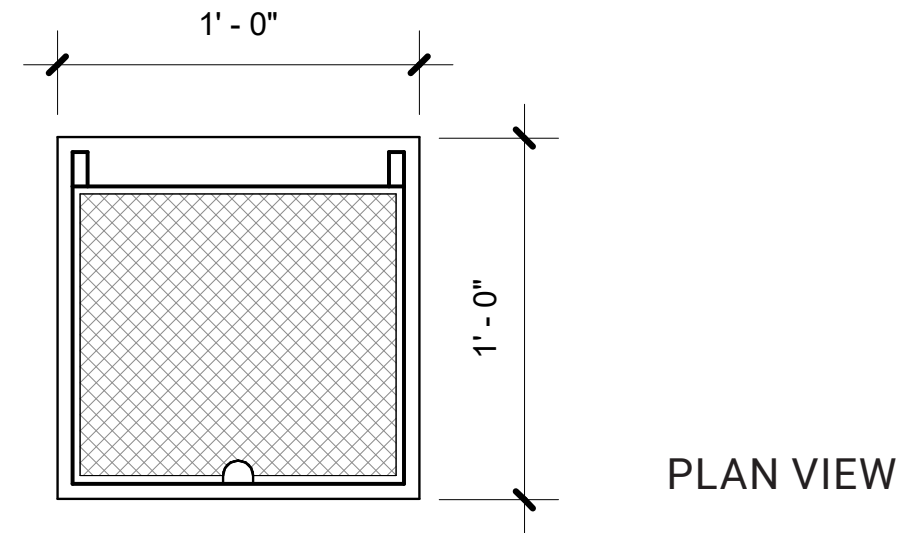
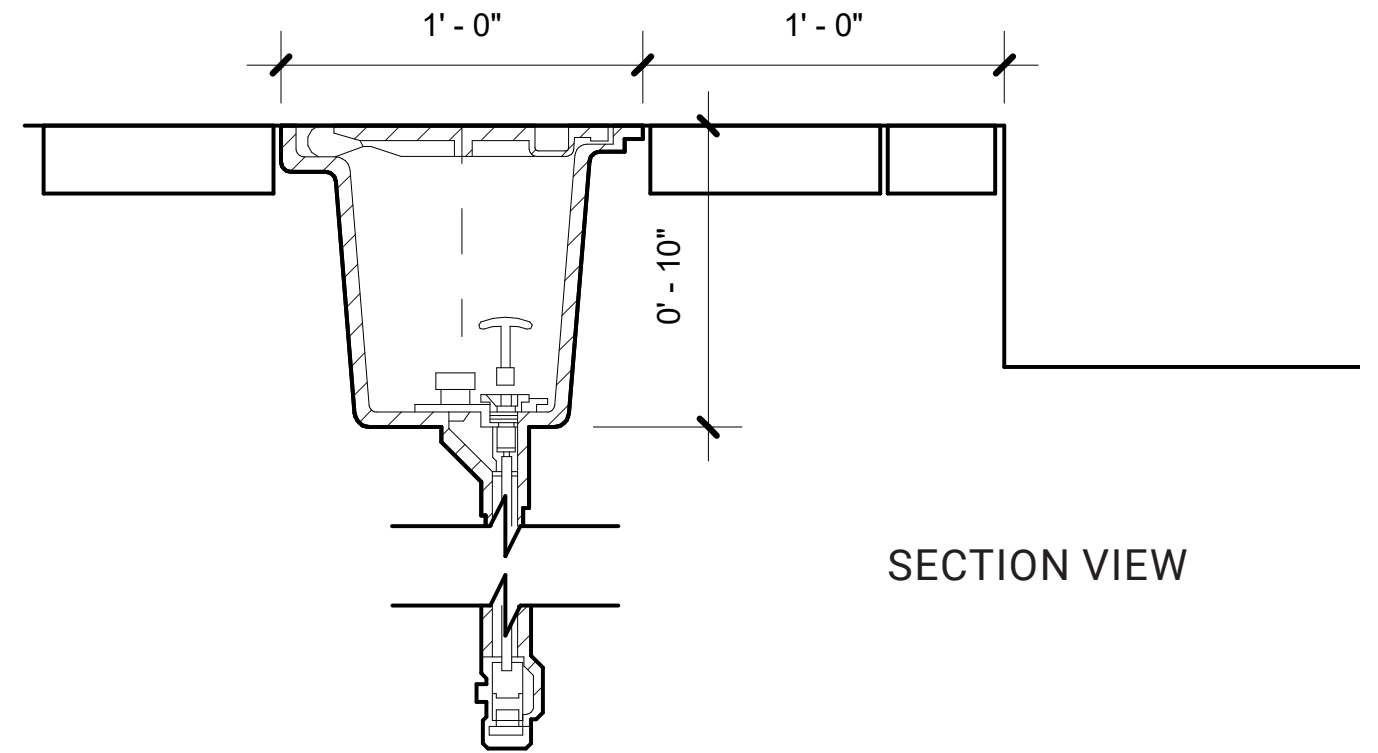
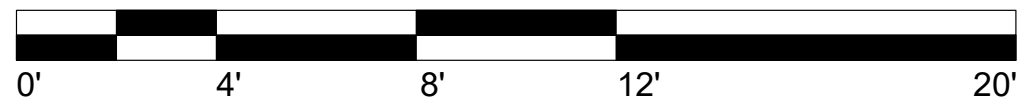
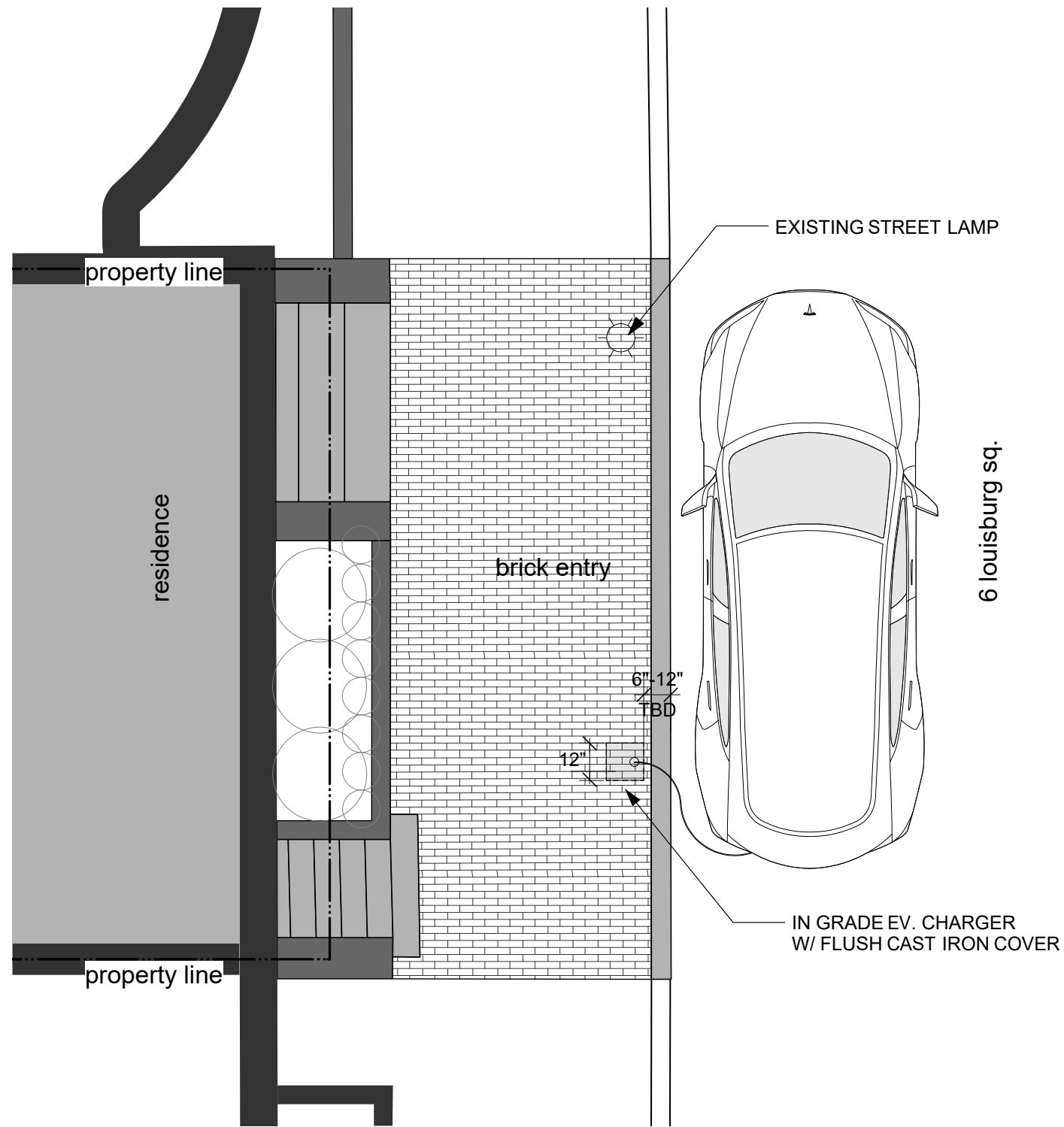
JUNE 6th, 2023



LOCAL CONTEXT

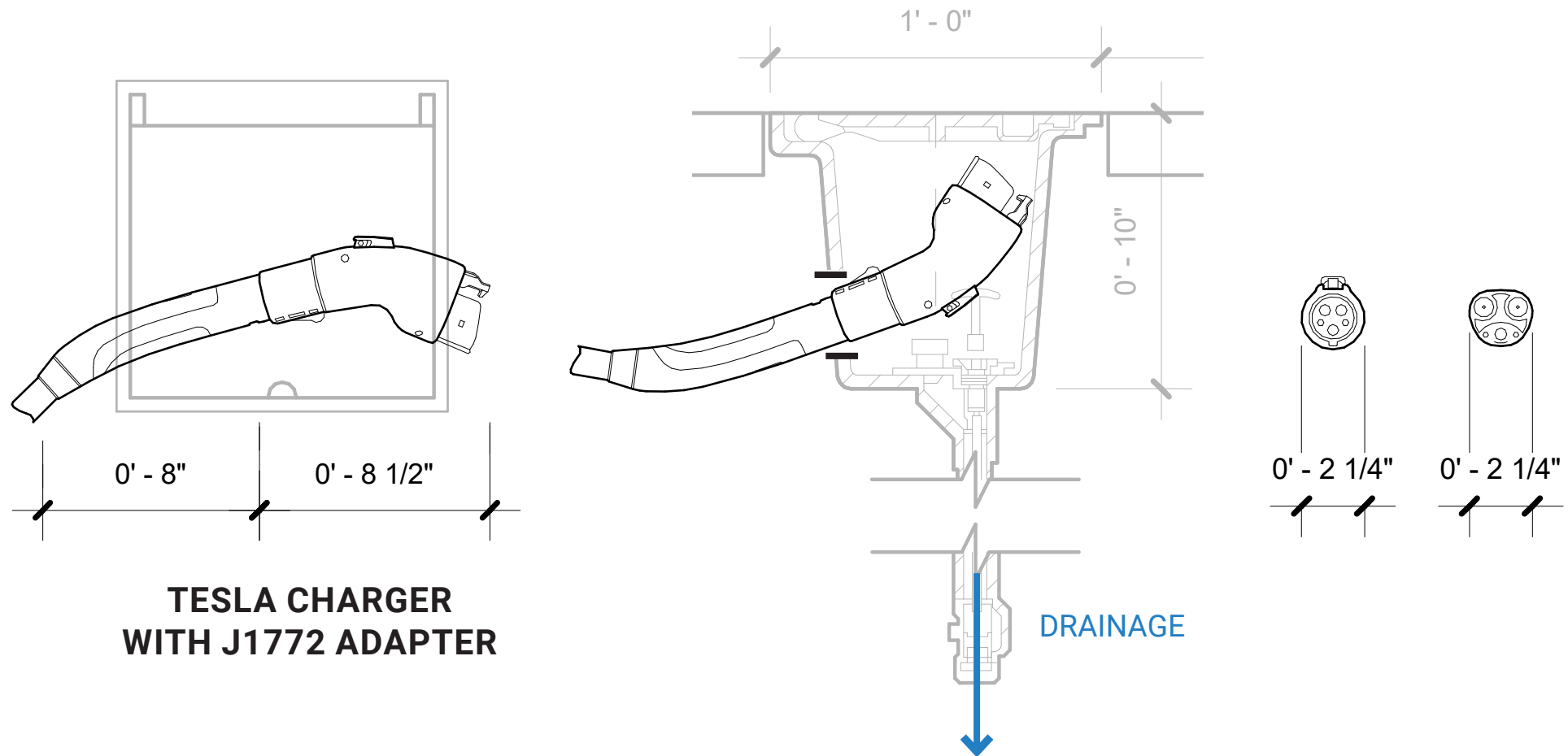
CONTEXT – VIEWS FROM PUBLIC WAY (MT VERNON ST)

YOUNISS RESIDENCE – 6 LOUISBURG SQUARE, BOSTON
JUNE 6th, 2023



EV CHARGER – LOCATION

YOUNISS RESIDENCE – 6 LOUISBURG SQUARE, BOSTON
JUNE 6th, 2023



TESLA CHARGER WITH J1772 ADAPTER

BOX SELECTION CRITERIA:

- BOX APPROPRIATELY SIZED FOR CHARGER AND ADAPTER
- DRAINAGE AT BASE OF BOX
- ROUTING OF EV CHARGER SUCH THAT THE CONDUIT IS THROUGH SIDE WALL OF BOX TO LIMIT WATER INTRUSION
- MANEUVERING SPACE FOR REMOVING AND REPLACING CHARGER HEAD
- DOOR THAT CLOSSES FLAT DURING CHARGING TO LIMIT TRIP HAZARD
- NOT SIZED LARGER THAN IT NEEDS TO BE



EV CHARGER SELECTION CRITERIA – BOX DIMENSIONS & CHARGER HEAD WITH ADAPTER



EV CHARGER – PHOTOS

YOUNISS RESIDENCE – 6 LOUISBURG SQUARE, BOSTON
JUNE 6th, 2023



18 LBS PRECEDENT INSTALLATION INADEQUACIES FOR 6 LBS NEEDS:

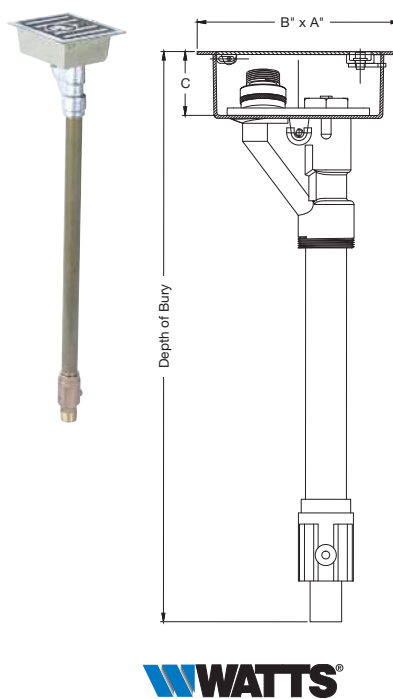
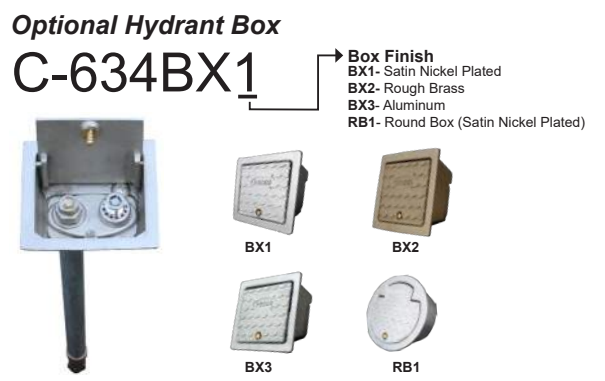
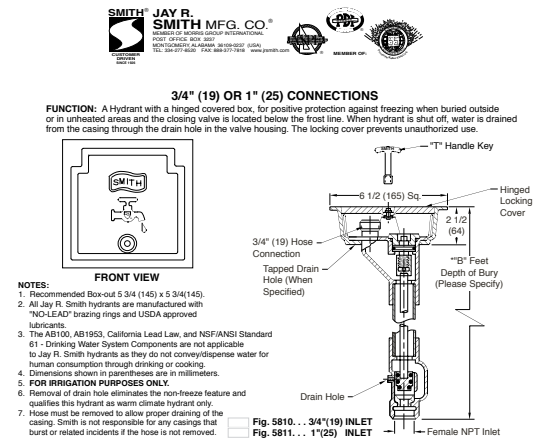
- DOES NOT ACCOMMODATE EV CHARGER AND ADAPTER FOR UNIVERSAL USE
- EV CHARGER CONDUIT IS IN BASE OF BOX LEADING TO WATER INFILTRATION VULNERABILITY
- DOOR DOES NOT CLOSE FLAT DURING CHARGING AND PRESENTS A TRIP HAZARD

S	SMITH® JAY R. SMITH MFG. CO.® MEMBER OF MORRIS GROUP INTERNATIONAL POST OFFICE BOX 3237 MONTGOMERY, ALABAMA 36109-0237 (USA) TEL: 334-277-8520 FAX: 888-577-7818 www.jrsmith.com <small>CUSTOMER DRIVEN SINCE 1928</small>	 MEMBER OF:	LOCATION
S	DRAWING NUMBER 5810	SIZE A	SCALE: NONE
S	DATE: 12-8-88	APPROVED BY: 	CHECKED BY:
S	DRAWN BY: WAS	DIMENSIONS ARE SUBJECT TO MANUFACTURERS TOLERANCE AND CHANGE WITHOUT NOTICE	
S	5810,5811	WE CAN ASSUME NO RESPONSIBILITY FOR USE OF SUPERSEDED OR VOID DATA	
<h2 style="margin: 0;">NON-FREEZE GROUND HYDRANT</h2>			
3/4" (19) OR 1" (25) CONNECTIONS			
<p>FUNCTION: A Hydrant with a hinged covered box, for positive protection against freezing when buried outside or in unheated areas and the closing valve is located below the frost line. When hydrant is shut off, water is drained from the casing through the drain hole in the valve housing. The locking cover prevents unauthorized use.</p>			
<p>FRONT VIEW</p>			
<p>NOTES:</p> <ol style="list-style-type: none"> 1. Recommended Box-out 5 3/4 (145) x 5 3/4(145). 2. All Jay R. Smith hydrants are manufactured with "NO-LEAD" brazing rings and USDA approved lubricants. 3. The AB100, AB1953, California Lead Law, and NSF/ANSI Standard 61 - Drinking Water System Components are not applicable to Jay R. Smith hydrants as they do not convey/dispense water for human consumption through drinking or cooking. 4. Dimensions shown in parentheses are in millimeters. 5. FOR IRRIGATION PURPOSES ONLY. 6. Removal of drain hole eliminates the non-freeze feature and qualifies this hydrant as warm climate hydrant only. 7. Hose must be removed to allow proper draining of the casing. Smith is not responsible for any casings that burst or related incidents if the hose is not removed. 			
<p>REGULARLY FURNISHED:</p> <ul style="list-style-type: none"> <input type="checkbox"/> Bronze Non-Freeze Ground Hydrant with "T" Handle Key, and Bronze Hydrant Box. Inlet Size Furnished as Indicated by Figure Number 		<p>VARIATIONS:</p> <ul style="list-style-type: none"> <input type="checkbox"/> 1"(25) Hose Connection Adaptor -HC1 <input type="checkbox"/> Less Drain Hole -LD (Note 6) <input type="checkbox"/> 1/8"(3) NPT Drain Hole in Box -N <input type="checkbox"/> 1/8"(3) NPT Drain Hole in Valve Housing -NV <input type="checkbox"/> Mild Climate -SAP <input type="checkbox"/> "Water" Cast on Cover -W <input type="checkbox"/> Vacuum Breaker -H (Note 7) 	
		<p>OPTIONAL MATERIALS:</p> <ul style="list-style-type: none"> <input type="checkbox"/> Nickel Bronze Box -NB <input type="checkbox"/> Polished Bronze Box -PB 	
<p>B(Depth of Bury) = 02(610), 03(915), 04(1220), 05(1525), 06(1830), 07(2135) or 08(2438) Feet *B = 9 1/2"(240) When Specified 5810-SAP *B = 9 1/2"(240) When Specified 5811-SAP</p>			
TECHNICAL DATA			
<p>Non-Freeze Ground Hydrants are supplied with a special valve housing which prevents freezing of hydrant during non-use periods. The valve housing must be installed below the frost line which prevails for the area of installation. The valve housing has a drain hole which drains the casing when the hydrant is shut off. In effect, there is no water in the casing during non-use periods. Since water from the drain hole is normally allowed to drain into the ground, the valve housing should be set in a bed of gravel. Water drained from the casing can then seep into the ground.</p> <p>Some locations which require Non-Freeze Ground Hydrants cannot tolerate water draining from the drain hole. Examples are parking garages, plazas and roof decks used for recreational purposes. Often in these types of applications the valve housing will protrude into a finished area which is not subject to freezing temperatures. To eliminate the problem of water drainage in this type of installation, Smith can supply a tapped drain hole in the hydrant box and a tapped drain hole in the valve housing. Through these tapped drain holes, water accumulation in the box and the water from the valve housing drain hole can be piped to a suitable drain.</p>			
S O P	3-22-23 2-23-23 10-26-20 2-4-13	Revised Note 3 Added Note 7 & Variation Revised Notes Revised Notes	KK KK MW TBW
J T C L C L	W E I G H T P O U N D S	V O L U M E C U B I C F E E T	FIGURE NUMBER 5810,5811
R E V.	D A T E	D E S C R I P T I O N	B Y
C K D.			

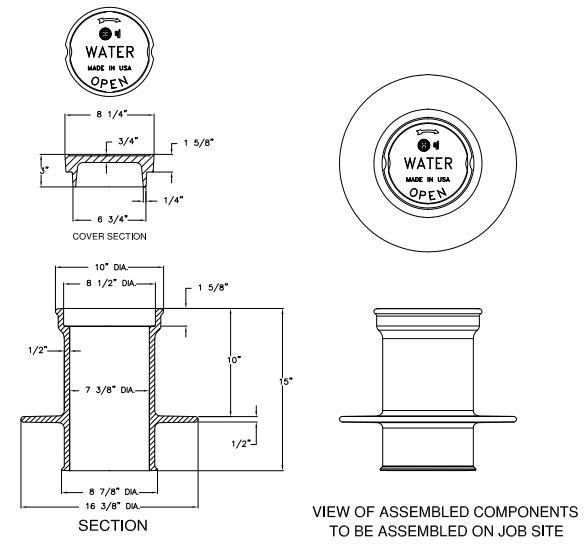
PRECEDENT INSTALLATION – 18 LBS

YOUNISS RESIDENCE – 6 LOUISBURG SQUARE, BOSTON
 JUNE 6th, 2023

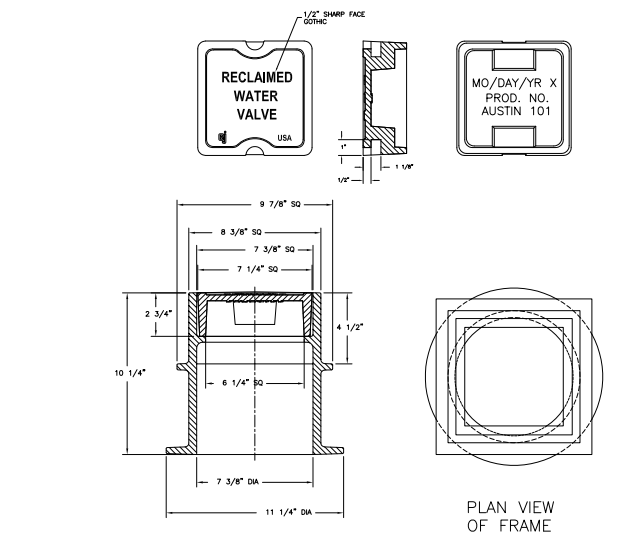
CONSIDERED BOXES AND REASONS FOR ELIMINATION



V8451 Set



#70 Valve Box Set



OPTION: CAN BE INSTALLED ON VERTICAL PIPE AS A CLEANOUT

- SIZE NOT ADEQUATE FOR ADAPTER
- COVER TRIP HAZARD DURING CHARGING
- SAYS WATER, WHEN CHARGER IS ACTUALLY AN ELECTRIC ELEMENT (CONFUSION COULD BE DANGEROUS)

- SIZE NOT ADEQUATE FOR ADAPTER
- NOT RATED FOR IN GROUND USE
- NOT HISTORICALLY ACCURATE COVER

- SIZE NOT ADEQUATE FOR ADAPTER
- NOT RATED FOR IN GROUND USE
- NICKEL FINISH
- COVER TRIP HAZARD DURING CHARGING
- HAS WATER SYMBOL, WHEN CHARGER IS ACTUALLY AN ELECTRIC ELEMENT (CONFUSION COULD BE DANGEROUS)

- SIZE NOT ADEQUATE FOR ADAPTER
- COVER TRIP HAZARD DURING CHARGING
- COVER REQUIRES SPECIAL EFFORT FOR REMOVAL (NOT HINGED)
- SAYS WATER, WHEN CHARGER IS ACTUALLY AN ELECTRIC ELEMENT (CONFUSION COULD BE DANGEROUS)
- IRON FINISH

- SIZE NOT ADEQUATE FOR ADAPTER
- COVER TRIP HAZARD DURING CHARGING
- COVER REQUIRES SPECIAL EFFORT FOR REMOVAL (NOT HINGED)
- IRON FINISH

CONSIDERED BOXES - REASONS FOR ELIMINATION

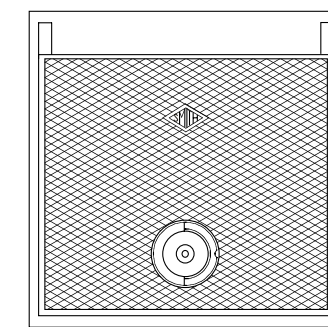


HYDRANTS

NON-FREEZE GROUND HYDRANT

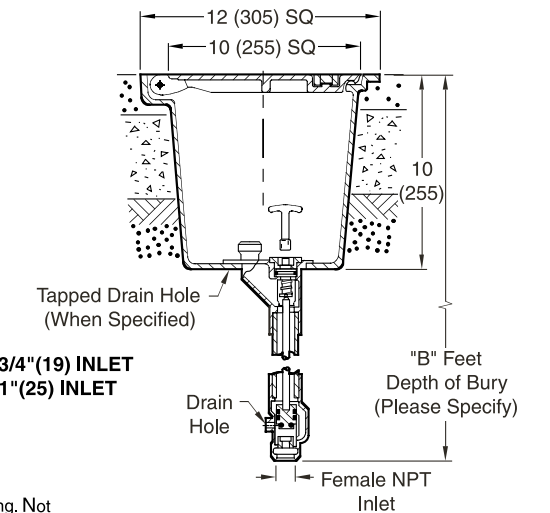
BOX TYPE HYDRANT WITH DUCTILE IRON COVER

FUNCTION: Hydrant with hinged cover and box, for applications which require a flush with ground non-freeze hydrant. The closing valve is located below the frost line. When hydrant is shut off water is drained from the casing through the drain hole in the valve housing.



TOP VIEW

FIG. M-3950 . . 3/4"(19) INLET
 FIG. M-3951 . . 1"(25) INLET



B(Depth of Bury) = 02(610), 03(915), 04(1220), 05(1525),
 06(1830) 07(2135) or 08(2438) Feet

- NOTE:**
1. Addition of vacuum breaker will not allow draining of the casing. Not responsible for any casings that burst or related incidents if the hydrant is supplied with a vacuum breaker.
 2. All hydrants are manufactured with "NO-LEAD" brazing rings and USDA approved lubricants.
 3. The AB1953, California Lead Law, and NSF/ANSI Standard 61-2008 - Drinking Water System Components are not applicable to hydrants as they do not convey/dispense water for human consumption through drinking or cooking.
 4. Dimensions shown in parentheses are in millimeters.
 5. When installed in parking decks, garages or similar applications subjected to vehicle traffic, hydrant shall be located in a non-traffic location.
 6. FOR IRRIGATION PURPOSES ONLY.

REGULARLY FURNISHED:	VARIATIONS:	OPTIONAL MATERIALS:
<input type="checkbox"/> Bronze Hydrant with Bronze Casing. <input type="checkbox"/> "T" Handle Key and Cast Iron Box with Ductile Iron Cover with Lifting Device.	<input type="checkbox"/> 1"(25) Hose Connection Adaptor -HC1 <input type="checkbox"/> 1/8"(3) NPT Drain Hole in Box -N <input type="checkbox"/> 1/8"(3) NPT Drain Hole in Valve Housing -NV <input type="checkbox"/> "Water" Cast on Cover -W	<input type="checkbox"/> Nickel Bronze Top -NB <input type="checkbox"/> Polished Bronze Top -PB <input type="checkbox"/> Rough Bronze Top -RB

TECHNICAL DATA

Non-Freeze Ground Hydrants are supplied with a special valve housing which prevents freezing of hydrant during non-use periods. The valve housing must be installed below the frost line which prevails for the area of installation. The valve housing has a drain hole which drains the casing during non-use periods. Since water from the drain hole is normally allowed to drain into the ground, the valve housing should be set in a bed of gravel. Water drained from the casing can then seep into the ground.

Some locations which require Non-Freeze Ground Hydrants cannot tolerate water draining from the drain hole. Examples are parking garages, plazas and roof decks used for recreational purposes. Often in these types of applications the valve housing will protrude into a finished area which is not subject to freezing temperatures. To eliminate the problem of water drainage in this type of installation, Murdock can supply a tapped drain hole in the hydrant box and a tapped drain hole in the valve housing. Through these tapped drain holes, water accumulation in the box and the water from the valve housing drain hole can be piped to a suitable drain.

⚠ WARNING: Cancer and Reproductive Harm - www.P65Warnings.ca.gov

MURDOCK MFG. • 15125 Proctor Avenue • City of Industry, CA 91746 USA
 Phone 800-453-7465 or 626-333-2543 • Fax 626-855-4860 • www.murdockmfg.com



M-3950, M-3951

REV. 08/20/18

SELECTED BOX

YOUNISS RESIDENCE – 6 LOUISBURG SQUARE, BOSTON
 JUNE 6th, 2023

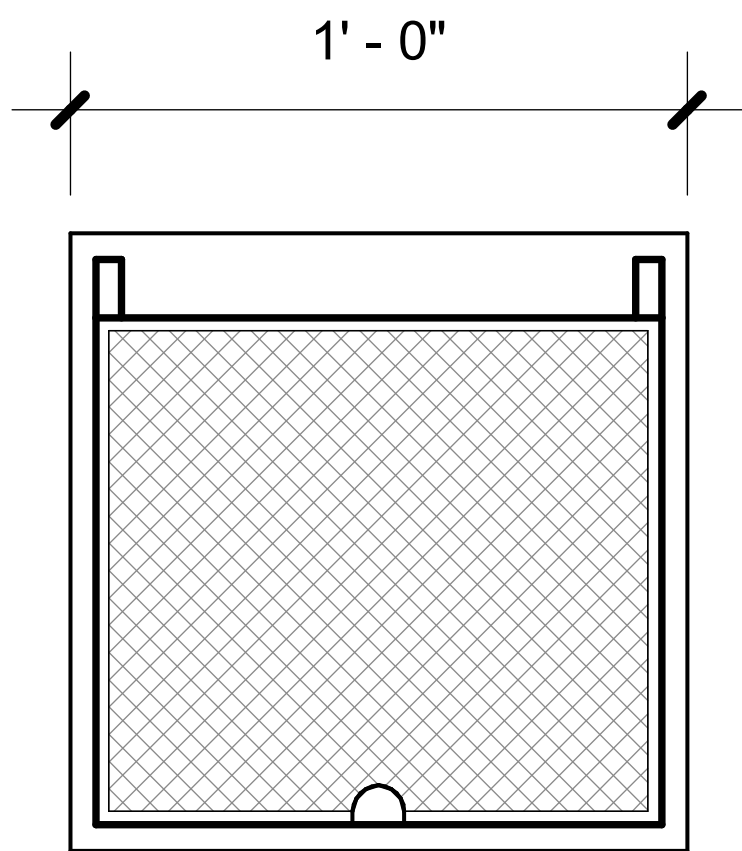




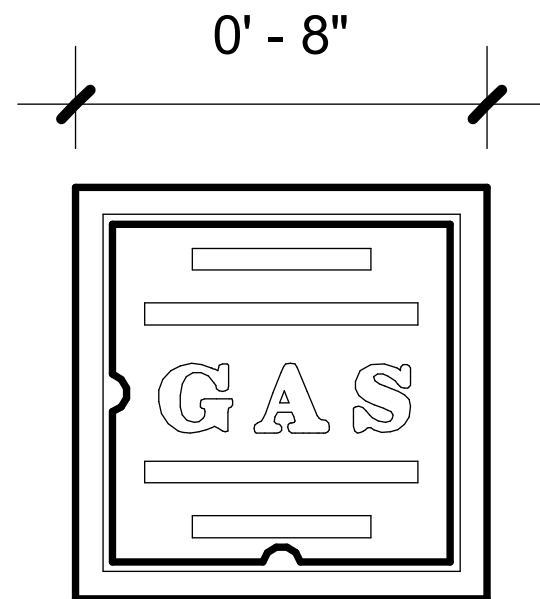
LOCAL CONTEXT - COVER PLATES

YOUNISS RESIDENCE – 6 LOUISBURG SQUARE, BOSTON
JUNE 6th, 2023

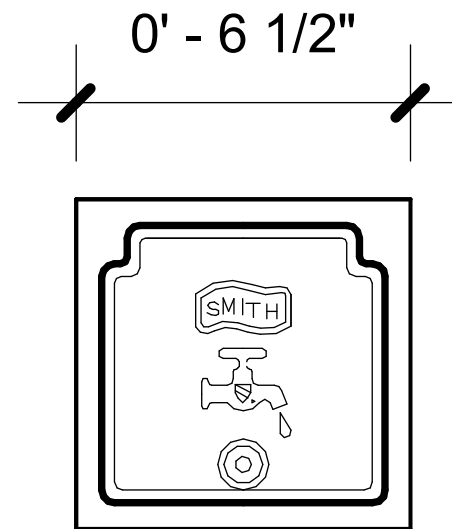




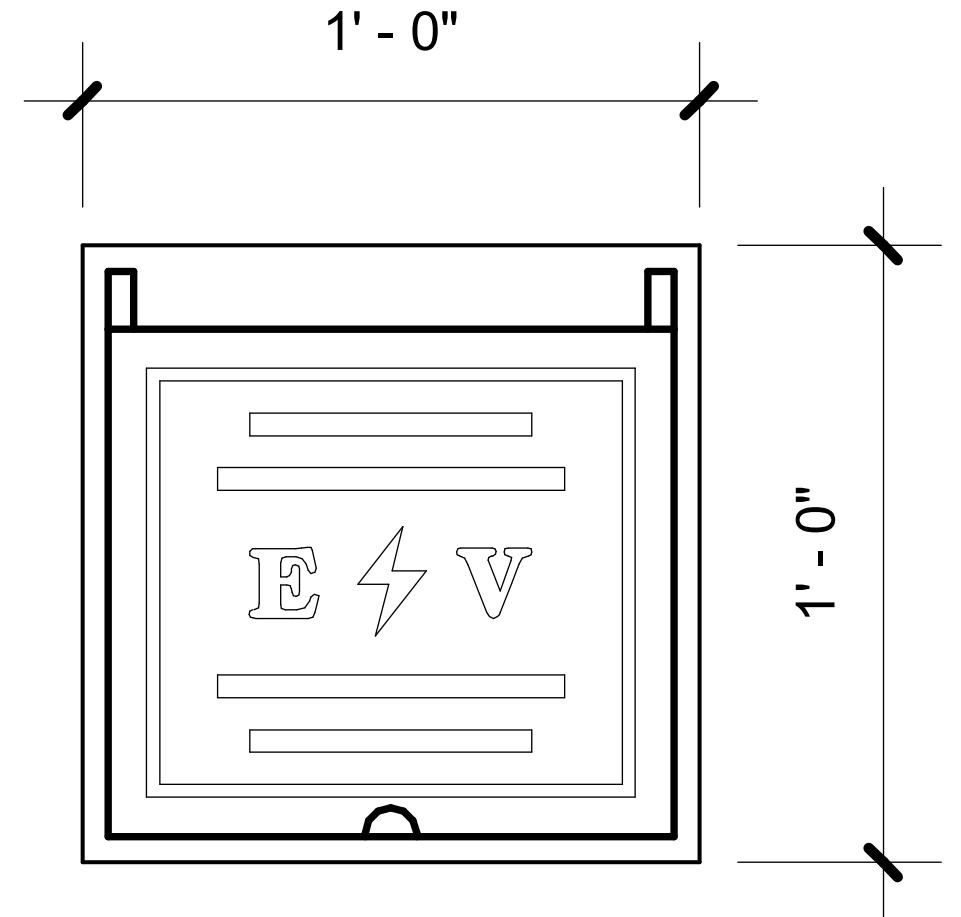
EXISTING



PRECEDENT

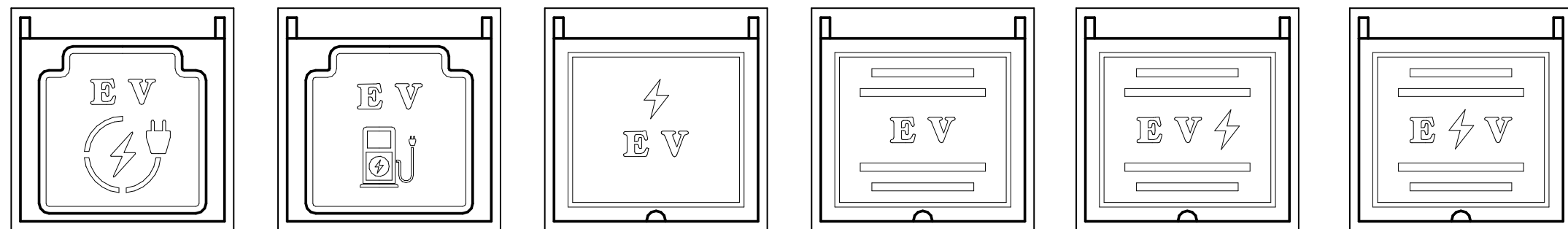


18 LBS

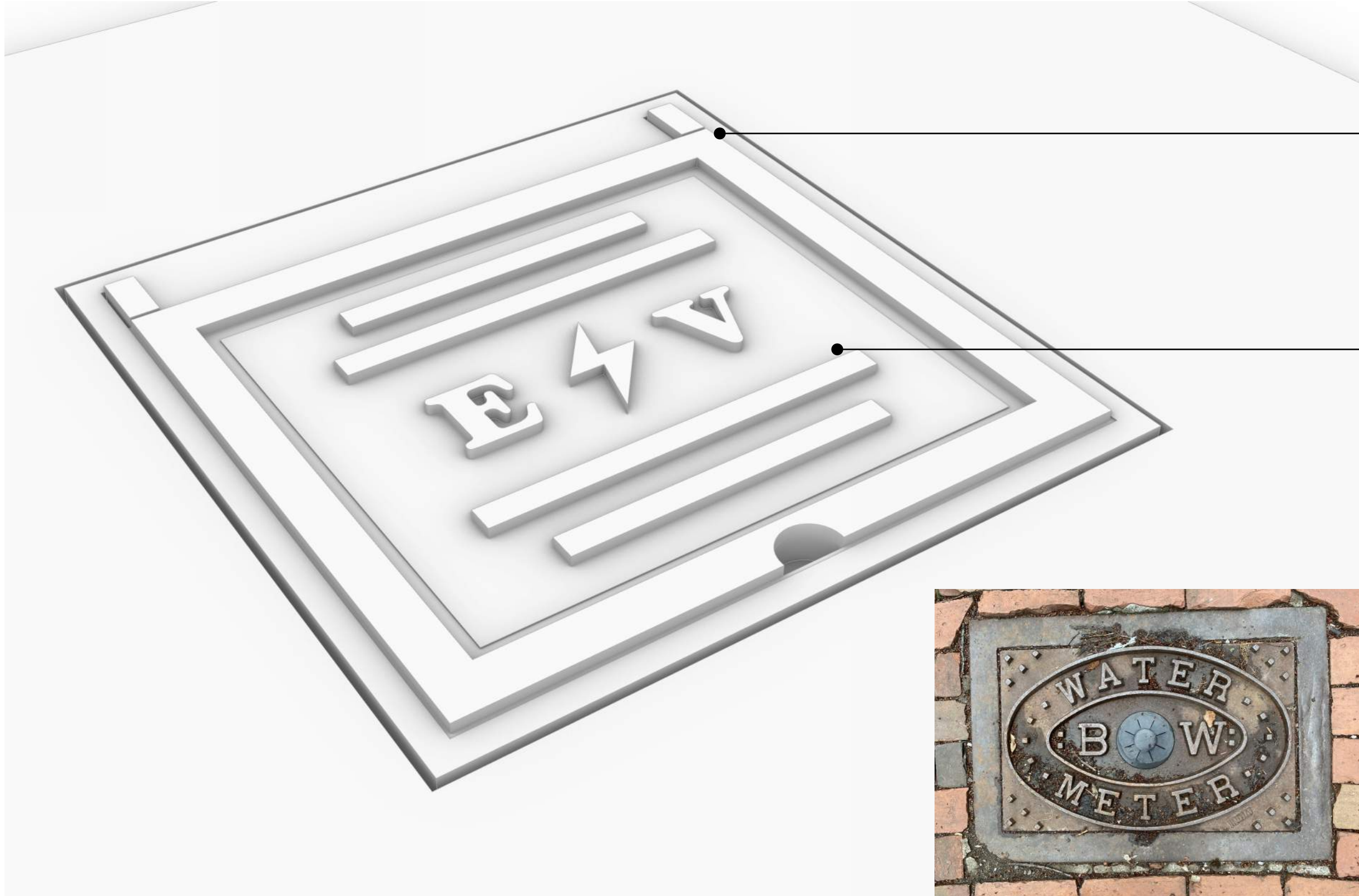


PROPOSED DESIGN

THOUGHT PROCESS :

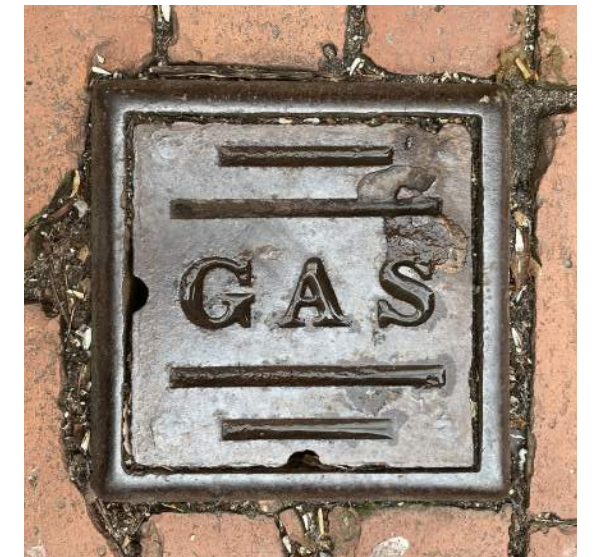


PRECEDENT BOX COVER & PROPOSED DESIGN



NEW BRONZE COVER TO
CONNECT AT EXISTING
HINGE POINTS

MATCH FONT, AND STYLING
OF LOCAL GAS AND WATER
METER PLATES



PROPOSED COVER DESIGN

YOUNISS RESIDENCE – 6 LOUISBURG SQUARE, BOSTON
JUNE 6th, 2023

