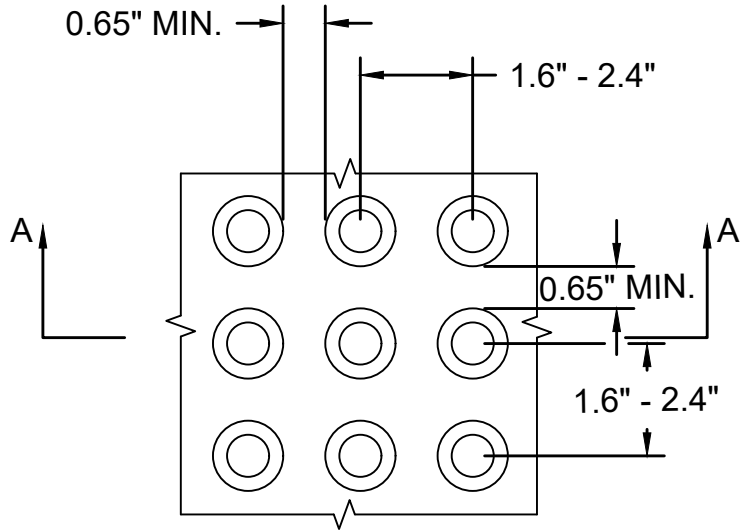


SECTION A-A



DETAIL OF DETECTABLE WARNING PANEL

NOTES:

1. DETECTABLE WARNING PANELS SHALL BE PERMANENTLY APPLIED TO THE PEDESTRIAN RAMP.
2. DETECTABLE WARNING PANELS SHALL MATCH THE WIDTH OF THE PEDESTRIAN RAMP.
3. DETECTABLE WARNING PANELS SHALL BE CAST IRON.
4. DETECTABLE WARNING PANELS SHALL BE FEDERAL YELLOW, CONFORMING TO THE REQUIREMENTS OF FEDERAL NO. 33538, UNLESS OTHERWISE SPECIFIED BY PWD. IF BRICK RED COLOR IS REQUESTED BY PWD, IT SHALL CONFORM WITH RAL 2001.
5. DETECTABLE WARNING PANELS SHALL BE INSTALLED PER THE MANUFACTURER'S RECOMMENDATIONS.



**Public Works Department
Engineering Division**

1 CITY HALL SQUARE, ROOM 710
BOSTON, MA 02201
(617) 635-4968

PEDESTRIAN RAMP - DETECTABLE
WARNING PANEL

DATE OF ISSUE:
JUNE 2023

SCALE: N.T.S.

DETAIL NO.

R.5