

BOSTON TRANSPORTATION DEPARTMENT

ELIOT STREET FROM POND STREET TO CENTRE STREET/SOUTH STREET

BOSTON, MA

INDEX

SHEET NO.	PLAN TITLE
1	TITLE AND INDEX
2-3	CONSTRUCTION DETAILS
4-5	SPEED HUMP PLANS
6-7	SIGNS AND PAVEMENT MARKINGS PLANS
8	SIGN SUMMARY



ALL WORK SHALL CONFORM TO THESE PLANS, THE BOSTON TRANSPORTATION DEPARTMENT STANDARDS AND SPECIFICATIONS, THE MASSACHUSETTS DEPARTMENT OF TRANSPORTATION STANDARD SPECIFICATIONS FOR HIGHWAYS AND BRIDGES DATED 1988, THE SUPPLEMENTAL SPECIFICATIONS DATED JULY 1, 2015, THE 2018 CONSTRUCTION STANDARD DETAILS, THE 1968 STANDARD DRAWINGS FOR TRAFFIC SIGNALS AND HIGHWAY LIGHTING, THE MANUAL ON UNIFORM TRAFFIC CONTROL DEVICES FOR STREETS AND HIGHWAYS, 2009 EDITION, AND ALL INTERIM REVISIONS PUBLISHED BY FEDERAL HIGHWAY ADMINISTRATION. WHERE CONFLICTS EXIST, THE BOSTON TRANSPORTATION DEPARTMENT STANDARDS AND SPECIFICATIONS SHALL GOVERN.

LOCUS PLAN
1" = 200'



DESIGNED BY D. MERROW
 DRAWN BY A. BORAH
 CHECKED BY J. MONACELLI
 APPROVED BY A. CORDING

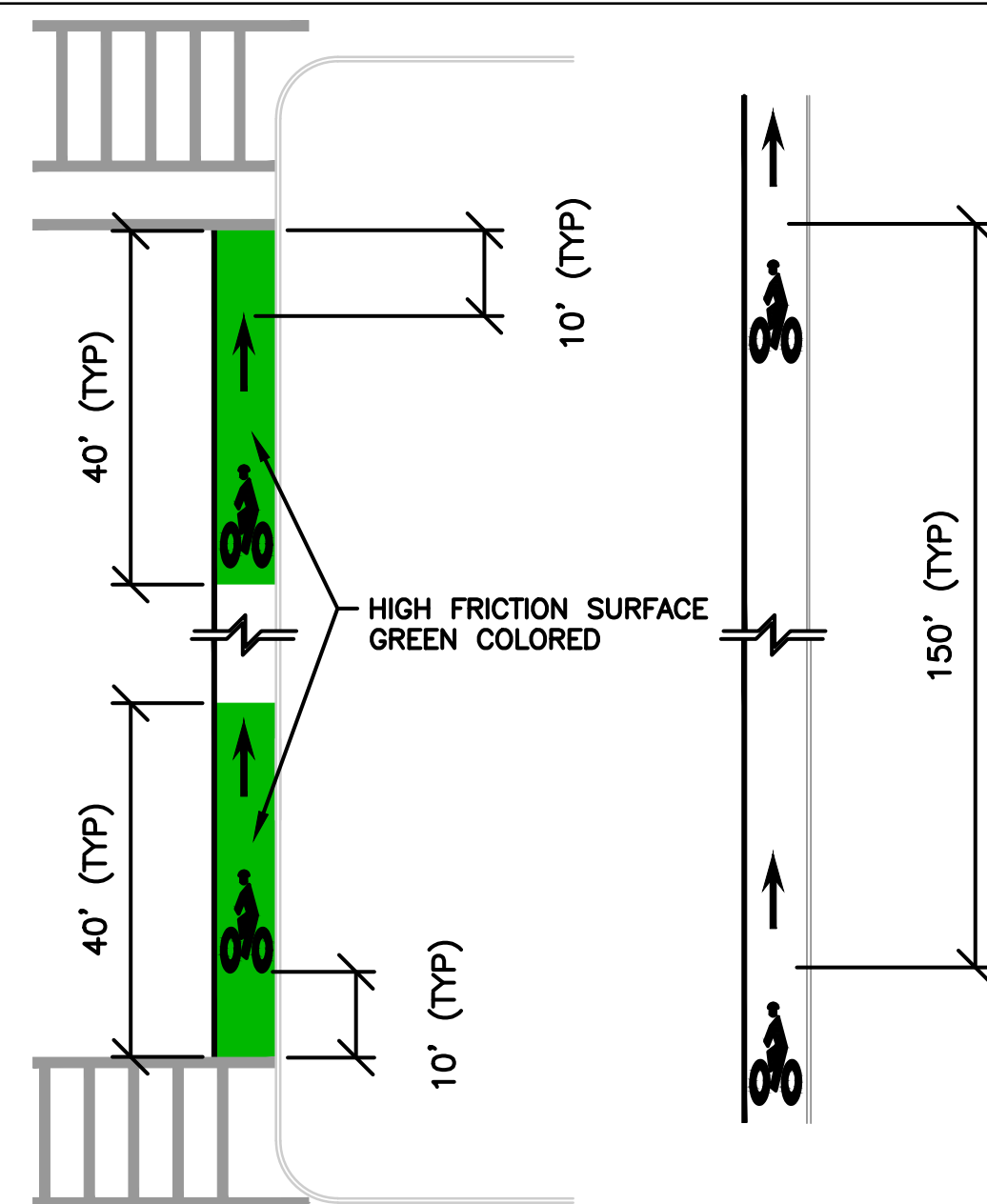
CITY OF BOSTON TRANSPORTATION DEPARTMENT
 ENGINEERING DIVISION
 CORRIDOR IMPROVEMENT PLANS

ELIOT STREET 100% PLANS

BOSTON

DATE: 08/2023

SHEET 1 OF 8

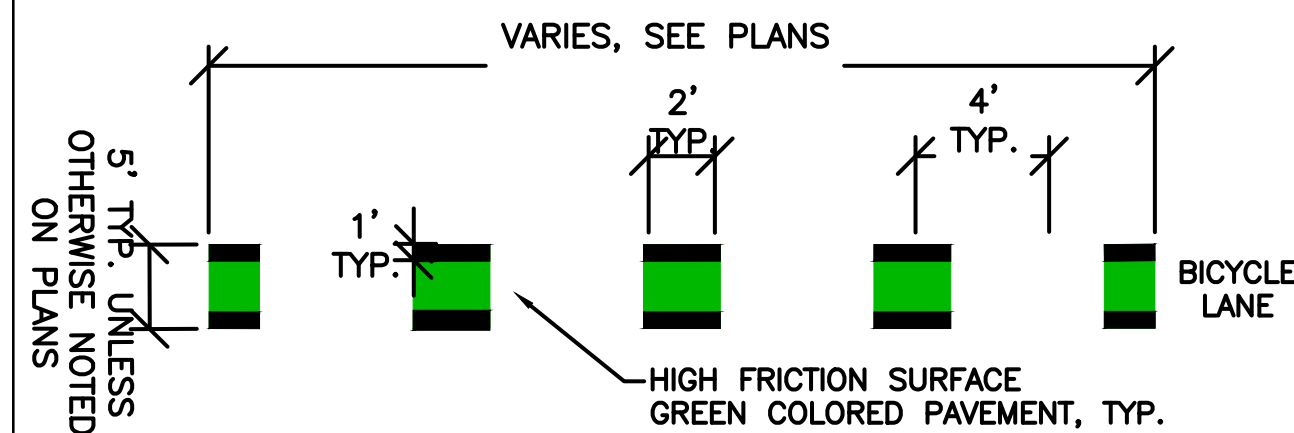


- NOTES:**
- DESIGN PLANS SHOULD BE CONSULTED FOR VARIATIONS

BIKE LANE SYMBOL SPACING

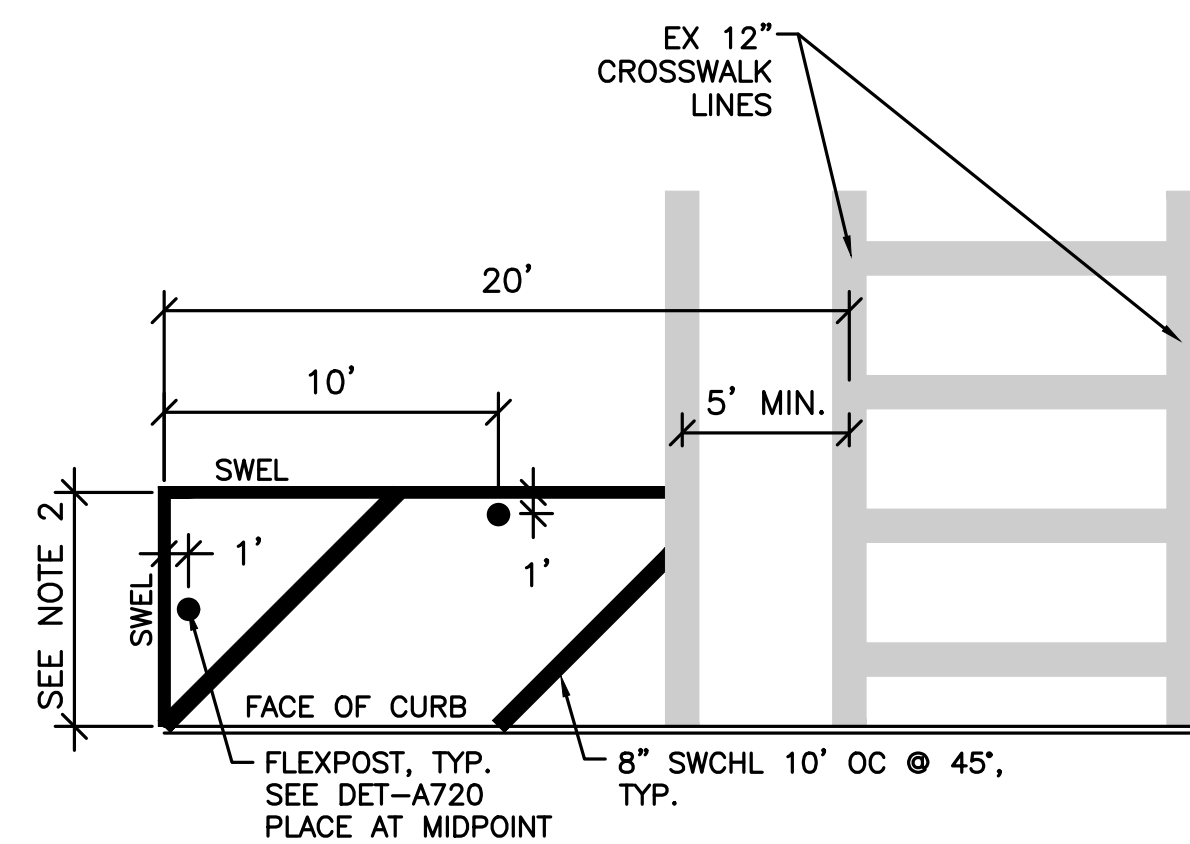
		SCALE: NOT TO SCALE	DATE: 1/1/20	DETAIL NO. A710
--	--	------------------------	-----------------	---------------------------

- BIKECROSS NOTES:**
- HIGH FRICTION GREEN COLORED PAVEMENT IS USED WHERE MOTOR VEHICLE TRAFFIC CAN TURN RIGHT ACROSS THE BICYCLE LANE. SEE PLANS FOR LOCATIONS.
 - INSTALL HIGH FRICTION GREEN COLORED PAVEMENT BETWEEN 2' DOTTED WHITE LANE LINES AS SHOWN ON PLANS.
 - INSTALL HIGH FRICTION GREEN COLORED PAVEMENT SO THAT CROSSWALK MARKINGS ARE NOT DISTURBED.
 - TRAVEL LANE WIDTHS ARE AS SHOWN ON PLANS.



TYPICAL INTERSECTION DETAIL

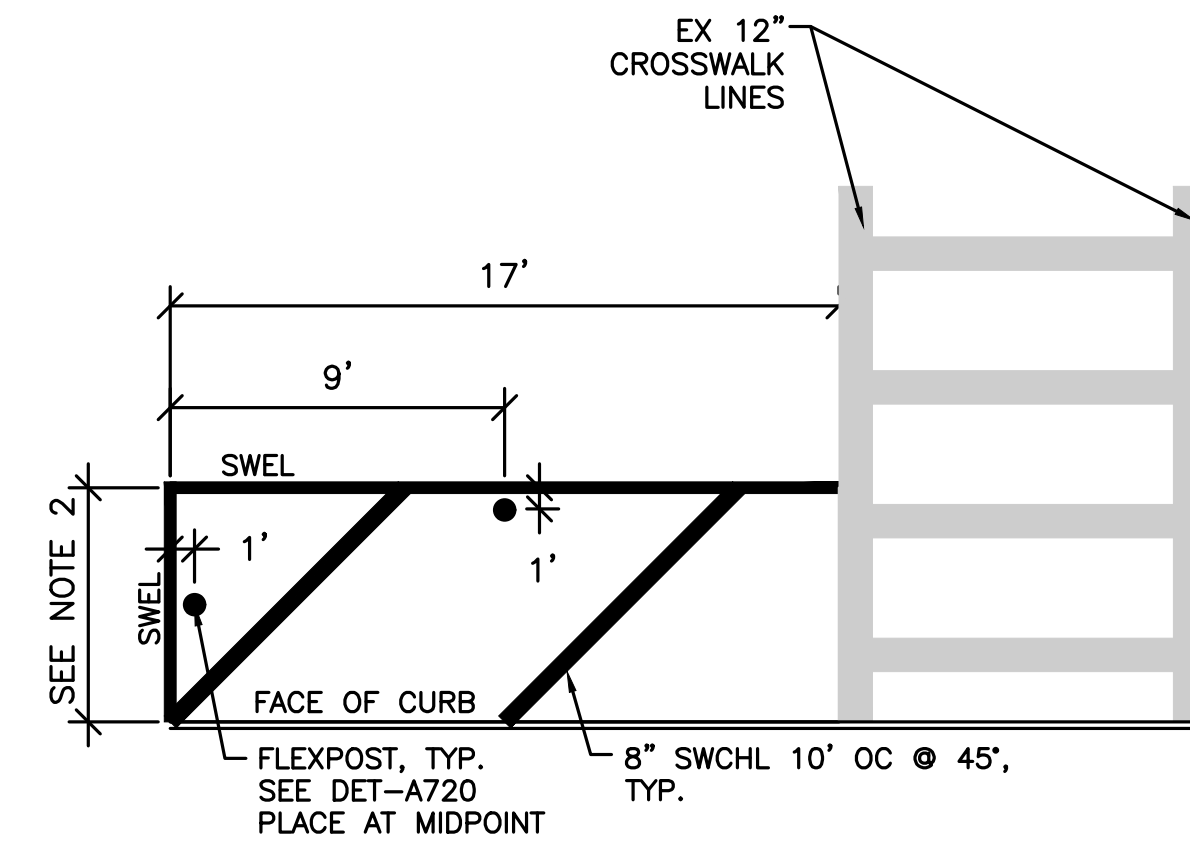
		SCALE: NOT TO SCALE	DATE: 1/1/20	DETAIL NO. A711
--	--	------------------------	-----------------	---------------------------



- NOTES:**
- INSTALL FLEXPOST SO THAT FLEXPOST BASE DOES NOT OVERLAP SWEL.
 - WIDTH SHALL MATCH ADJACENT PARKING LANE WIDTH/EDGE LINE.
 - DESIGN PLANS SHOULD BE CONSULTED FOR VARIATIONS.

DAYLIGHTING WITH EXISTING STOP BAR

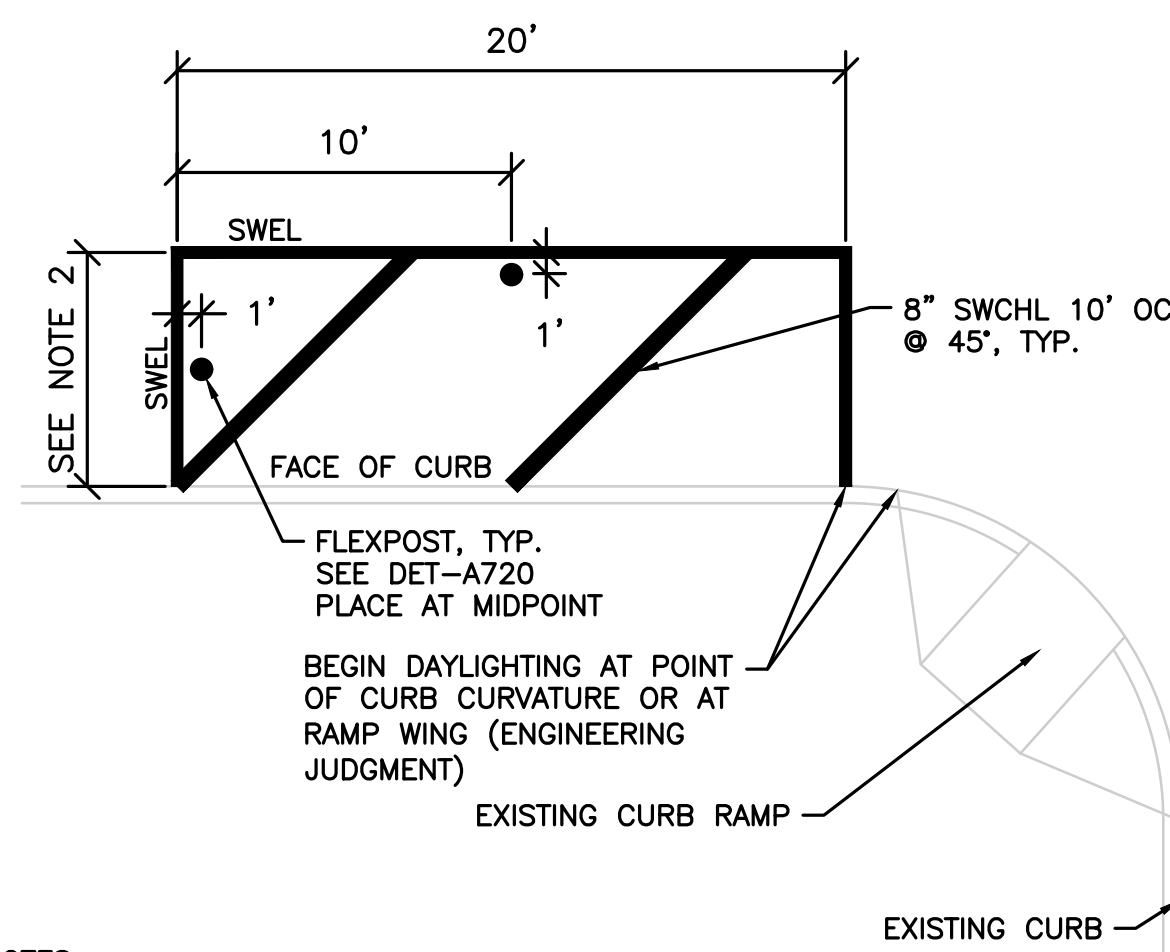
		SCALE: NOT TO SCALE	DATE: 1/1/20	DETAIL NO. A714
--	--	------------------------	-----------------	---------------------------



- NOTES:**
- INSTALL FLEXPOST SO THAT FLEXPOST BASE DOES NOT OVERLAP SWEL.
 - WIDTH SHALL MATCH ADJACENT PARKING LANE WIDTH/EDGE LINE.
 - DESIGN PLANS SHOULD BE CONSULTED FOR VARIATIONS.

DAYLIGHTING WITHOUT EXISTING STOP BAR

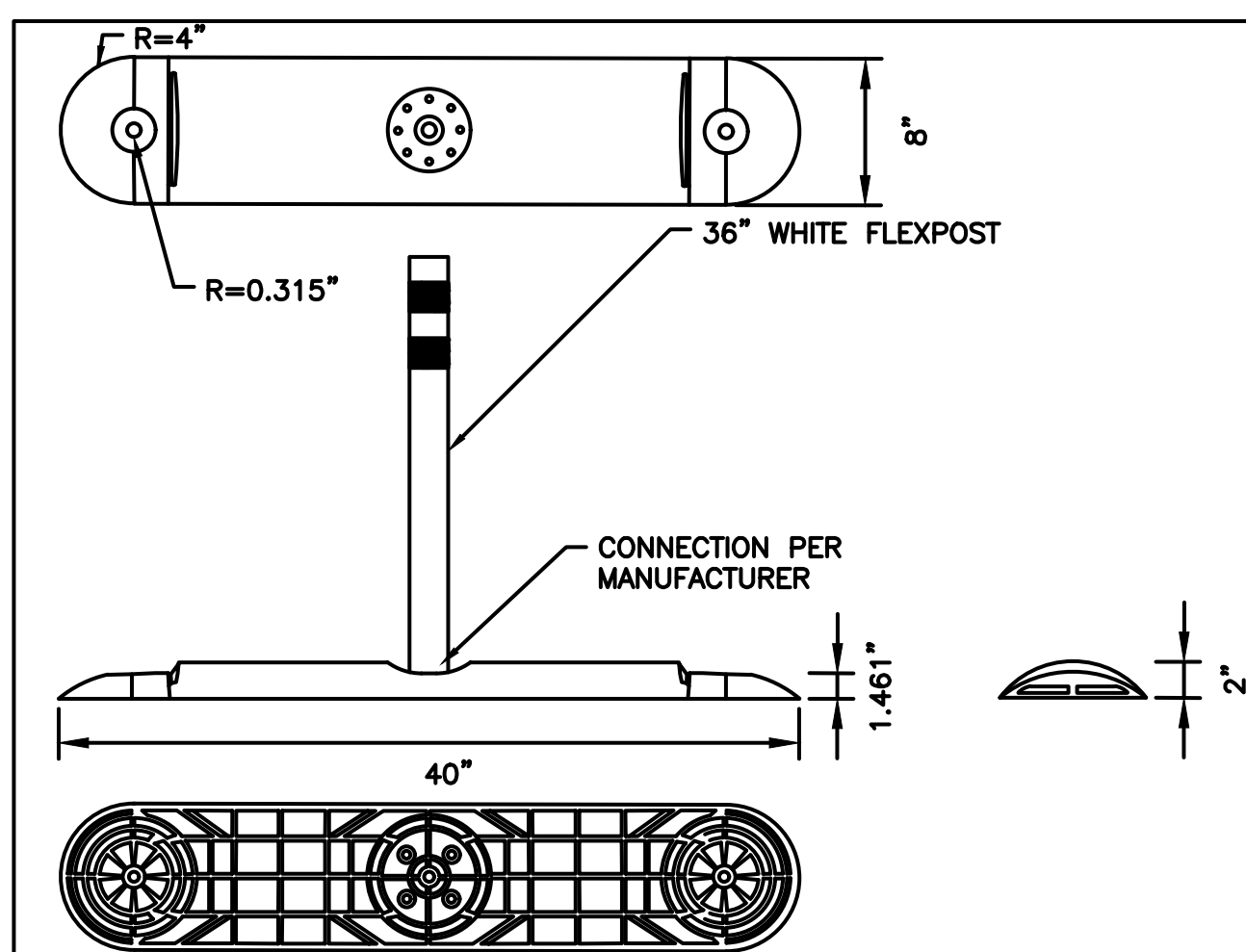
		SCALE: NOT TO SCALE	DATE: 1/1/20	DETAIL NO. A715
--	--	------------------------	-----------------	---------------------------



- NOTES:**
- INSTALL FLEXPOST SO THAT FLEXPOST BASE DOES NOT OVERLAP SWEL.
 - WIDTH SHALL MATCH ADJACENT PARKING LANE WIDTH/EDGE LINE.
 - DESIGN PLANS SHOULD BE CONSULTED FOR VARIATIONS.

DAYLIGHTING WITHOUT EXISTING CROSSWALK

		SCALE: NOT TO SCALE	DATE: 1/1/20	DETAIL NO. A716
--	--	------------------------	-----------------	---------------------------



- MANUFACTURING INFORMATION**
- INJECTION MOLDED
 - UV STABILIZED HDPE
 - COLOR: WHITE
- INTENDED USE**
- CRASHWORTHINESS TESTED TO 2009 M.A.S.H. STANDARD

- NOTES:**
- INSTALLATION TO BE COMPLETED IN ACCORDANCE WITH MANUFACTURER'S SPECIFICATIONS.
 - DIMENSIONS, MATERIALS, AND ATTACHMENTS MAY VARY BETWEEN MANUFACTURERS.
 - PER CITY OF BOSTON SPECS FOR IN-GROUND CORED-BASE FLEXPOST.
 - DESIGN PLANS SHOULD BE CONSULTED FOR VARIATIONS.
 - IF LOCATED ON BRIDGE BASE MUST BE GLUED TO BRIDGE DECK INSTEAD OF CORED.

TRAFFIC SEPARATOR CURB (MODULAR BASE)

		SCALE: NOT TO SCALE	DATE: 1/1/20	DETAIL NO. A720
--	--	------------------------	-----------------	---------------------------

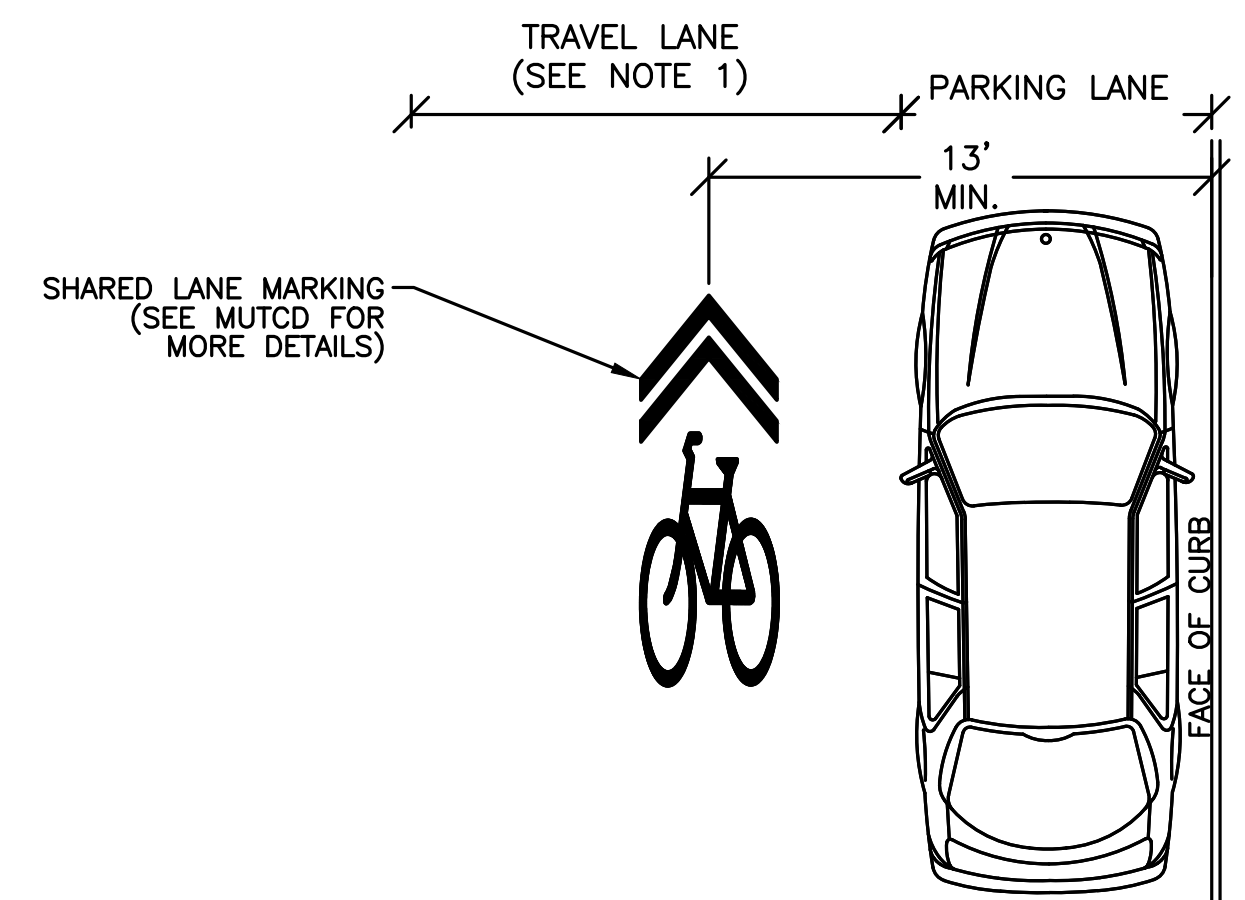


DESIGNED BY D. MERROW
 DRAWN BY A. BORAH
 CHECKED BY J. MONACELLI
 APPROVED BY A. CORDING

CITY OF BOSTON TRANSPORTATION DEPARTMENT
 ENGINEERING DIVISION
 CORRIDOR IMPROVEMENT PLANS
ELIOT STREET
CONSTRUCTION DETAILS
 BOSTON

DATE: 08/2023

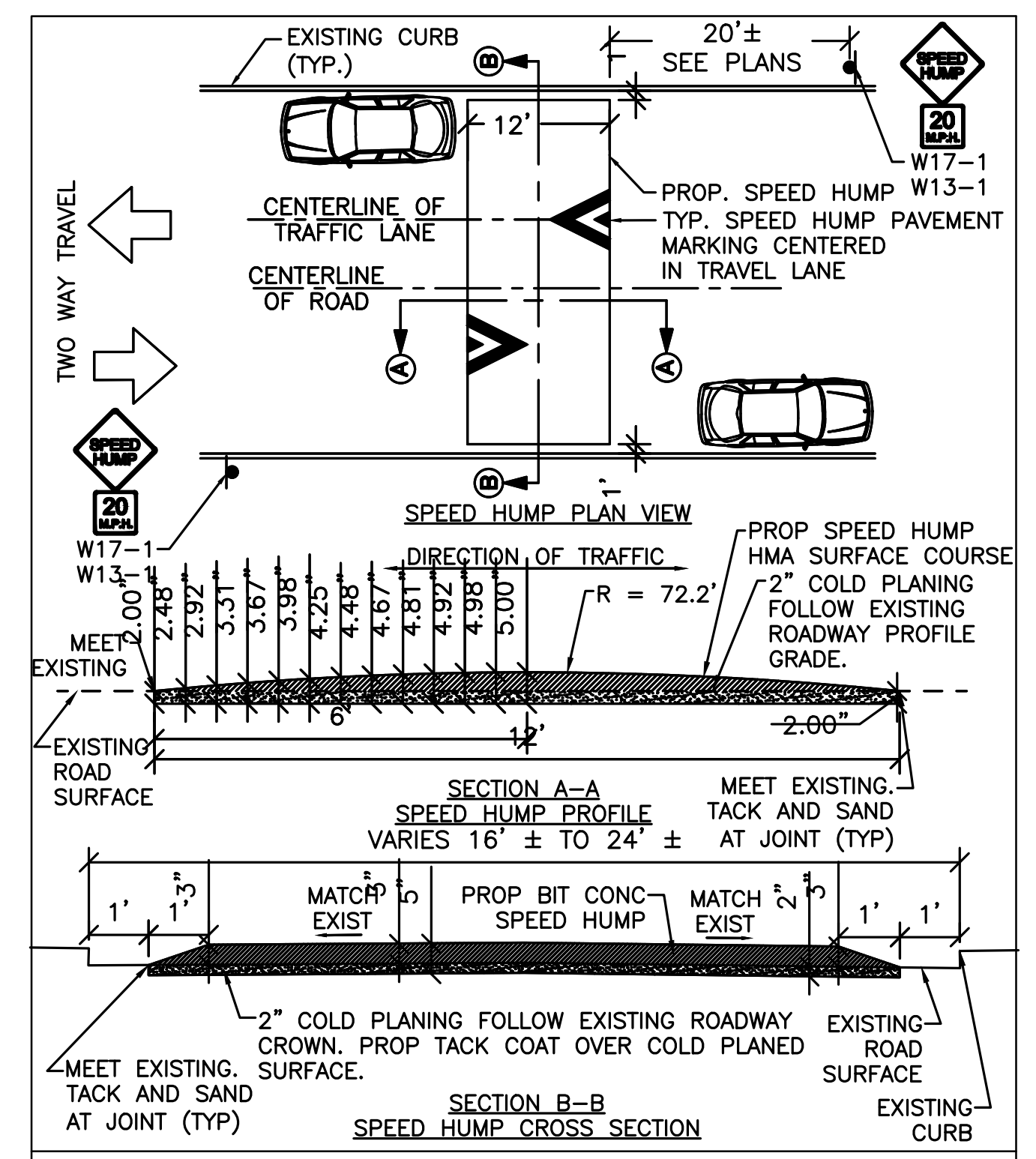
SHEET 2 OF 8






- NOTES:**
1. IF TRAVEL LANE IS LESS THAN 14' SHARED LANE MARKING SHALL BE CENTERED IN TRAVEL LANE.
 2. DESIGN PLANS SHOULD BE CONSULTED FOR VARIATIONS.

**TYPICAL SHARED LANE MARKINGS SYMBOL
ADJACENT TO ON-STREET PARKING**

		SCALE: NOT TO SCALE	DATE: 1/1/20	DETAIL NO. A721
---	---	------------------------	-----------------	---------------------------



SPEED HUMP TYPICAL DETAIL

		Public Works Department Engineering Division 100 W. BOSTON, ROOM 710 BOSTON, MA 02111		SCALE: NOT TO SCALE	DATE: 1/1/20	DETAIL NO. A724
--	---	--	---	------------------------	-----------------	---------------------------



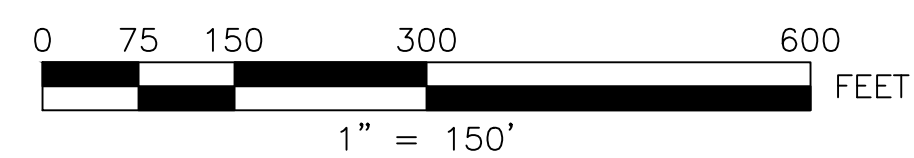
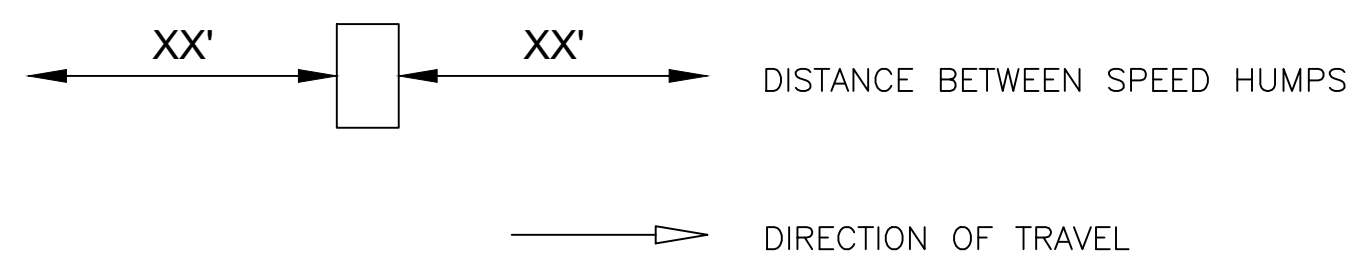
CITY OF BOSTON TRANSPORTATION DEPARTMENT
ENGINEERING DIVISION
CORRIDOR IMPROVEMENT PLANS
ELIOT STREET
CONSTRUCTION DETAILS
BOSTON

DESIGNED BY D. MERROW
DRAWN BY A. BORAH
CHECKED BY J. MONACELLI
APPROVED BY A. CORDING

DATE: 08/2023
SHEET 3 OF 8



LEGEND



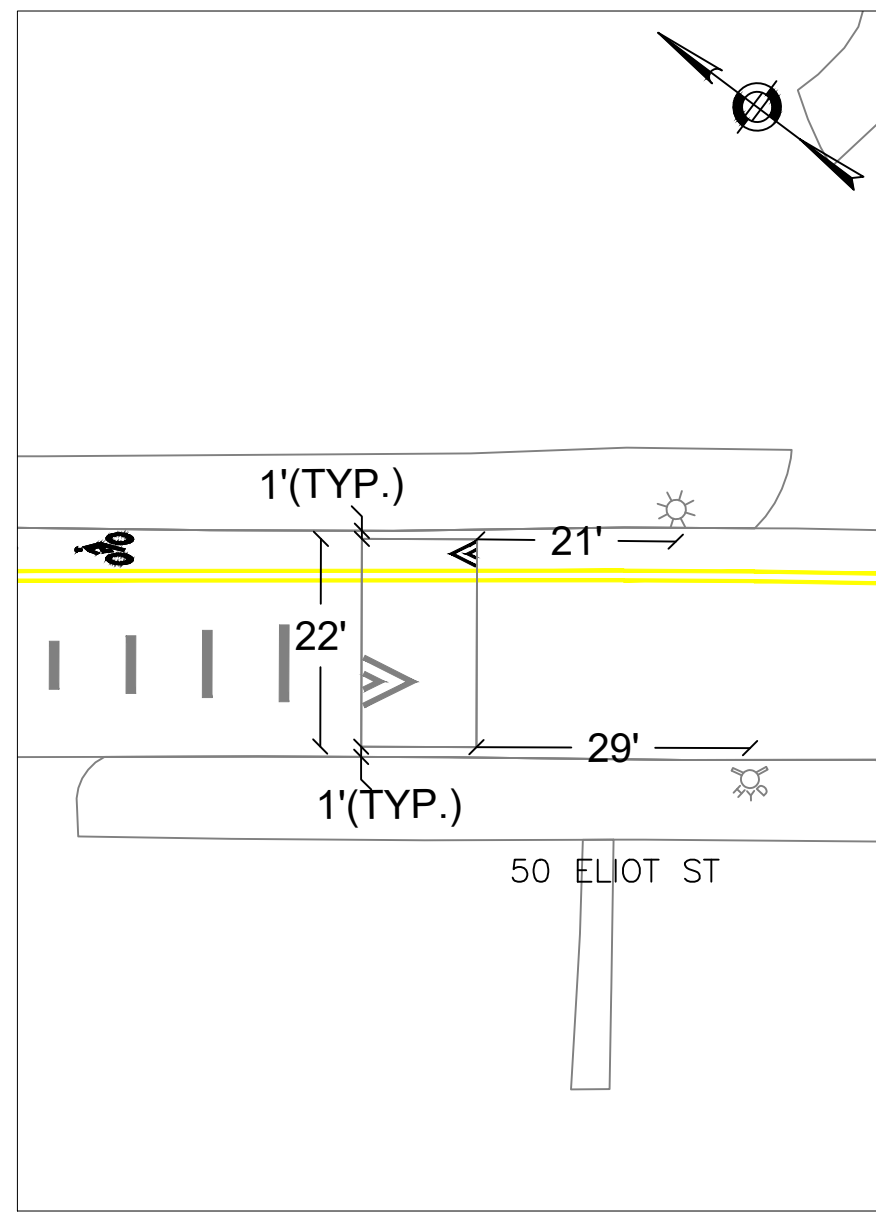
DESIGNED BY D. MERROW
 DRAWN BY A. BORAH
 CHECKED BY J. MONACELLI
 APPROVED BY A. CORDING

CITY OF BOSTON TRANSPORTATION DEPARTMENT
 ENGINEERING DIVISION
 CORRIDOR IMPROVEMENT PLANS
**ELIOT STREET
 SPEED HUMP LOCATION PLAN**
 BOSTON

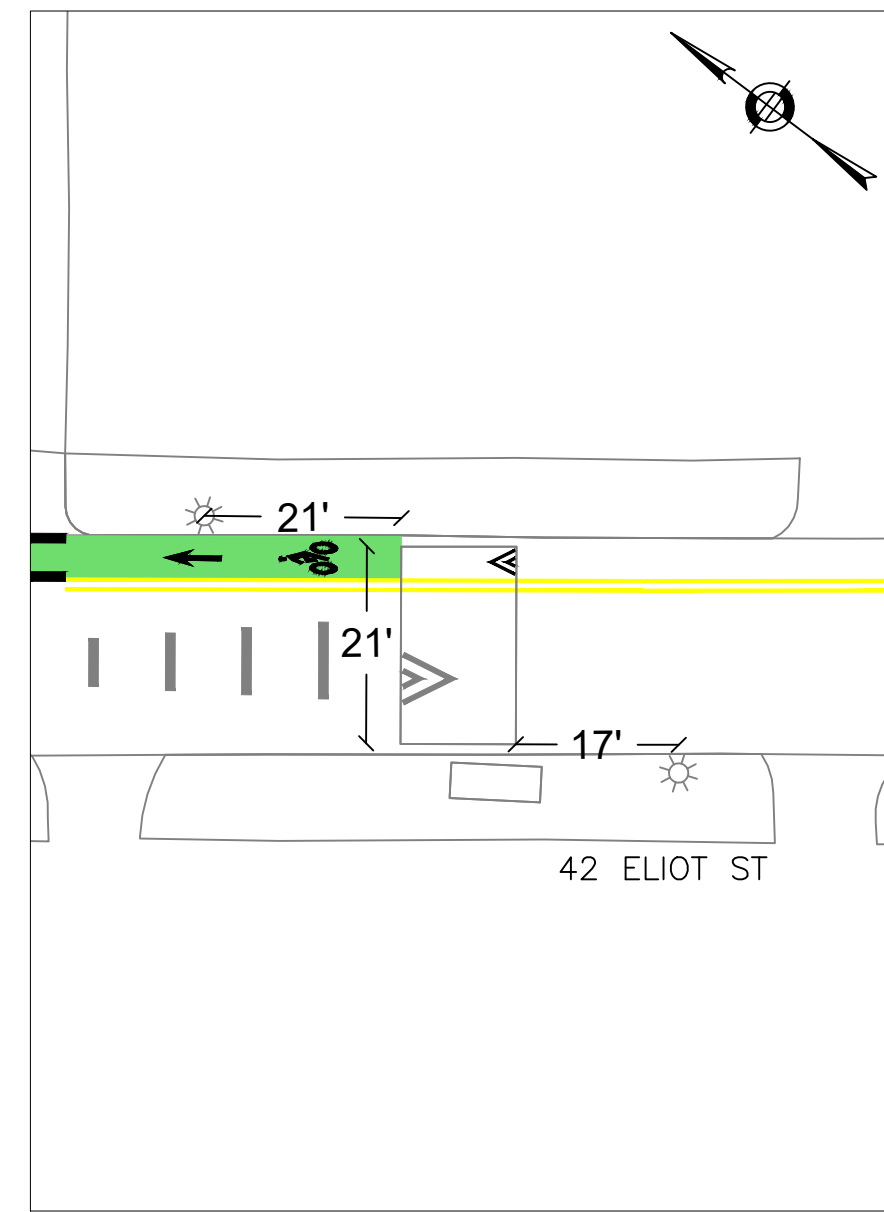
SCALE: 1" = 150'

DATE: 08/2023

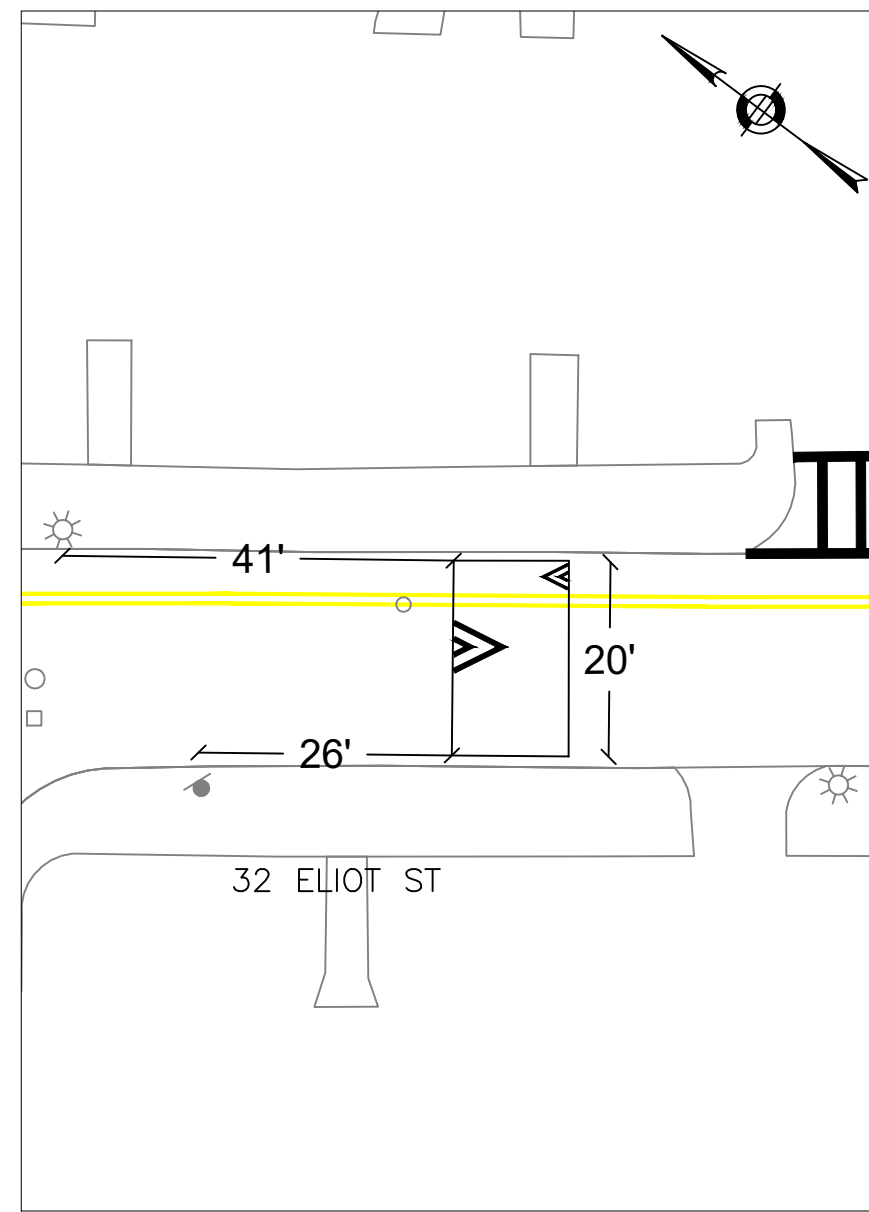
SHEET 4 OF 8



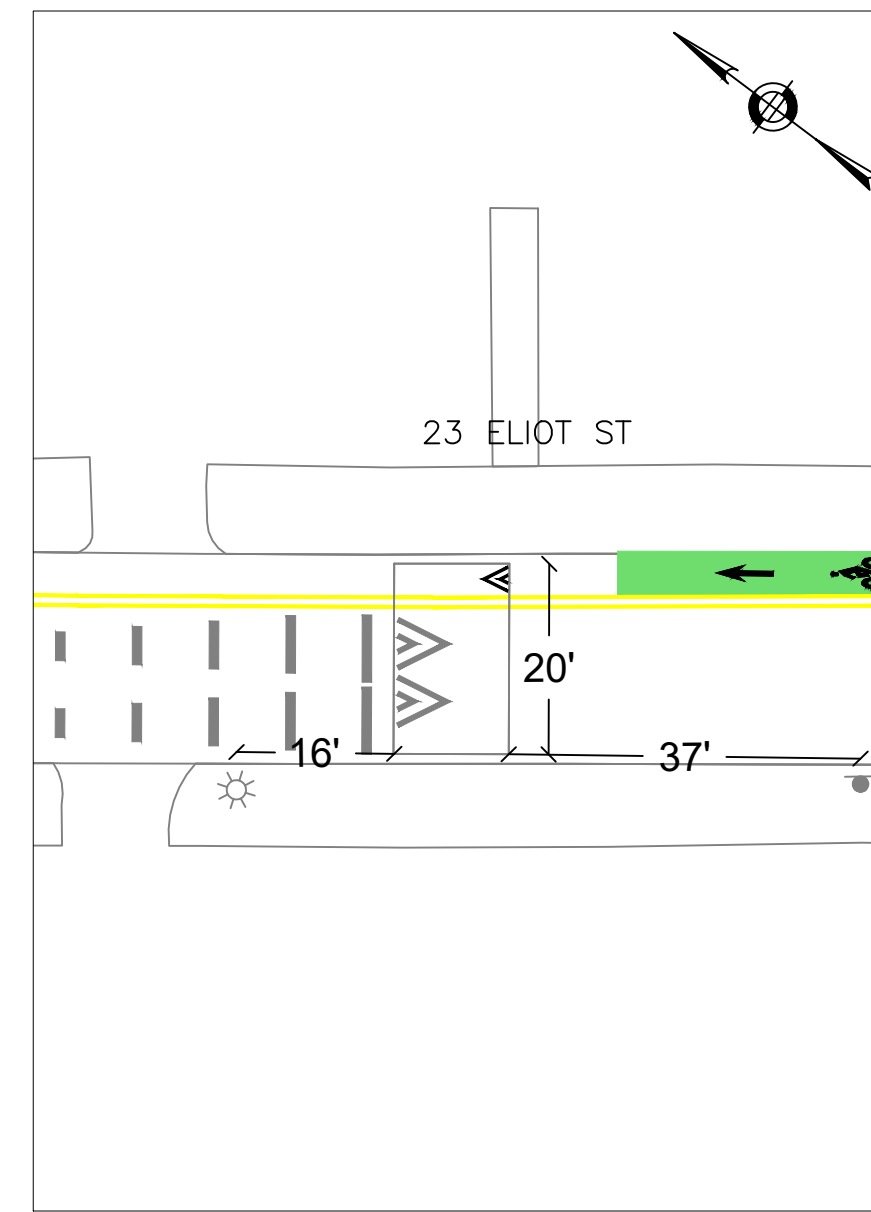
50 ELIOT STREET
SCALE 1" = 20'



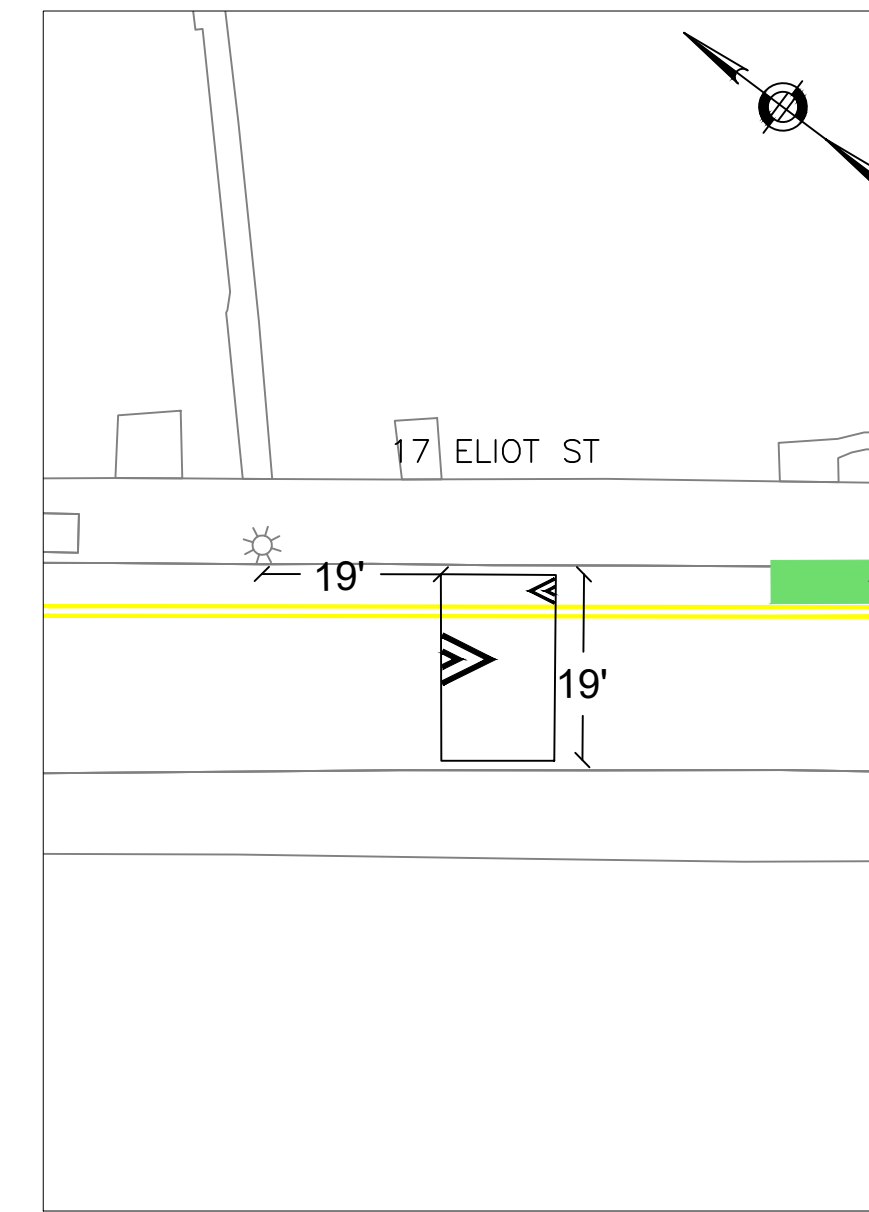
42 ELIOT STREET
SCALE 1" = 20'



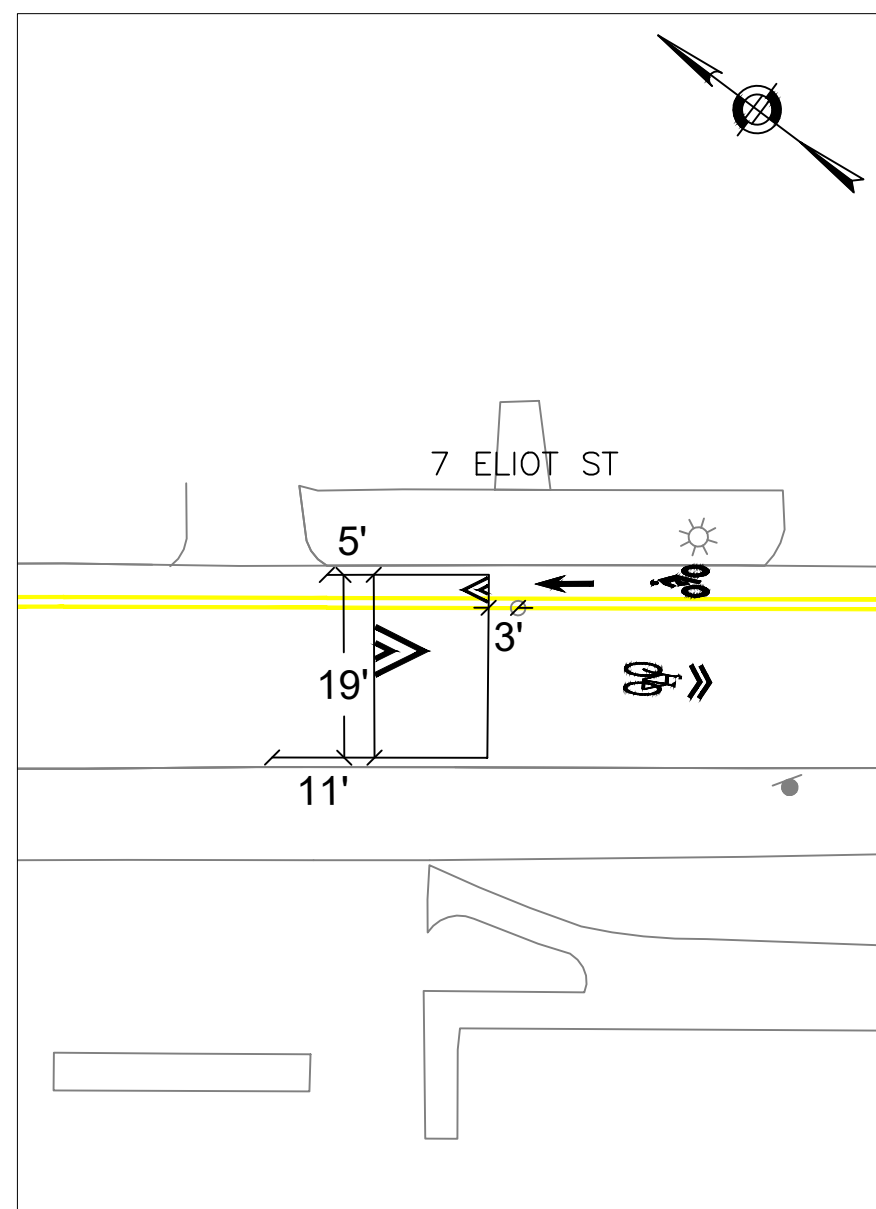
32 ELIOT STREET
SCALE 1" = 20'



23 ELIOT STREET
SCALE 1" = 20'



17 ELIOT STREET
SCALE 1" = 20'



7 ELIOT STREET
SCALE 1" = 20'



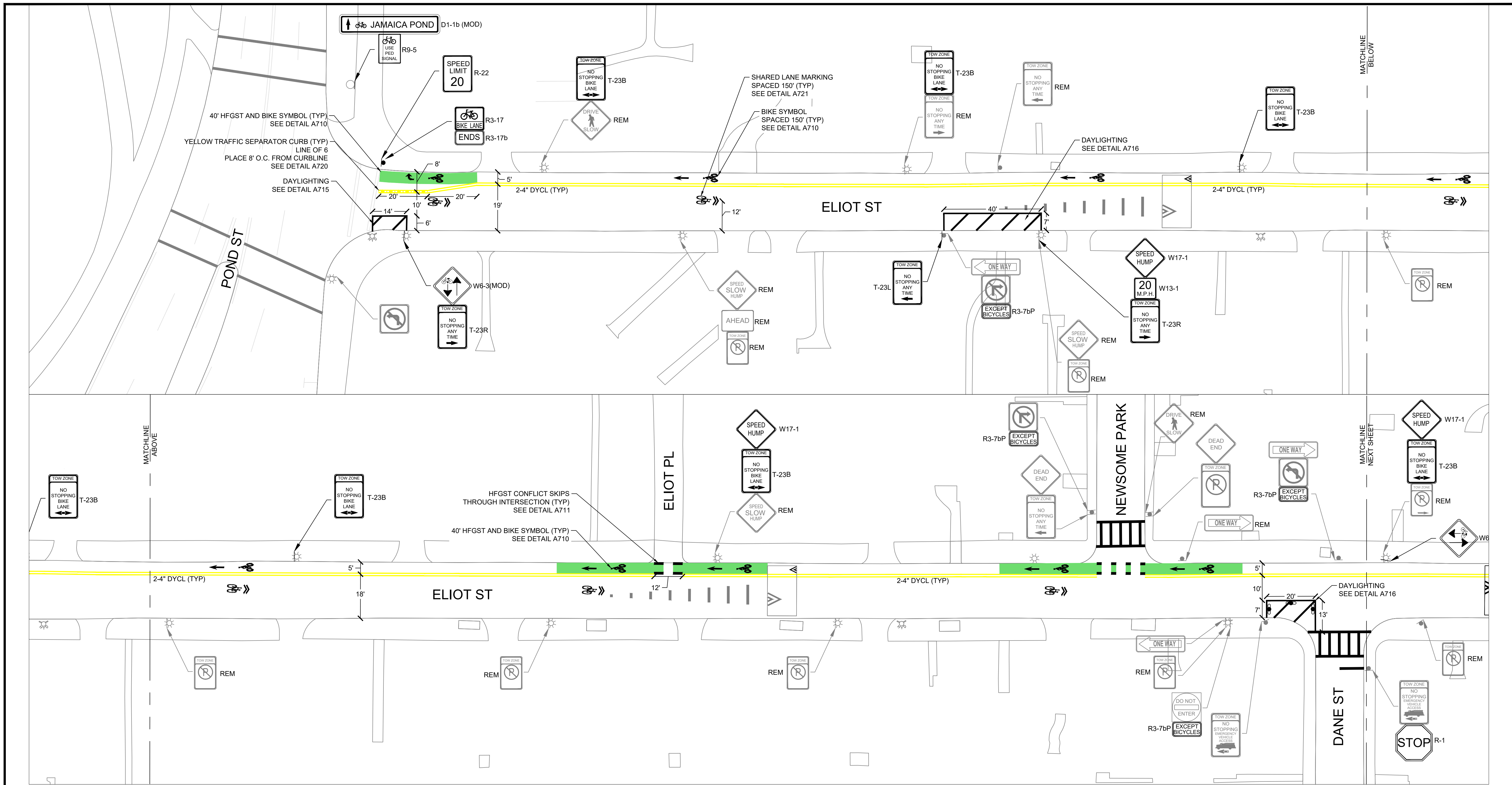
DESIGNED BY D. MERROW
 DRAWN BY A. BORAH
 CHECKED BY J. MONACELLI
 APPROVED BY A. CORDING

CITY OF BOSTON TRANSPORTATION DEPARTMENT
 ENGINEERING DIVISION
 CORRIDOR IMPROVEMENT PLANS
ELIOT STREET
SPEED HUMP LOCATION DETAIL
 BOSTON

SCALE: 1" = 20'

DATE: 08/2023

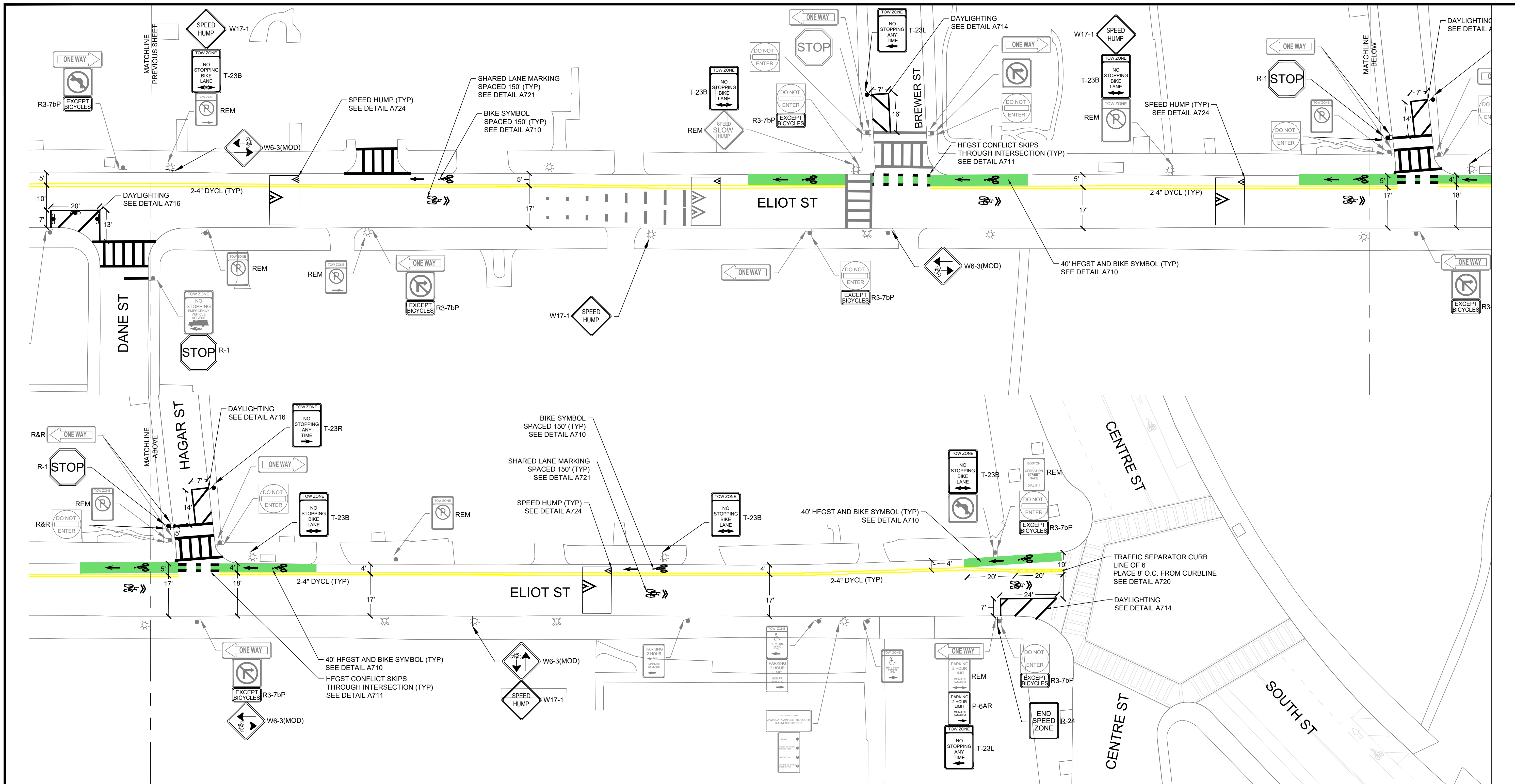
SHEET 5 OF 8



DESIGNED BY D. MERROW
 DRAWN BY A. BORAH
 CHECKED BY J. MONACELLI
 APPROVED BY A. CORDING

CITY OF BOSTON TRANSPORTATION DEPARTMENT
 ENGINEERING DIVISION
 CORRIDOR IMPROVEMENT PLANS
**ELIOT STREET
 PAVEMENT MARKINGS**
 BOSTON

SCALE: 1" = 20'
 DATE: 08/2023
 SHEET 6 OF 8



DESIGNED BY D. MERROW
 DRAWN BY A. BORAH
 CHECKED BY J. MONACELLI
 APPROVED BY A. CORDING

CITY OF BOSTON TRANSPORTATION DEPARTMENT
 ENGINEERING DIVISION
 CORRIDOR IMPROVEMENT PLANS
**ELIOT STREET
 PAVEMENT MARKINGS**
 BOSTON

SCALE: 1" = 20' DATE: 08/2023
 SHEET 7 OF 8

SIGN SUMMARY TABLE

IDENTIFI- CATION NUMBER	SIZE OF SIGN		TEXT	TEXT DIMENSIONS (INCHES)			NUMBER OF SIGNS REQUIRED	COLOR			POST SIZE AND NUMBER REQUIRED	UNIT AREA (S.F.)	AREA IN SQUARE FEET
	WIDTH	HEIGHT		LETTER HEIGHT	VERTICAL SPACING	ARROW RTE. MKR.		BACK- GROUND	LEGEND	BORDER			
R9-5	12"	18"		PER MUTCD	PER MUTCD	PER MUTCD	1	WHITE	BLACK	BLACK	MOUNT AS APPLICABLE	1.5	1.5
T-23R	12"	18"					3	WHITE	RED	RED	MOUNT AS APPLICABLE	1.5	4.5
T-23L	12"	18"					3	WHITE	RED	RED	MOUNT AS APPLICABLE	1.5	4.5
T-23B	12"	18"					11	WHITE	RED	RED	MOUNT AS APPLICABLE	1.5	16.5
D1-1b (MOD)	VARIES	6"					1	GREEN	WHITE	WHITE	MOUNT AS APPLICABLE	X	X
R-22	24"	30"					1	WHITE	BLACK	BLACK	MOUNT AS APPLICABLE	5.0	5.0
R-24	24"	30"					1	WHITE	BLACK	BLACK	MOUNT AS APPLICABLE	5.0	5.0
W13-1	18"	18"					1	YELLOW	BLACK	BLACK	MOUNT AS APPLICABLE	2.25	2.25
R3-17	24"	18"					1	WHITE	BLACK	BLACK	MOUNT AS APPLICABLE	3.0	3.0
R3-7bP	24"	12"					10	WHITE	BLACK	BLACK	MOUNT AS APPLICABLE	2.0	20.0
R3-17b	24"	8"					1	WHITE	BLACK	BLACK	MOUNT AS APPLICABLE	1.3	1.3
W6-3 (MOD)	24"	24"					5	YELLOW	BLACK	BLACK	MOUNT AS APPLICABLE	4.0	20.0
P-6AR	12"	18"					1	WHITE	GREEN	GREEN	MOUNT AS APPLICABLE	1.5	1.5
W17-1	24"	24"					6	YELLOW	BLACK	BLACK	MOUNT AS APPLICABLE	4.0	24.0
R-1	30"	30"					2	RED	WHITE	WHITE	MOUNT AS APPLICABLE	6.25	12.5



DESIGNED BY D. MERROW
 DRAWN BY A. BORAH
 CHECKED BY J. MONACELLI
 APPROVED BY A. CORDING

CITY OF BOSTON TRANSPORTATION DEPARTMENT
 ENGINEERING DIVISION
 CORRIDOR IMPROVEMENT PLANS
**ELIOT STREET
 SIGN SUMMARY**
 BOSTON

DATE: 08/2023

SHEET 8 OF 8