



Open transom
and install clear
tempered glass

64
Replace door

Keep existing sidelights

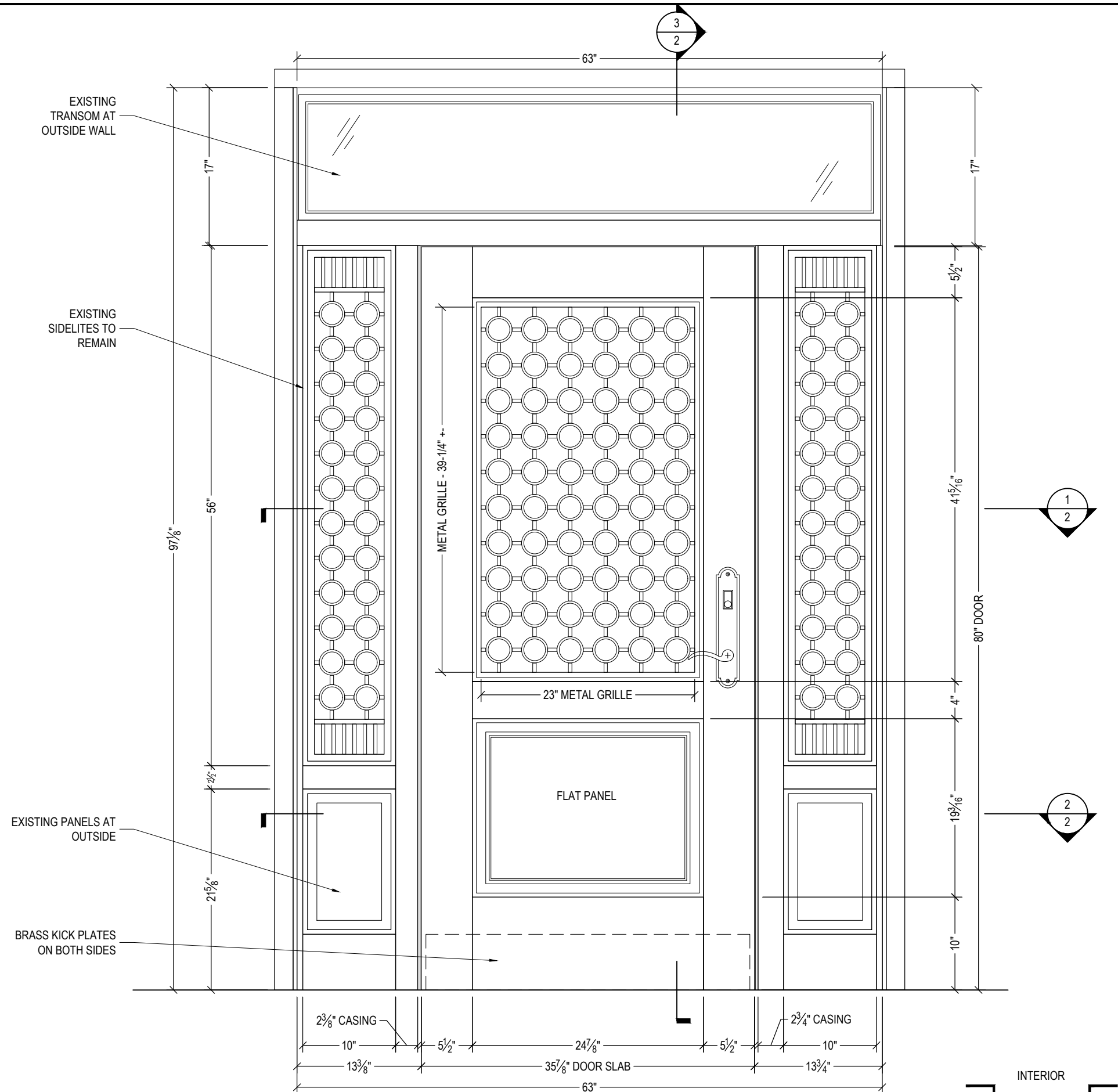
HIRED



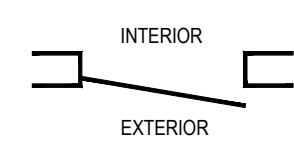
Remove and replace mismatched/damaged trim



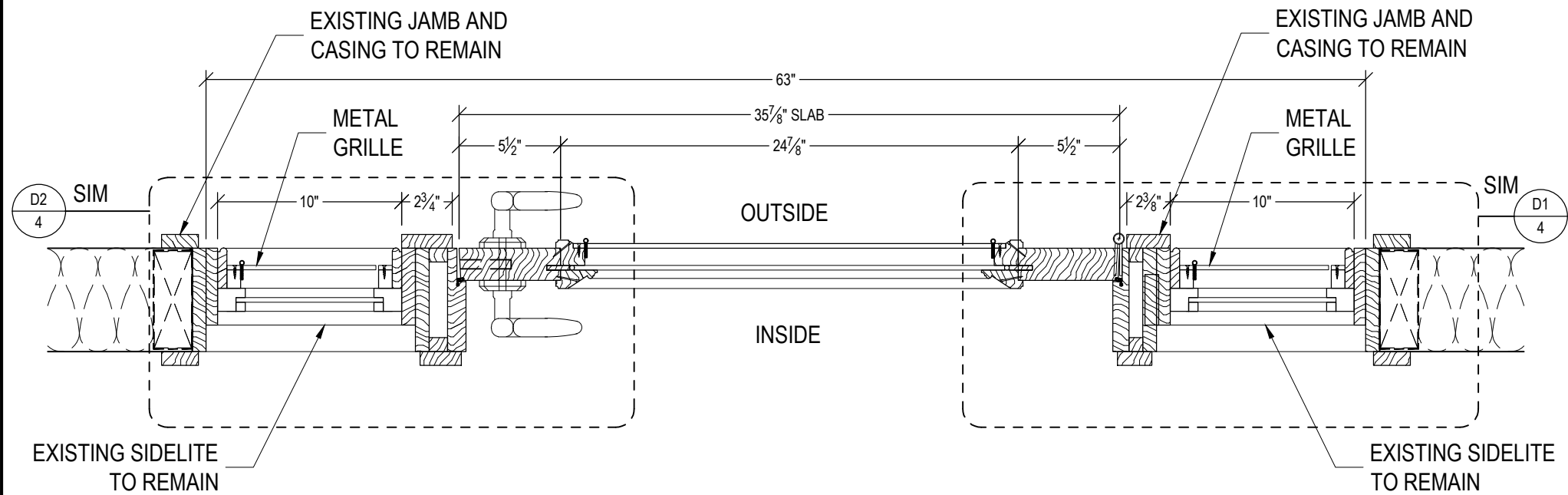




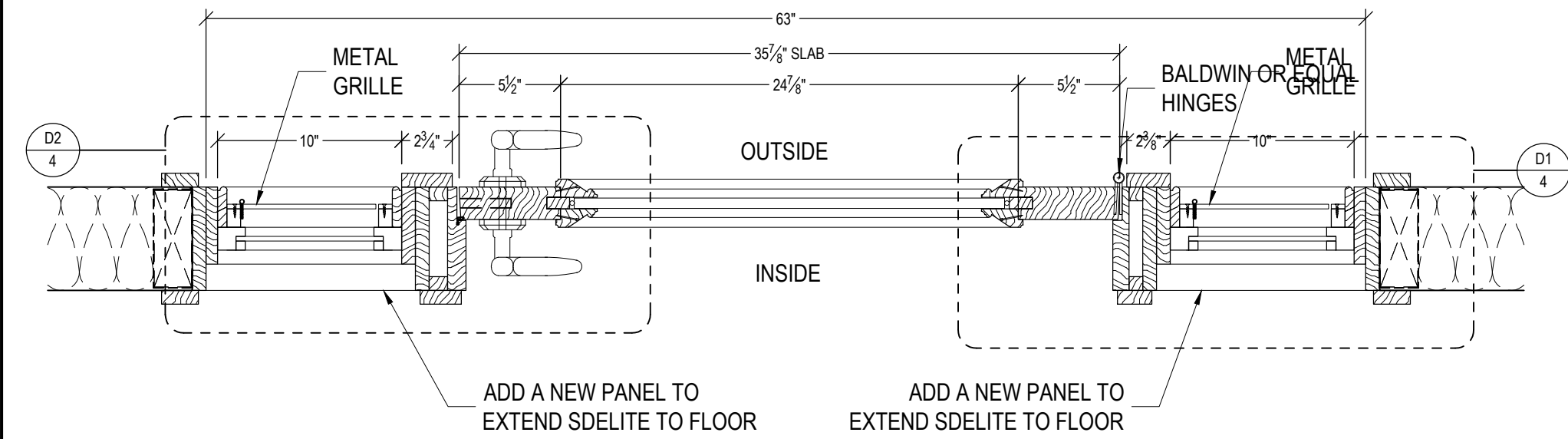
1 ELEVATION VIEW @ ENTRY DOOR - EXTERIOR
 SCALE: 1"=1'-0" ARCH REF: N/A



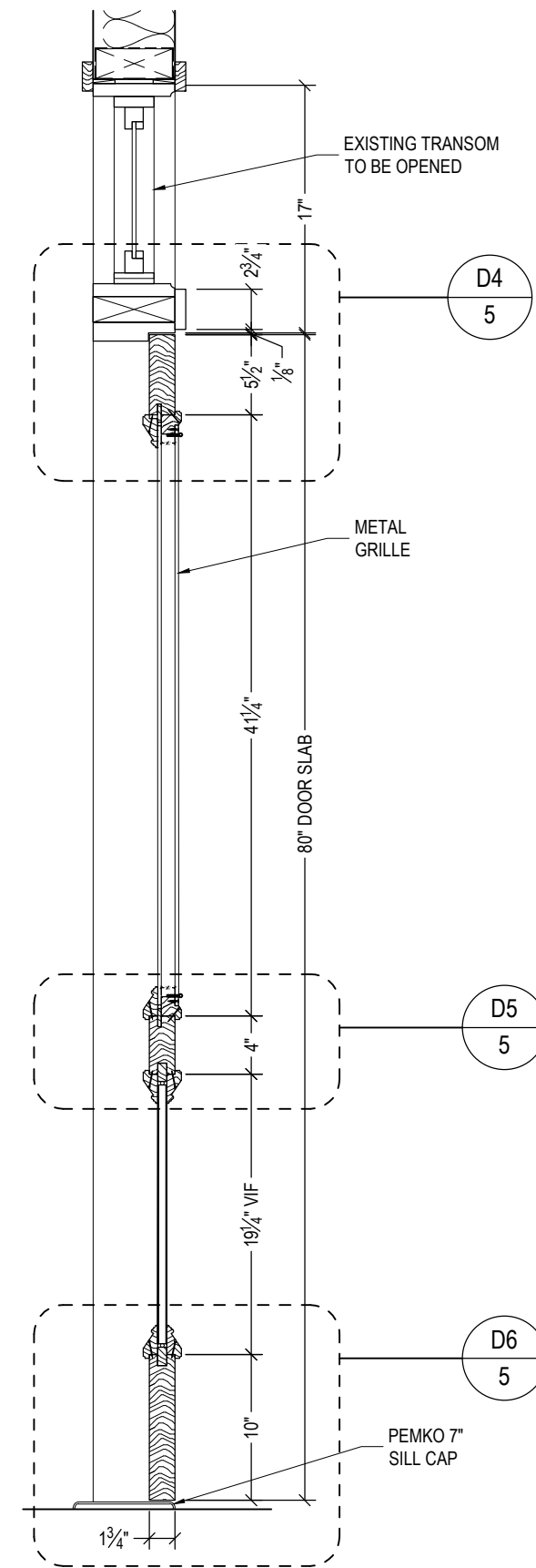
MATERIALS			
WOOD:	TBD		
WOOD VENEER:	TBD		
DOOR PANEL CORE:	MR50 MDF		
HARDWARE			
HINGES:	TBD		
DOOR BOTTOM:	TBD		
GLASS			
DOOR GLASS:	1/2" TEMPERED GLASS		
FINISHES			
FINISH TO MATCH APPROVED SAMPLE			
EA Custom Millwork 76 Sutton St PO Box 507 Northbridge, MA 01534 www.eacustommillwork.com everett@eacustommillwork.com			
SUBMITTAL		.	
SUBMITTAL (REVISED)		.	
LATE REVISION		.	
Since wood is a natural material, variations in color, texture, & grain may occur. (See AIA section 100) architectural millwork is a finish trade & installation should follow other trades in a controlled environment. Damage by other trades or from being subject to extreme conditions (relative humidity below 25% or above 55%) will result in additional costs and or void the warranty. (See AIA section 1700)			
64 COMMONWEALTH AVE.			
DESIGN		CONTRACTOR	
EA		EA	
DATE	DRAWN BY	JOB #	SHEET
05-16-24	MDS	.	1 of 4
SCALE	AS NOTED		



1 PLAN SECTION VIEW @ ENTRY DOOR - GLASS AREA
 SCALE: 1-1/2"=1'-0" ARCH REF: N/A

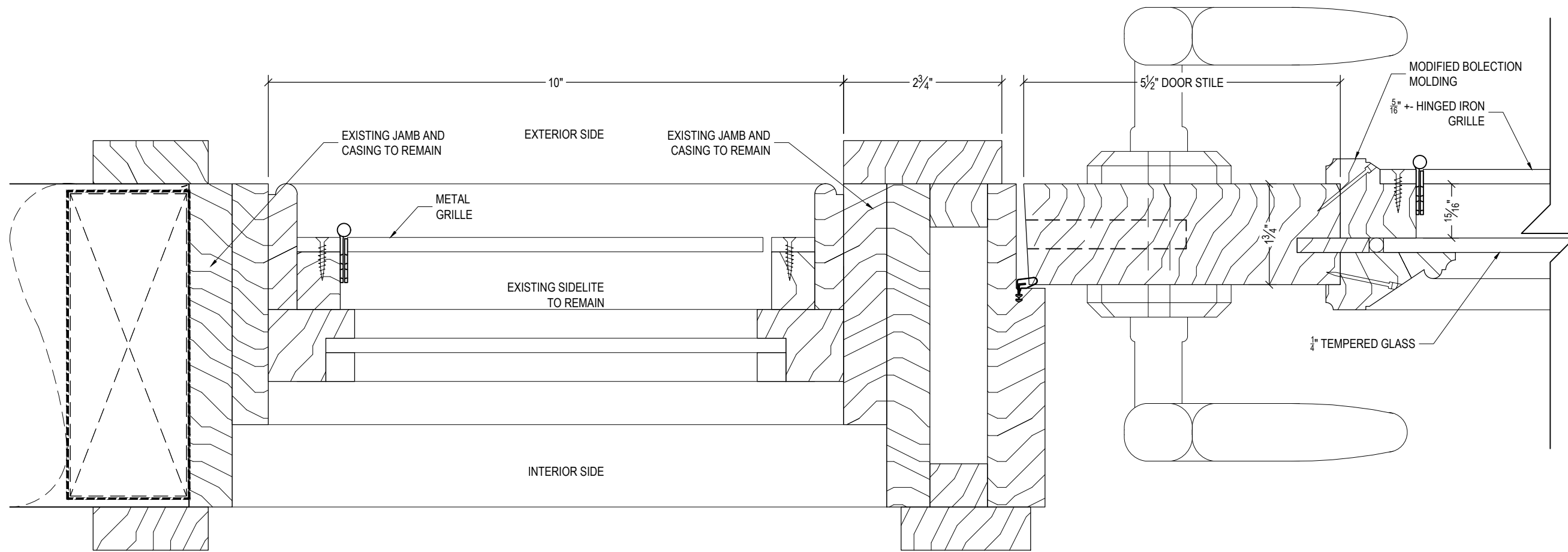


2 PLAN SECTION VIEW @ ENTRY DOOR - WOOD PANEL AREA
 SCALE: 1-1/2"=1'-0" ARCH REF: N/A

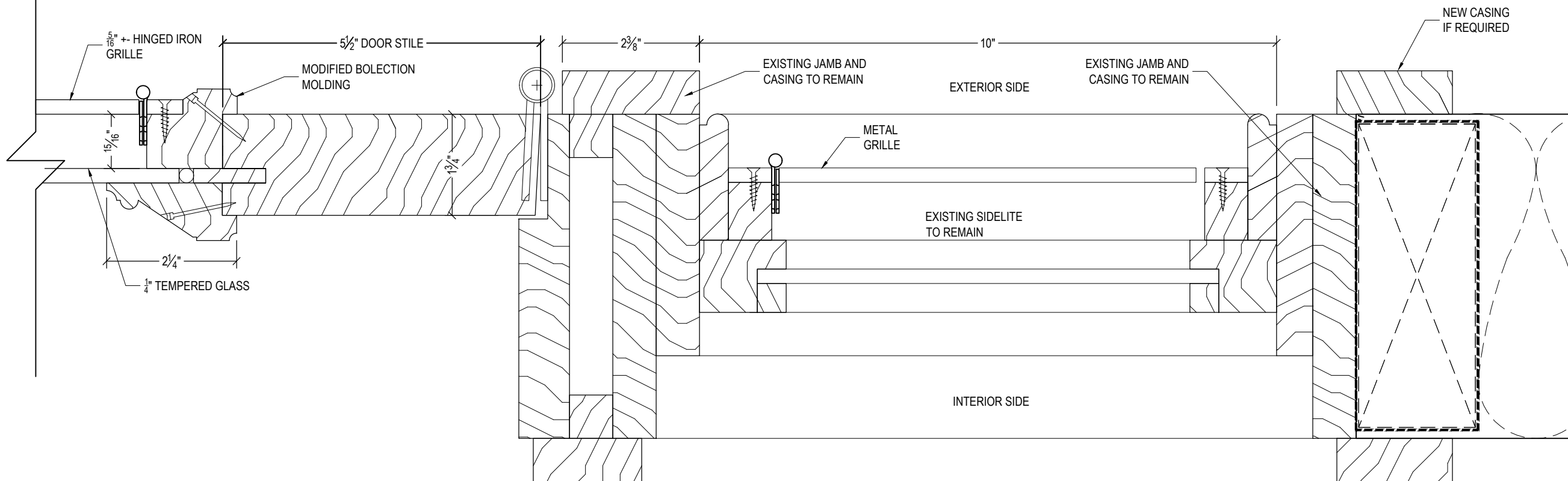


3 SECTION VIEW @ ENTRY DOOR
 SCALE: 1"=1'-0" ARCH REF: N/A

MATERIALS			
WOOD:	TBD		
WOOD VENEER:	TBD		
DOOR PANEL CORE:	MR50 MDF		
HARDWARE			
HINGES:	TBD		
DOOR BOTTOM:	TBD		
GLASS			
DOOR GLASS:	3/4" TEMPERED GLASS		
FINISHES			
FINISH TO MATCH APPROVED SAMPLE			
EA Custom Millwork 76 Sutton St PO Box 507 Northbridge, MA 01534 www.eacustommillwork.com everett@eacustommillwork.com			
SUBMITTAL			
SUBMITTAL (REVISED)			
LATE REVISION			
Since wood is a natural material, variations in color, texture, & grain may occur. (See AW section 100) architectural millwork is a finish trade & installation should follow other trades in a controlled environment. Damage by other trades or from being subject to extreme conditions (relative humidity below 25% or above 55%) will result in additional costs and or void the warranty. (See AW section 1700)			
64 COMMONWEALTH AVE.			
DESIGN		CONTRACTOR	
EA		EA	
DATE	DRAWN BY	JOB #	SHEET
05-16-24	MDS		2 of 4
SCALE	AS NOTED		

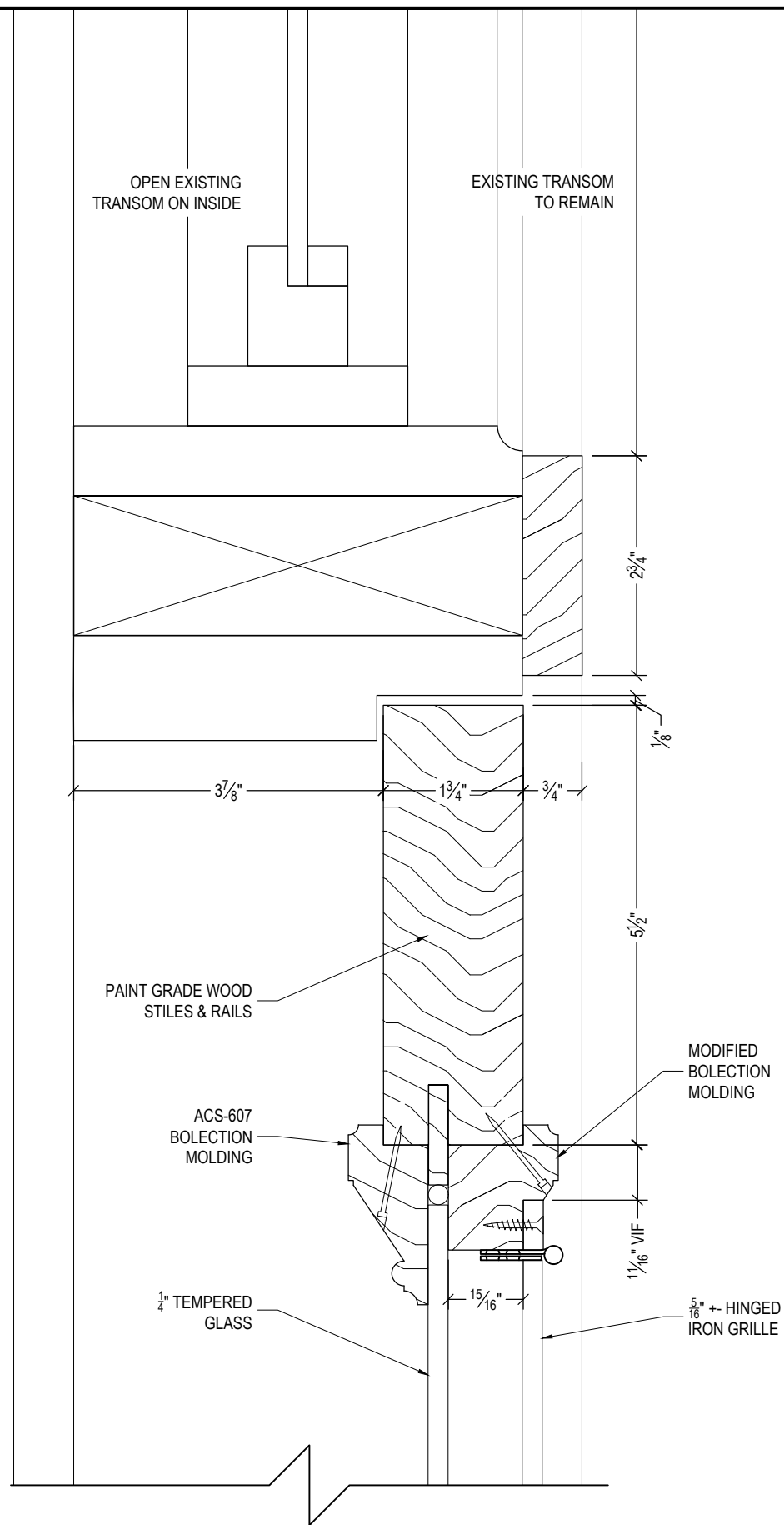


D1 DETAIL @ ENTRY DOOR
 SCALE: 6"=1'-0" ARCH REF: N/A

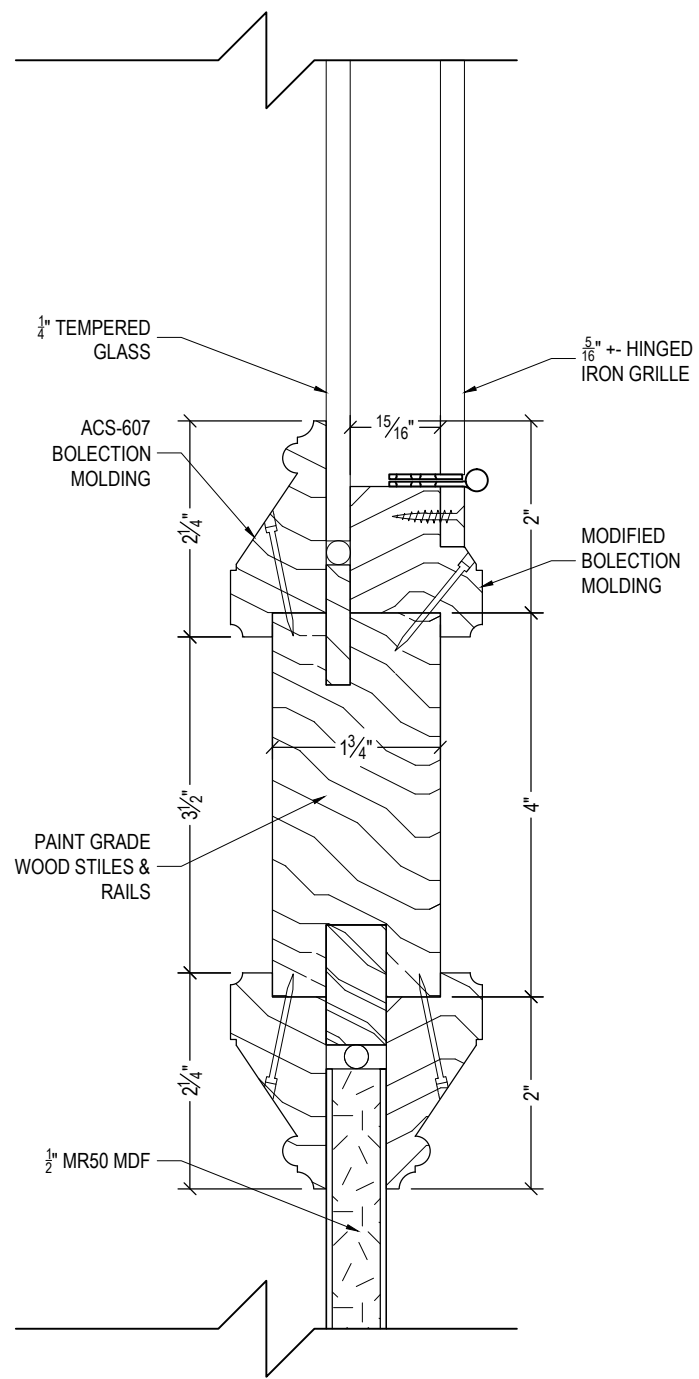


D2 DETAIL @ ENTRY DOOR - HINGE SIDE
 SCALE: 6"=1'-0" ARCH REF: N/A

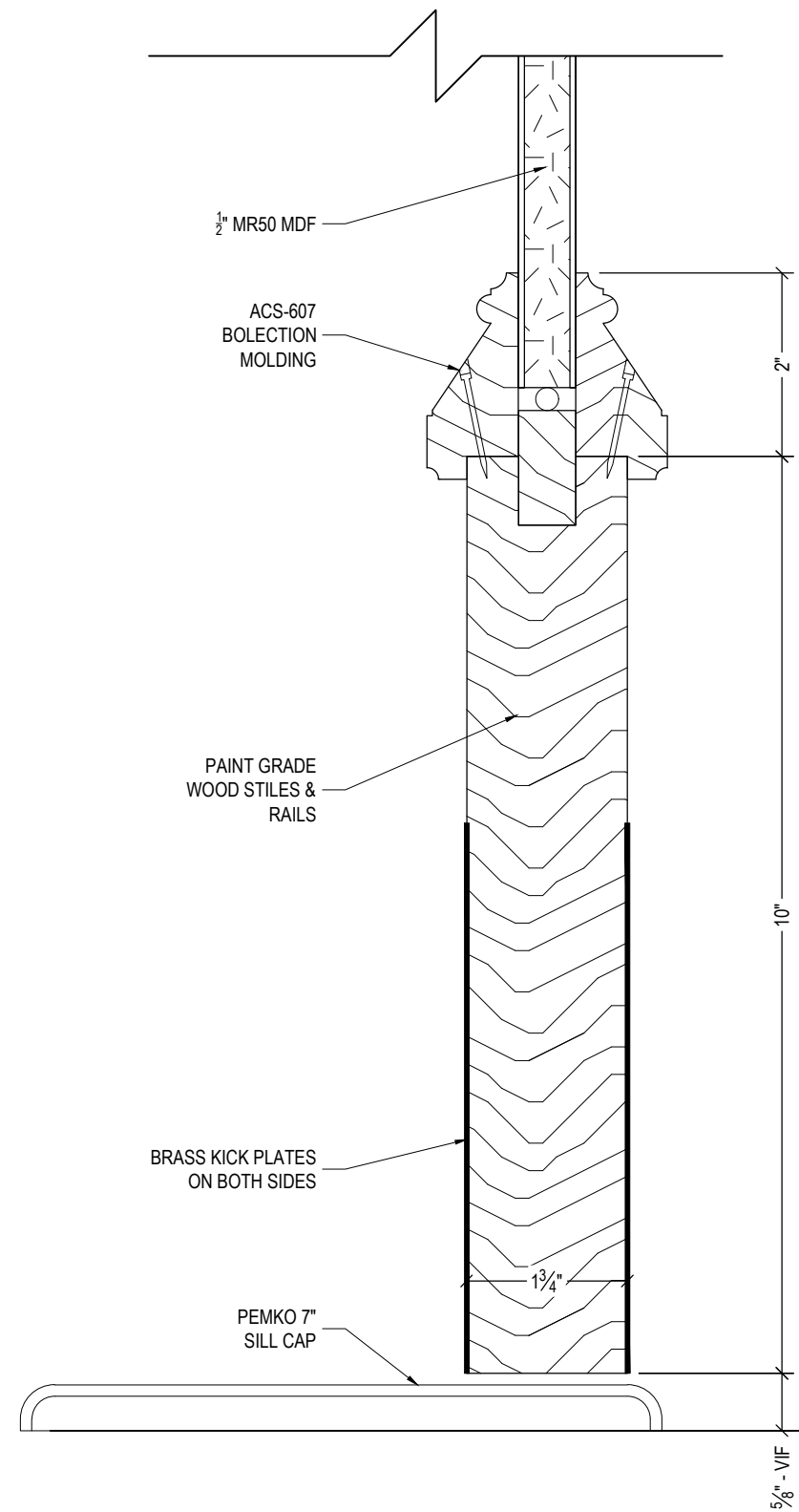
MATERIALS			
WOOD:	TBD		
WOOD VENEER:	TBD		
DOOR PANEL CORE:	MR50 MDF		
HARDWARE			
HINGES:	TBD		
DOOR BOTTOM:	TBD		
GLASS			
DOOR GLASS:	1/4" TEMPERED GLASS		
FINISHES			
FINISH TO MATCH APPROVED SAMPLE			
EA Custom Millwork 76 Sutton St PO Box 507 Northbridge, MA 01534 www.eacustommillwork.com everett@eacustommillwork.com			
SUBMITTAL			
SUBMITTAL (REVISED)			
LATE REVISION			
Since wood is a natural material, variations in color, texture, & grain may occur. (See AWI section 100) architectural millwork is a finish trade & installation should follow other trades in a controlled environment. Damage by other trades or from being subject to extreme conditions (relative humidity below 25% or above 55%) will result in additional costs and or void the warranty. (See AWI section 1700)			
64 COMMONWEALTH AVE.			
DESIGN		CONTRACTOR	
EA		EA	
DATE	DRAWN	JOB #	SHEET
05-16-24	BY MDS		3 of 4
SCALE	AS NOTED		



D4 DETAIL @ ENTRY DOOR
SCALE: 1"=1'-0" ARCH REF: N/A



D5 DETAIL @ ENTRY DOOR
SCALE: 1"=1'-0" ARCH REF: N/A



D6 DETAIL @ ENTRY DOOR
SCALE: 1"=1'-0" ARCH REF: N/A

MATERIALS			
WOOD:	TBD		
WOOD VENEER:	TBD		
DOOR PANEL CORE:	MR50 MDF		
HARDWARE			
HINGES:	TBD		
DOOR BOTTOM:	TBD		
GLASS			
DOOR GLASS:	1/2" TEMPERED GLASS		
FINISHES			
FINISH:	FINISH TO MATCH APPROVED SAMPLE		
EA Custom Millwork 76 Sutton St PO Box 507 Northbridge, MA 01534 www.eacustommillwork.com everett@eacustommillwork.com			
SUBMITTAL			
SUBMITTAL (REVISED)			
LATE REVISION			
Since wood is a natural material, variations in color, texture, & grain may occur. (See AWI section 100) architectural millwork is a finish trade & installation should follow other trades in a controlled environment. Damage by other trades or from being subject to extreme conditions (relative humidity below 25% or above 55%) will result in additional costs and or void the warranty. (See AWI section 1700)			
64 COMMONWEALTH AVE.			
DESIGN		CONTRACTOR	
EA		EA	
DATE	DRAWN BY	JOB #	SHEET
05-16-24	MDS		4 of 4
SCALE	AS NOTED		