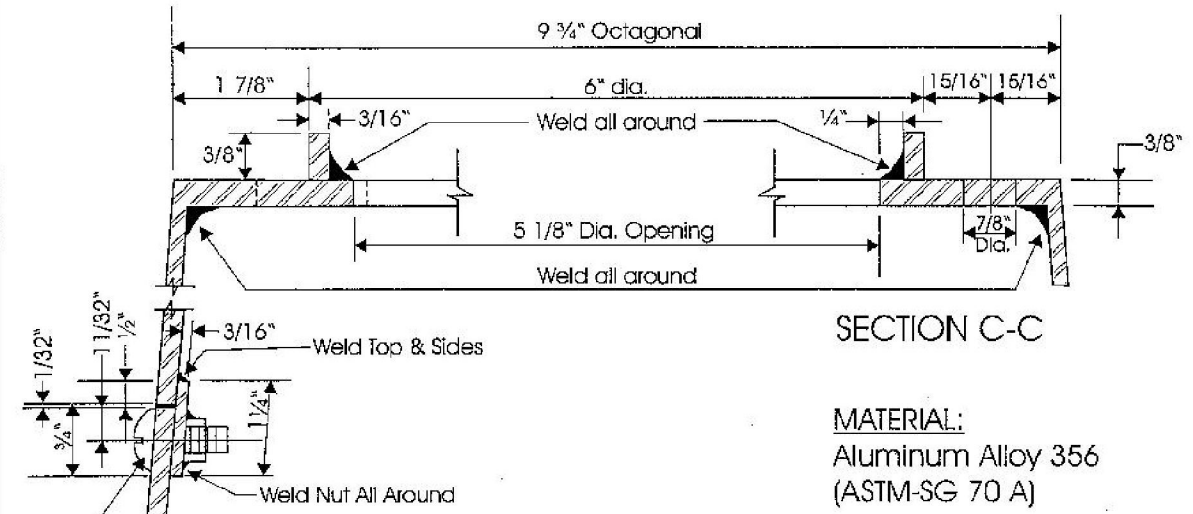
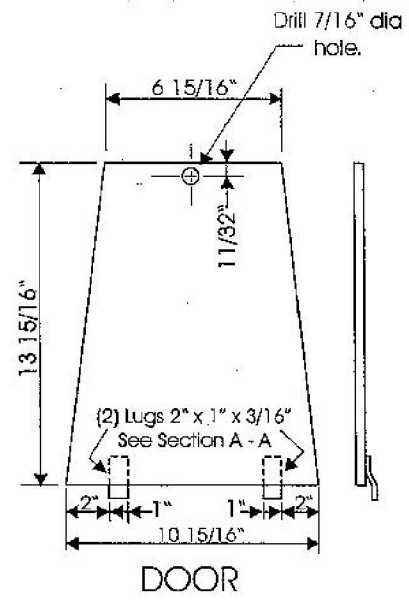
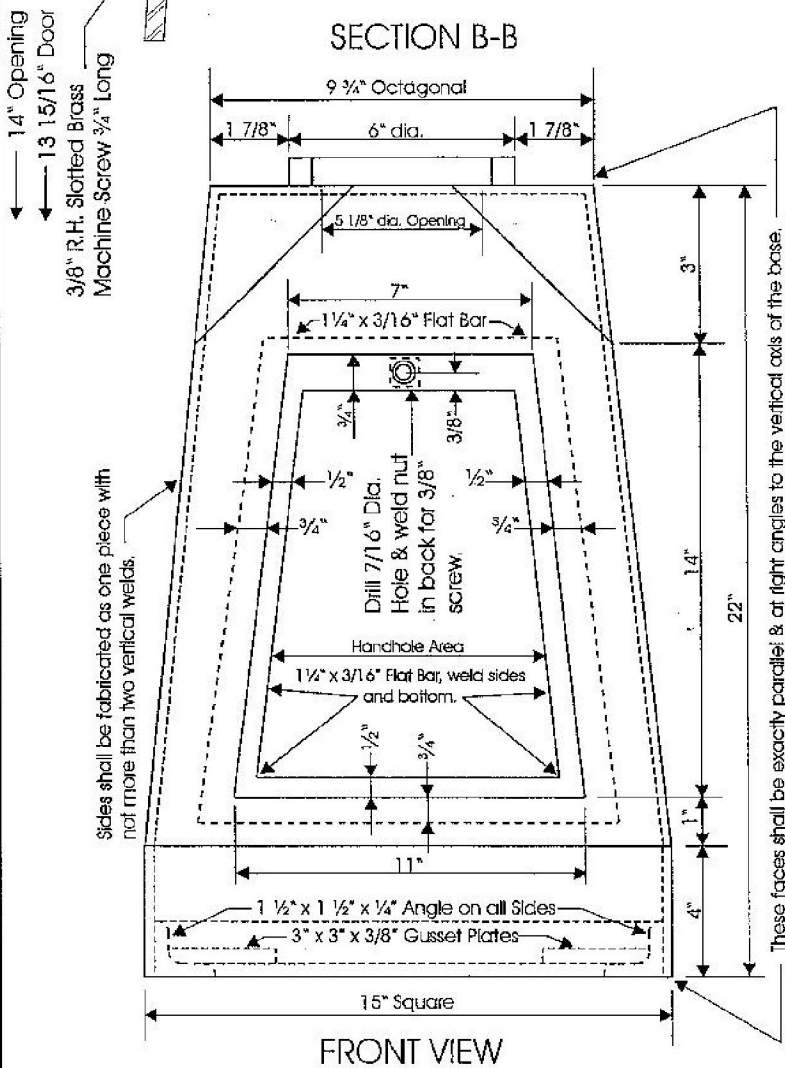


PEDESTAL BASE for Standard Traffic Signal Post



SECTION C-C

MATERIAL:
Aluminum Alloy 356
(ASTM-SG 70 A)



NOT TO SCALE

A15
Part #2

3-11-97