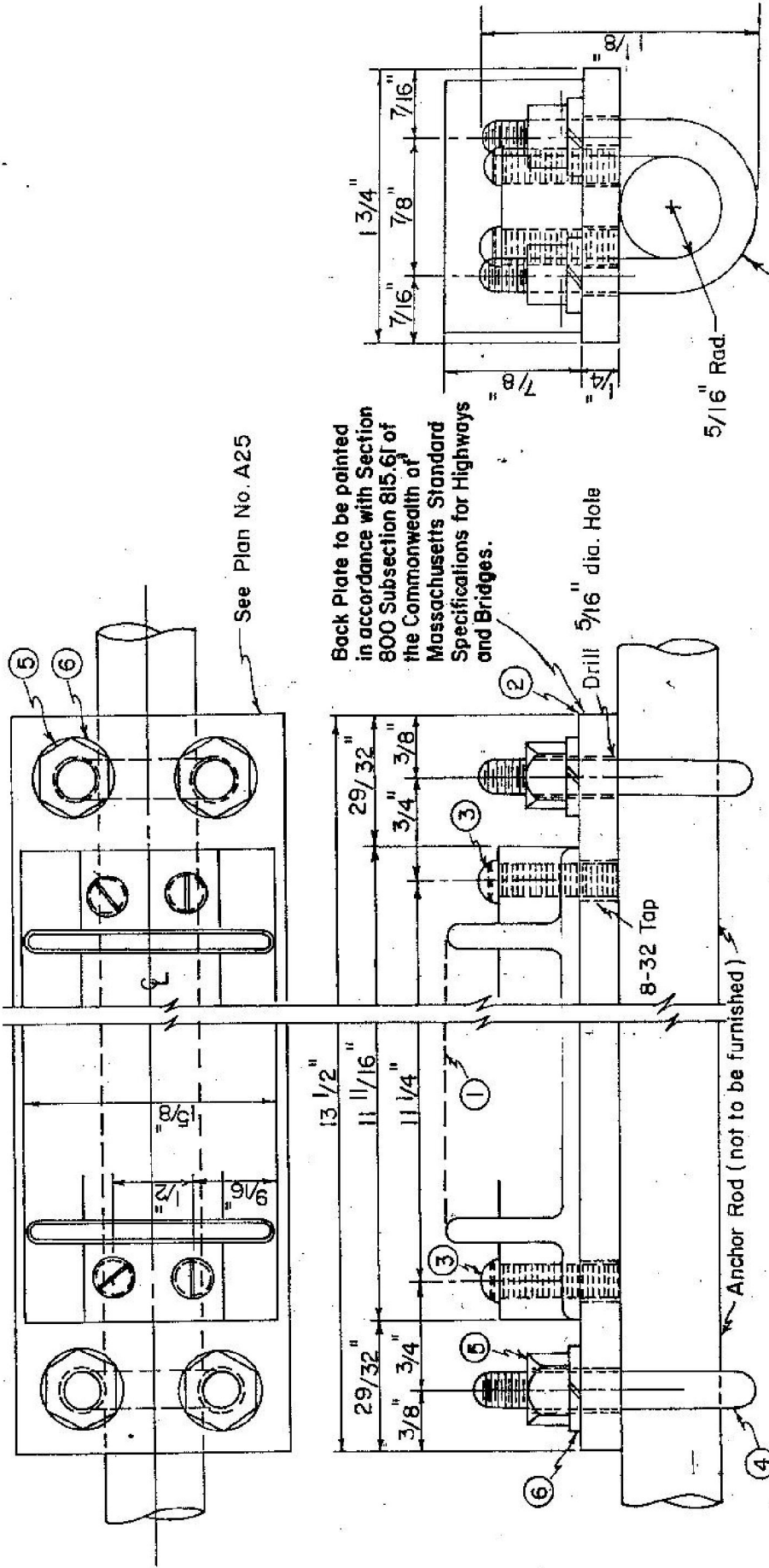


Date: Aug. 23, 1971 Revised: March 5, 1990

# 19 WIRE TERMINAL BLOCK WITH ACCESSORIES



See Plan No. A25

Back Plate to be painted in accordance with Section 800 Subsection 815.61 of the Commonwealth of Massachusetts Standard Specifications for Highways and Bridges.

5/16" Rad.  
1/4" Brass "U" Bolt - 1/4" - 20 Threaded each end 7/8" long

BILL OF MATERIAL			
No.	Name	Qty.	Material
1	19 Conductor Terminal Block	1	
2	Back Plate	1	Steel
3	8 - 32x3/4" Binding Hd. Screws	4	Brass
4	1/4" - 20 "U" Bolts	2	Brass
5	1/4" - 20 Hex. Nuts	4	Brass
6	1/4" Lockwashers	4	Steel

A261

Scale: Full